



US00D716129S

(12) **United States Design Patent**
Kashiwaguma et al.

(10) **Patent No.:** **US D716,129 S**
(45) **Date of Patent:** **** Oct. 28, 2014**

(54) **HINGE FOR FURNITURE**

(75) Inventors: **Kazuaki Kashiwaguma**, Tokyo (JP);
Mitsuru Sugiura, Tokyo (JP)

(73) Assignee: **Sugatsune Kogyo Co., Ltd.**, Tokyo (JP)

(**) Term: **14 Years**

(21) Appl. No.: **29/418,196**

(22) Filed: **Apr. 13, 2012**

(30) **Foreign Application Priority Data**

Oct. 14, 2011 (JP) 2011-023685

(51) **LOC (10) Cl.** **08-06**

(52) **U.S. Cl.**
USPC **D8/323**

(58) **Field of Classification Search**

CPC E05Y 2900/20; E05Y 7/0407; E05Y
2003/166; E05O 5/065; E05O 7/123
USPC D8/323, 328, 324, 325, 327, 331, 336,
D8/338, 329, 402, 355, 356; D16/334;
D3/905; 4/236, 240; 16/309, 235, 275,
16/244, 379, 390, 241, 238, 245, 236, 243,
16/242, 385, 225, 250; 49/381

See application file for complete search history.

(56) **References Cited**

U.S. PATENT DOCUMENTS

D140,298 S * 2/1945 Wilson D8/323
D611,337 S * 3/2010 Hasegawa D8/402
D611,338 S * 3/2010 Suzuki et al. D8/402
D633,366 S * 3/2011 Hasegawa et al. D8/329
D633,773 S * 3/2011 Yamanaka D8/323
2011/0131885 A1 * 6/2011 Ajiki et al. 49/386
2011/0204072 A1 * 8/2011 Sugawara et al. 220/810

2012/0000130 A1 * 1/2012 Kashiwaguma 49/348
2013/0026114 A1 * 1/2013 Kashiwaguma 211/27
2013/0026318 A1 * 1/2013 Kashiwaguma 248/213.2
2013/0031746 A1 * 2/2013 Hasegawa et al. 16/50

* cited by examiner

Primary Examiner — Deanna L Pratt

Assistant Examiner — Lilyana Bekic

(74) *Attorney, Agent, or Firm* — Osha Liang LLP

(57) **CLAIM**

The ornamental design for a hinge for furniture, as shown and described.

DESCRIPTION

FIG. 1 is a perspective view of the top, front and right side of a hinge for furniture showing my (our) new design;
FIG. 2 is a perspective view of the top, rear and left side thereof;
FIG. 3 is a front view thereof;
FIG. 4 is a rear view thereof;
FIG. 5 is a left side view thereof;
FIG. 6 is a right side view thereof;
FIG. 7 is a top plan view thereof;
FIG. 8 is a bottom view thereof;
FIG. 9 is a cross-sectional view thereof;
FIG. 10 is a partially enlarged view thereof, at the call-out box shown in FIG. 6;
FIG. 11 is a front view thereof, where an arm portion is rotated; and,
FIG. 12 is a perspective view thereof, in a position of use.
The broken lines in the drawings illustrate portions of the hinge for furniture which form no part of the claimed design.

1 Claim, 9 Drawing Sheets

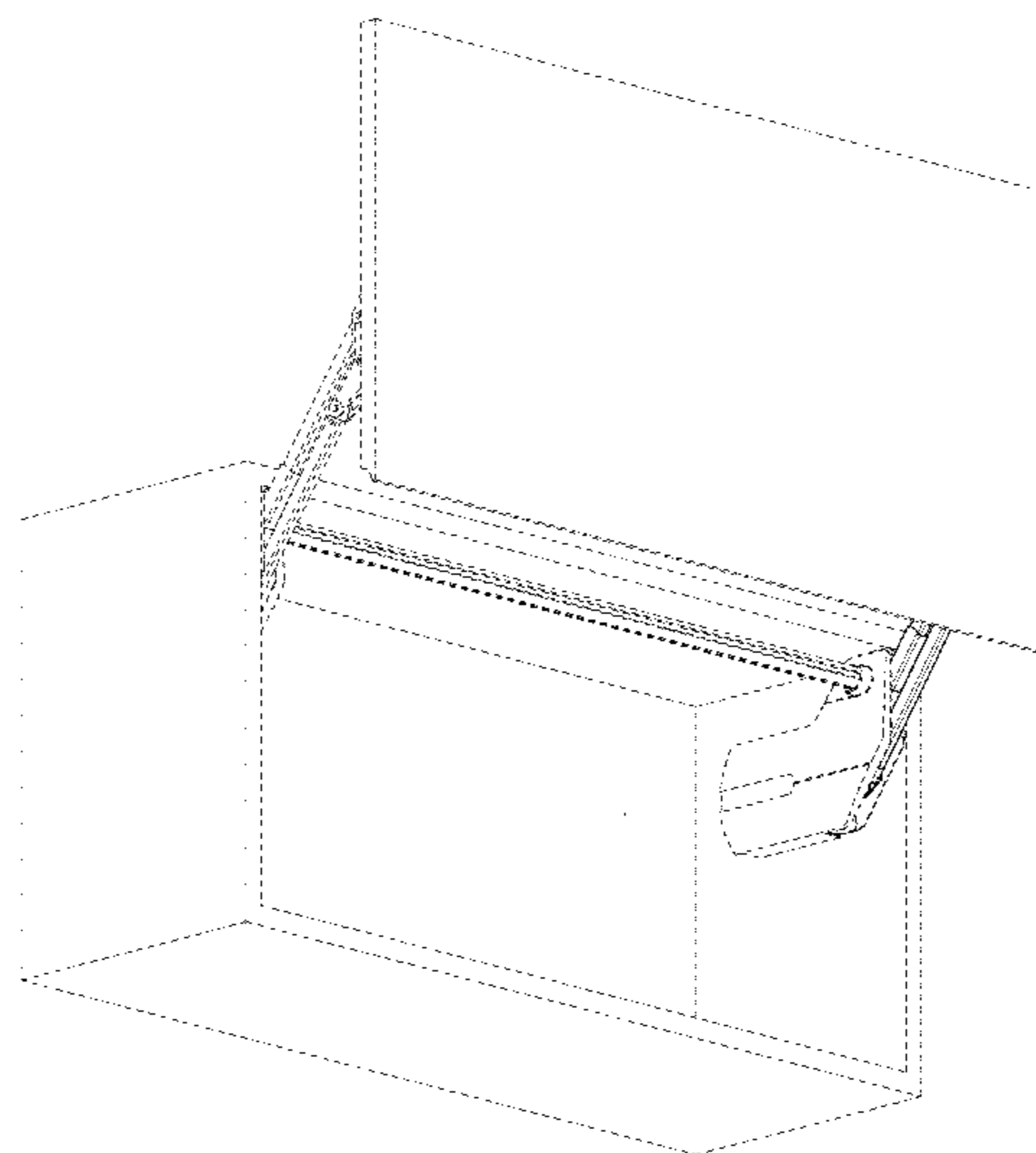
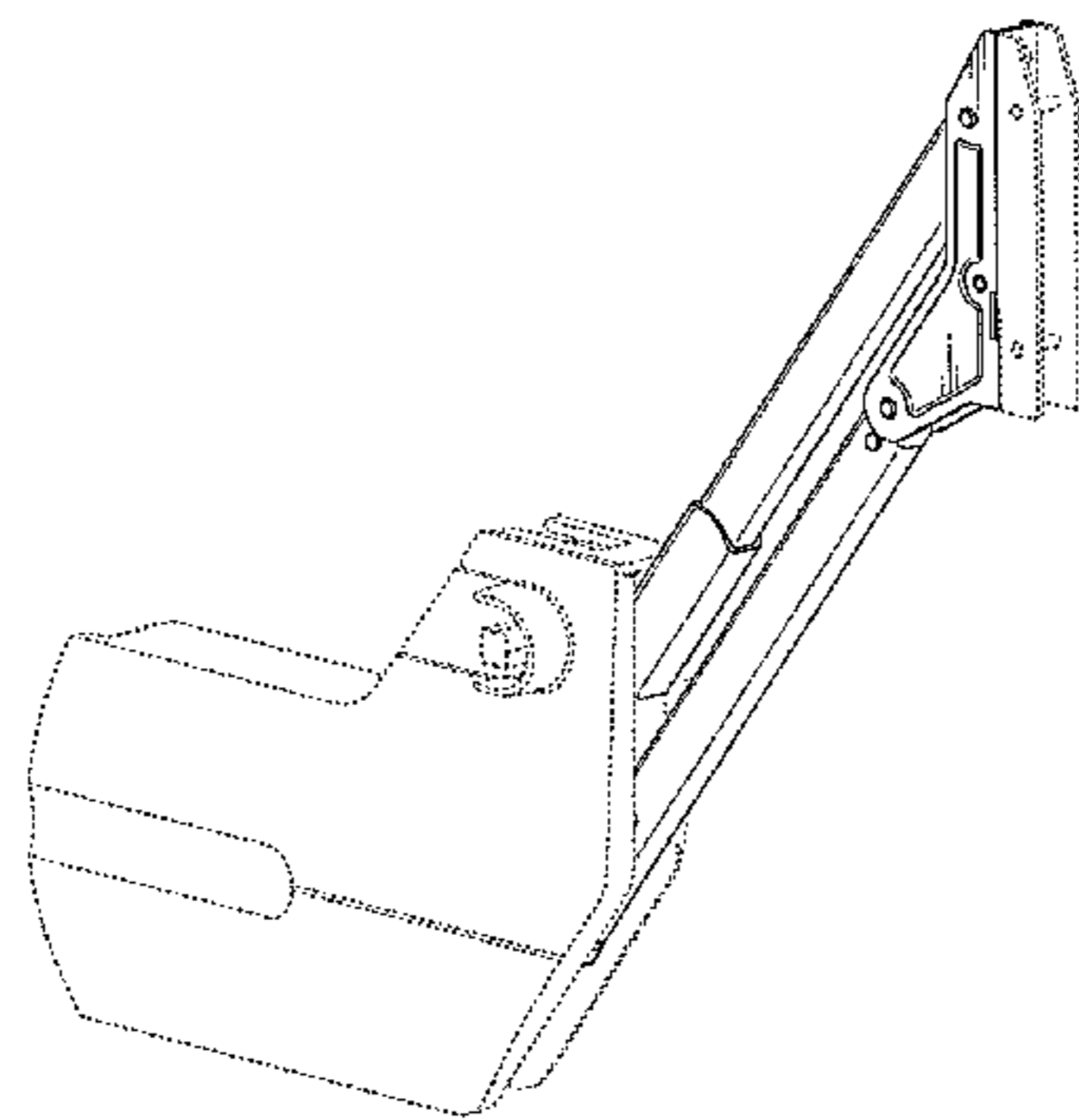


Fig. 1

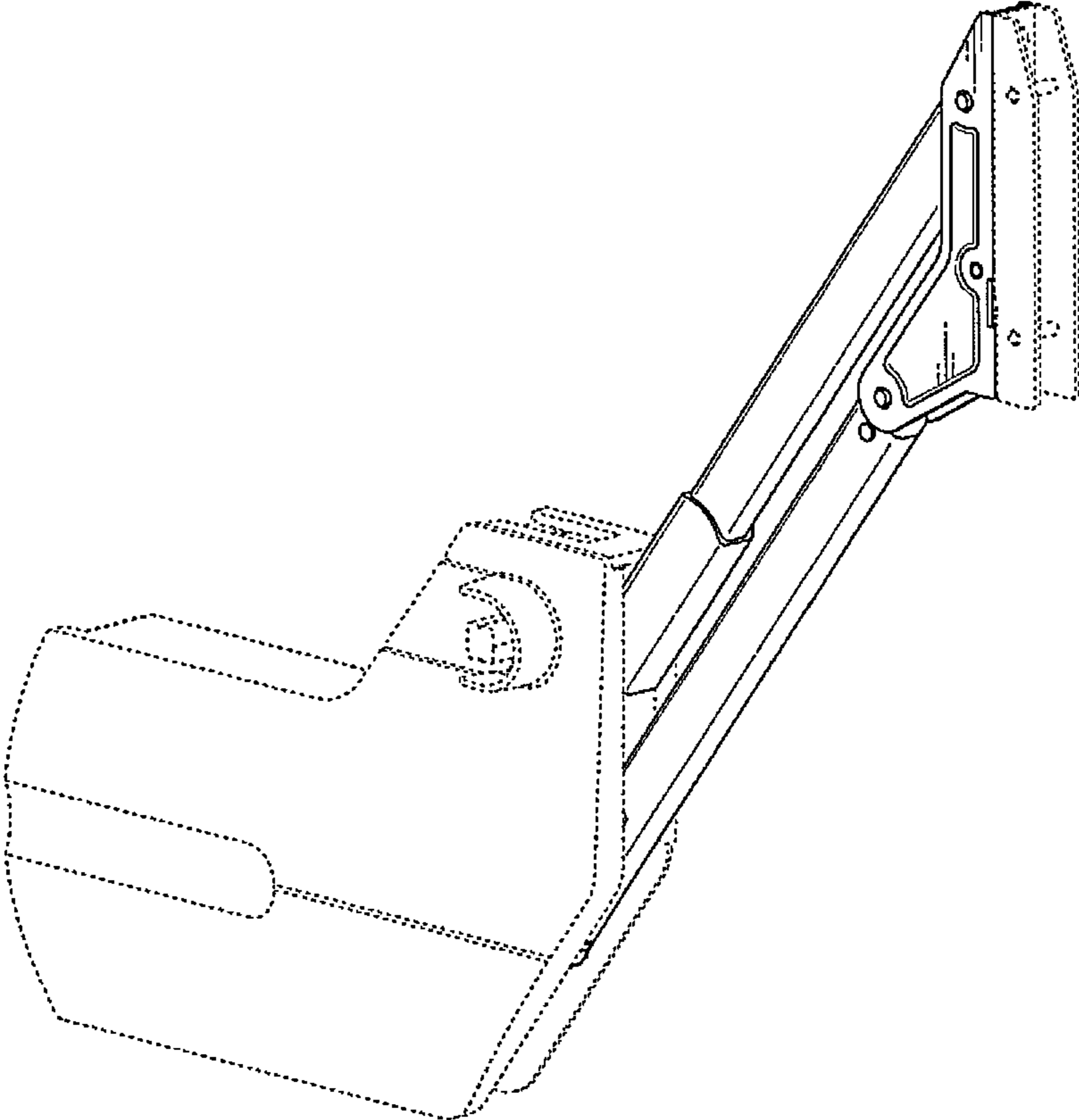


Fig. 2

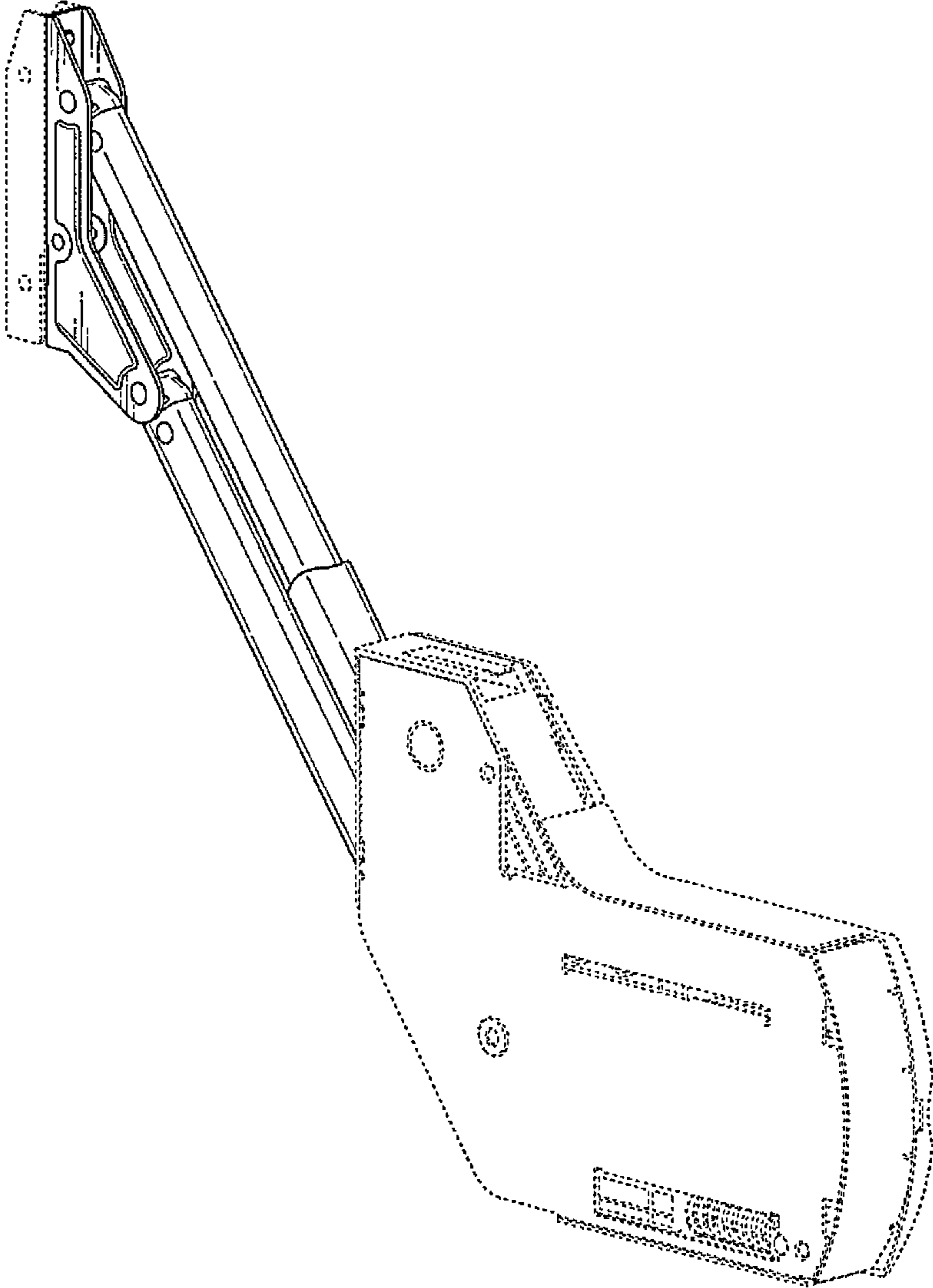


Fig. 3

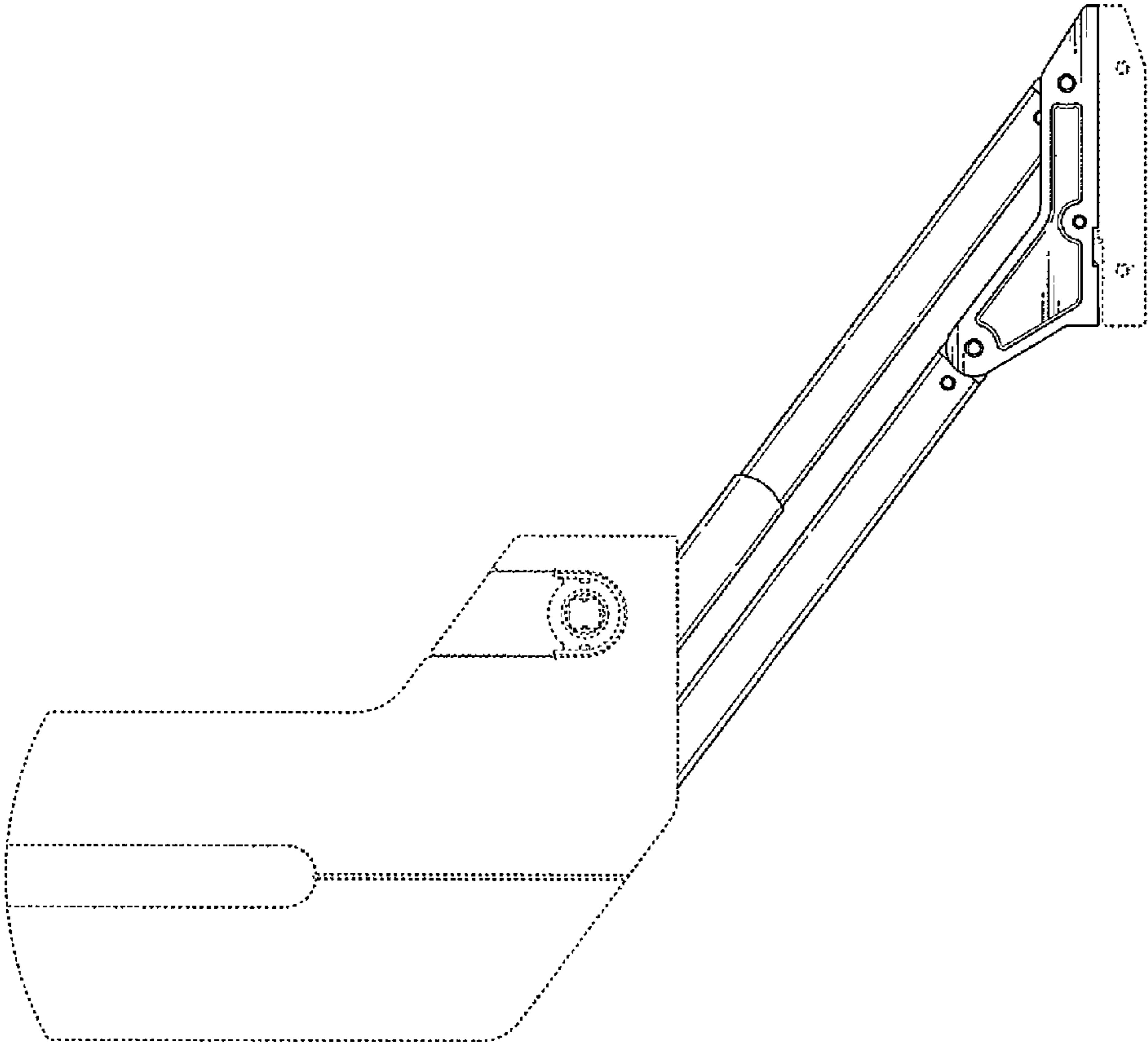


Fig. 4

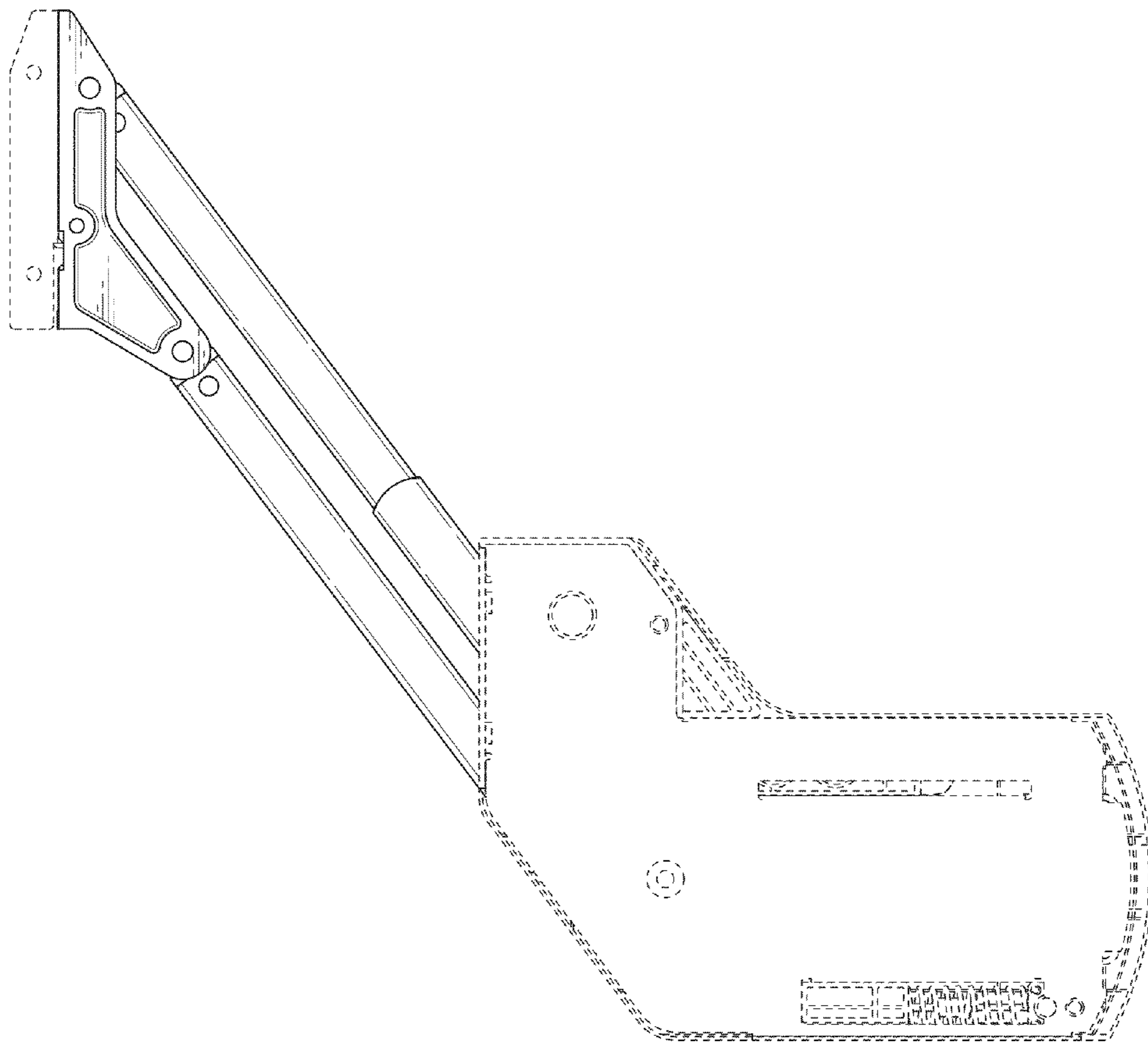


Fig. 5

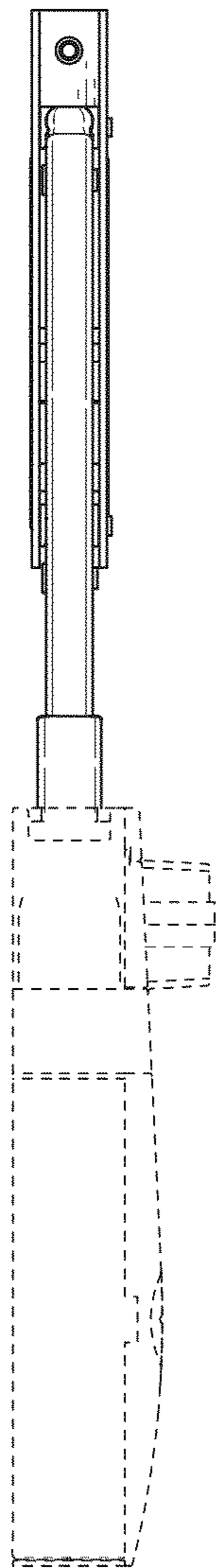


Fig. 6

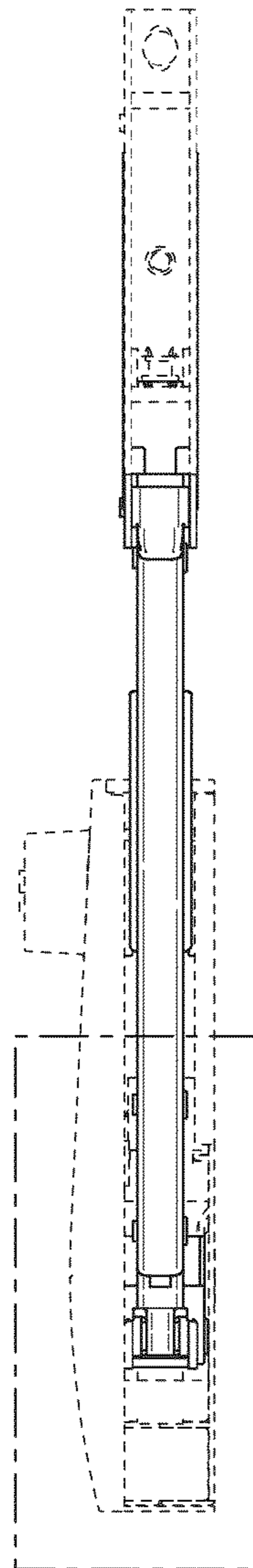


Fig. 7

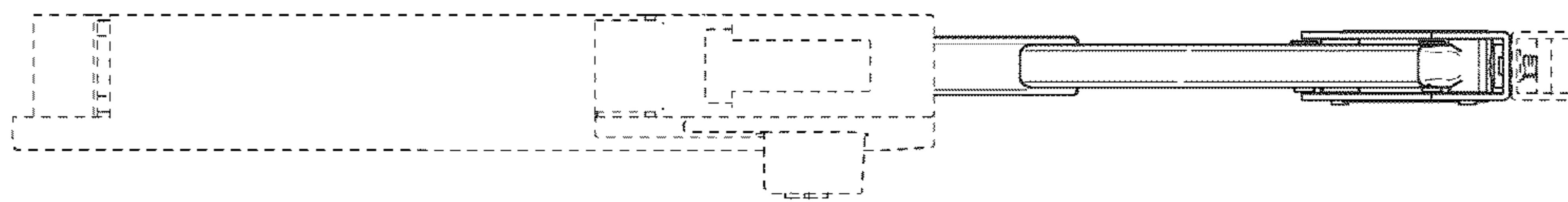


Fig. 8

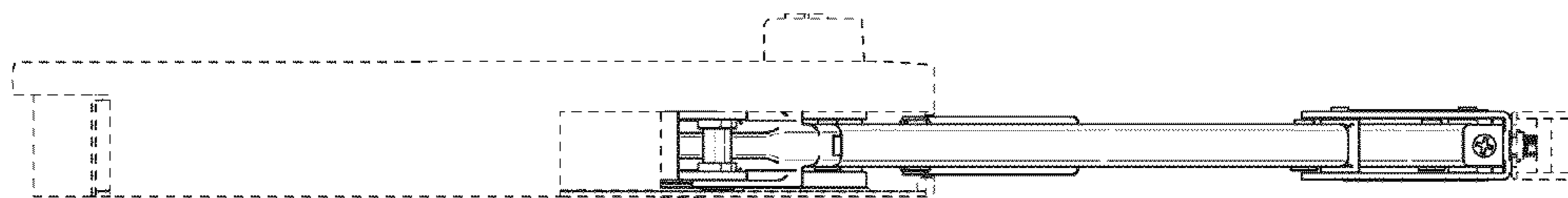


Fig. 9

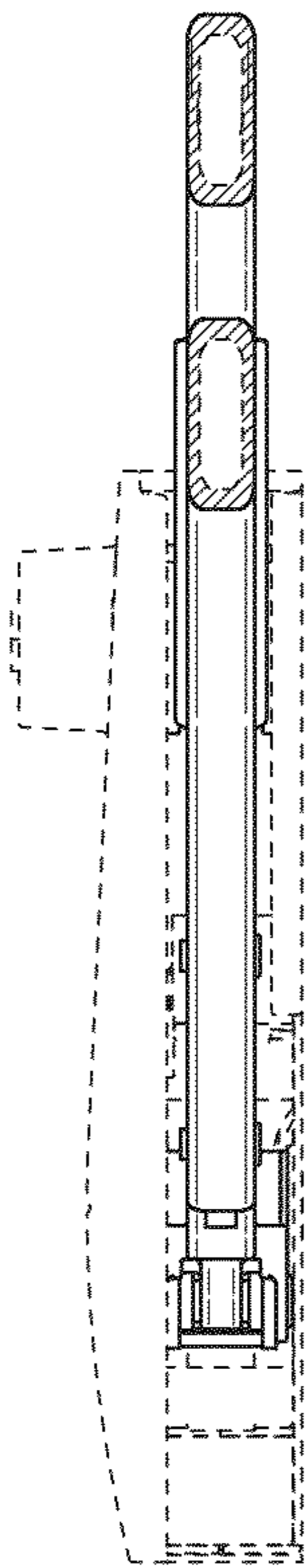


Fig. 10

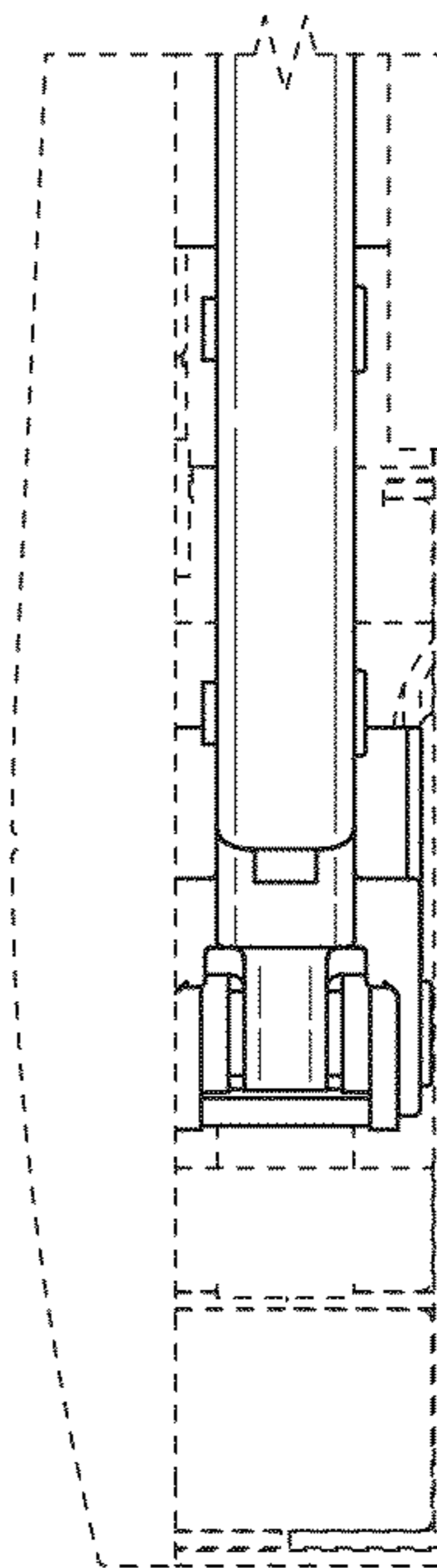


Fig. 11

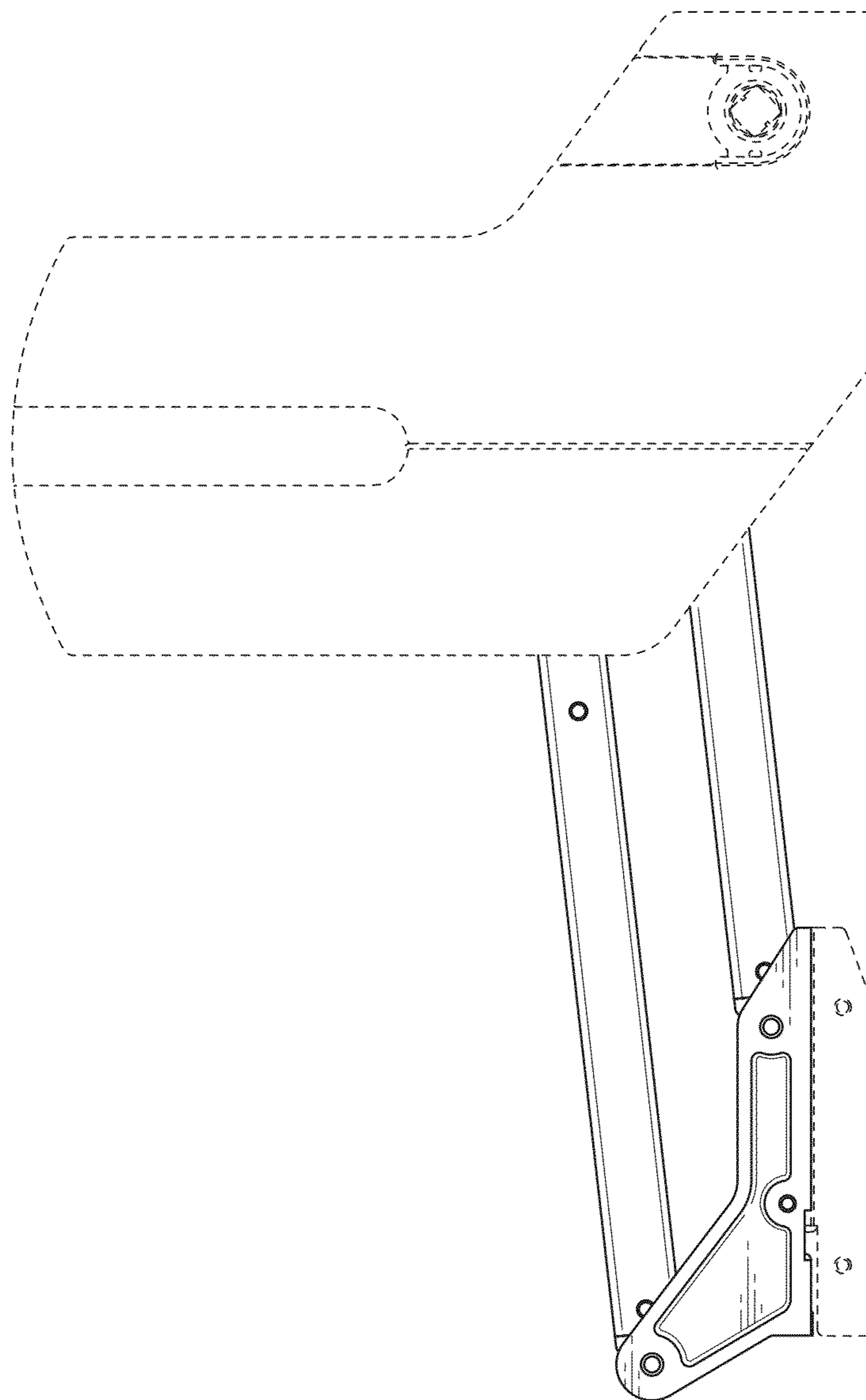


Fig. 12

