



US00D716125S

(12) **United States Design Patent**
Yaschur

(10) **Patent No.:** **US D716,125 S**

(45) **Date of Patent:** **** Oct. 28, 2014**

(54) **IMPACT WRENCH**

(71) Applicant: **Ingersoll-Rand Company**, Davidson,
NC (US)

(72) Inventor: **Jefferey Clifford Yaschur**, Doylestown,
PA (US)

(73) Assignee: **Ingersoll-Rand Company**, Davidson,
NC (US)

(**) Term: **14 Years**

(21) Appl. No.: **29/475,691**

(22) Filed: **Dec. 5, 2013**

(51) **LOC (10) Cl.** **08-03**

(52) **U.S. Cl.**
USPC **D8/68**

(58) **Field of Classification Search**
USPC 11/61, 67, 68; 81/57.4, 489; 173/48,
173/109, 170, 178, 217; 408/124, 125;
362/119; 475/149

See application file for complete search history.

(56) **References Cited**

U.S. PATENT DOCUMENTS

D339,726 S	9/1993	Bruno et al.	
D388,678 S	1/1998	Bantly et al.	
D393,580 S	4/1998	Bantly et al.	
D393,581 S	4/1998	McCallops et al.	
D434,297 S	11/2000	Iritani et al.	
D489,240 S	5/2004	Bartfeld et al.	
D497,529 S	10/2004	Price	
D505,055 S *	5/2005	Nagasaka et al.	D8/68
D508,642 S *	8/2005	Kokawa et al.	D8/68
D534,048 S *	12/2006	Tsai et al.	D8/68
D565,375 S *	4/2008	Shi	D8/68
D571,177 S	6/2008	Price et al.	
D584,124 S	1/2009	Price et al.	
D585,714 S *	2/2009	Okuda et al.	D8/68
D590,680 S	4/2009	Cole et al.	

D592,479 S	5/2009	Price et al.	
D596,007 S	7/2009	Price et al.	
D614,468 S *	4/2010	Aglassinger	D8/68
D617,622 S *	6/2010	Lopano	D8/68
D655,994 S *	3/2012	Schoch	D8/68
D656,804 S *	4/2012	Murray	D8/68

(Continued)

OTHER PUBLICATIONS

“Ingersoll Rand—2135TiMAX ½" Air Impactool—Maximum Impact”. Ingersoll Rand Products., Aug. 3, 2007 [online]. [retrieved on Mar. 10, 2014]. Retrieved from the Internet <URL: http://www.ingersollrandproducts.com/2135timax/downloads/IRPS0295_2135_spec10_VSS.pdf>.*

(Continued)

Primary Examiner — Philip S Hyder

Assistant Examiner — Darlington Ly

(74) *Attorney, Agent, or Firm* — Barnes & Thornburg LLP

(57) **CLAIM**

The ornamental design for an impact wrench, as shown and described.

DESCRIPTION

FIG. 1 is a front perspective view of a design of an impact wrench;

FIG. 2 is a front elevation view of the impact wrench of FIG. 1;

FIG. 3 is a rear elevation view of the impact wrench of FIG. 1;

FIG. 4 is a side elevation view of the impact wrench of FIG. 1;

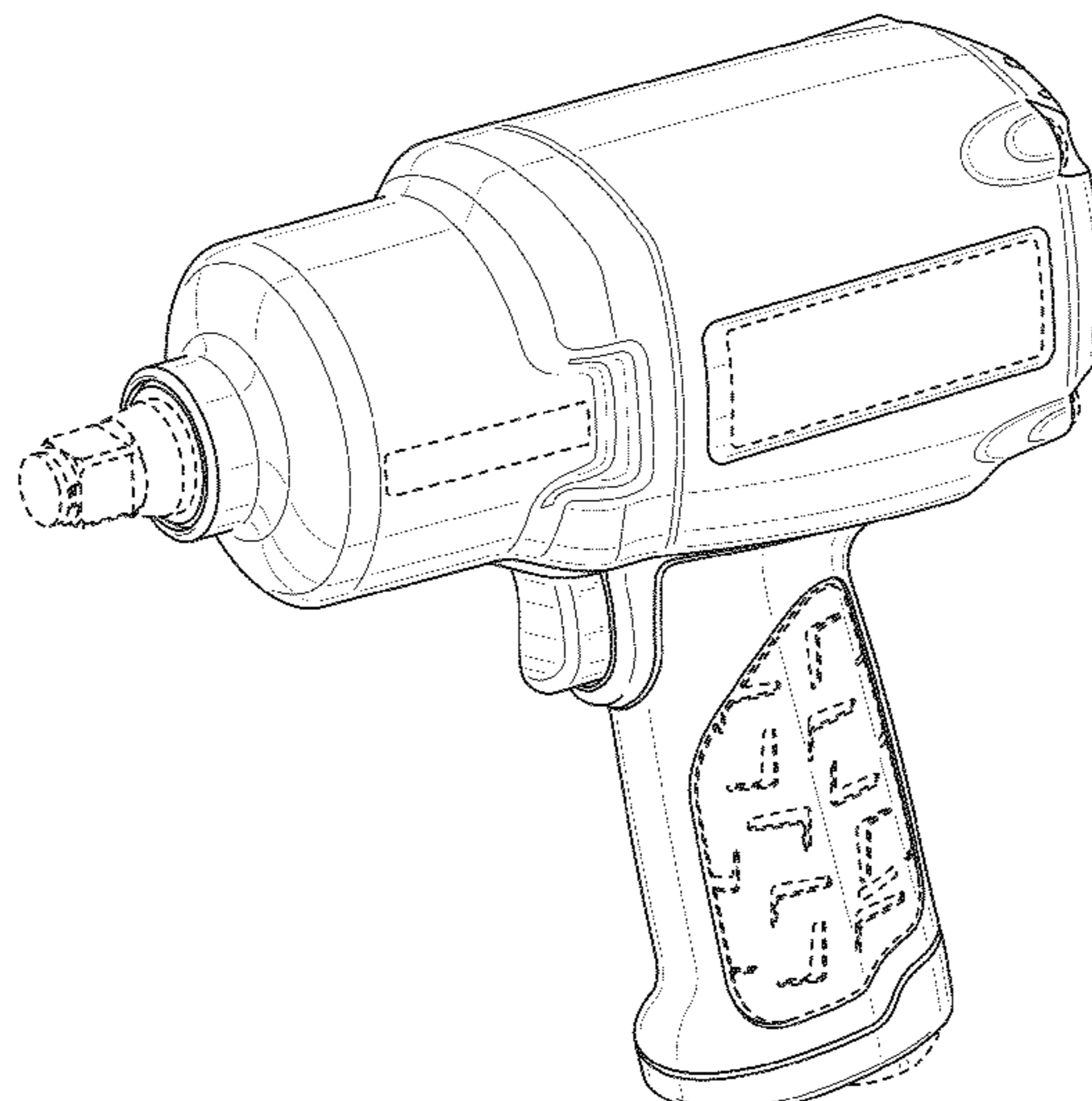
FIG. 5 is an opposing side elevation view of the impact wrench of FIG. 1;

FIG. 6 is a top plan view of the impact wrench of FIG. 1; and,

FIG. 7 is a bottom plan view of the impact wrench of FIG. 1.

The broken lines shown in the drawings illustrate portions of the impact wrench that form no part of the claimed design.

1 Claim, 7 Drawing Sheets



(56)

References Cited

U.S. PATENT DOCUMENTS

D672,627	S	*	12/2012	Kawase et al.	D8/68
D677,136	S		3/2013	Davis	
D678,025	S		3/2013	Naksen et al.	
D691,444	S	*	10/2013	Tirone et al.	D8/68
2006/0102367	A1	*	5/2006	Etter et al.	173/218
2012/0061117	A1	*	3/2012	Nagasaka et al.	173/217

OTHER PUBLICATIONS

“Ingersoll Rand Air Impact Wrenches”. Fastenal.com., Mar. 23, 2007 [online], [retrieved on Mar. 10, 2014]. Retrieved from the Internet <URL: http://www.fastenal.com/catalog_pages/2007/5-74.pdf>.*

Ingersoll-Rand Co., “IQV20 Series Cordless Tools,” available at <http://www.ingersollrandproducts.com/am-en/products/tools/new-tools/IQV20-Cordless-Tools>, 2 pages.

Techway Industrial Co., “Impact Wrenches,” available at www.asianproducts.com/mcg/5641_A10810708932216_0_1/impact-wrenches.html, 2 pages.

Milwaukee Electric Tool Co., “M12 Fuel ¼" Hex Impact Driver,” available at <http://www.milwaukeetool.com/power-tools/cordless/2453-20>, 2 pages.

Milwaukee Electric Tool Co., “M12 Fuel ¼" Impact Wrench,” available at <http://www.milwaukeetool.com/power-tools/cordless/2452-20>, 2 pages.

Milwaukee Electric Tool Co., “M12 Fuel ⅜" Impact Wrench,” available at <http://www.milwaukeetool.com/power-tools/cordless/2454-20>, 2 pages.

Makita U.S.A., Inc., “Impact Drivers,” available at <http://www.makitausa.com/en-us/Modules/Tools/Default.aspx?CatID=5>, 2 pages.

Dewalt Industrial Tool Co., “DCF813S2 12V MAX* ⅜" Impact Wrench Kit,” available at <http://www.dewalt.com/tools/cordless-impact-driverswrenches-drivers--wrenches-dcf813s2.aspx>, 2 pages.

Dewalt Industrial Tool Co., “DCF815S2 12V MAX* ¼" Impact Driver Kit,” available at <http://www.dewalt.com/tools/cordless-impact-driverswrenches-drivers--wrenches-dcf815s2.aspx>, 2 pages.

Ingersoll-Rand Co., “W5001 Series 20V Mid-Torque Impacttools,” available at http://www.ingersollrandproducts.com/lpg/w7150/IRIT13003_W5001_Sniper_Industrial_Broch_8singles.pdf, 2013, 6 pages.

Matador GmbH, “Pneumatic Tools,” available at <http://www.matador.de/fileadmin/pdf/MATADOR%20E%2004%20Pneumat%20Tools.pdf>, 2012, 40 pages.

Ingersoll-Rand Co., “½" Impacttools / Impact Wrenches,” available at <http://www.ingersollrandproducts.com/am-en/products/tools/impacttools/maintenance-automotive-impacttools/1-2-drive>, 1 pages.

Ingersoll-Rand Co., “W7150 ½" 20V High-Torque Impacttool,” available at http://fileserv.ingersollrand.com/DocumentLibrary/IRIT12011_W7150Brochure_F3_LR_Warranty.pdf, 2012, 6 pages.

Ingersoll-Rand Co., “2135TiMAX Series / Impact Wrenches,” available at <http://www.ingersollrandproducts.com/am-en/products/tools/impacttools/maintenance-automotive-impacttools/1-2-drive/2135timax-series>.

“Ingersoll Rand Air Impact Wrenches”. Fastenal.com, Mar. 23, 2007 [online] [retrieved on Mar. 10, 2014]. Retrieved from the Internet, URL: http://www.fastenal.com/catalog_pages/2007/5-74.pdf>, 1 page.

“Ingersoll Rand—2135TiMAX ½" Air Impacttool—Maximum Impact”. Ingersoll Rand Products, Aug. 3, 2007 [online] [retrieved on Mar. 10, 2014]. Retrieved from the Internet, URL: http://www.ingersollrandproducts.com/2135timax/downloads/IRPS0295_2135_spec10_VSS.pdf>, 3 pages.

* cited by examiner

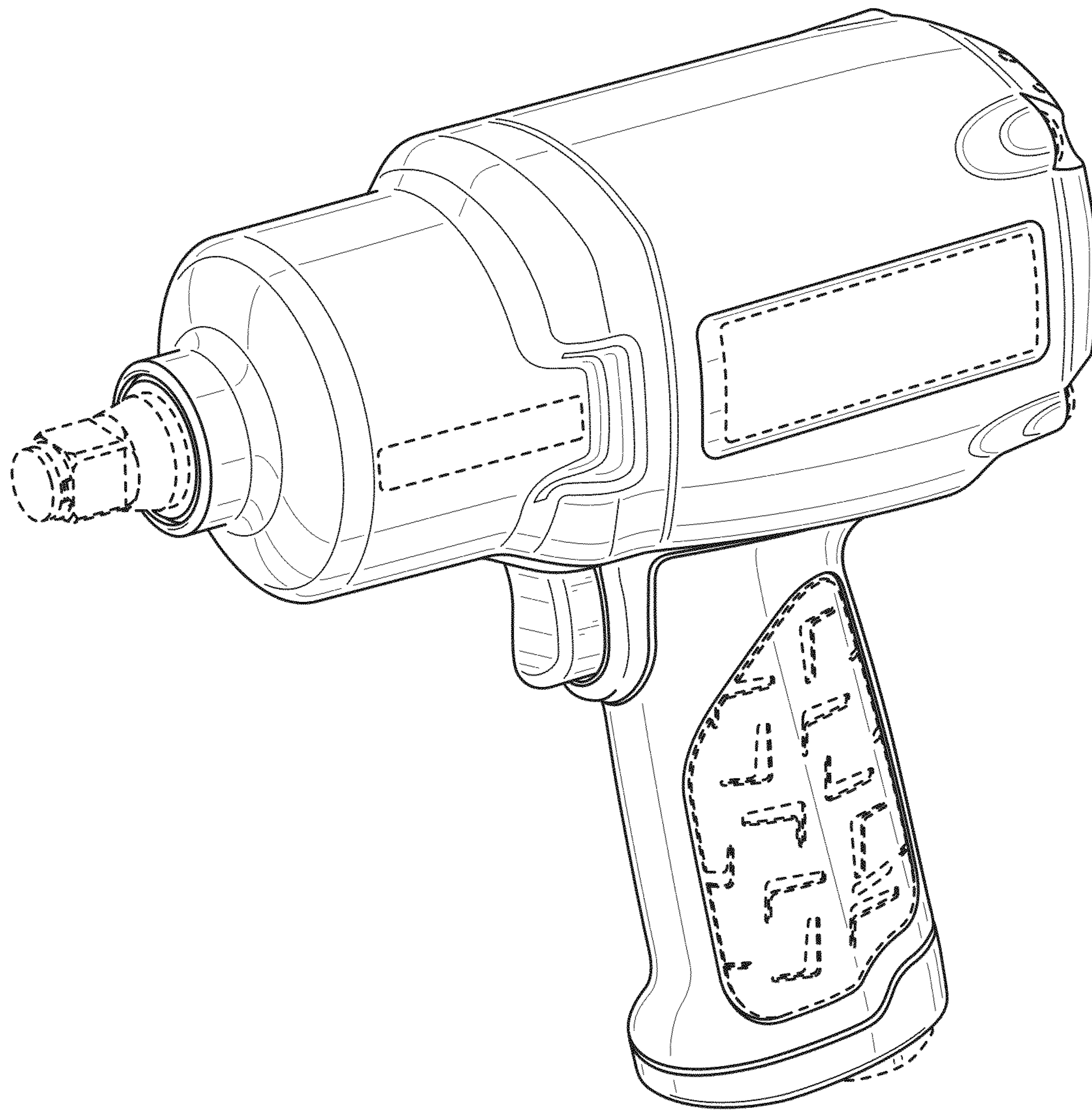


FIG. 1

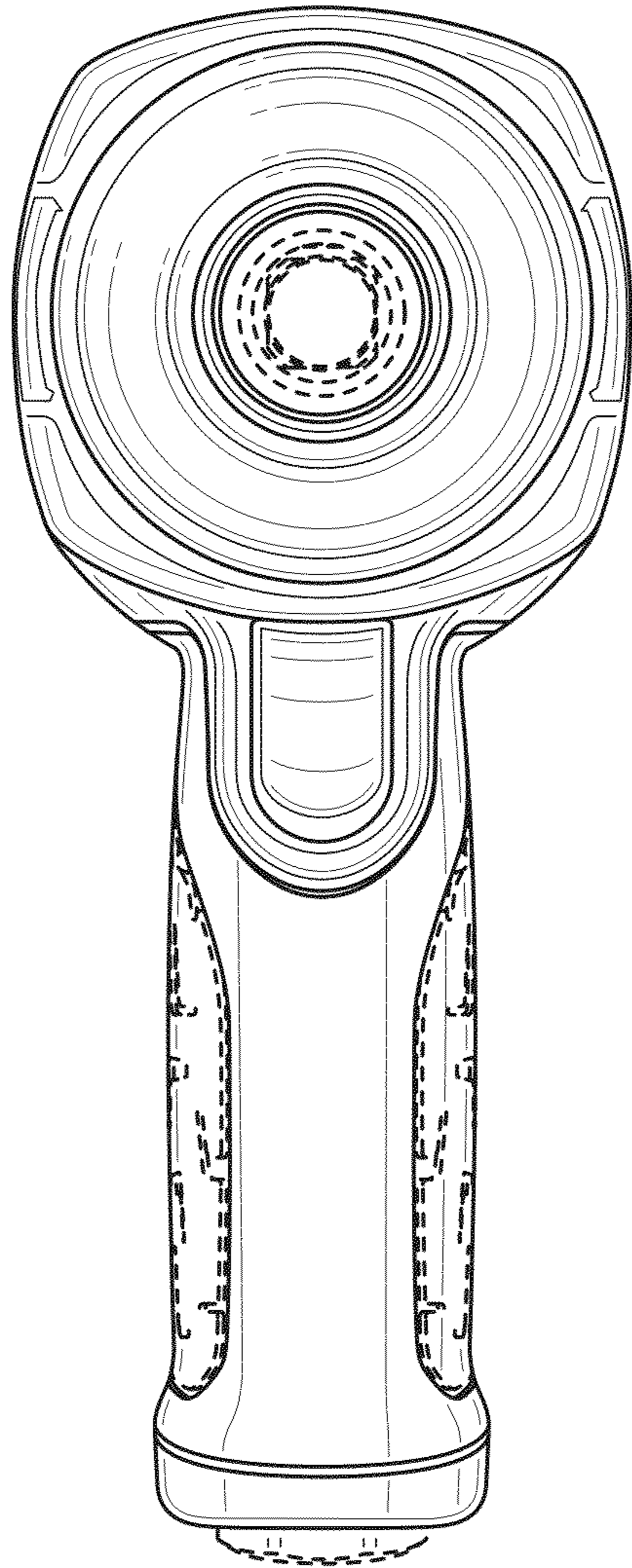


FIG. 2

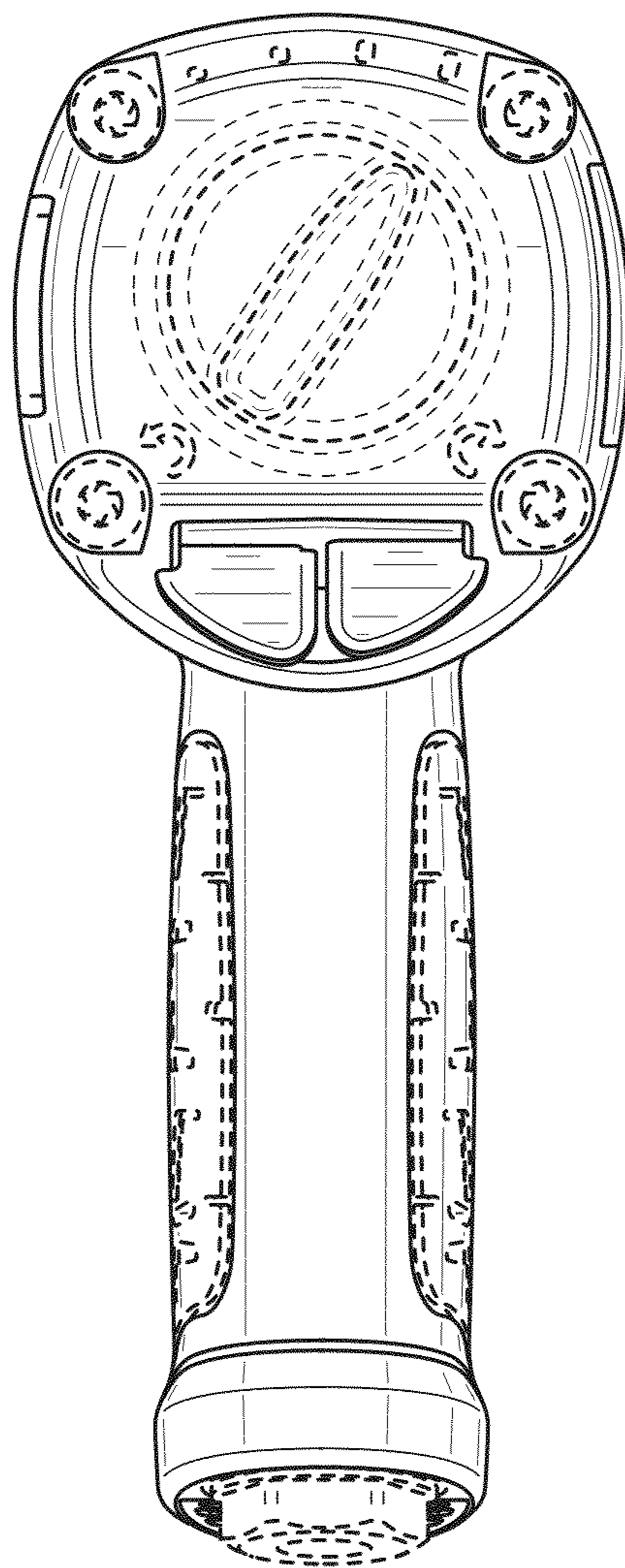


FIG. 3

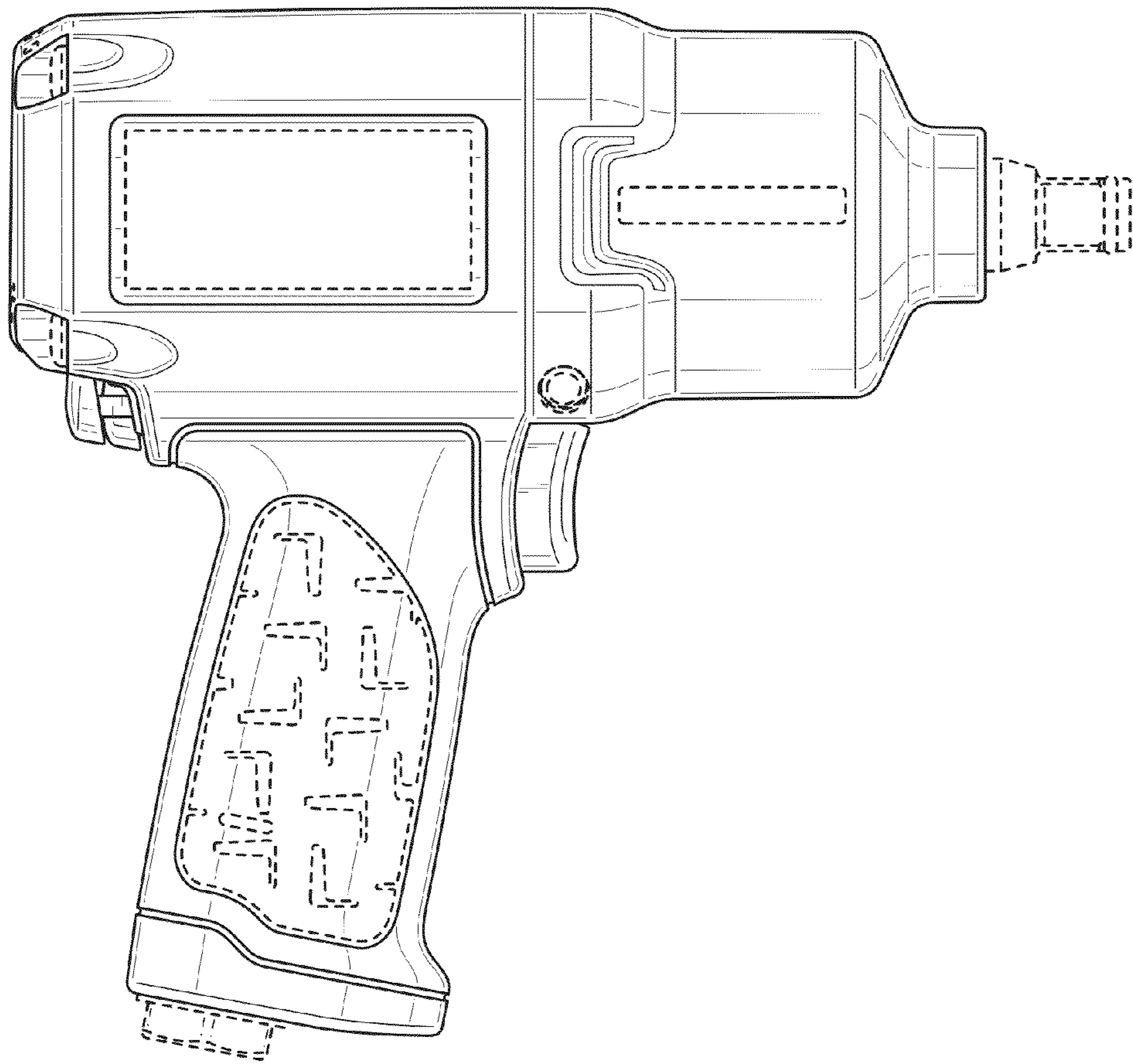


FIG. 4

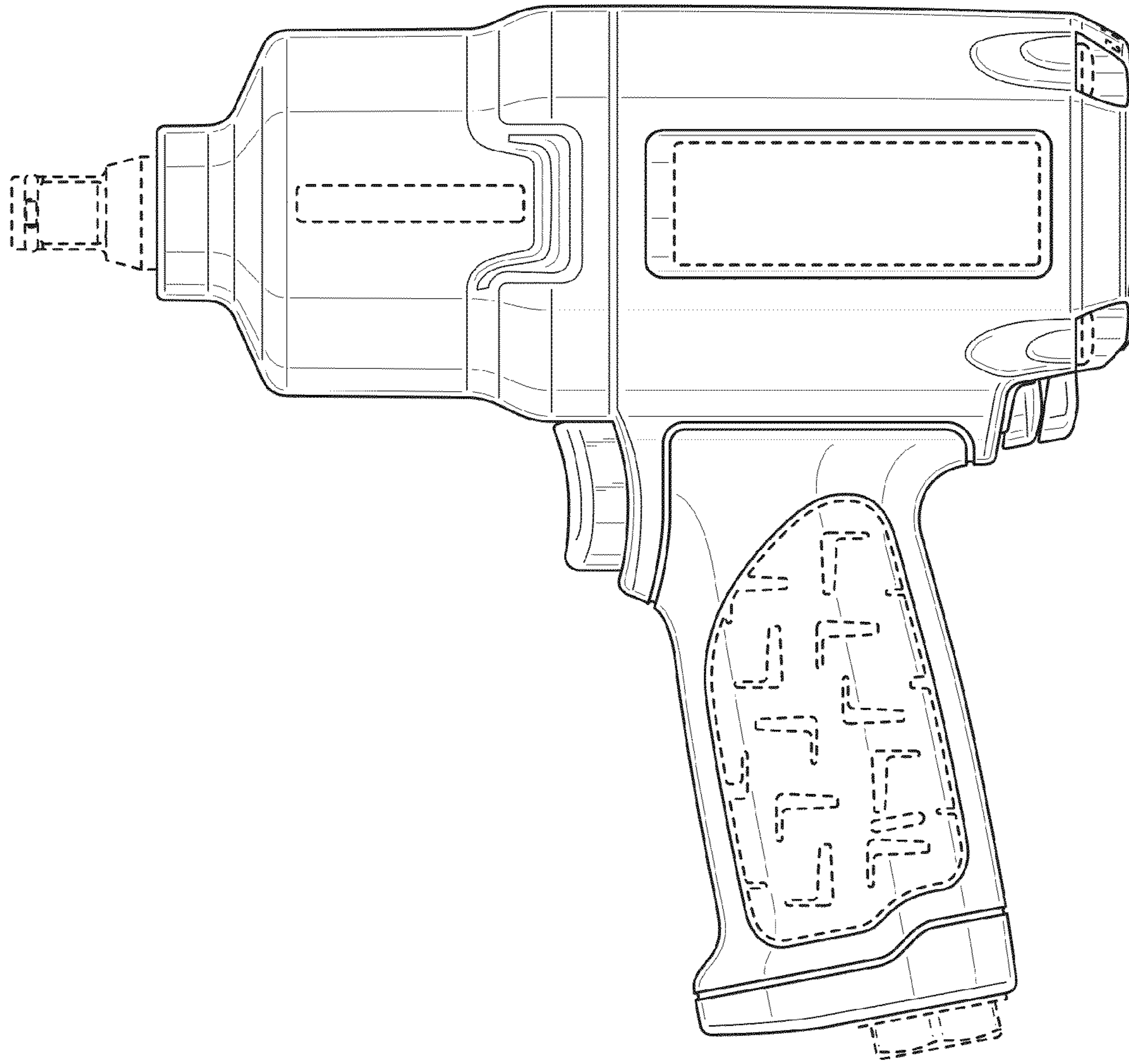


FIG. 5

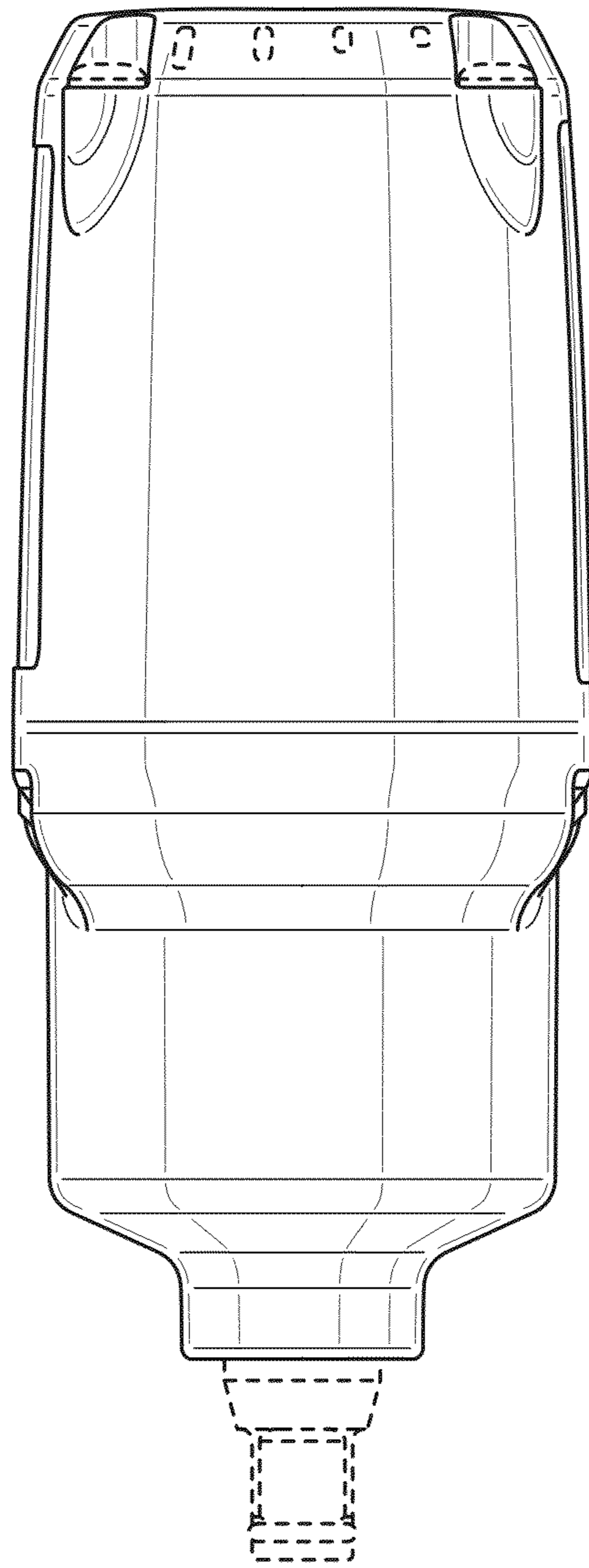


FIG. 6

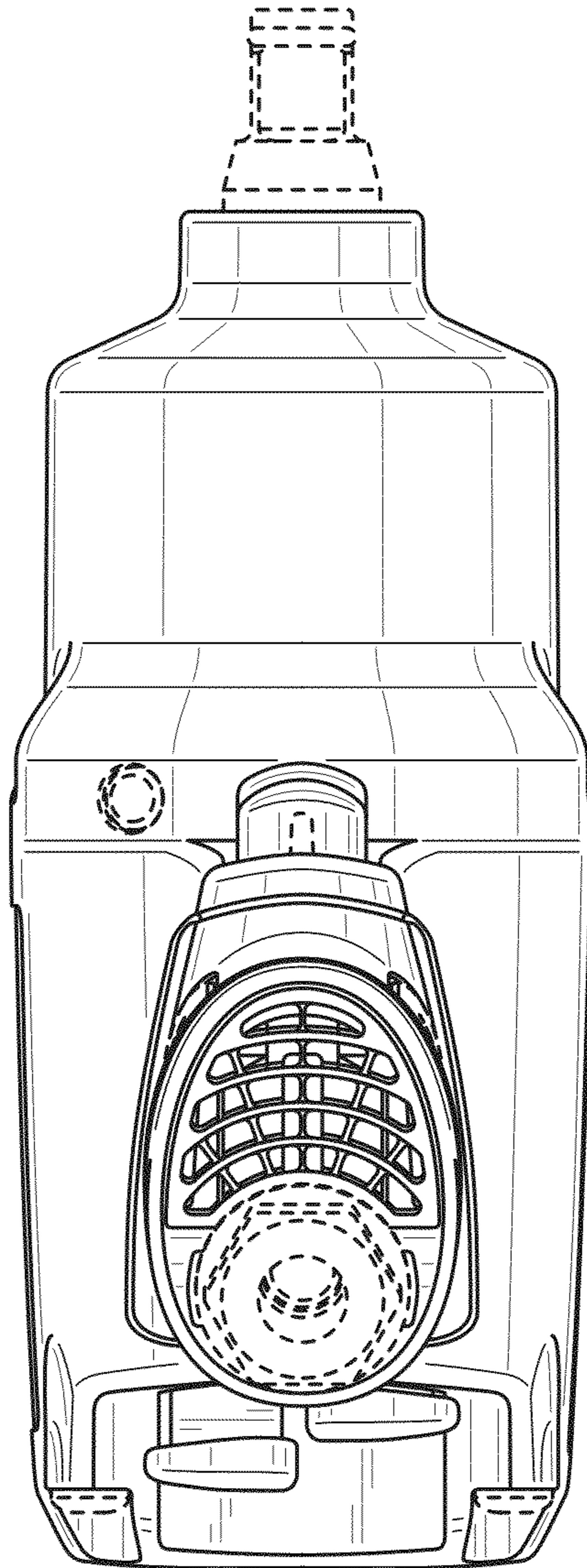


FIG. 7