



US00D716123S

(12) **United States Design Patent**
Teraguchi et al.

(10) **Patent No.:** **US D716,123 S**
(45) **Date of Patent:** **** Oct. 28, 2014**

(54) **SCISSORS**

(71) Applicant: **Kokuyo S&T Co., Ltd.**, Osaka (JP)

(72) Inventors: **Go Teraguchi**, Osaka (JP); **Shigehiro Kawai**, Osaka (JP); **Tsuyoshi Suzuki**, Osaka (JP); **Takayoshi Higashino**, Osaka (JP)

(73) Assignee: **Kokuyo S&T Co., Ltd.**, Osaka (JP)

(**) Term: **14 Years**

(21) Appl. No.: **29/468,626**

(22) Filed: **Oct. 1, 2013**

(30) **Foreign Application Priority Data**

Apr. 4, 2013 (JP) 2013-007663

(51) **LOC (10) Cl.** **08-03**

(52) **U.S. Cl.**
USPC **D8/57**

(58) **Field of Classification Search**
CPC B26B 13/00; B26B 13/20; B26B 13/12;
B26B 17/00
USPC D8/4, 5, 51-58, 105, 107; D27/195;
D21/532; 30/131, 195, 229, 194,
30/230-235, 341, 268, 350, 254-258;
D28/44, 57; 7/135, 136

See application file for complete search history.

(56) **References Cited**

U.S. PATENT DOCUMENTS

D358,748	S	*	5/1995	Ramsey et al.	D8/57
6,493,947	B2	*	12/2002	Stokes	30/341
7,458,160	B2	*	12/2008	Escobar et al.	30/232
D614,008	S	*	4/2010	Hyp	D8/57
D623,494	S	*	9/2010	Tsai	D8/57
D648,996	S	*	11/2011	Hanakawa et al.	D8/57
D651,491	S	*	1/2012	Hanakawa et al.	D8/57
D678,021	S	*	3/2013	Kanda et al.	D8/57
D678,741	S	*	3/2013	Ozeki	D8/57
D680,840	S	*	4/2013	Bhasin	D8/57
2010/0263215	A1	*	10/2010	Hanakawa	30/244

* cited by examiner

Primary Examiner — Deanne L Pratt

Assistant Examiner — Harold Blackwell, II

(74) *Attorney, Agent, or Firm* — Dennis R. Haszko

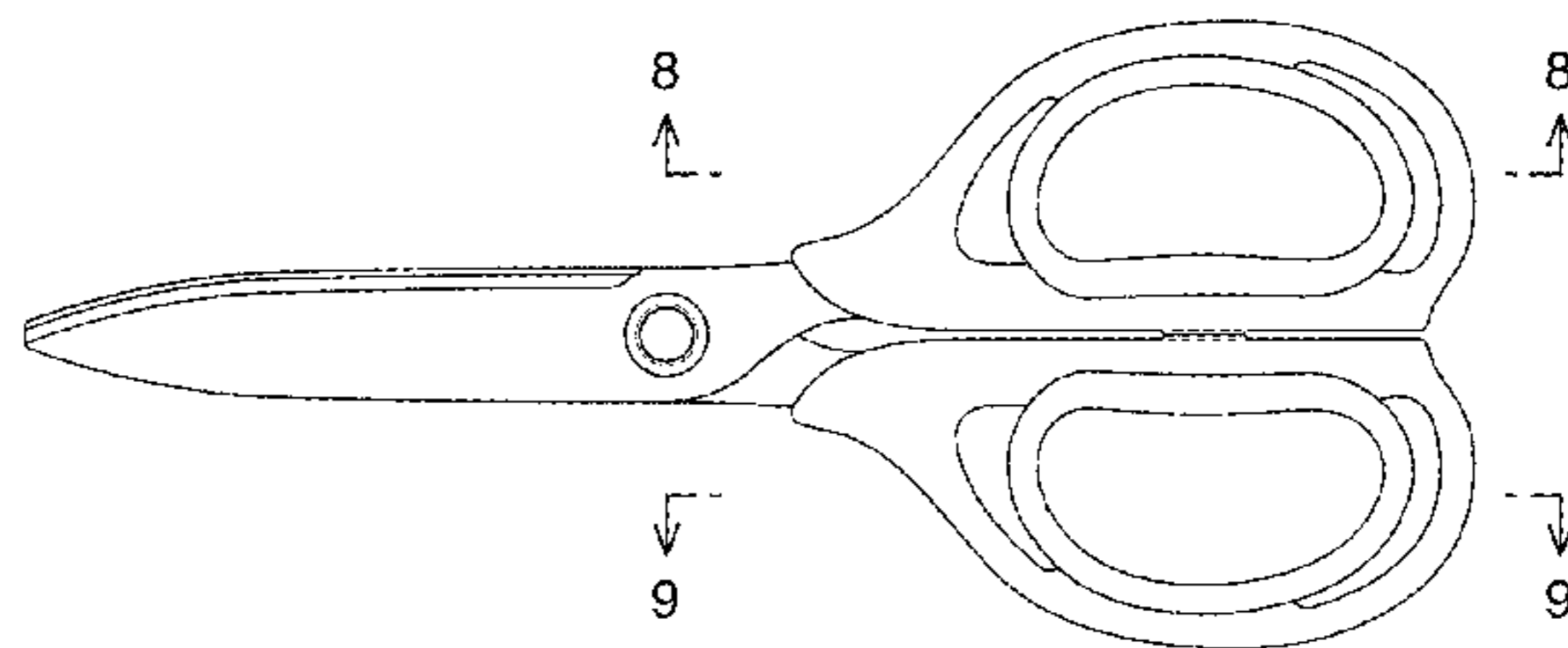
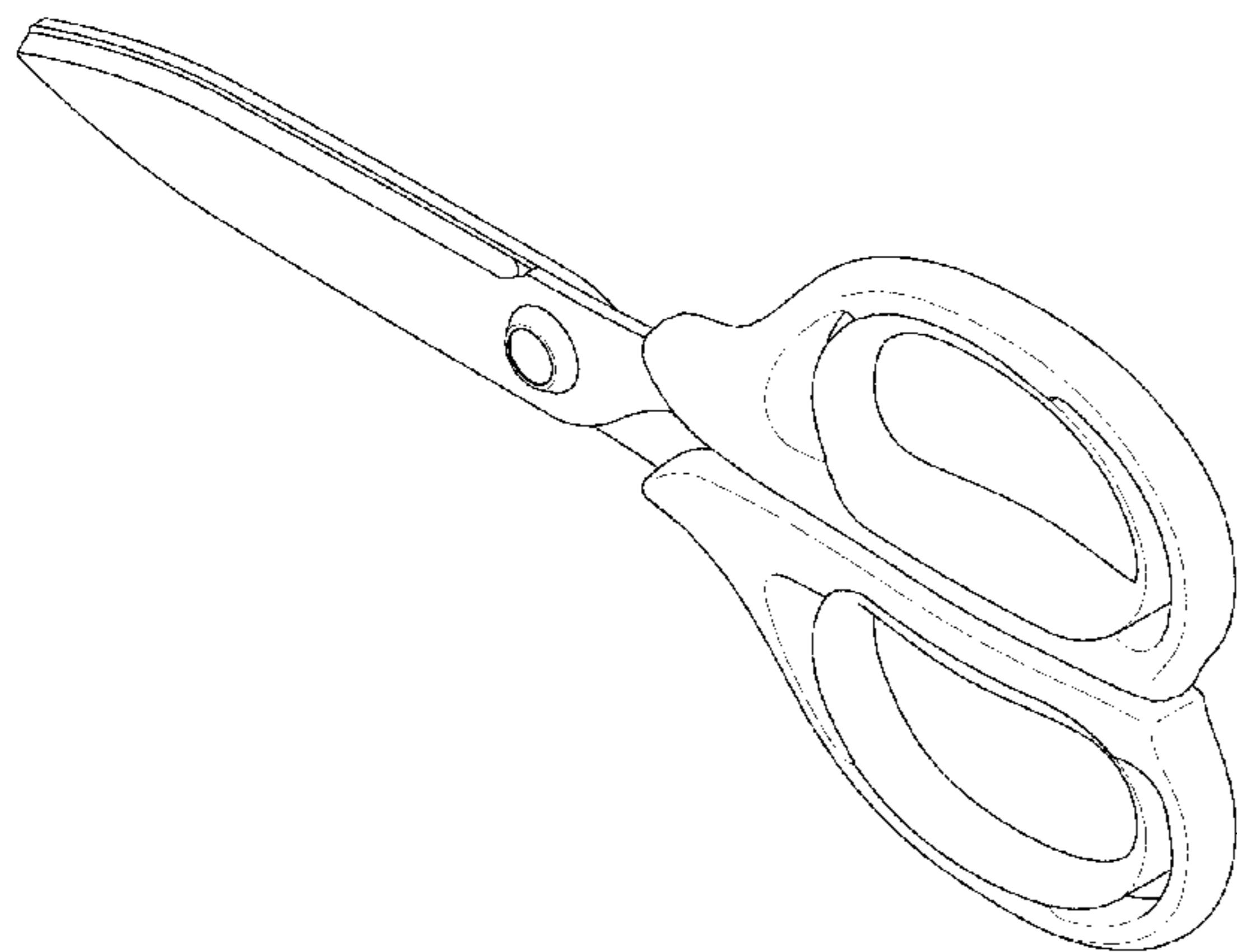
(57) **CLAIM**

The ornamental design for scissors, as shown.

DESCRIPTION

FIG. 1 is an enlarged perspective view of the scissors;
FIG. 2 is a front view thereof;
FIG. 3 is a rear view thereof;
FIG. 4 is a plan view thereof;
FIG. 5 bottom view thereof;
FIG. 6 is a right side view thereof;
FIG. 7 is a left side view thereof;
FIG. 8 is an enlarged cross-sectional view taken along line 8-8 of FIG. 2; and,
FIG. 9 is an enlarged cross-sectional view taken along line 9-9 of FIG. 2.

1 Claim, 5 Drawing Sheets



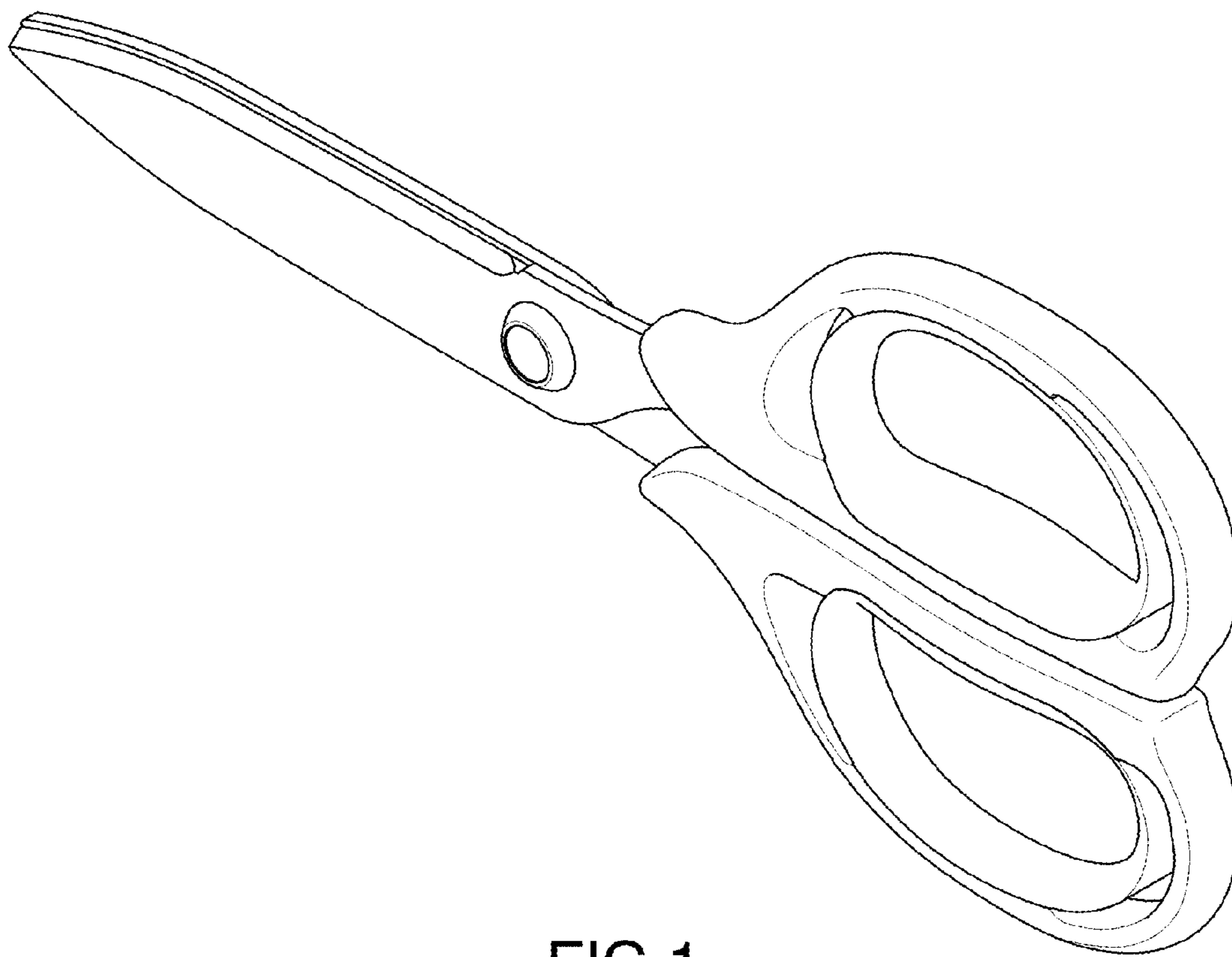


FIG.1

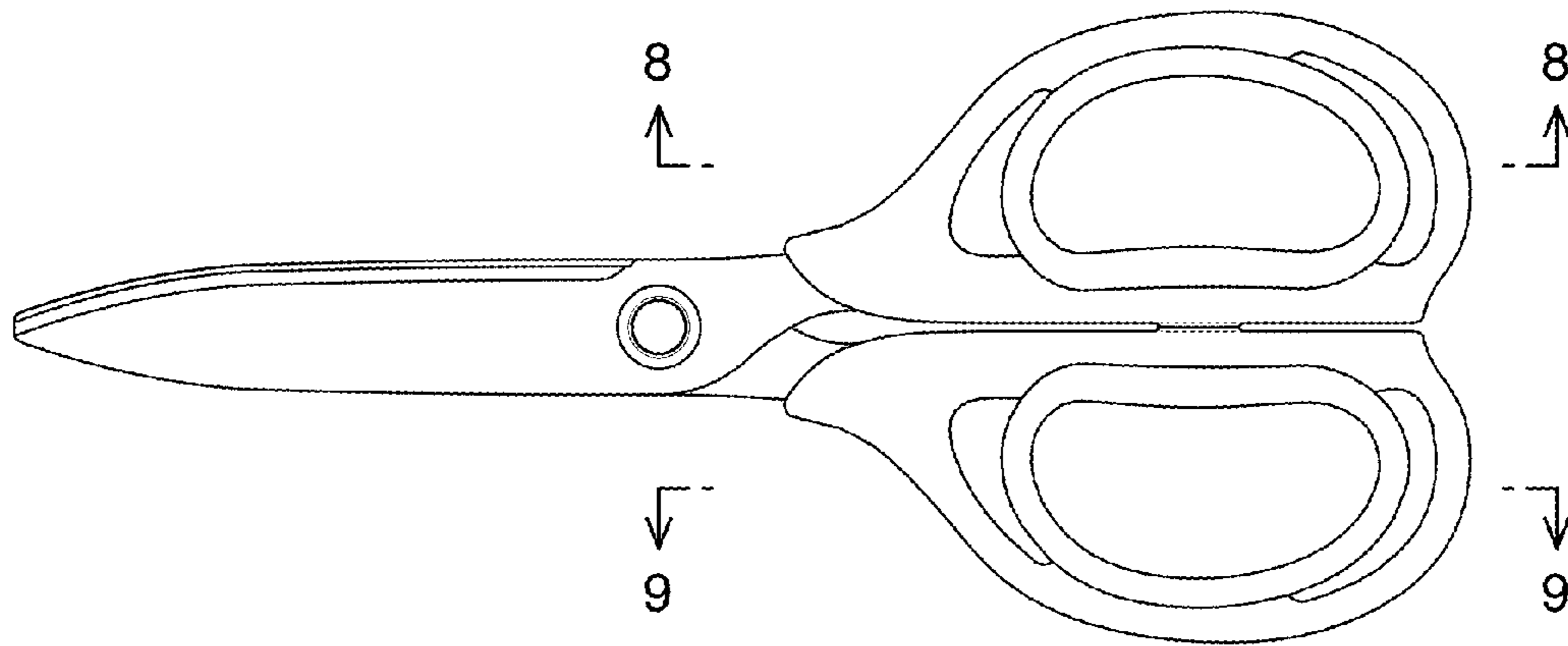


FIG.2

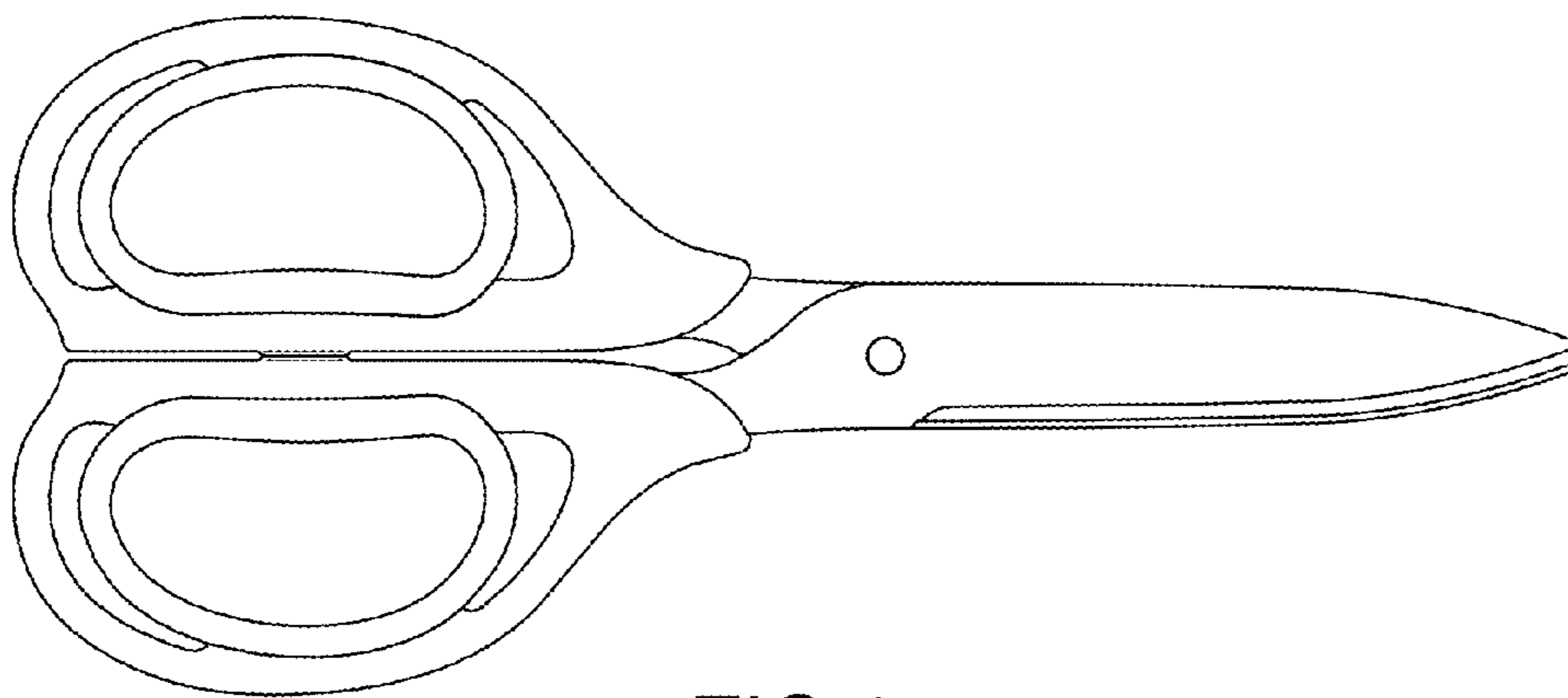


FIG.3

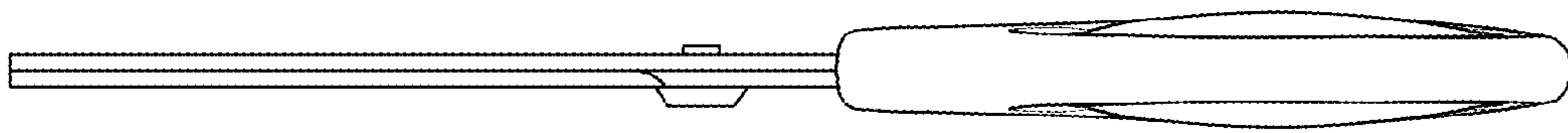


FIG. 4

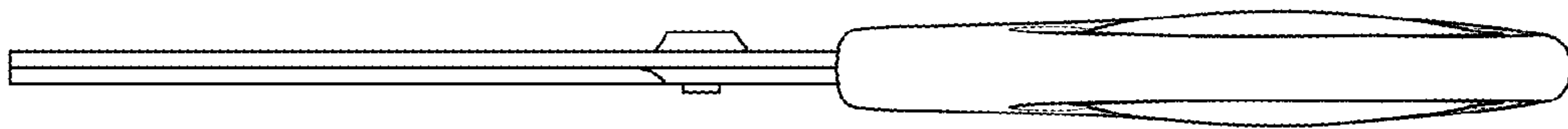


FIG. 5

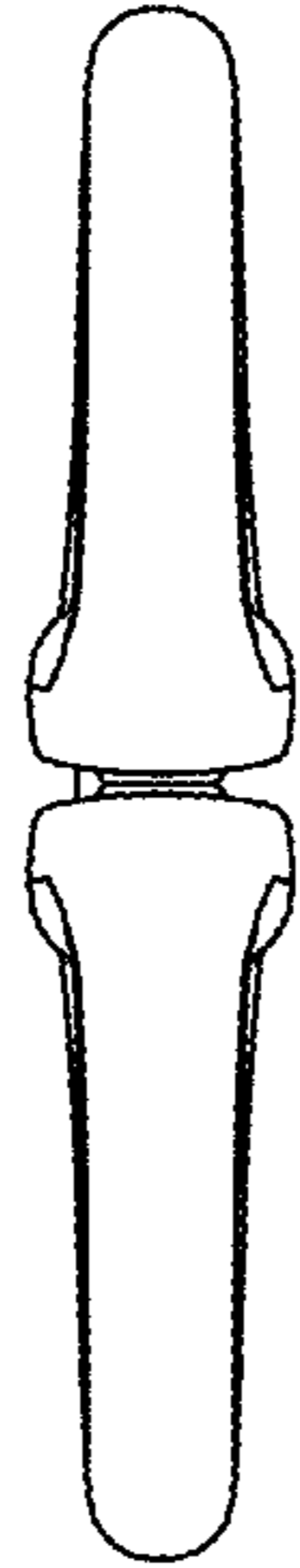


FIG. 6

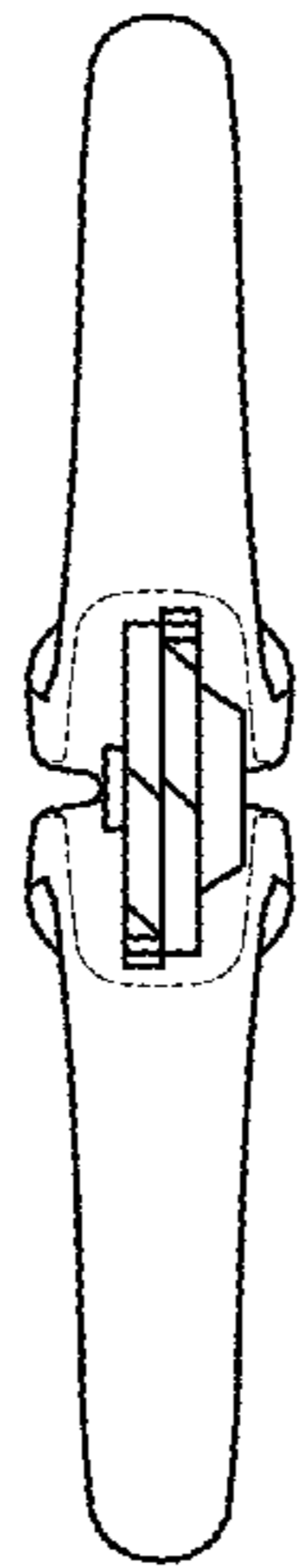


FIG. 7

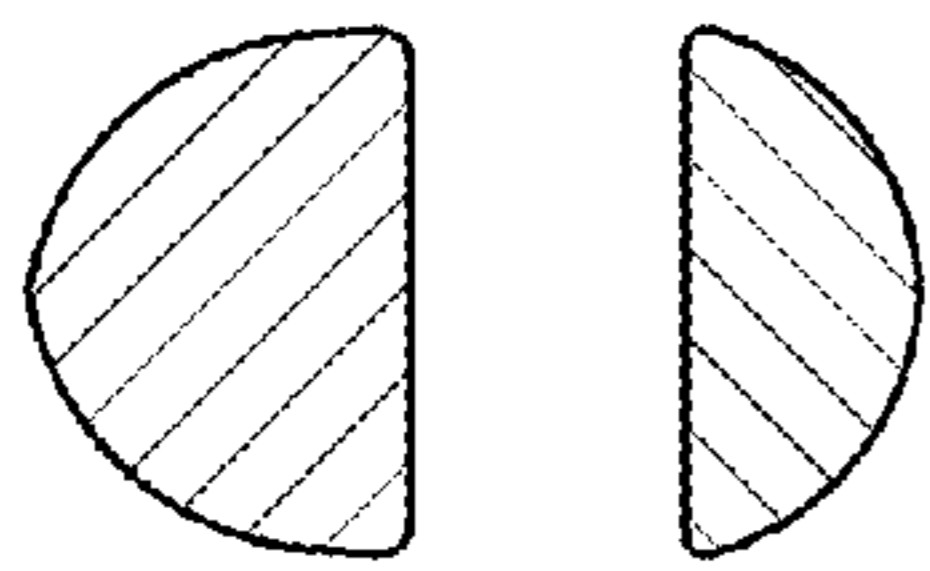


FIG.8

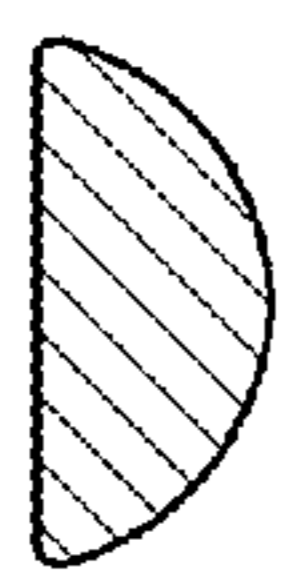
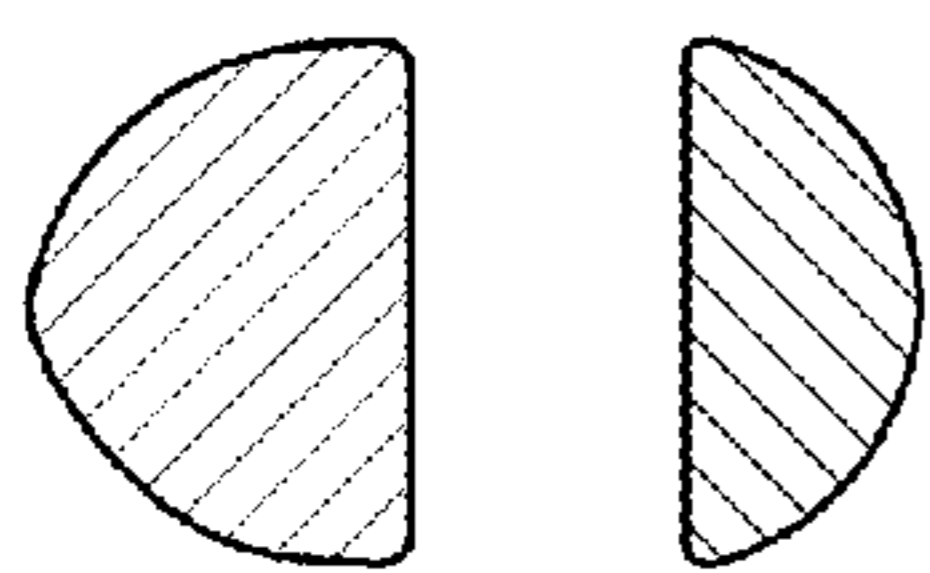


FIG.9