



US00D716122S

(12) **United States Design Patent**
Bingham

(10) **Patent No.:** **US D716,122 S**
(45) **Date of Patent:** **** Oct. 28, 2014**

- (54) **MASON'S HAWK**
- (76) Inventor: **Erin Cole Bingham**, McFarland, WI (US)
- (**) Term: **14 Years**
- (21) Appl. No.: **29/417,726**
- (22) Filed: **Apr. 6, 2012**

Related U.S. Application Data

- (63) Continuation-in-part of application No. 12/264,889, filed on Nov. 4, 2008, now abandoned.
- (51) **LOC (10) Cl.** **08-05**
- (52) **U.S. Cl.**
USPC **D8/45**
- (58) **Field of Classification Search**
USPC D8/14, 45; 15/235.3, 235.5; 16/422;
222/572; 294/3.5
See application file for complete search history.

References Cited

U.S. PATENT DOCUMENTS

96,022	A *	10/1869	McGeary	294/3.5
213,671	A *	3/1879	Lucas	16/422
348,268	A *	8/1886	Coursen	294/3.5
357,203	A *	2/1887	Jaques	294/3.5
416,410	A	12/1889	Kautz	
483,132	A	9/1892	Biay	
542,419	A *	7/1895	Love	294/3.5
832,036	A *	10/1906	Bunker	294/3.5
963,143	A *	7/1910	Hansen et al.	294/3.5
1,001,811	A *	8/1911	Brunner	294/3.5
1,059,035	A *	4/1913	Cleary	294/3.5
1,078,122	A	11/1913	Bean	
1,095,200	A *	5/1914	Fix	294/3.5
1,348,516	A	8/1920	Peck	
1,482,452	A *	2/1924	Williams	16/422
1,515,437	A *	11/1924	Heald	294/3.5
1,587,254	A *	6/1926	Taseff	294/3.5
1,594,900	A *	8/1926	Fine	16/422

1,737,274	A *	11/1929	Sudek, Jr.	294/3.5
1,773,437	A *	8/1930	Riege	294/3.5
1,861,174	A *	5/1932	Applegate	294/3.5
1,865,885	A	7/1932	Byhre	
2,821,078	A	1/1958	Steward	
3,206,788	A	9/1965	Hahn	
D214,985	S *	8/1969	Davis	D8/45
3,790,201	A *	2/1974	Morsilli	294/3.5
3,842,759	A	10/1974	Thomas	
D279,544	S *	7/1985	Duncan	D8/45
4,579,378	A	4/1986	Snyders	
4,753,471	A	6/1988	Gringer	
5,067,761	A *	11/1991	Blowers	294/3.5
5,186,507	A	2/1993	Neidfeld	
D357,370	S	4/1995	Watts	
5,857,408	A *	1/1999	Witter	100/265
5,862,748	A *	1/1999	Witter	100/265
D574,202	S *	8/2008	Rodriguez	D8/14

* cited by examiner

Primary Examiner — Philip S Hyder

Assistant Examiner — Roselynnne Cody

(74) *Attorney, Agent, or Firm* — Lloyd W. Bonneville

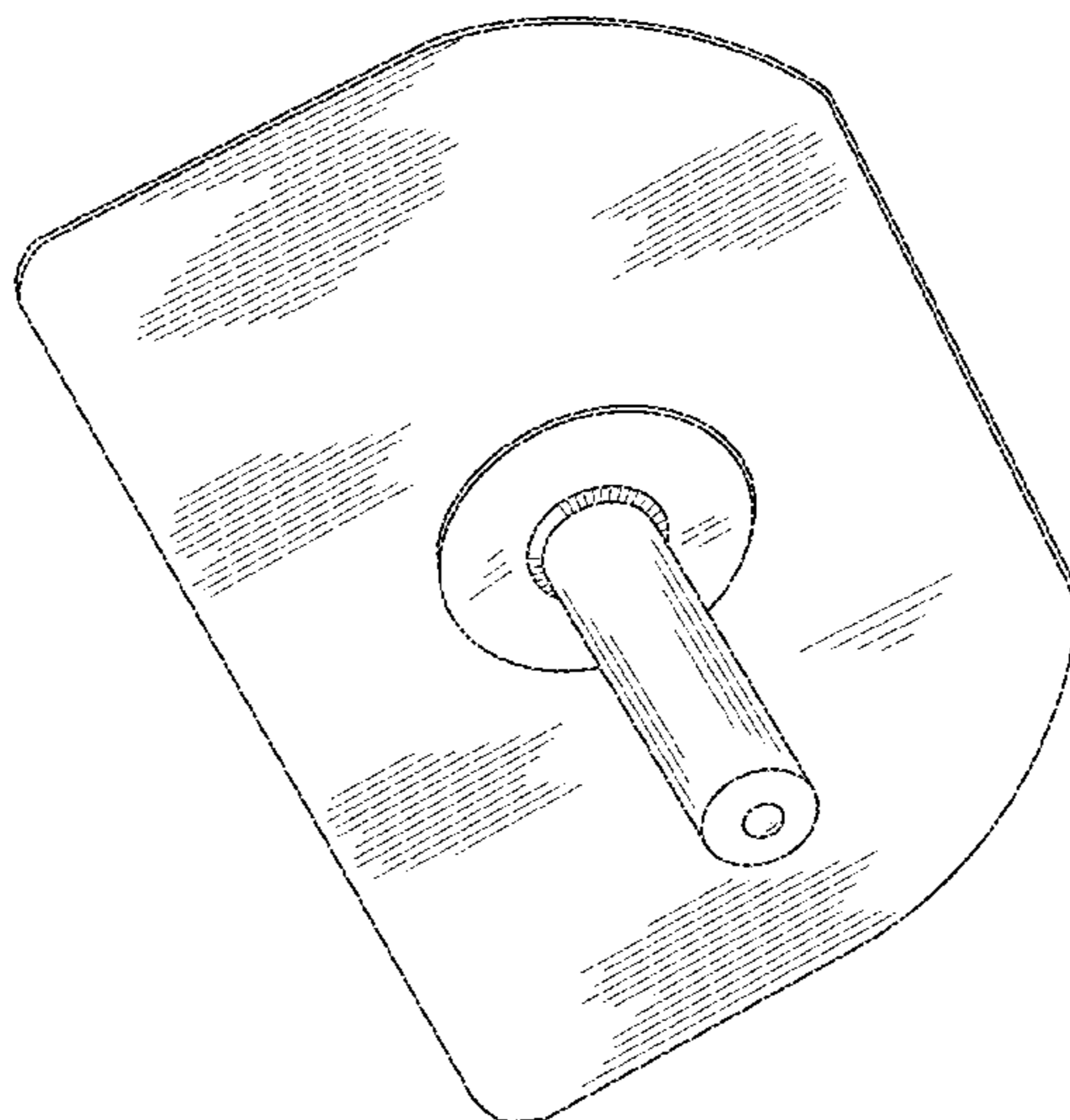
(57) **CLAIM**

The ornamental design for a mason's hawk, as shown and described.

DESCRIPTION

FIG. 1 is a side perspective view of the mason's hawk showing my new design in a condition of use;
 FIG. 2 is a bottom view thereof;
 FIG. 3 is a rear view thereof;
 FIG. 4 is a front view thereof;
 FIG. 5 is a right side view thereof the side opposite being a mirror image;
 FIG. 6 is a front exploded view thereof; and,
 FIG. 7 is a bottom perspective view thereof.
 The broken lines in FIG. 1 illustrate environmental structure which forms no part of the claimed design.

1 Claim, 5 Drawing Sheets



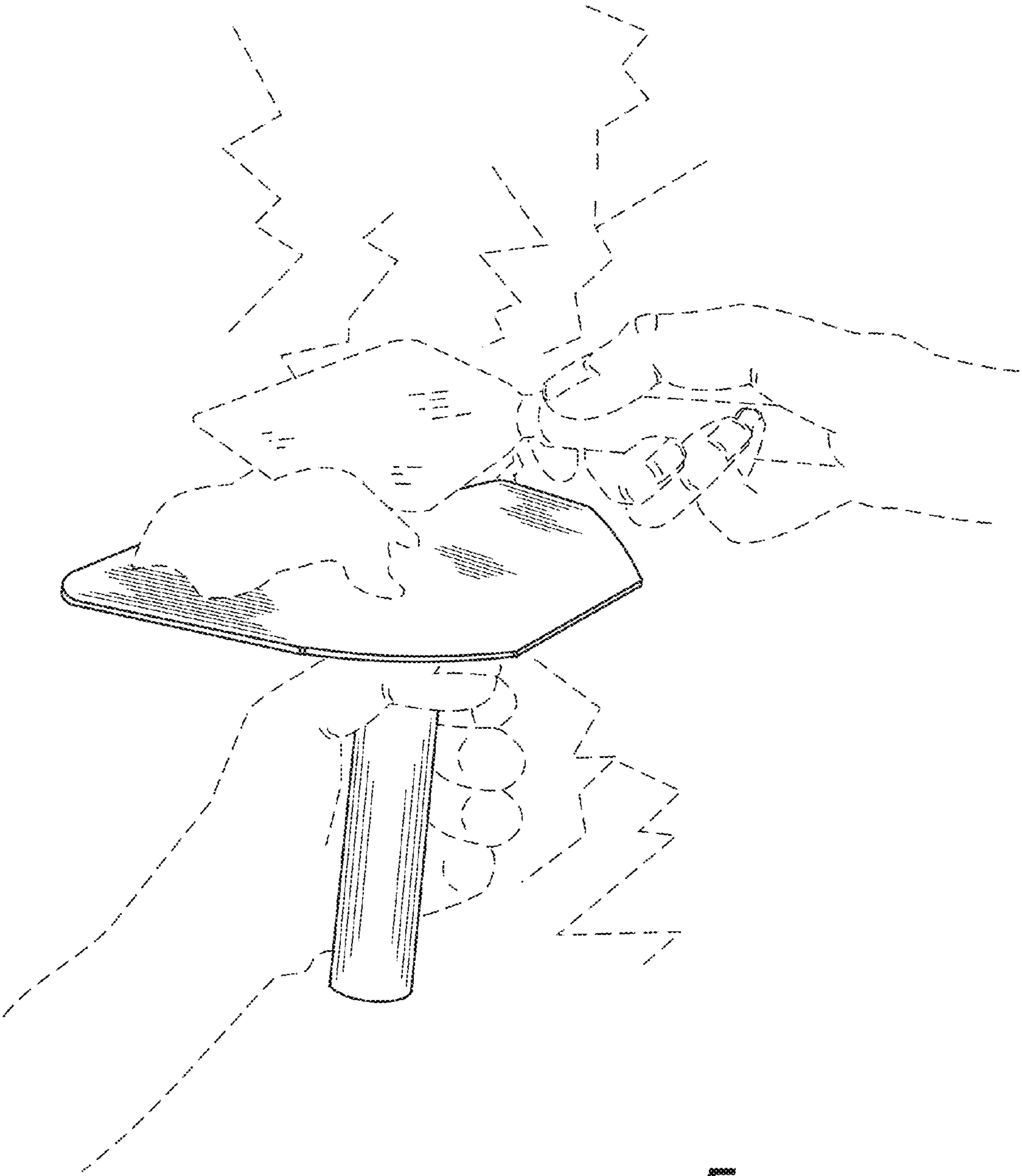


FIG 1

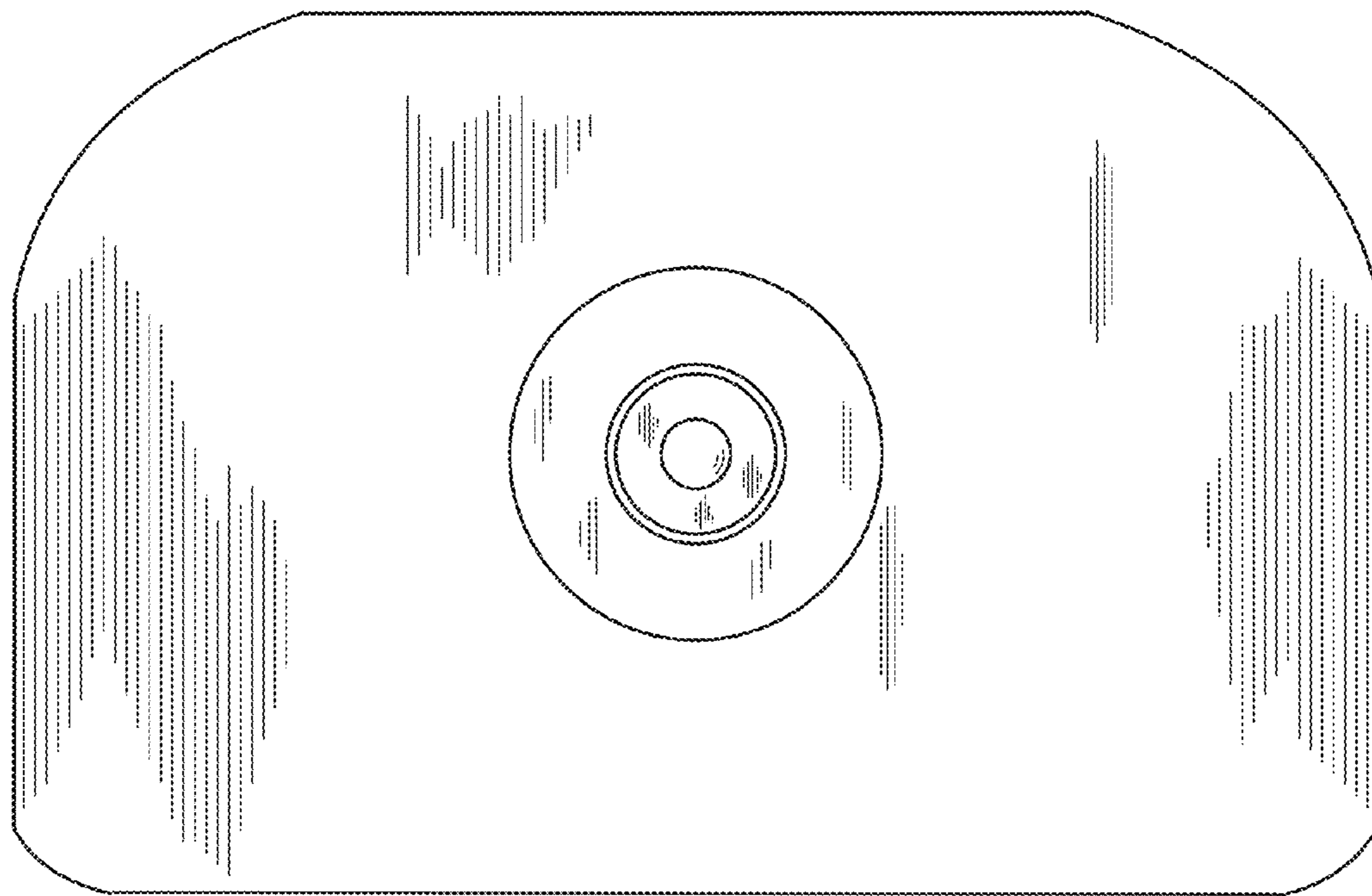


FIG 2

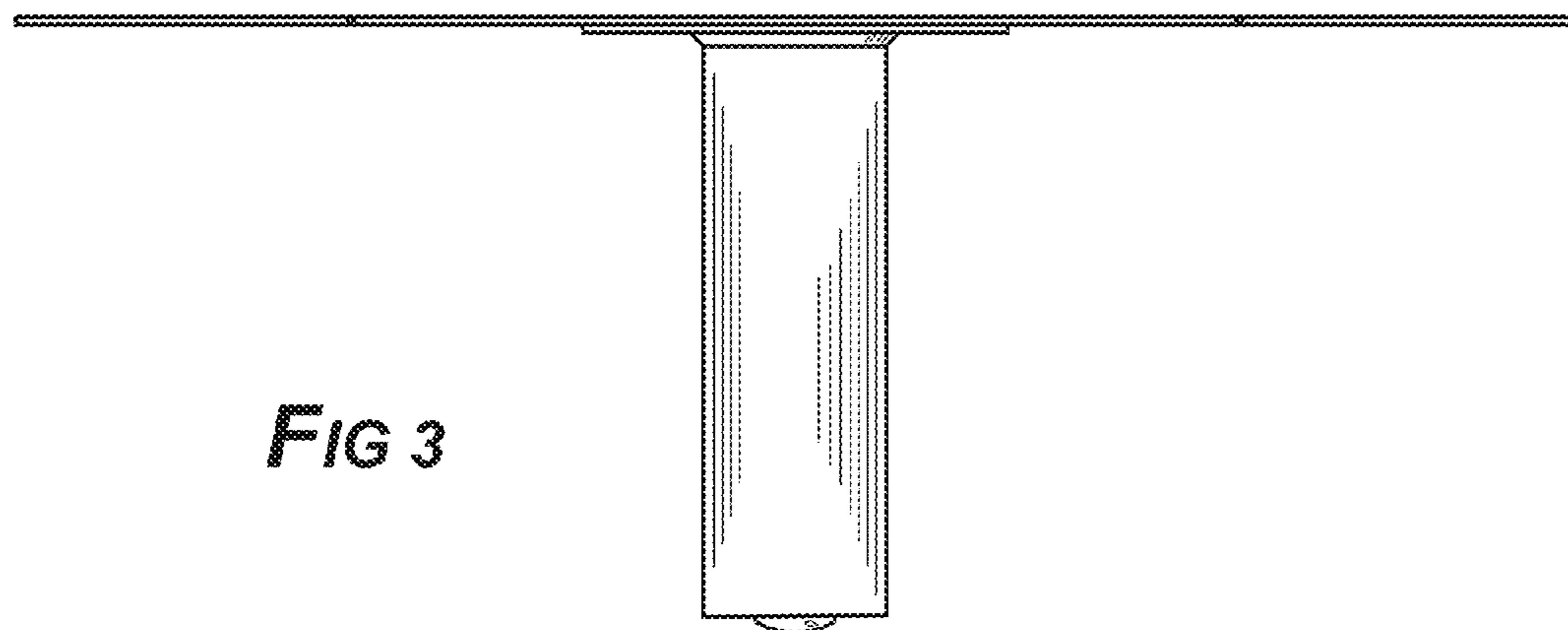


FIG 3

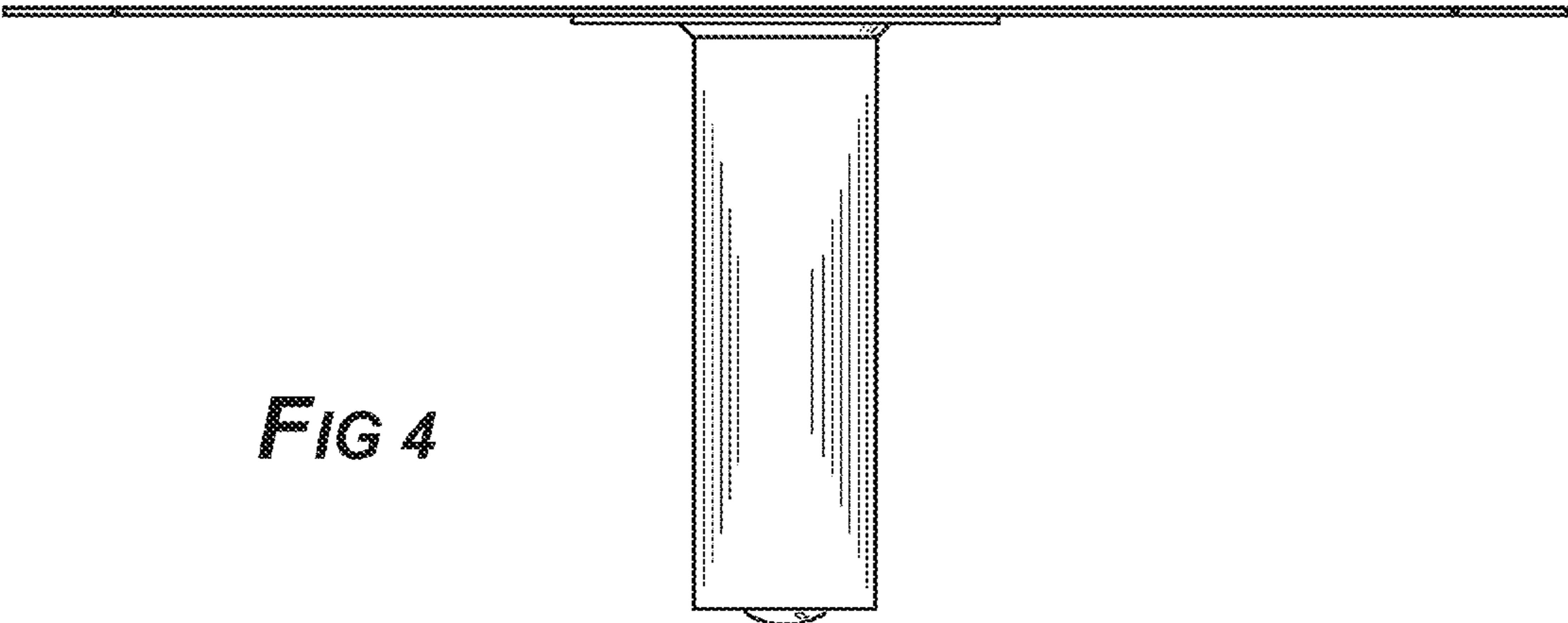


FIG 4

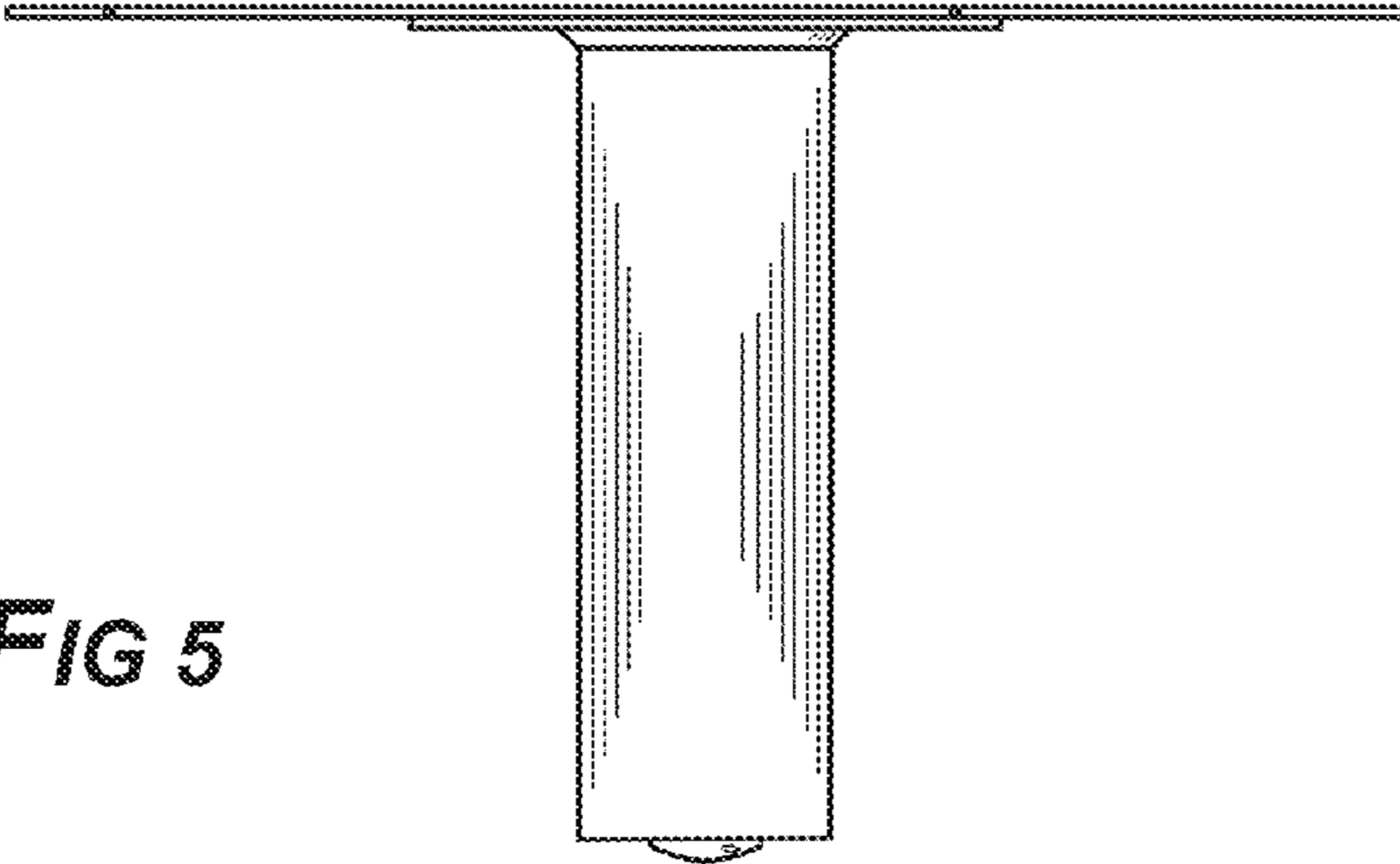


FIG 5

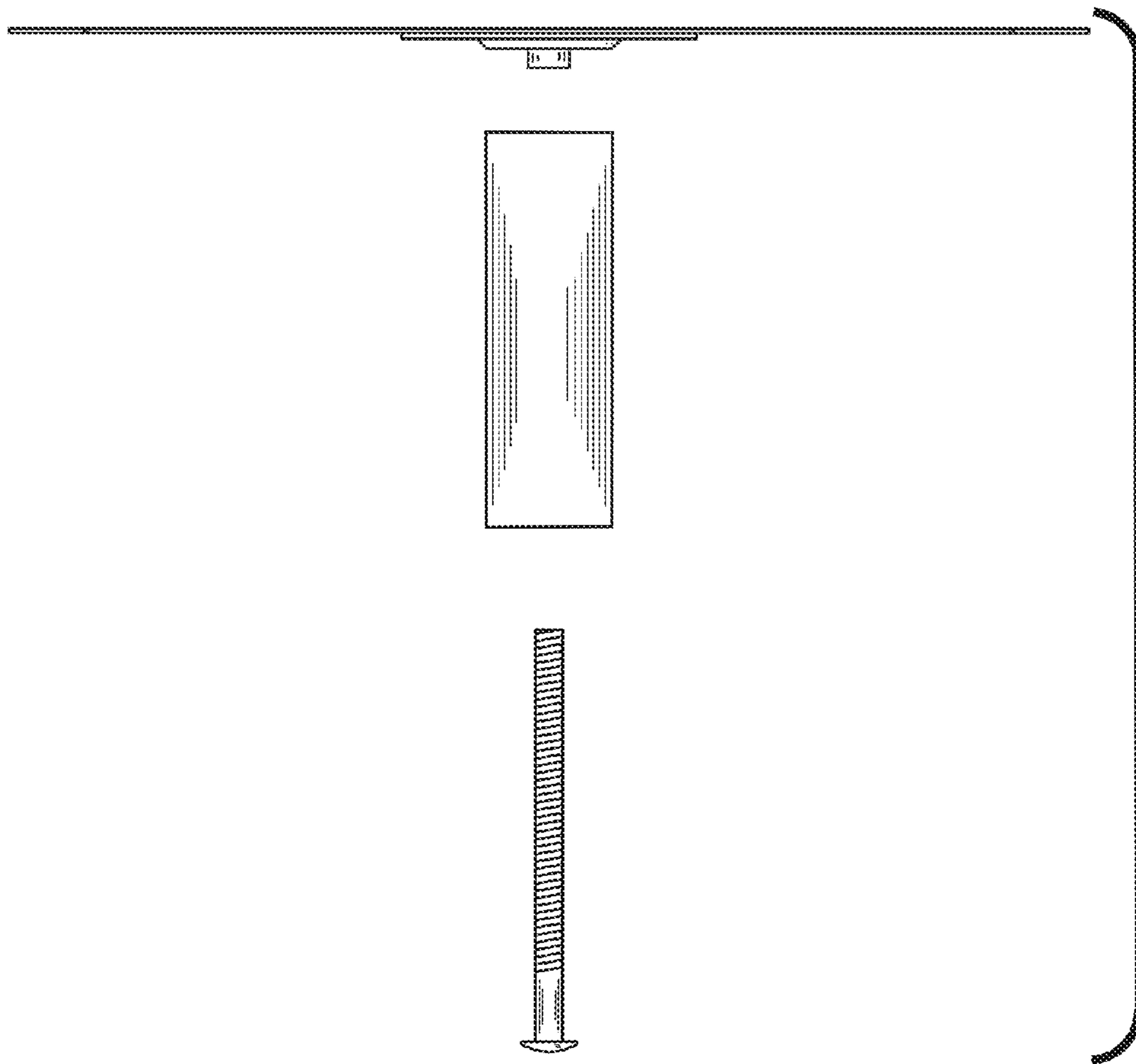


FIG 6

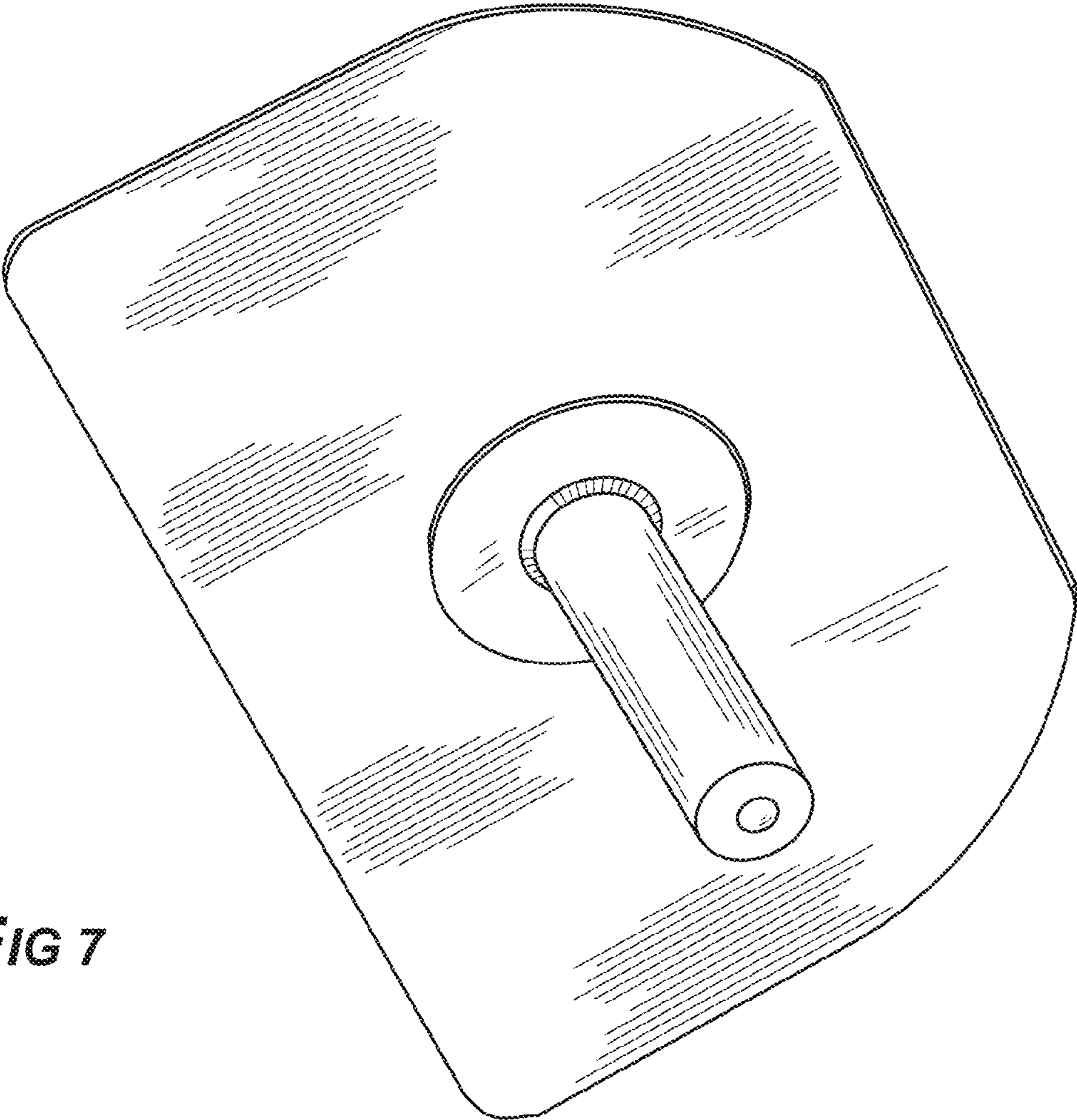


FIG 7