



US00D716120S

(12) **United States Design Patent**
McMorris et al.

(10) **Patent No.:** **US D716,120 S**
(45) **Date of Patent:** **** Oct. 28, 2014**

(54) **DOOR MORTISING JIG**

(76) Inventors: **Sandra Ann McMorris**, Port St. Lucie, FL (US); **Glen Edward McMorris**, Port St. Lucie, FL (US)

(**) Term: **14 Years**

(21) Appl. No.: **29/424,620**

(22) Filed: **Jun. 13, 2012**

(51) **LOC (10) Cl.** **08-05**

(52) **U.S. Cl.**
USPC **D8/14**

(58) **Field of Classification Search**
CPC B27F 5/12; B23Q 9/005; E04F 21/003;
E05D 5/02; E05D 11/0009; E05Y 2900/132
USPC D8/14, 45; 144/27, 84, 144.1, 144.51;
33/197
See application file for complete search history.

(56) **References Cited**

U.S. PATENT DOCUMENTS

2,663,333	A *	12/1953	Brown	144/27
3,035,618	A *	5/1962	Menke	144/27
3,184,859	A *	5/1965	Patrick	33/197
3,442,308	A *	5/1969	Steffens	144/27
4,914,822	A *	4/1990	Wetherington	33/197
D317,575	S *	6/1991	Ramsey	D10/71

5,154,214	A *	10/1992	Hagerman	144/27
D340,060	S *	10/1993	Emerich	D15/141
5,762,115	A *	6/1998	Shouse	144/144.51
6,182,331	B1 *	2/2001	Hessenthaler	16/387
D493,078	S *	7/2004	McGee et al.	D8/14
D495,264	S *	8/2004	Chudek et al.	D10/71
7,896,040	B2 *	3/2011	Gill	144/144.1
D665,638	S *	8/2012	Krohmer et al.	D8/14
2009/0229135	A1 *	9/2009	Gilliam	33/197

* cited by examiner

Primary Examiner — Philip S Hyder

Assistant Examiner — Roselynn Cody

(74) *Attorney, Agent, or Firm* — QuickPatents; Kevin Prince

(57) **CLAIM**

We claim the ornamental design for a door mortising jig, as shown and described.

DESCRIPTION

FIG. 1 is a perspective view of a door mortising jig, showing our new design;

FIG. 2 is a front elevational view thereof;

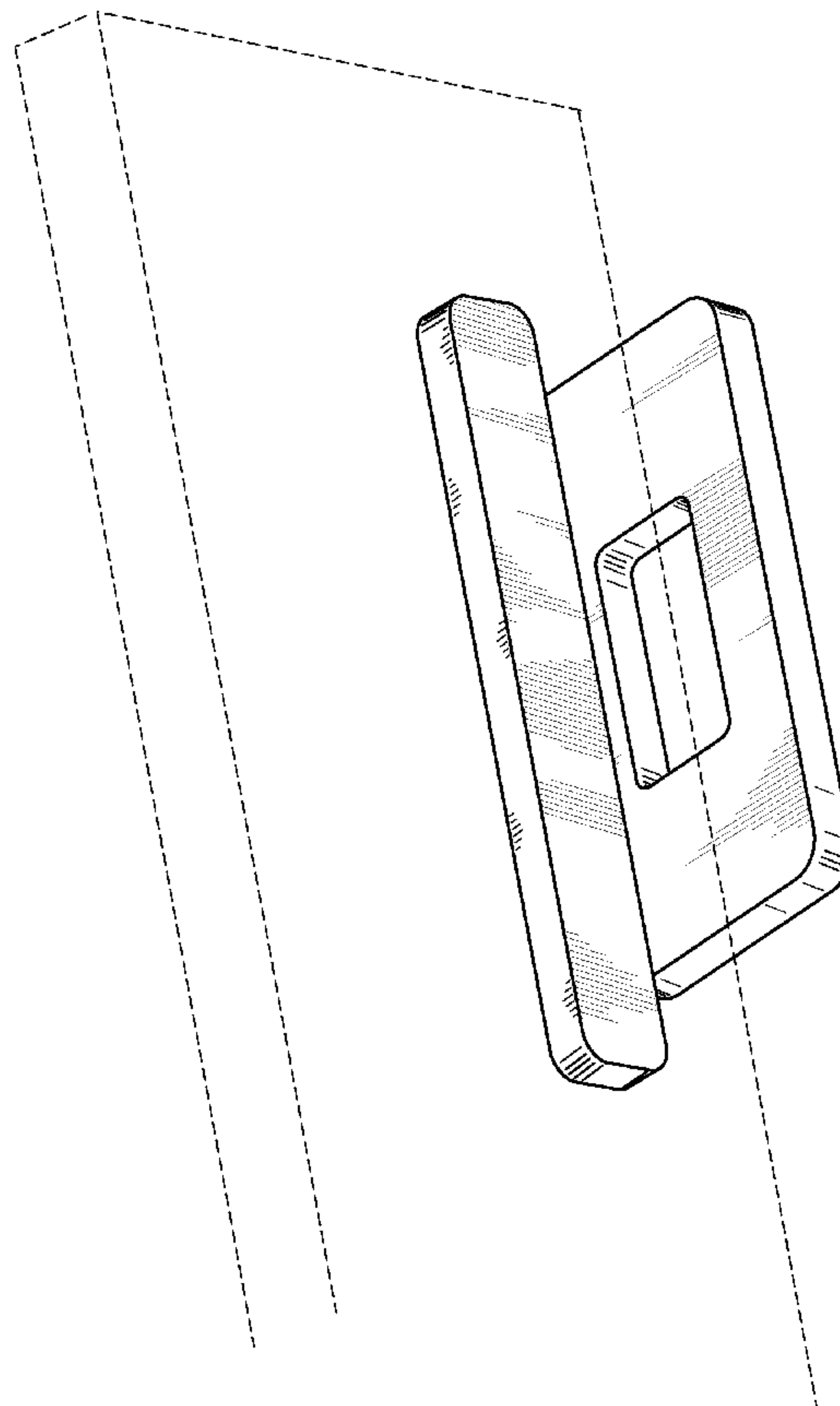
FIG. 3 is a rear elevational view thereof;

FIG. 4 is a bottom plan view thereof, the top plan view being a mirror image thereof; and,

FIG. 5 is a left-side elevational view thereof, the right-side elevational view being a mirror image thereof.

The broken lines showing a door in FIG. 1 depict environmental matter and form no part of the claimed design.

1 Claim, 3 Drawing Sheets



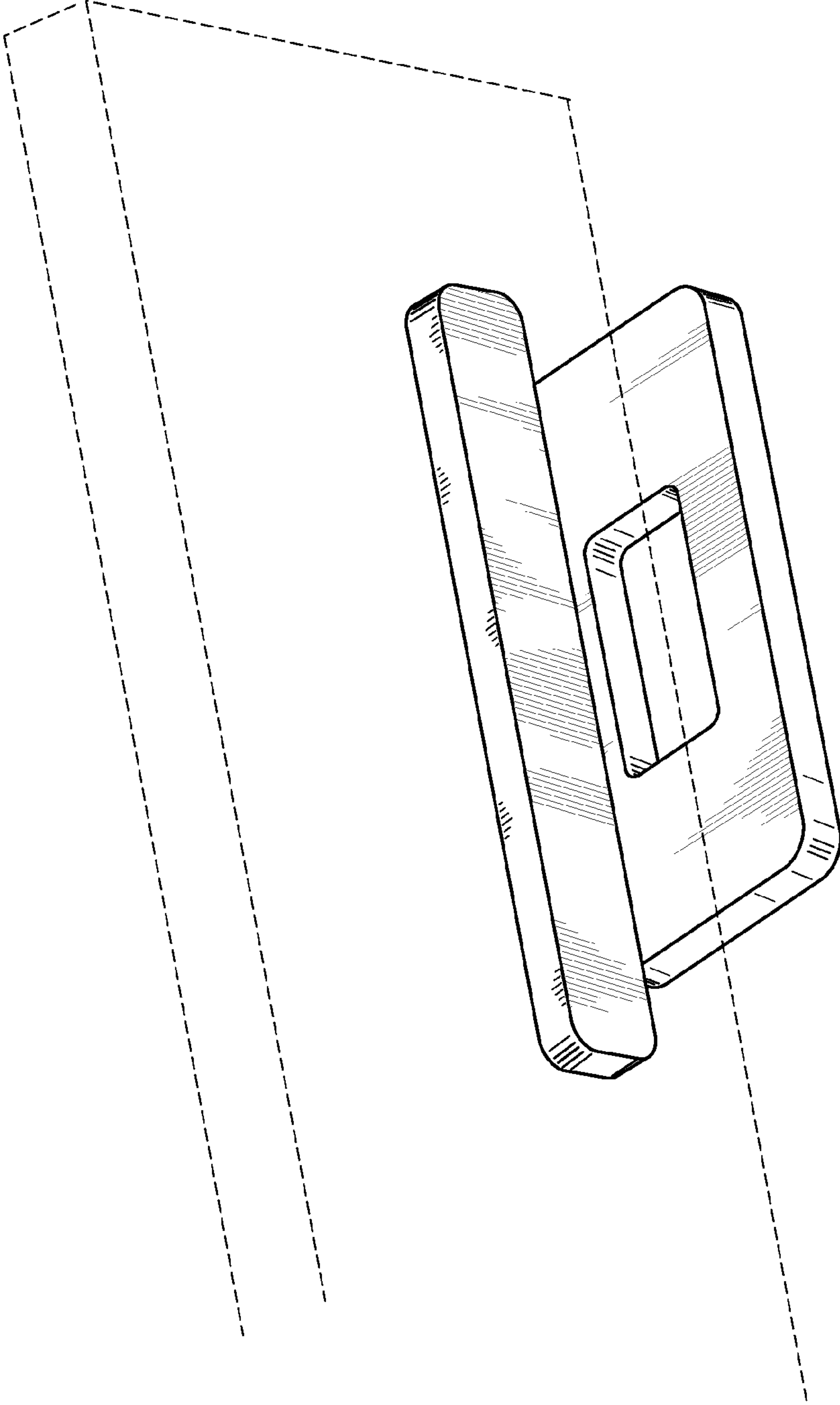


FIG. 1

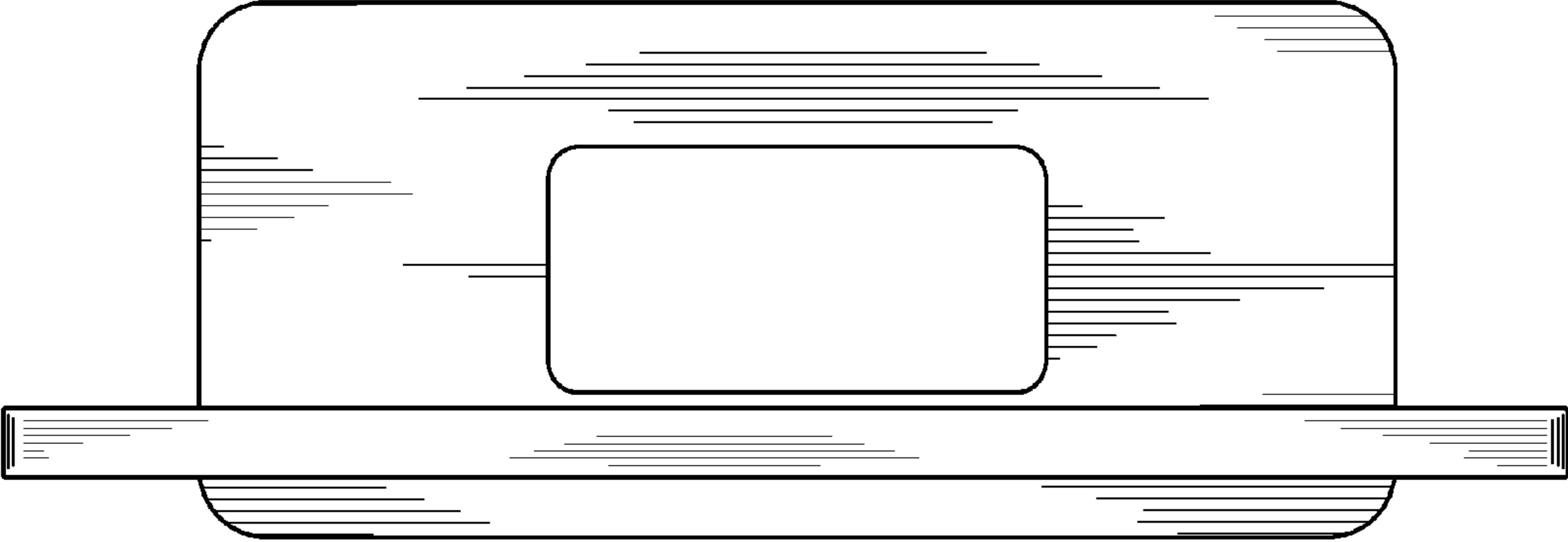


FIG. 2

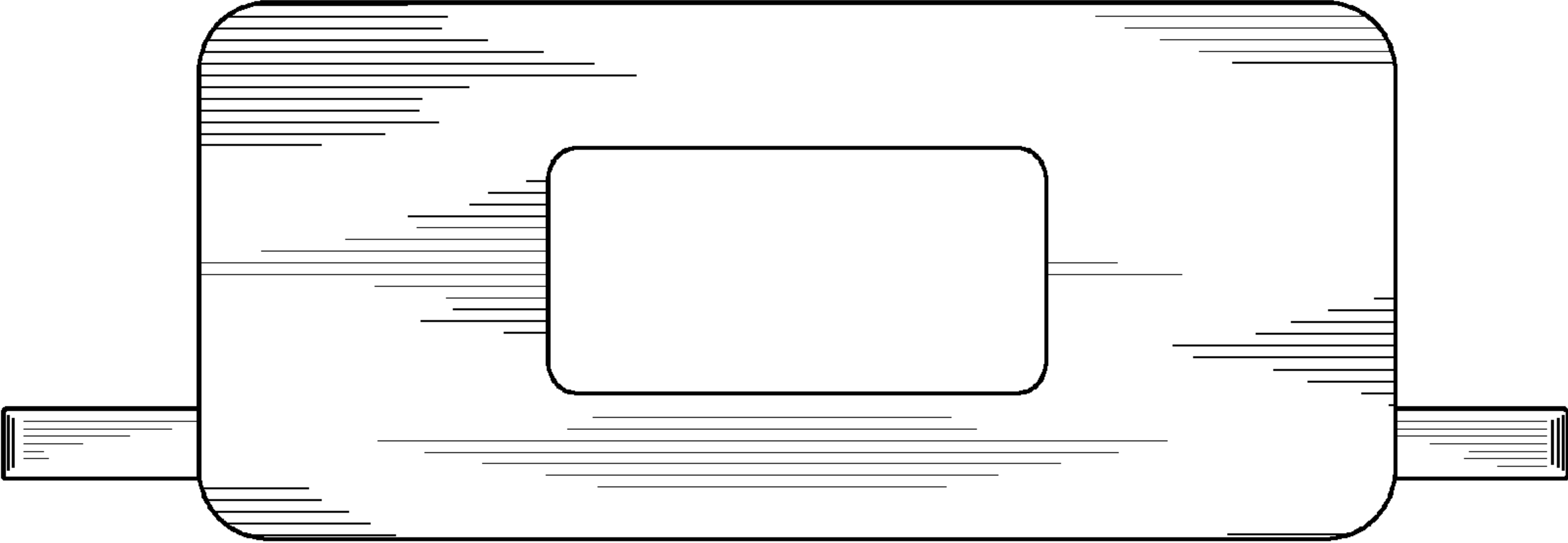


FIG. 3

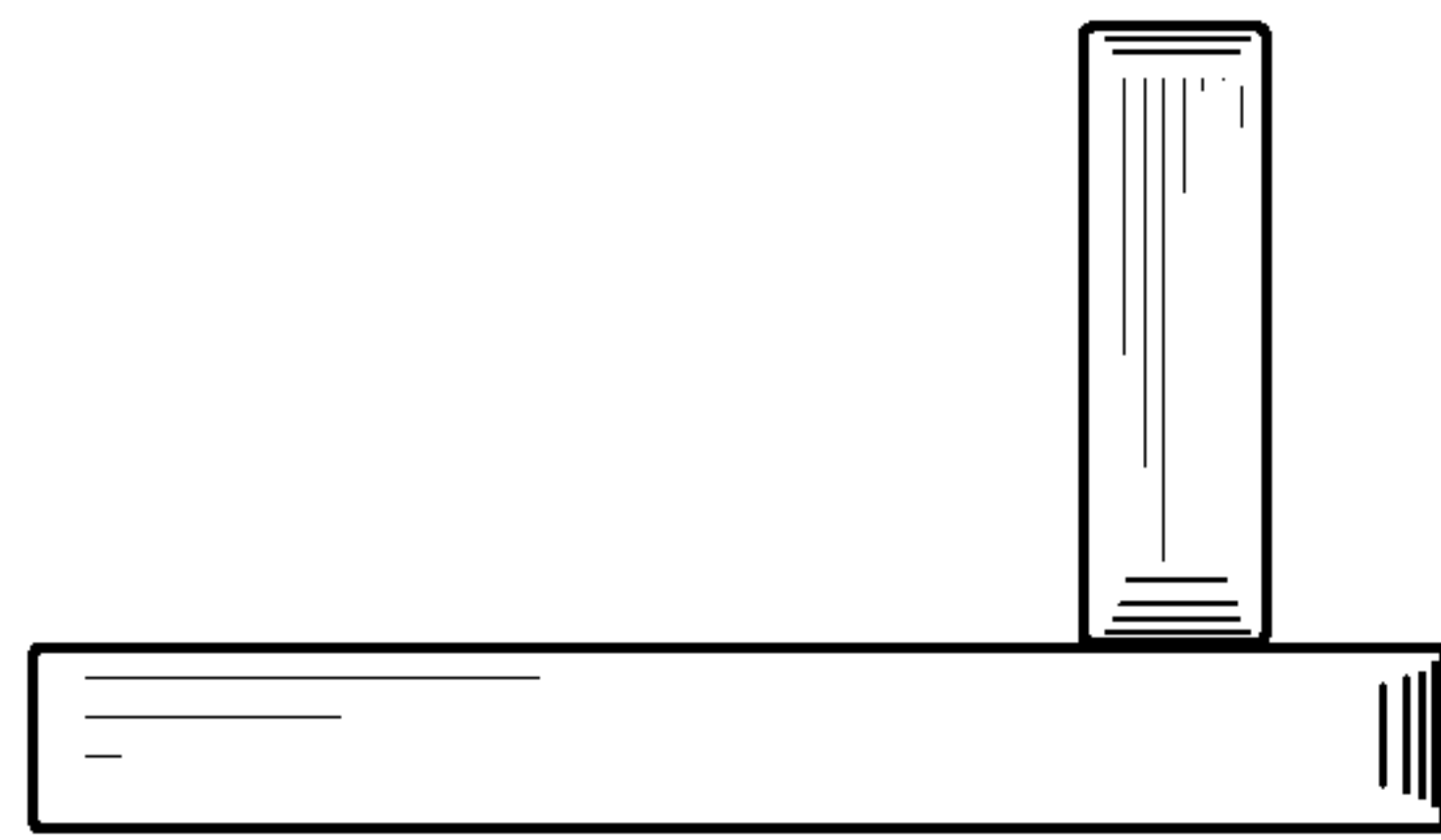


FIG. 4

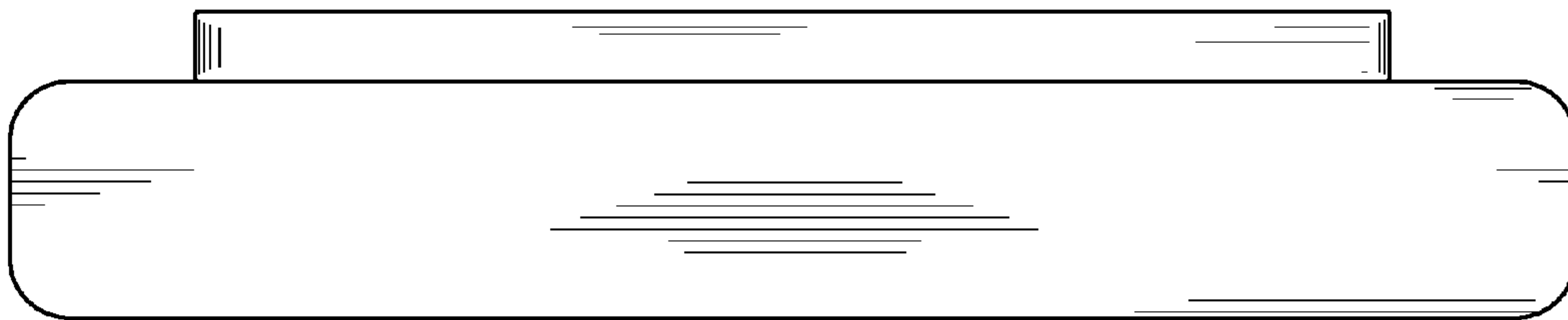


FIG. 5