



US00D716119S

(12) **United States Design Patent**
Elston

(10) **Patent No.:** **US D716,119 S**

(45) **Date of Patent:** **** Oct. 28, 2014**

(54) **SHOVEL**

(71) Applicant: **Dennis E. Elston**, Flint, MI (US)

(72) Inventor: **Dennis E. Elston**, Flint, MI (US)

(**) Term: **14 Years**

(21) Appl. No.: **29/485,173**

(22) Filed: **Mar. 17, 2014**

(51) **LOC (10) Cl.** **08-01**

(52) **U.S. Cl.**
USPC **D8/10**

(58) **Field of Classification Search**
USPC D8/1, 10, 11, 107; 294/49, 51, 54.5, 56,
294/59, 181; 172/371-372
See application file for complete search history.

(56) **References Cited**

U.S. PATENT DOCUMENTS

911,291	A *	2/1909	Byor	294/58
1,586,056	A *	5/1926	Walsh	294/58
4,129,327	A *	12/1978	Moore, Jr.	294/58
5,921,600	A *	7/1999	Lucas	294/58
D441,623	S *	5/2001	Storlie	D8/10

D520,819	S *	5/2006	Onembo	D8/10
7,331,620	B2 *	2/2008	Wang	294/58
D618,973	S *	7/2010	Gosselin	D8/10
D637,874	S *	5/2011	Blanchard	D8/10

* cited by examiner

Primary Examiner — Sheryl Lane

(74) *Attorney, Agent, or Firm* — Mitchell Law PLLC;
Matthew W. Mitchell

(57) **CLAIM**

The ornamental design for a shovel, as shown, and described.

DESCRIPTION

FIG. 1 is a front perspective view of the shovel of the present invention;

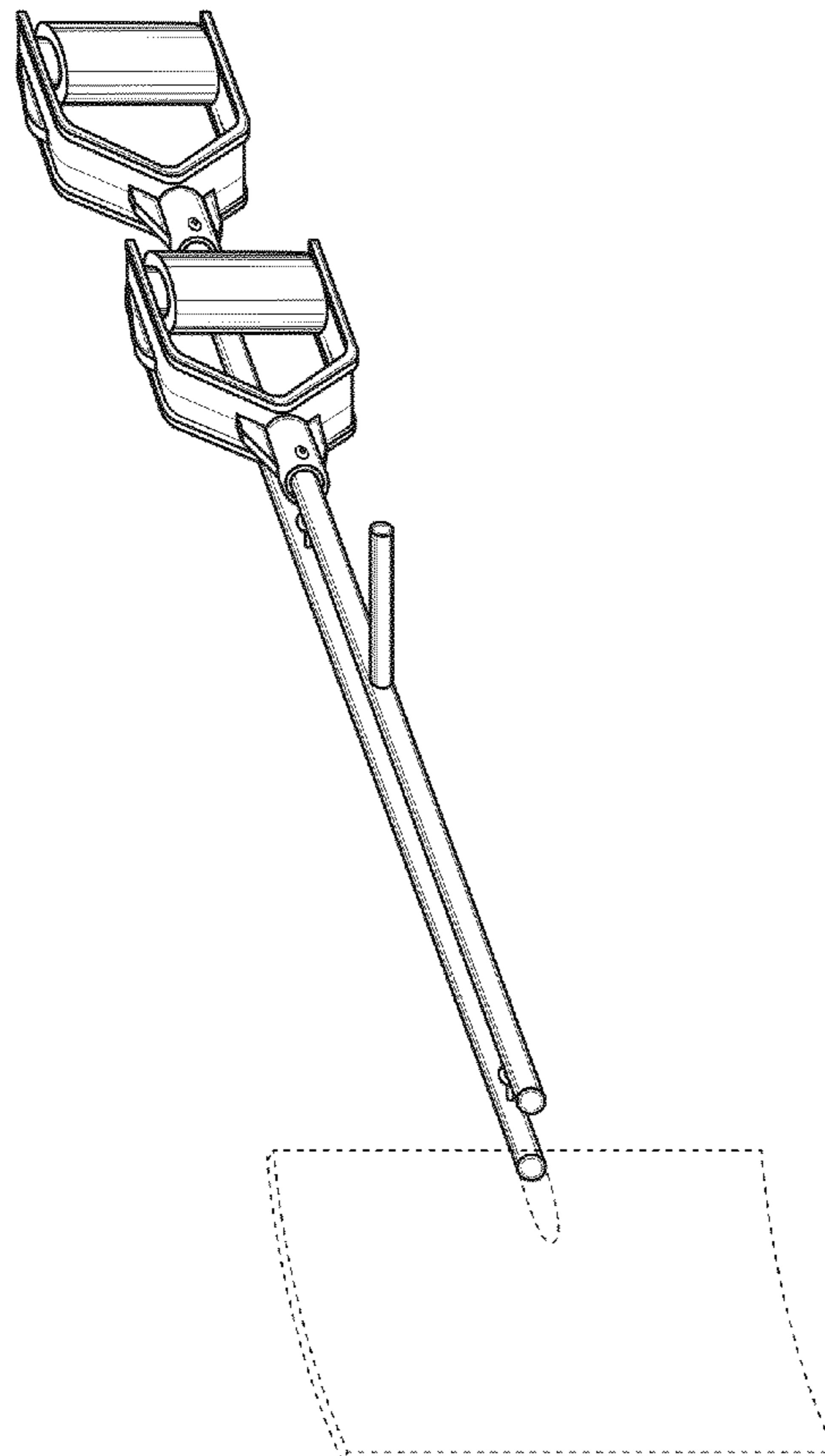
FIG. 2 is a front view of the shovel of FIG. 1;

FIG. 3 is a left side view of the shovel of FIG. 1 as seen from a left side of FIG. 2, the right side being a mirror image thereof; and,

FIG. 4 is a left side view of the shovel of FIG. 1 having the second shaft unattached to the main shaft, as seen from a left side of FIG. 2, the right side being a mirror image thereof.

The broken lines represent portions of the article and form no part of the claimed design.

1 Claim, 2 Drawing Sheets



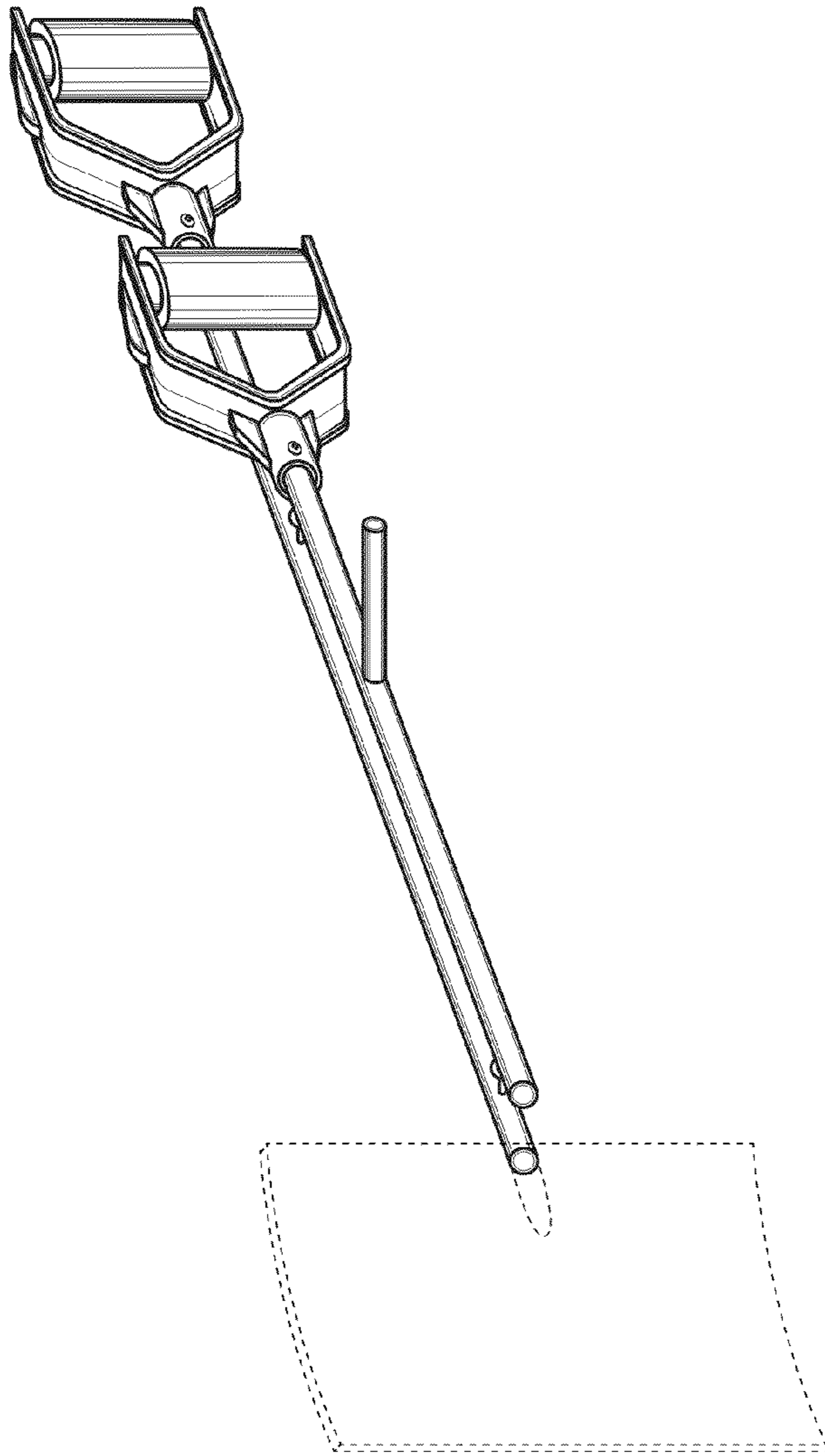


FIG. 1

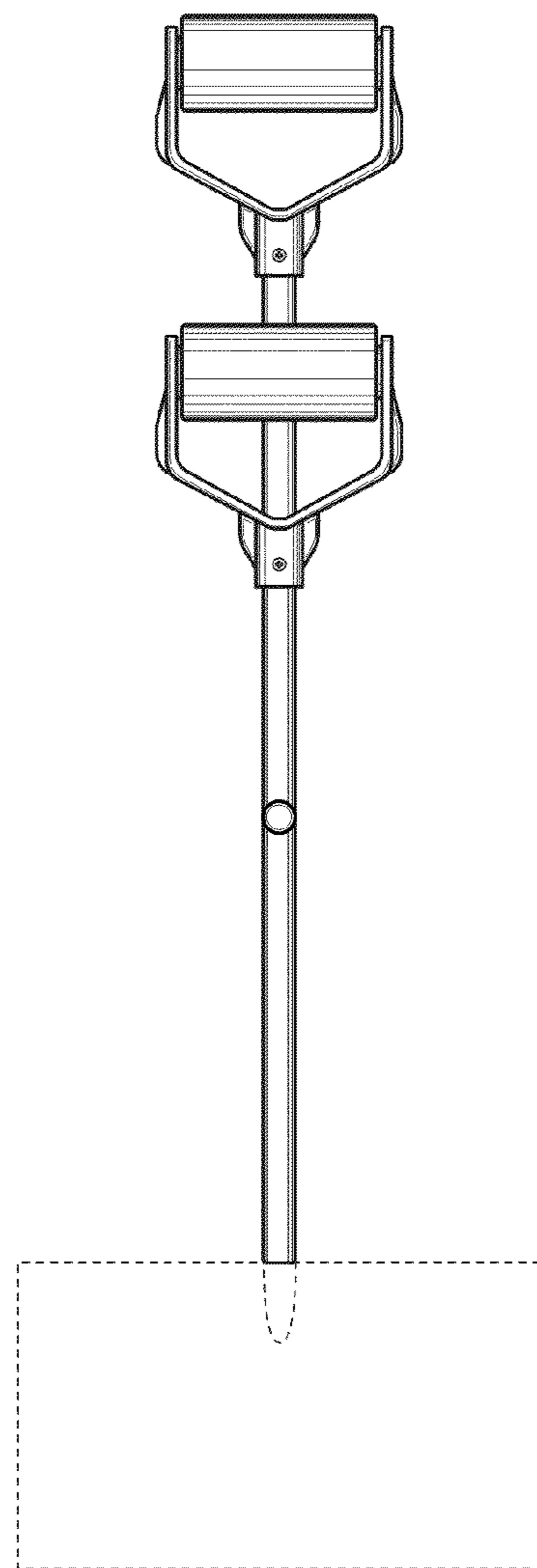


FIG. 2

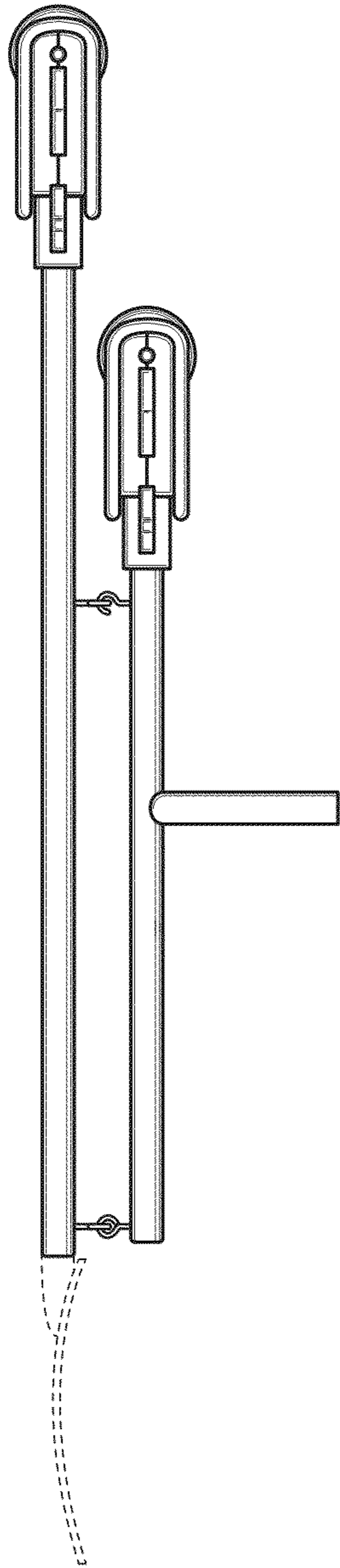


FIG. 3

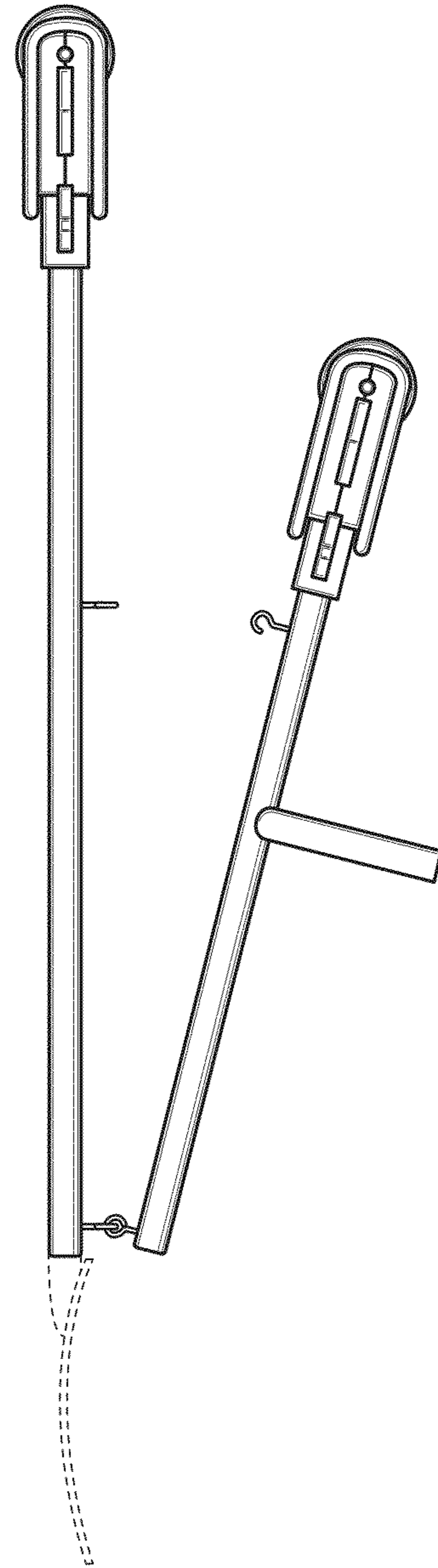


FIG. 4