



US00D716116S

(12) **United States Design Patent**
Yamamoto et al.

(10) **Patent No.:** **US D716,116 S**
(45) **Date of Patent:** **** Oct. 28, 2014**

(54) **COVER FOR BRUSHCUTTER**

FOREIGN PATENT DOCUMENTS

(75) Inventors: **Yuji Yamamoto**, Anjo (JP); **Yuki Nakamura**, Numazu (JP); **Yasuyuki Sakakibara**, Numazu (JP); **Ya Li Zhou**, Jiangsu (CN); **Zhi Qiang Lu**, Jiangsu (CN)

JP D1171933 S 4/2003

OTHER PUBLICATIONS

Makita website; Petrol Brushcutter EM4340L; www.makita.biz/product/category/ope/em4340l.html.

* cited by examiner

Primary Examiner — Sheryl Lane

(74) *Attorney, Agent, or Firm* — Global IP Counselors, LLP

(73) Assignee: **Makita Corporation**, Anjo-shi (JP)

(**) Term: **14 Years**

(21) Appl. No.: **29/417,318**

(57) **CLAIM**

The ornamental design for a cover for a brushcutter, as shown and described.

(22) Filed: **Apr. 2, 2012**

DESCRIPTION

(30) **Foreign Application Priority Data**

Oct. 14, 2011 (JP) 2011-23559

(51) **LOC (10) Cl.** **08-01**

(52) **U.S. Cl.**
USPC **D8/8**

(58) **Field of Classification Search**
CPC . A01D 34/416; A01D 34/4166; A01D 34/84;
A01D 34/90; A01D 34/4167; A01G 3/04
USPC D8/7-9; D15/17, 1; 30/276, 208-210,
30/228, 282-383; 56/12.7, 233-234
See application file for complete search history.

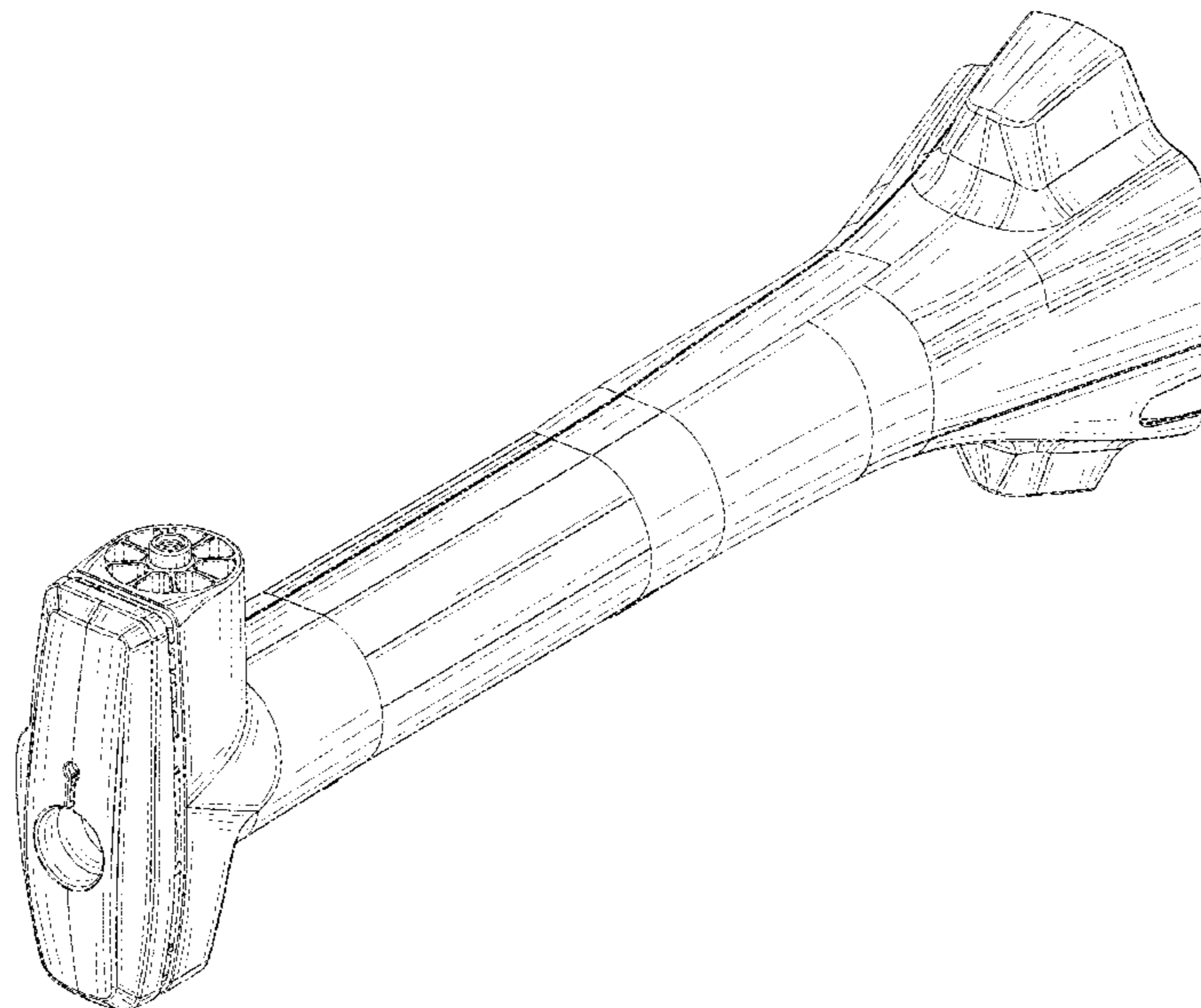
FIG. 1 is a front perspective view of a cover for a brushcutter in accordance with our new design;
FIG. 2 is a rear perspective view of the cover for a brushcutter in accordance with our new design;
FIG. 3 is a front elevational view of the cover for a brushcutter in accordance with our new design;
FIG. 4 is a rear elevational view of the cover for a brushcutter in accordance with our new design;
FIG. 5 is a top plan view of the cover for a brushcutter in accordance with our new design;
FIG. 6 is a bottom plan view of the cover for a brushcutter in accordance with our new design;
FIG. 7 is a right side elevational view of the cover for a brushcutter in accordance with our new design;
FIG. 8 is a left side elevational view of the cover for a brushcutter in accordance with our new design; and,
FIG. 9 is a front perspective view of the cover for a brushcutter in accordance with our new design illustrating a state in which the cover for a brushcutter is attached to the brushcutter.
The broken lines in FIGS. 1, 2, and 4-9 represent environment and form no part of the claimed design.

(56) **References Cited**

U.S. PATENT DOCUMENTS

5,979,064 A * 11/1999 Kitz et al. 30/347
6,082,087 A * 7/2000 Tada et al. 56/255
6,701,623 B2 * 3/2004 Sanders 30/276
D609,067 S * 2/2010 Tinius D8/8
D648,194 S * 11/2011 Tinius D8/8
8,127,455 B2 * 3/2012 Wenckel et al. 30/276
D672,624 S * 12/2012 Naas D8/8

1 Claim, 8 Drawing Sheets



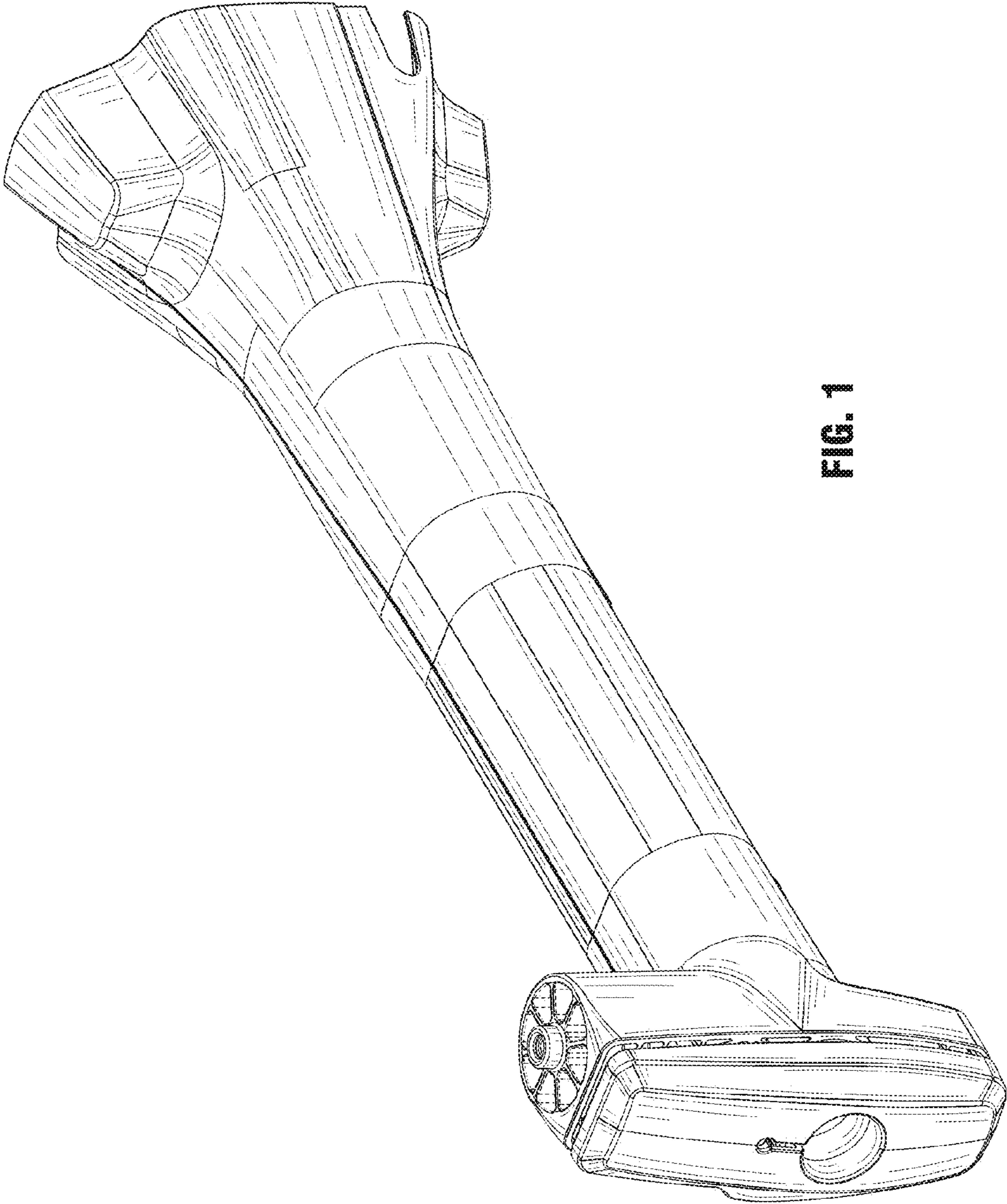


FIG. 1

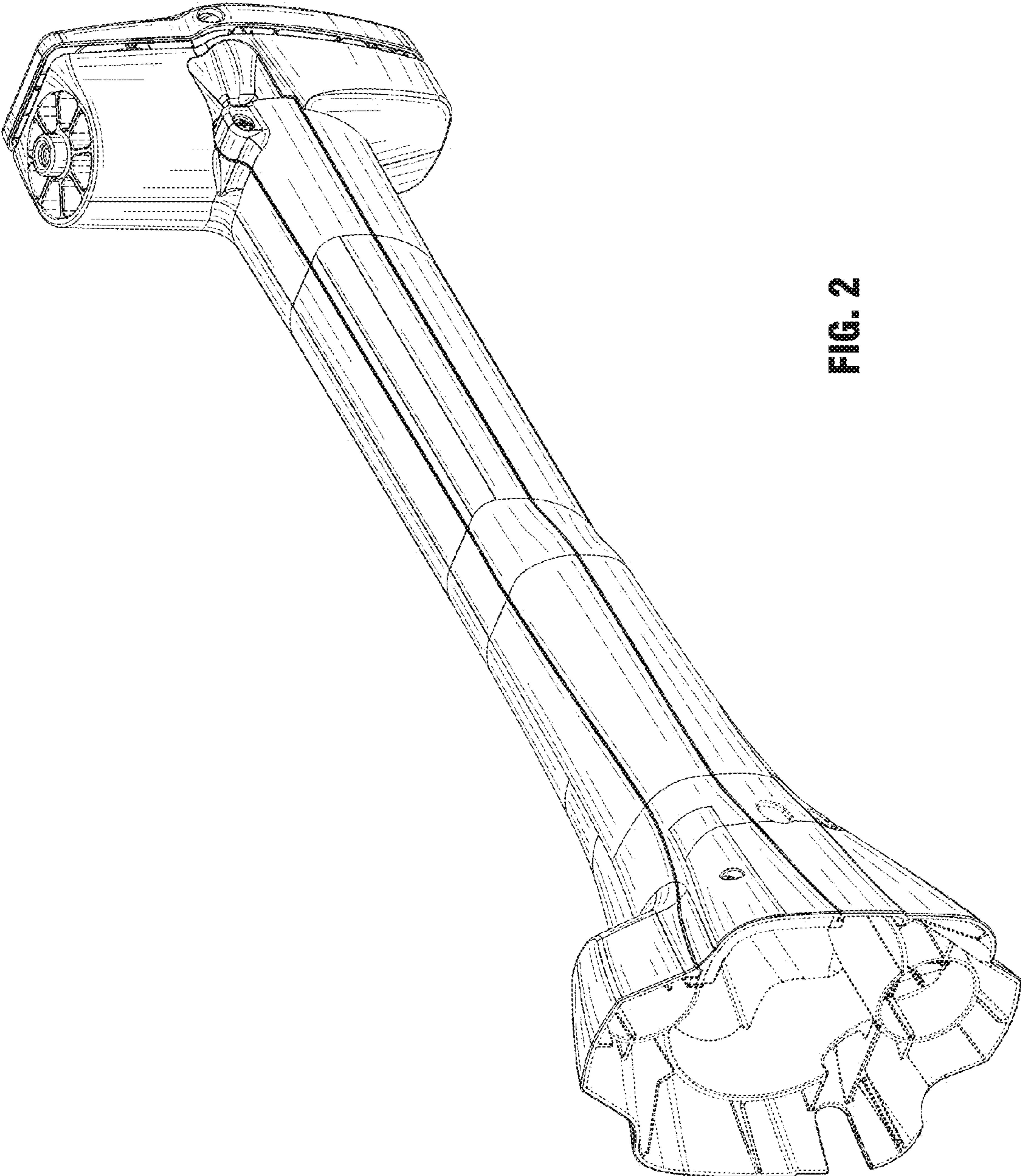


FIG. 2

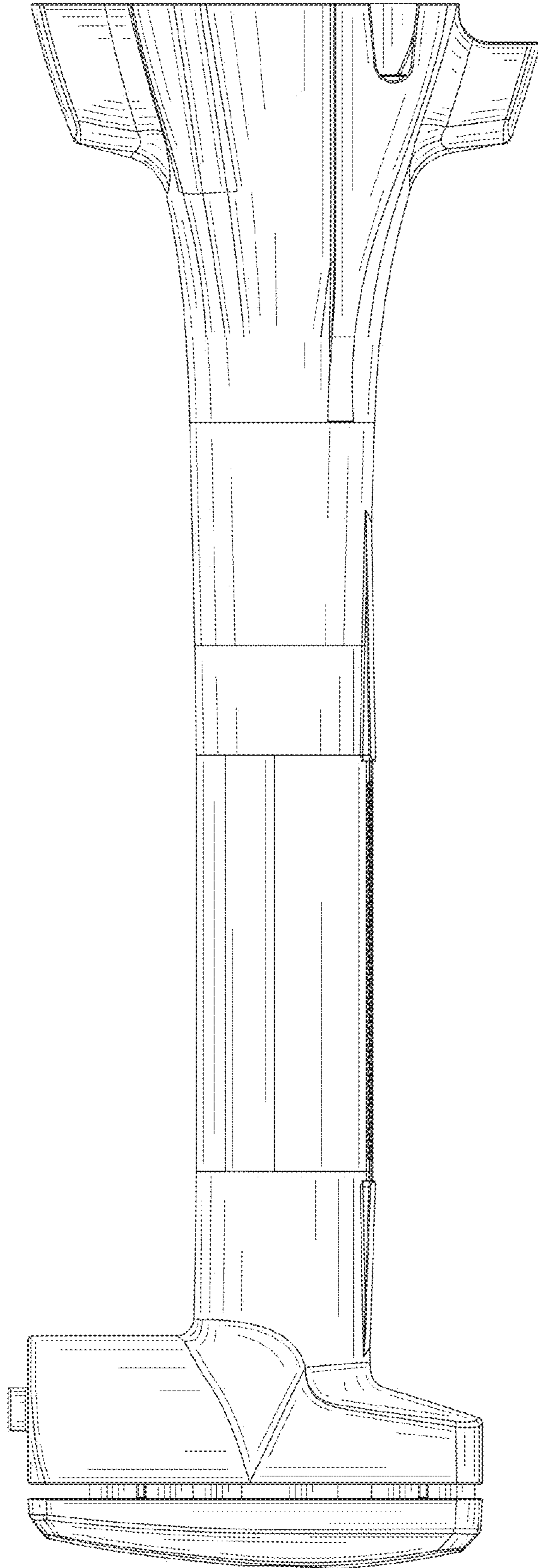


FIG. 3

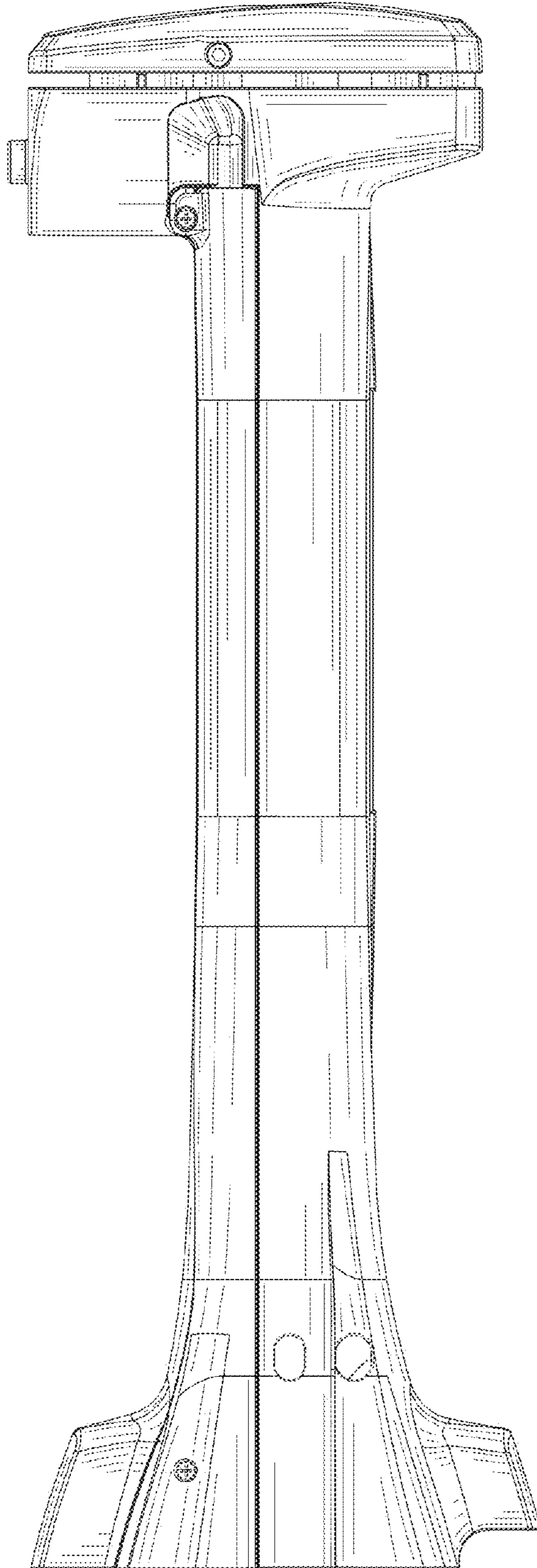


FIG. 4

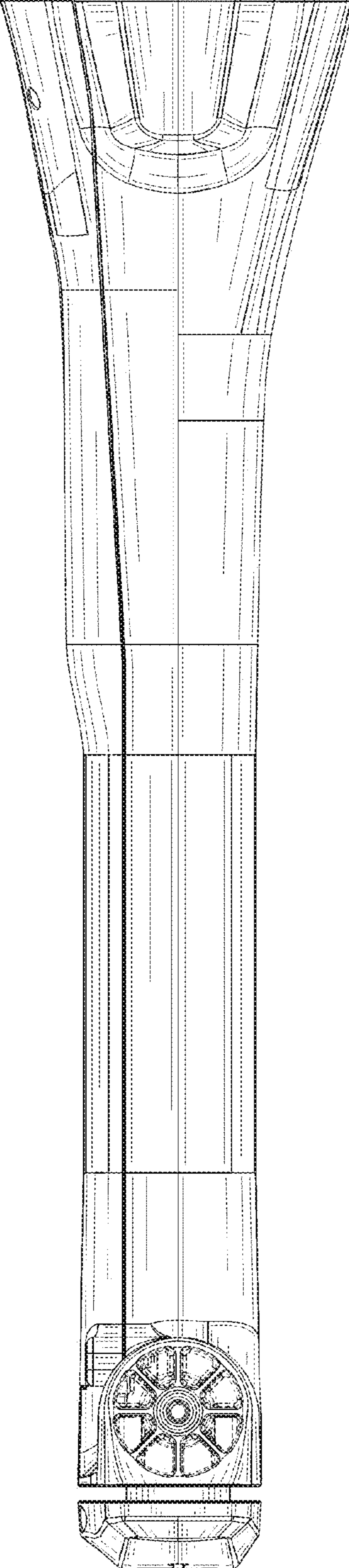


FIG. 5

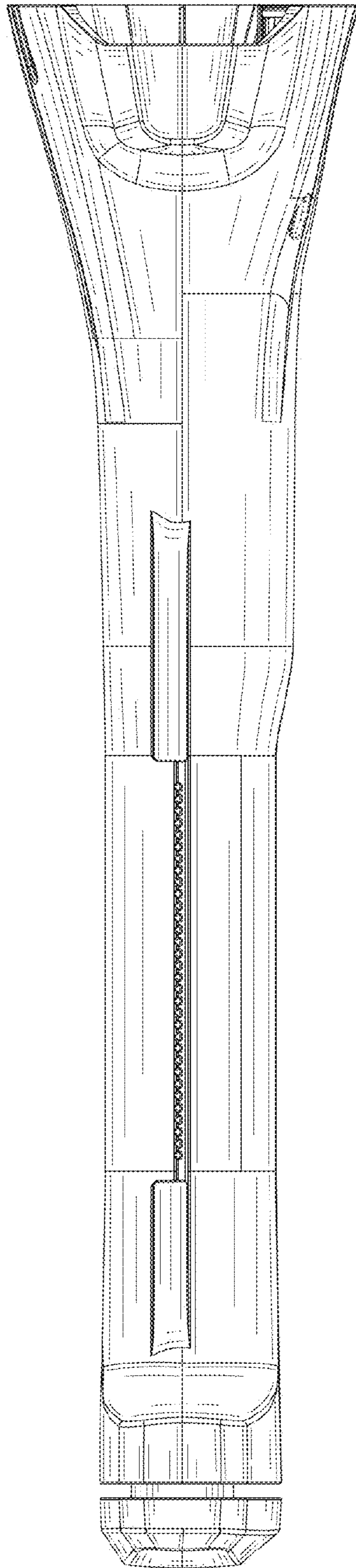


FIG. 6

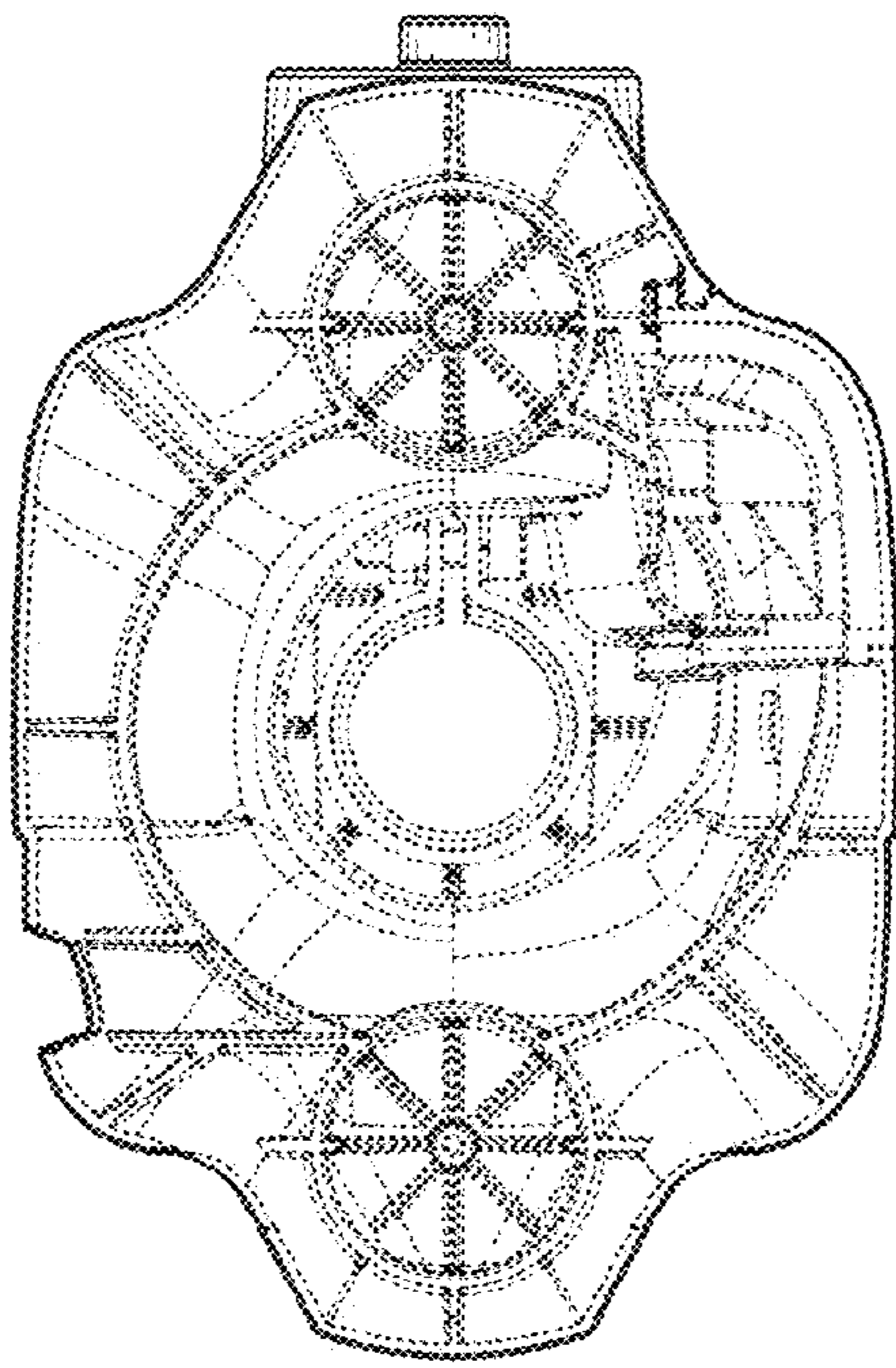


FIG. 7

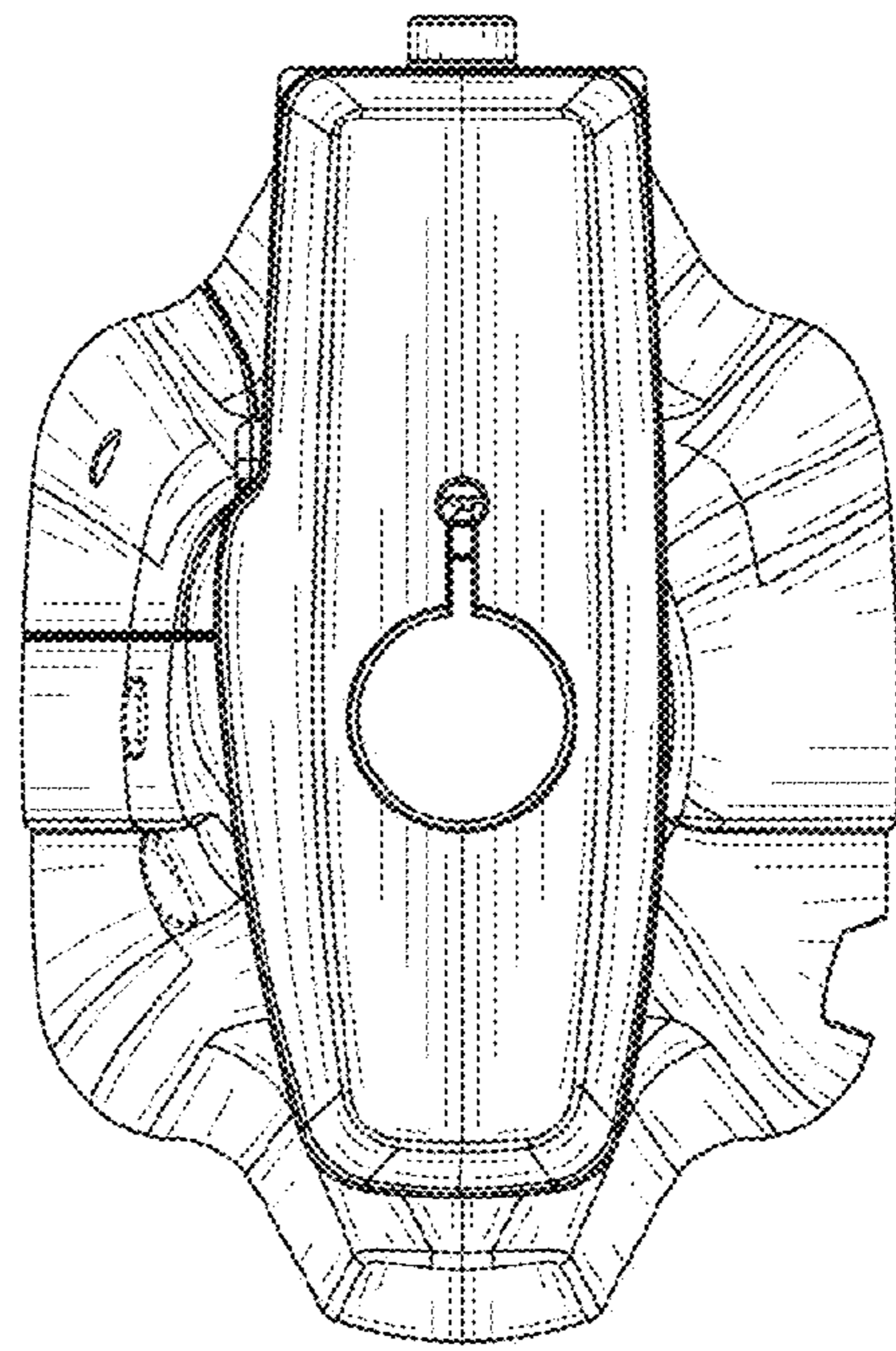


FIG. 8

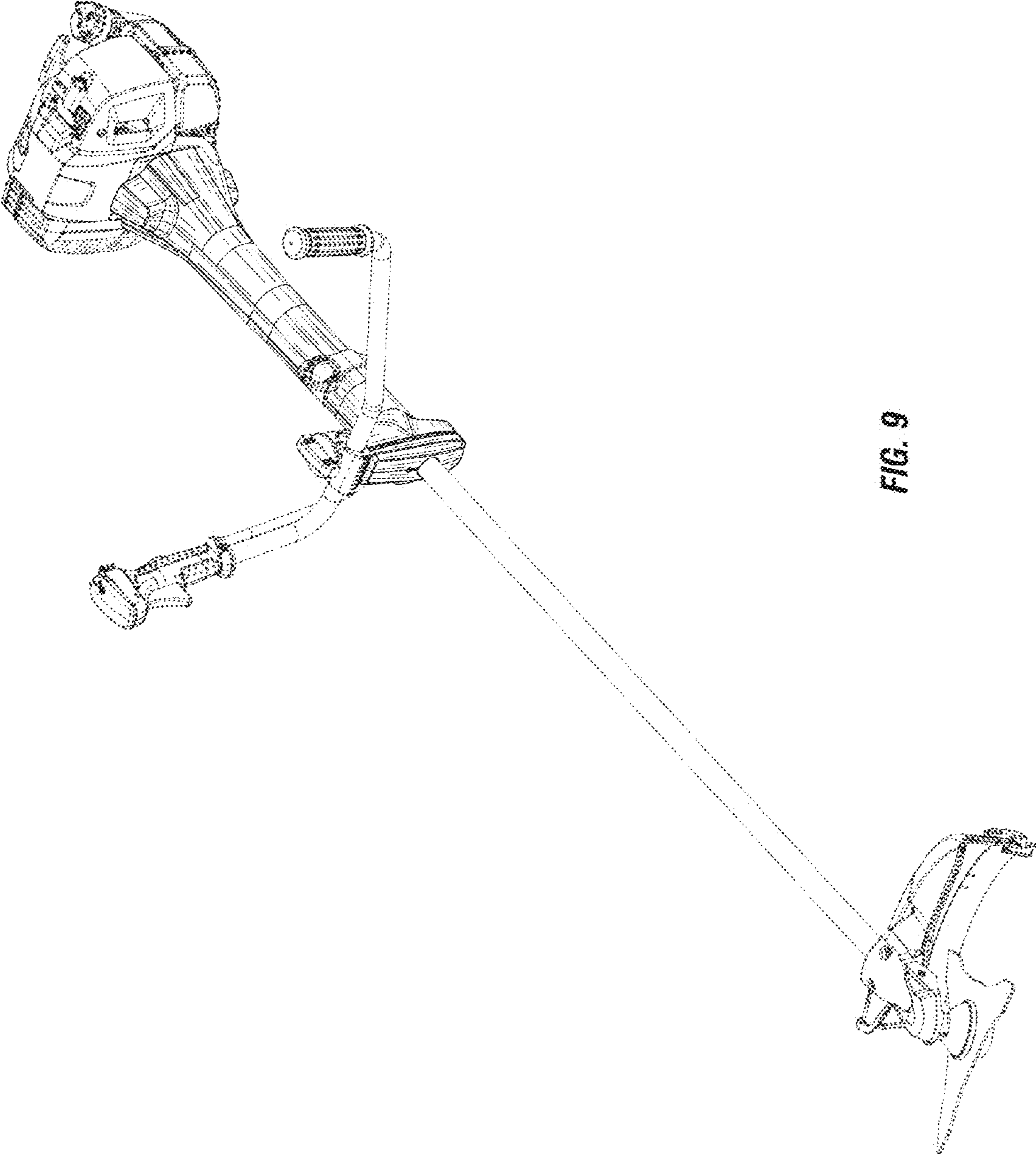


FIG. 9