



US00D716115S

(12) **United States Design Patent**
Lyytikäinen et al.

(10) **Patent No.:** **US D716,115 S**
(45) **Date of Patent:** **** Oct. 28, 2014**

(54) **PRUNER**

(71) Applicant: **Fiskars Brands Finland Oy Ab**, Billnäs (FI)

(72) Inventors: **Sami Lyytikäinen**, Lohja (FI);
Olli-Pekka Väänttilä, Lohja (FI); **Petteri Masalin**, Helsinki (FI)

(73) Assignee: **Fiskars Brands Finland Oy Ab**, Billnäs (FI)

(**) Term: **14 Years**

(21) Appl. No.: **29/479,674**

(22) Filed: **Jan. 17, 2014**

Related U.S. Application Data

(62) Division of application No. 29/456,733, filed on Jun. 3, 2013, now Pat. No. Des. 706,097.

(30) **Foreign Application Priority Data**

Dec. 17, 2012 (EM) 002154146-0005
Dec. 17, 2012 (EM) 002154146-0008
Dec. 17, 2012 (EM) 002154146-0009

(51) **LOC (10) Cl.** **08-01**

(52) **U.S. Cl.**
USPC **D8/5**

(58) **Field of Classification Search**

CPC A01G 3/08; A01G 3/02; A01G 3/0251;
A01G 3/0255; B26B 13/26; B26B 17/00
USPC D8/4, 5, 52, 57-58; 30/251-252,
30/261-262, 266, 287, 131, 135

See application file for complete search history.

(56) **References Cited**

U.S. PATENT DOCUMENTS

3,559,286 A 2/1971 Pfaffenback
D301,538 S 6/1989 Pittaway
D305,090 S 12/1989 Collins et al.
D324,470 S * 3/1992 Grove D8/5
D336,222 S 6/1993 Wensley et al.
D336,412 S 6/1993 Wensley et al.
D337,033 S 7/1993 DeVille

(Continued)

OTHER PUBLICATIONS

U.S. Appl. No. 29/426,223, filed Jul. 2, 2012, Sade et al.

(Continued)

Primary Examiner — Sheryl Lane

(74) *Attorney, Agent, or Firm* — Foley & Lardner LLP

(57) **CLAIM**

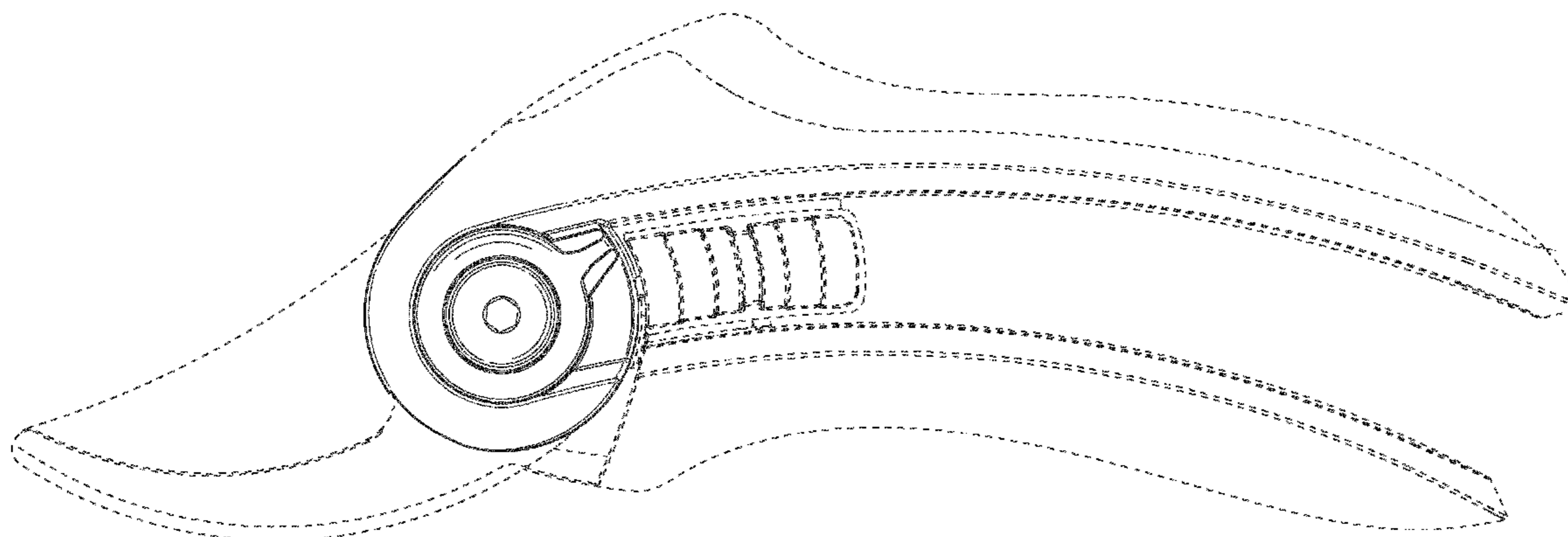
We claim the ornamental design for a pruner, as shown and described.

DESCRIPTION

FIG. 1 is a front elevation view of the claimed design;
FIG. 2 is a rear elevation view of the claimed design of FIG. 1;
FIG. 3 is a front, left perspective view of the claimed design of FIG. 1;
FIG. 4 is a rear, right perspective view of the claimed design of FIG. 1;
FIG. 5 is a rear, left perspective view of the claimed design of FIG. 1; and,
FIG. 6 is a front, right perspective view of the claimed design of FIG. 1.

The ornamental design which is claimed is shown in solid lines in the drawings. The broken lines represent portions of the pruner and form no part of the claimed design.

1 Claim, 6 Drawing Sheets



(56)

References Cited

U.S. PATENT DOCUMENTS

5,243,762 A * 9/1993 Orthey 30/254
 D341,526 S 11/1993 Clivio
 5,263,254 A * 11/1993 Orthey 30/254
 D342,652 S 12/1993 Wensley et al.
 D361,700 S 8/1995 Birkholz
 D369,531 S 5/1996 Birkholz
 D377,588 S 1/1997 Birkholz
 D438,071 S 2/2001 Deville
 D439,117 S 3/2001 Deville
 D439,812 S * 4/2001 Staton D8/5
 D463,227 S 9/2002 Choi
 D469,323 S 1/2003 Linden
 D472,433 S 4/2003 Richwine et al.
 D499,316 S 12/2004 Tatic
 D501,378 S 2/2005 Tatic
 D501,379 S 2/2005 Lipscomb et al.
 D503,595 S 4/2005 Lipscomb et al.
 6,964,099 B1 11/2005 Zeng
 D547,139 S * 7/2007 Shan D8/5
 D552,435 S 10/2007 Bohlman et al.

D571,169 S * 6/2008 Pollock et al. D8/5
 D584,121 S 1/2009 Fancelli
 D585,250 S * 1/2009 Lee et al. D8/5
 D585,251 S 1/2009 Lee et al.
 7,640,667 B2 1/2010 Pollock et al.
 D628,031 S 11/2010 Stokes et al.
 D628,032 S 11/2010 Stokes et al.
 D648,192 S 11/2011 Wu
 D648,605 S 11/2011 Lee
 D649,420 S 11/2011 Cunningham et al.
 D651,053 S 12/2011 Roberts et al.
 D651,487 S 1/2012 Roberts et al.
 D652,272 S 1/2012 Atnip et al.
 8,109,003 B2 * 2/2012 Liu 30/236
 D655,990 S 3/2012 Block et al.
 8,220,163 B2 7/2012 Linden et al.
 D680,829 S 4/2013 Nelson et al.
 D698,214 S * 1/2014 Sade et al. D8/5
 2010/0043238 A1 2/2010 Linden et al.

OTHER PUBLICATIONS

U.S. Appl. No. 29/426,233, filed Jul. 2, 2012, Sade et al.

* cited by examiner

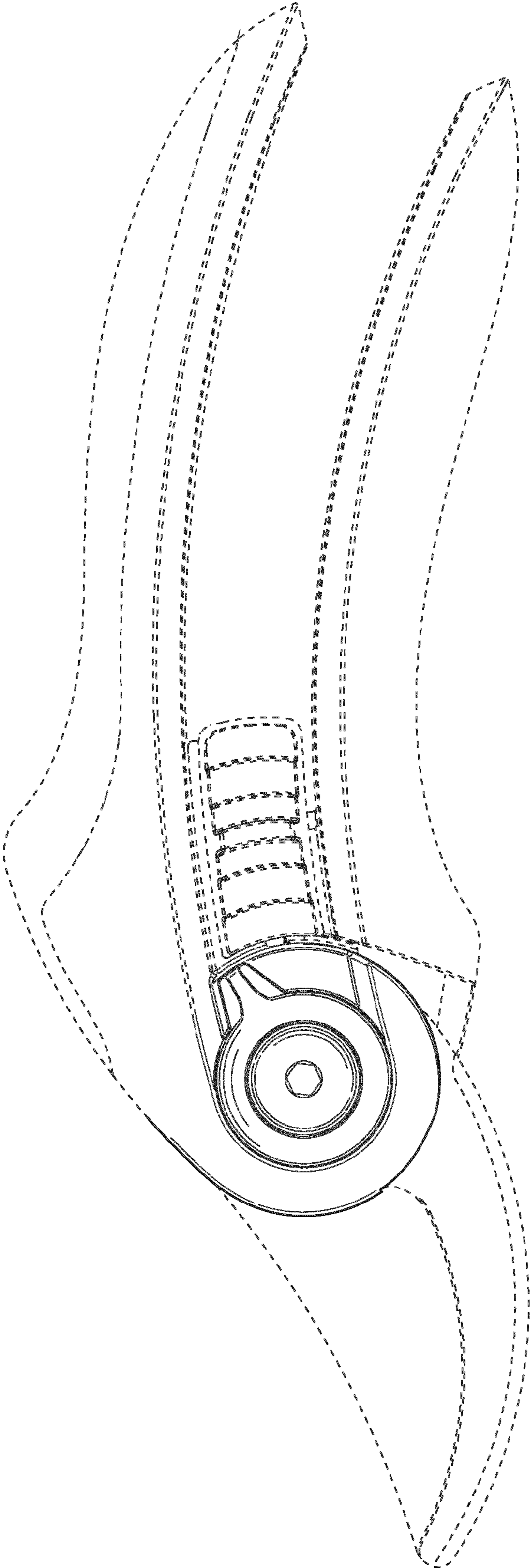


FIG. 7

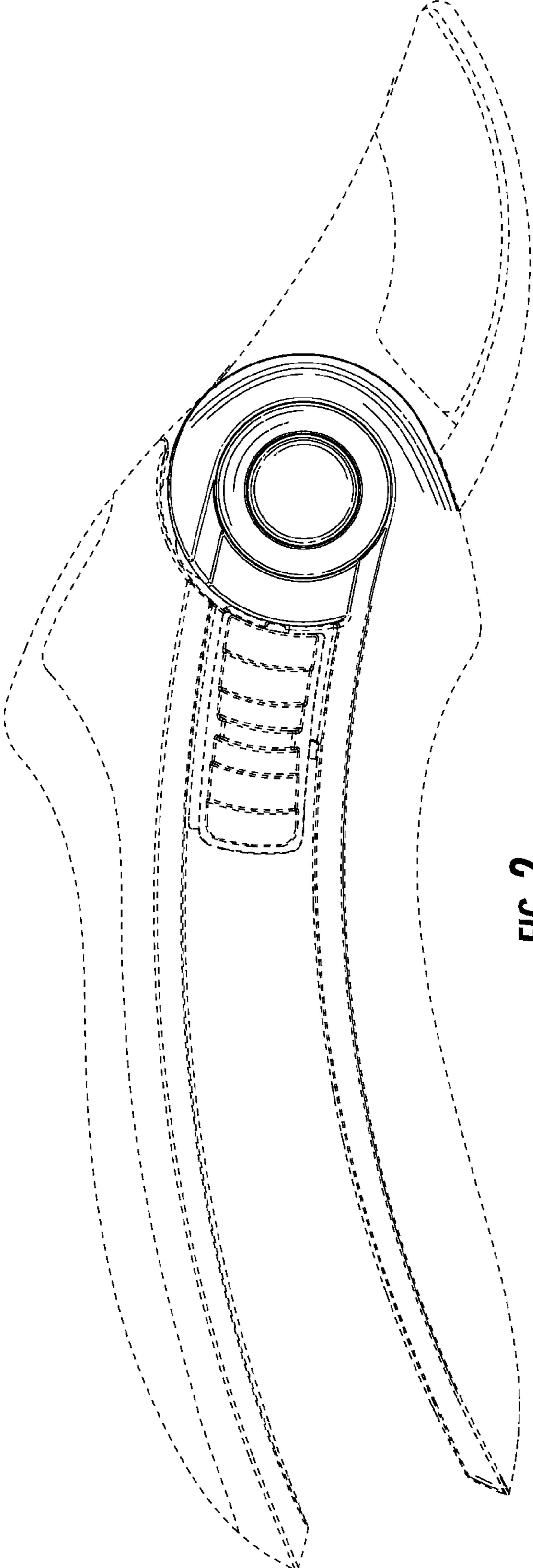


FIG. 2

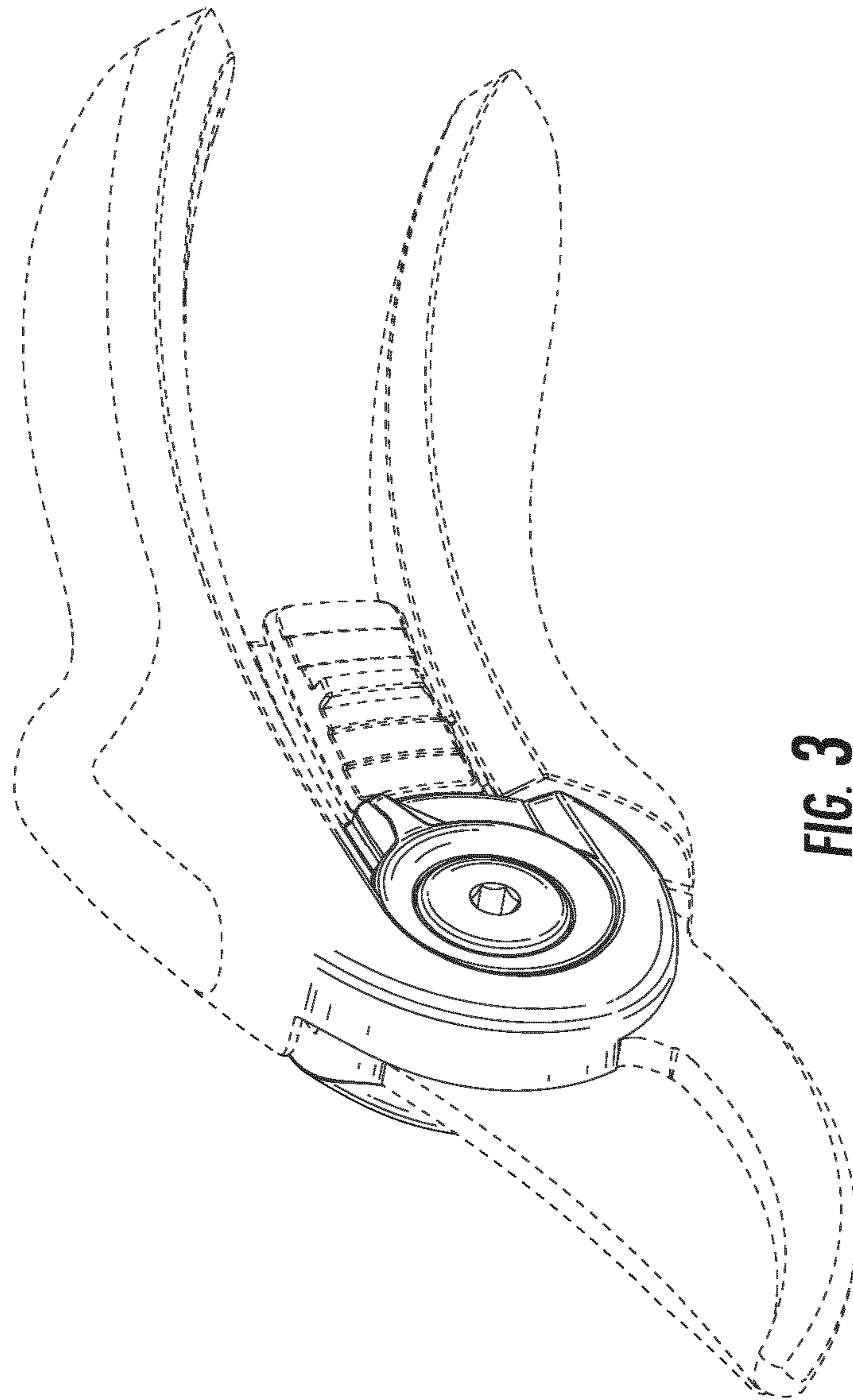


FIG. 3

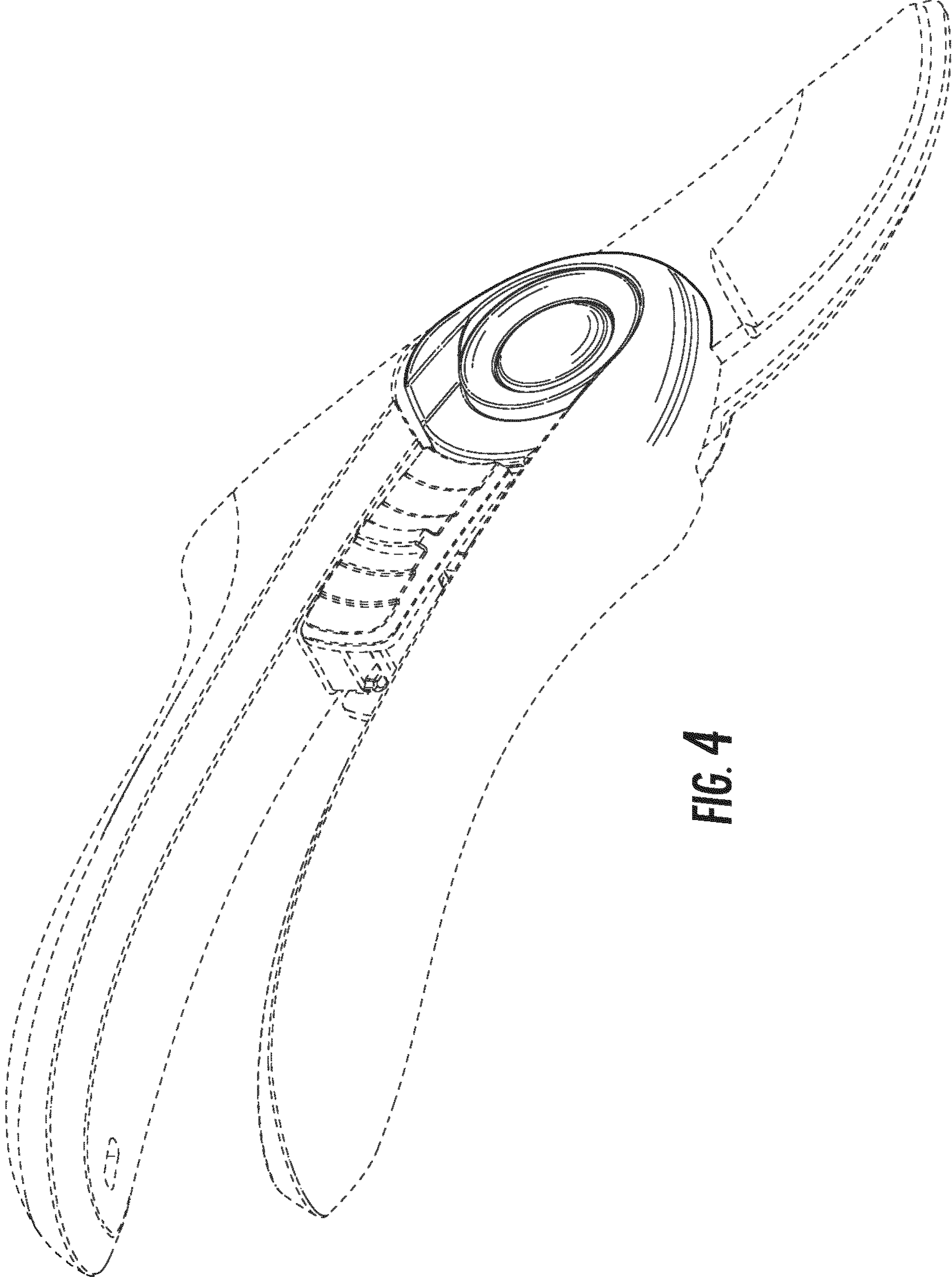


FIG. 4

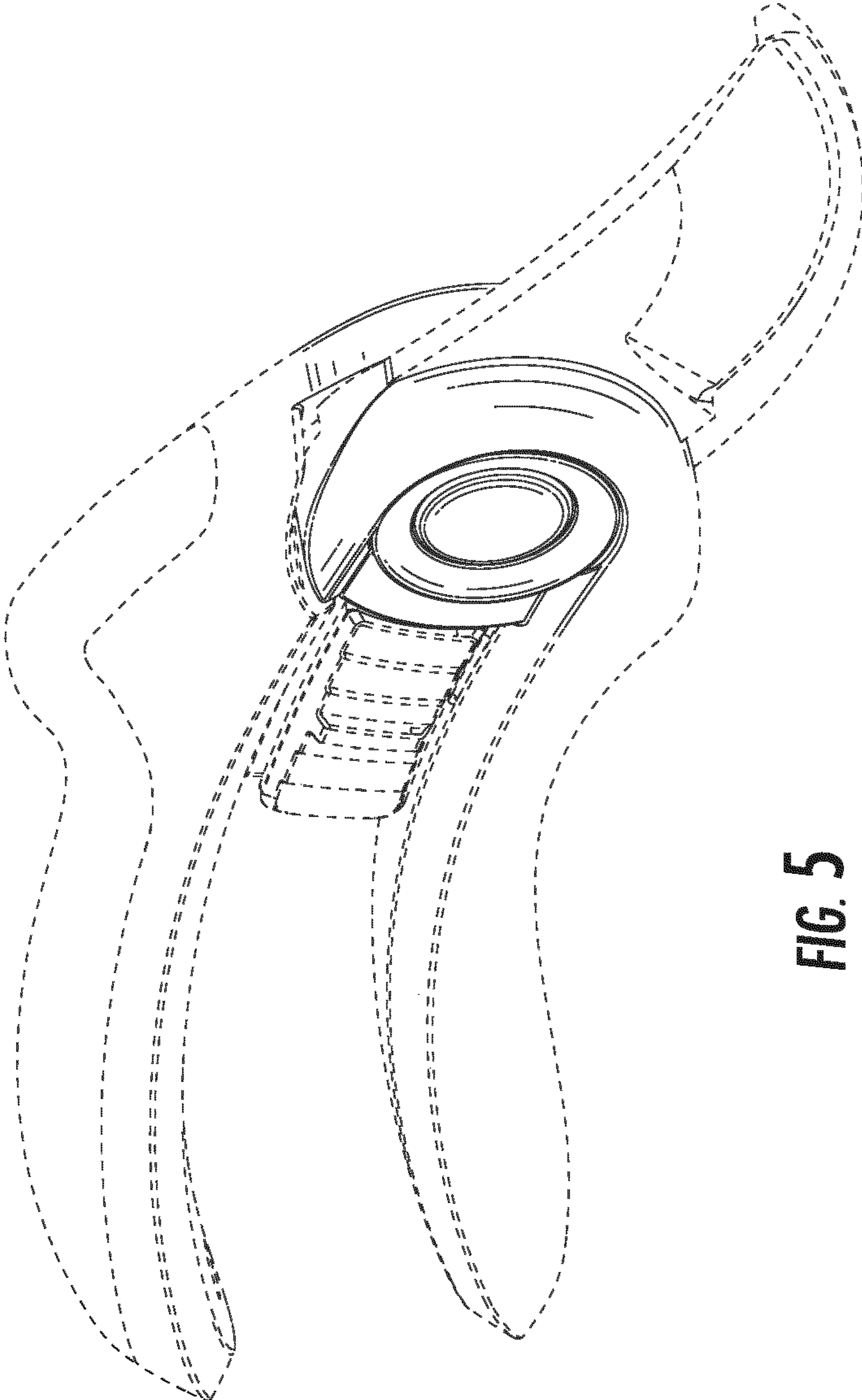


FIG. 5

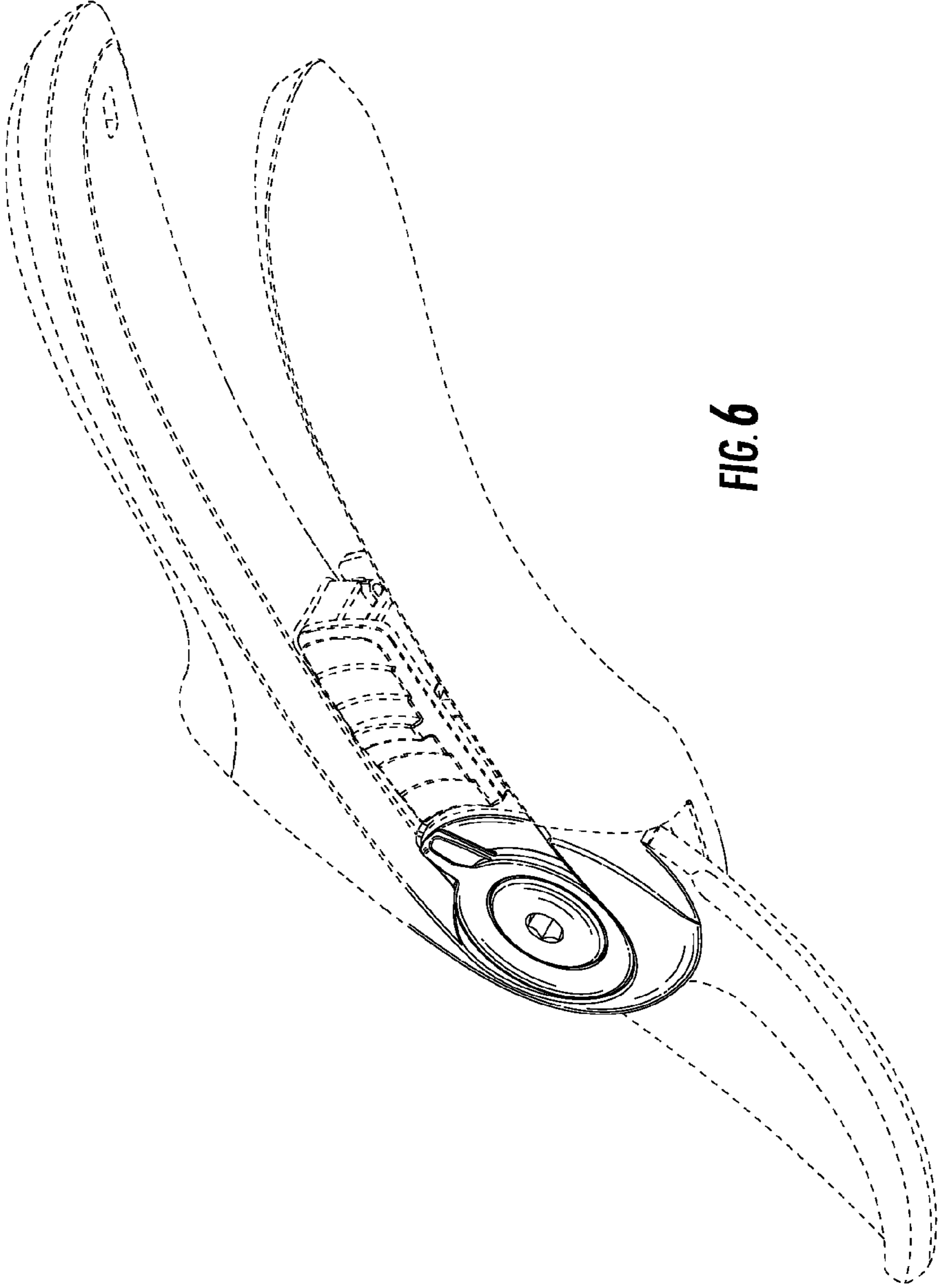


FIG. 6