



US00D716113S

(12) **United States Design Patent**
Mull

(10) **Patent No.:** **US D716,113 S**
(45) **Date of Patent:** **** Oct. 28, 2014**

(54) **LANDSCAPING TIMBER WITH SURFACING GUIDE**

D649,268 S * 11/2011 Wink D25/164
D654,191 S * 2/2012 Wink D25/164
8,167,512 B2 * 5/2012 Christensen 404/6

(71) Applicant: **Action Play Systems, LLC**, Cornelius, NC (US)

* cited by examiner

(72) Inventor: **Steven J. Mull**, Mooresville, NC (US)

Primary Examiner — Sheryl Lane

(73) Assignee: **Action Play Systems, LLC**, Cornelius, NC (US)

(74) *Attorney, Agent, or Firm* — Trego, Hines & Ladenheim, PLLC

(**) Term: **14 Years**

(57) **CLAIM**

I claim the ornamental design for a landscaping timber with surfacing guide, as shown and described.

(21) Appl. No.: **29/446,635**

DESCRIPTION

(22) Filed: **Feb. 26, 2013**

(51) **LOC (10) Cl.** **08-01**

(52) **U.S. Cl.**
USPC **D8/1; D25/164**

(58) **Field of Classification Search**
USPC D8/1; D25/164, 113, 138; 47/46, 32.4, 47/33; 52/102, 233
See application file for complete search history.

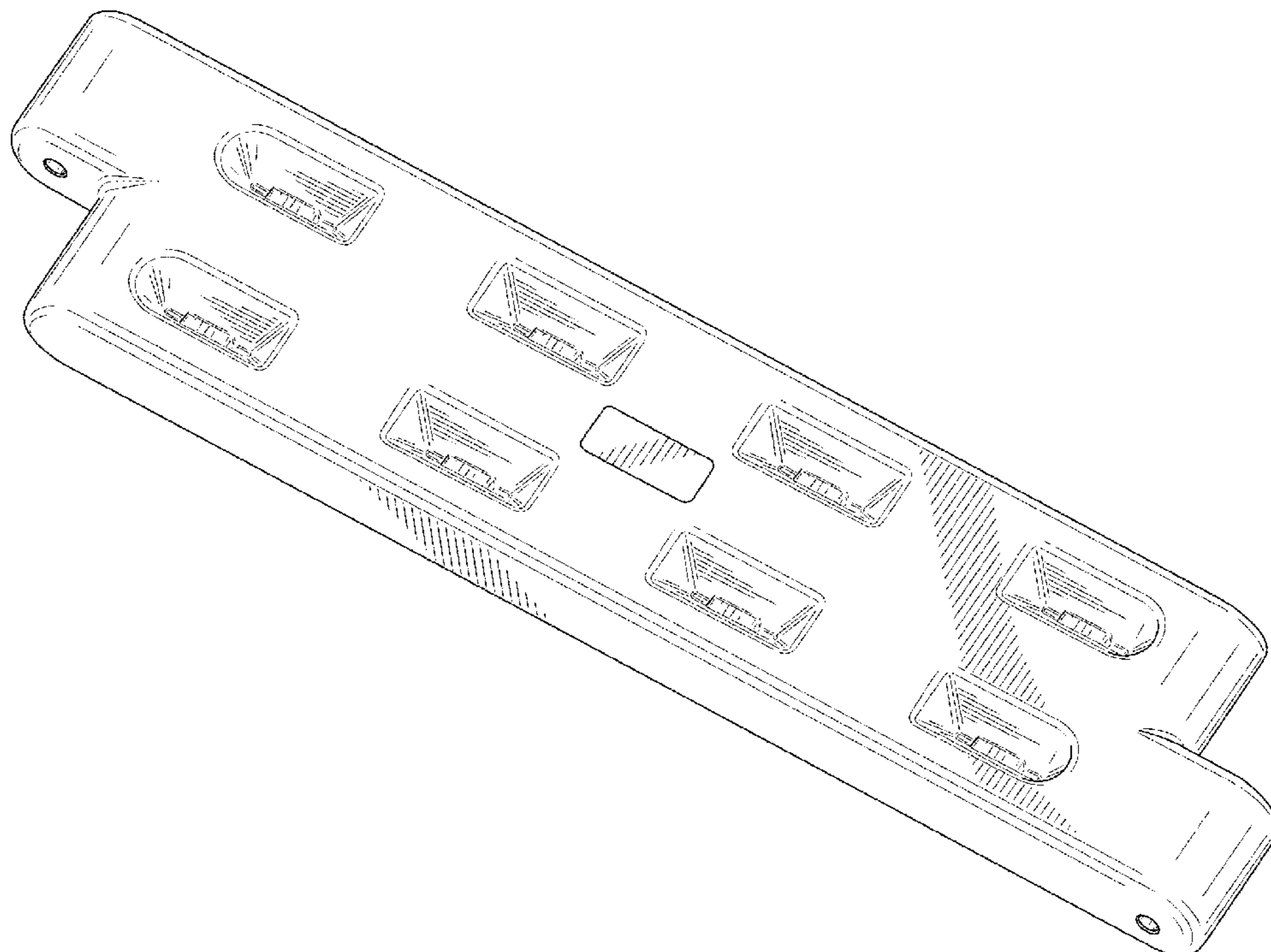
FIG. 1 is a from perspective view of a landscaping timber with a surfacing guide, showing my new design;
FIG. 2 is a front elevational view of the landscaping timber with a surfacing guide of FIG. 1;
FIG. 3 is a rear elevational view of the landscaping timber with a surfacing guide of FIG. 1;
FIG. 4 is a top plan view of the landscaping timber with a surfacing guide of FIG. 1;
FIG. 5 is a bottom plan view of the landscaping timber with a surfacing guide of FIG. 1;
FIG. 6 is a left side elevational view of the landscaping timber with a surfacing guide of FIG. 1;
FIG. 7 is a right side elevational view of the landscaping timber with a surfacing guide of FIG. 1; and,
FIG. 8 is a rear perspective view of the landscaping timber with a surfacing guide of FIG. 1.
The broken lines shown in the figures are for environmental purposes only and form no part of the claimed design.

(56) **References Cited**

U.S. PATENT DOCUMENTS

4,905,409 A * 3/1990 Cole 47/33
D371,446 S * 7/1996 VanDeusen D25/113
6,418,675 B1 * 7/2002 Peggs et al. 52/102
D536,584 S * 2/2007 Petty D8/1
D555,804 S * 11/2007 Christensen D25/38.1
D595,872 S * 7/2009 Dunn D25/164
D595,873 S * 7/2009 Dunn D25/164

1 Claim, 7 Drawing Sheets



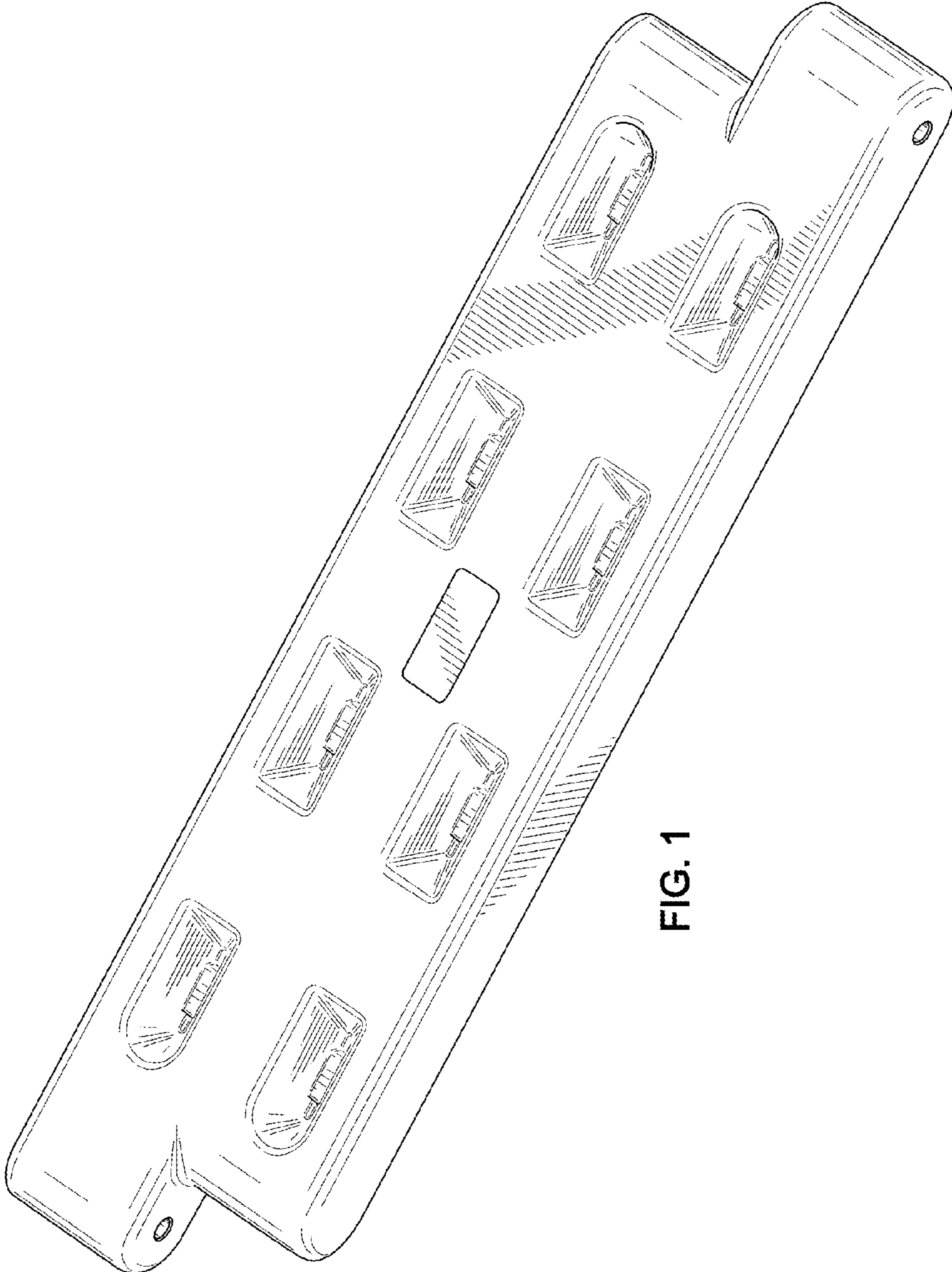


FIG. 1

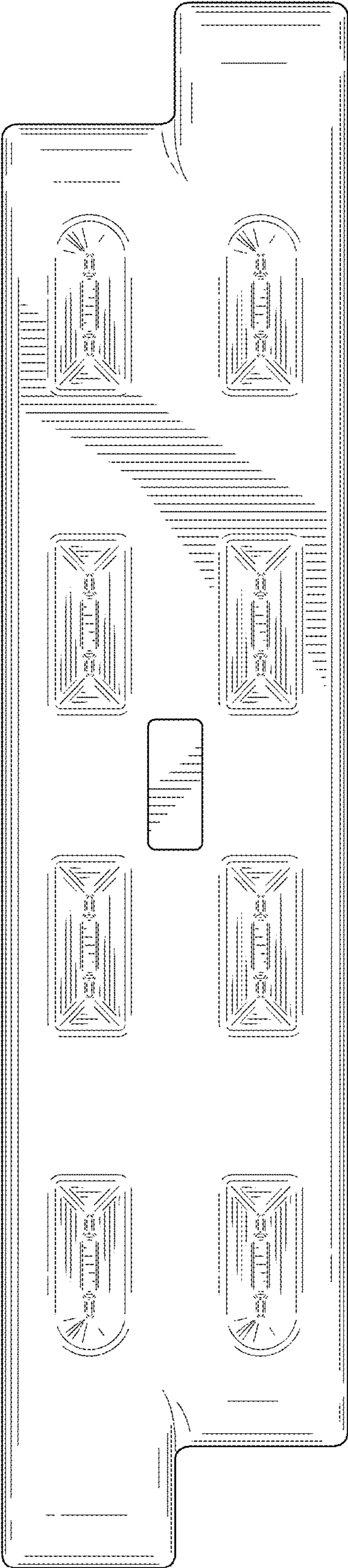


FIG. 2

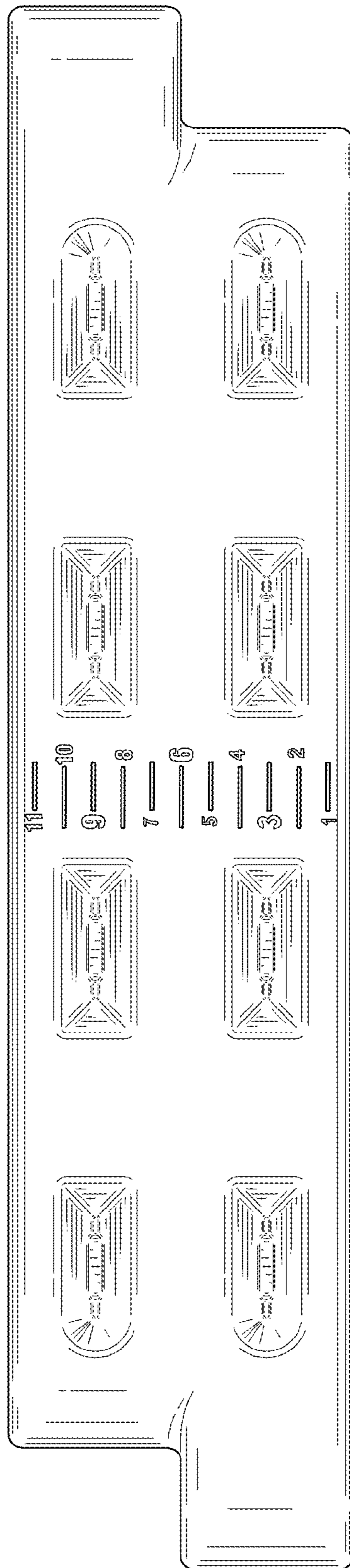


FIG. 3

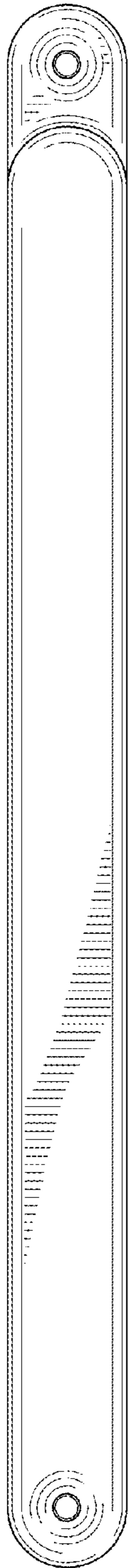


FIG. 4

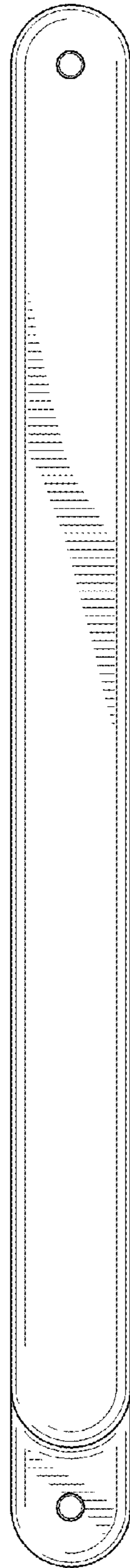


FIG. 5

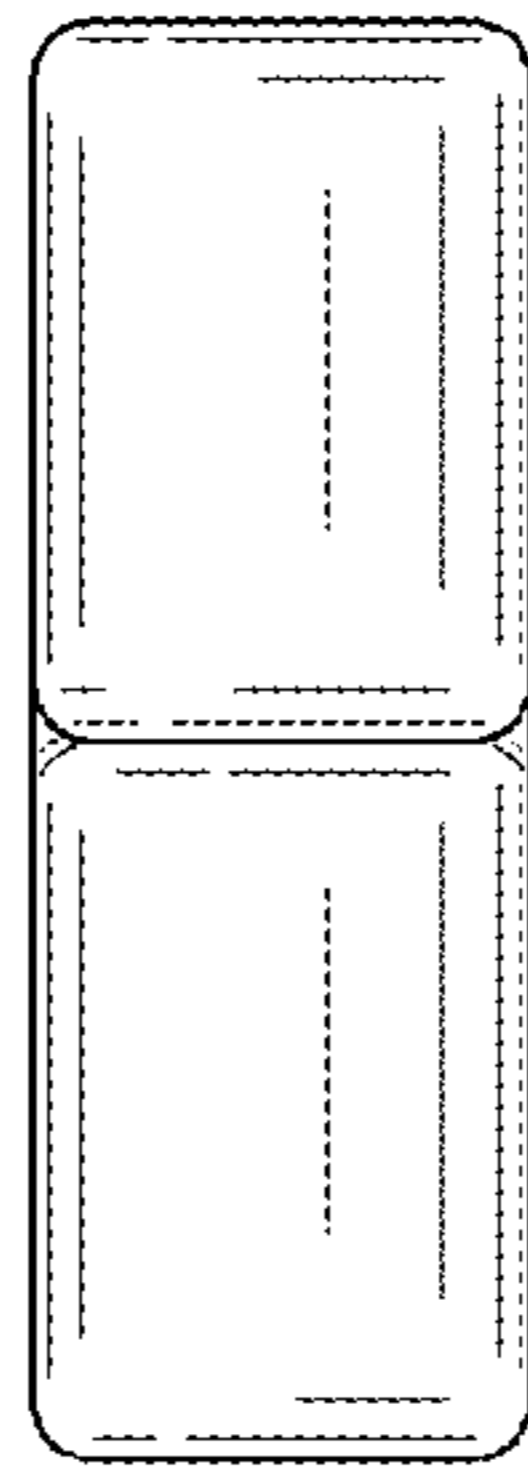


FIG. 6

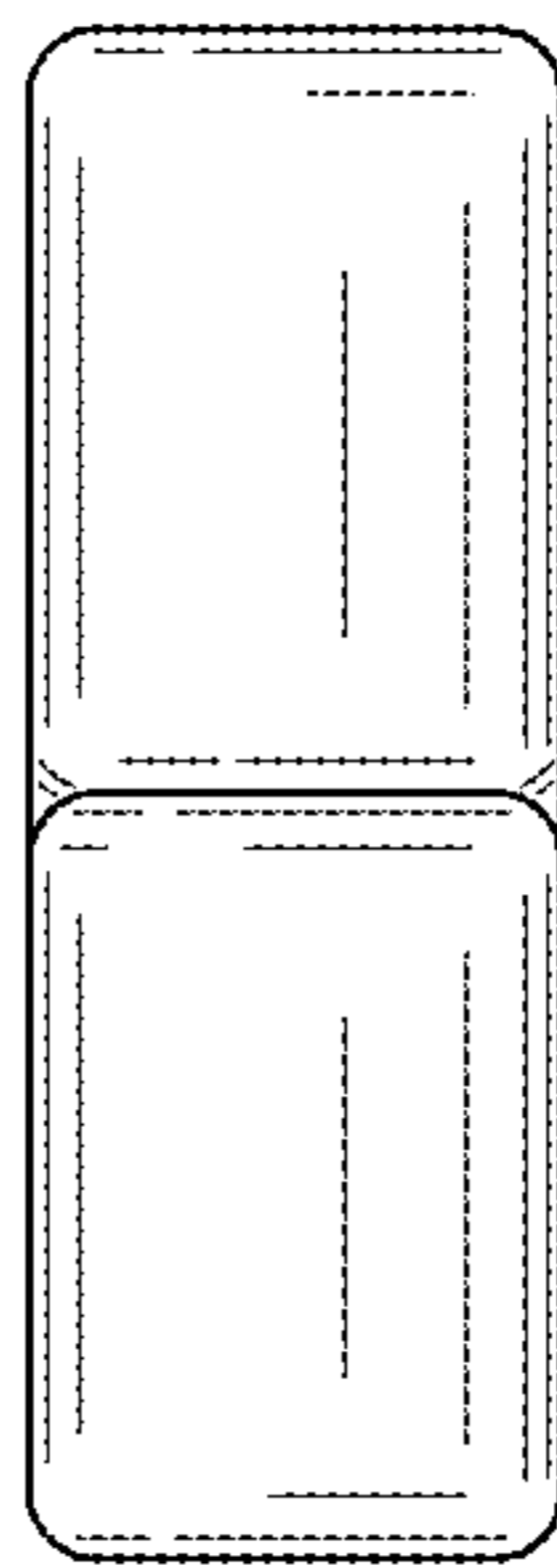


FIG. 7

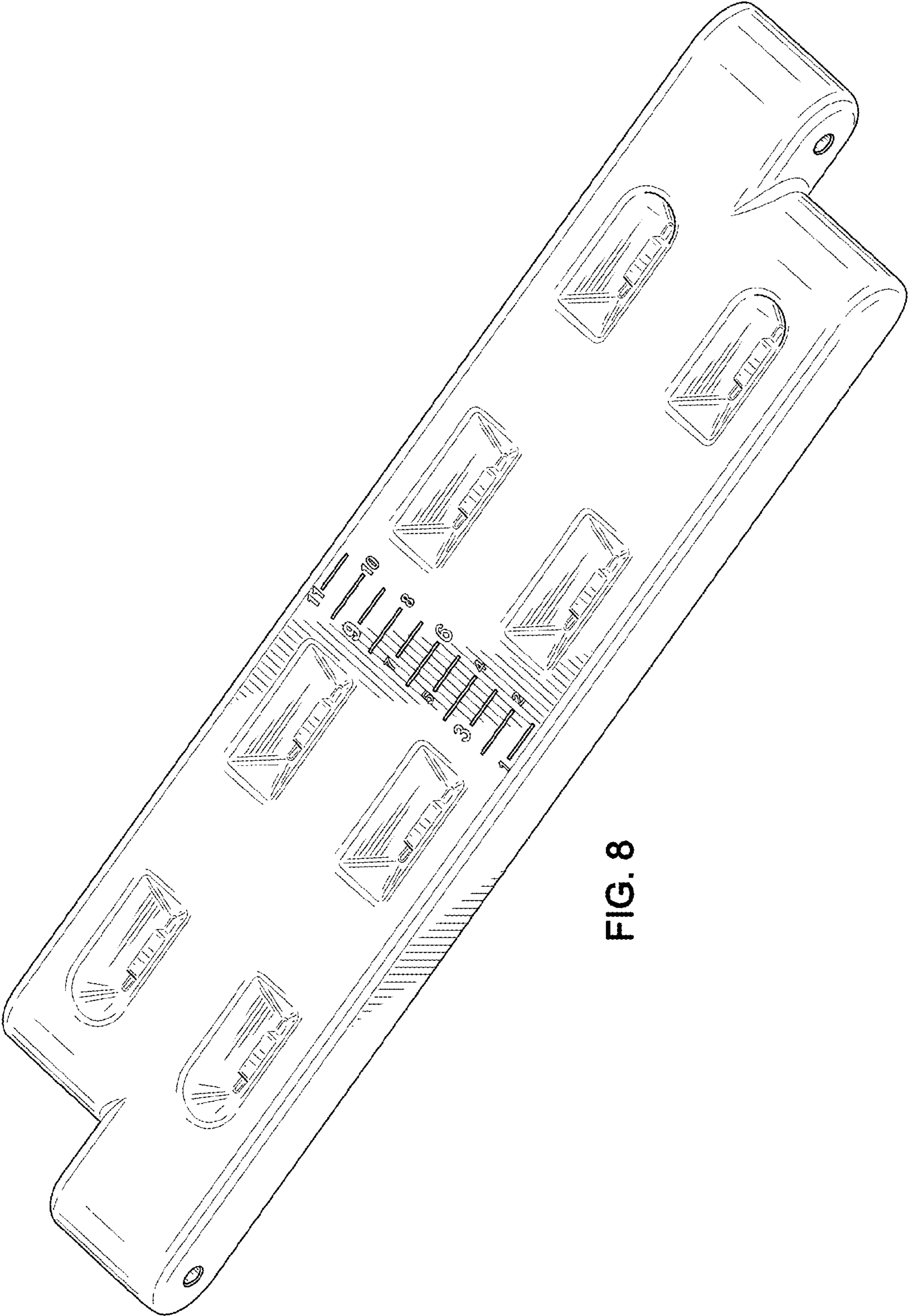


FIG. 8