



US00D716110S

(12) **United States Design Patent**  
**Waltman**

(10) **Patent No.:** **US D716,110 S**  
(45) **Date of Patent:** **\*\* Oct. 28, 2014**

(54) **HOT DOG FORK UTENSIL**

(71) Applicant: **George E Waltman**, New Columbia, PA  
(US)

(72) Inventor: **George E Waltman**, New Columbia, PA  
(US)

(\*\*) Term: **14 Years**

(21) Appl. No.: **29/463,411**

(22) Filed: **Nov. 14, 2013**

(51) **LOC (10) Cl.** ..... **07-02**

(52) **U.S. Cl.**  
USPC ..... **D7/683**

(58) **Field of Classification Search**  
CPC ..... A47J 43/283  
USPC ..... D7/680-696, 395, 393, 368, 669, 409,  
D7/323, 672; 99/415-419, 426, 449, 441,  
99/421 R, 425, 421 V, 421 A; 30/323;  
7/110, 113, 109

See application file for complete search history.

(56) **References Cited**

U.S. PATENT DOCUMENTS

2,649,042 A *	8/1953	Wickman	99/441
D171,539 S *	2/1954	Goodsell	D7/683
3,931,758 A *	1/1976	Blake	99/419
5,238,445 A *	8/1993	Green	452/198
D395,988 S *	7/1998	Badour	D7/683
D482,937 S *	12/2003	Renault	D7/683
D496,835 S *	10/2004	Scott	D7/683

\* cited by examiner

*Primary Examiner* — Terry Wallace

(74) *Attorney, Agent, or Firm* — Sonya C. Harris; Invention Services

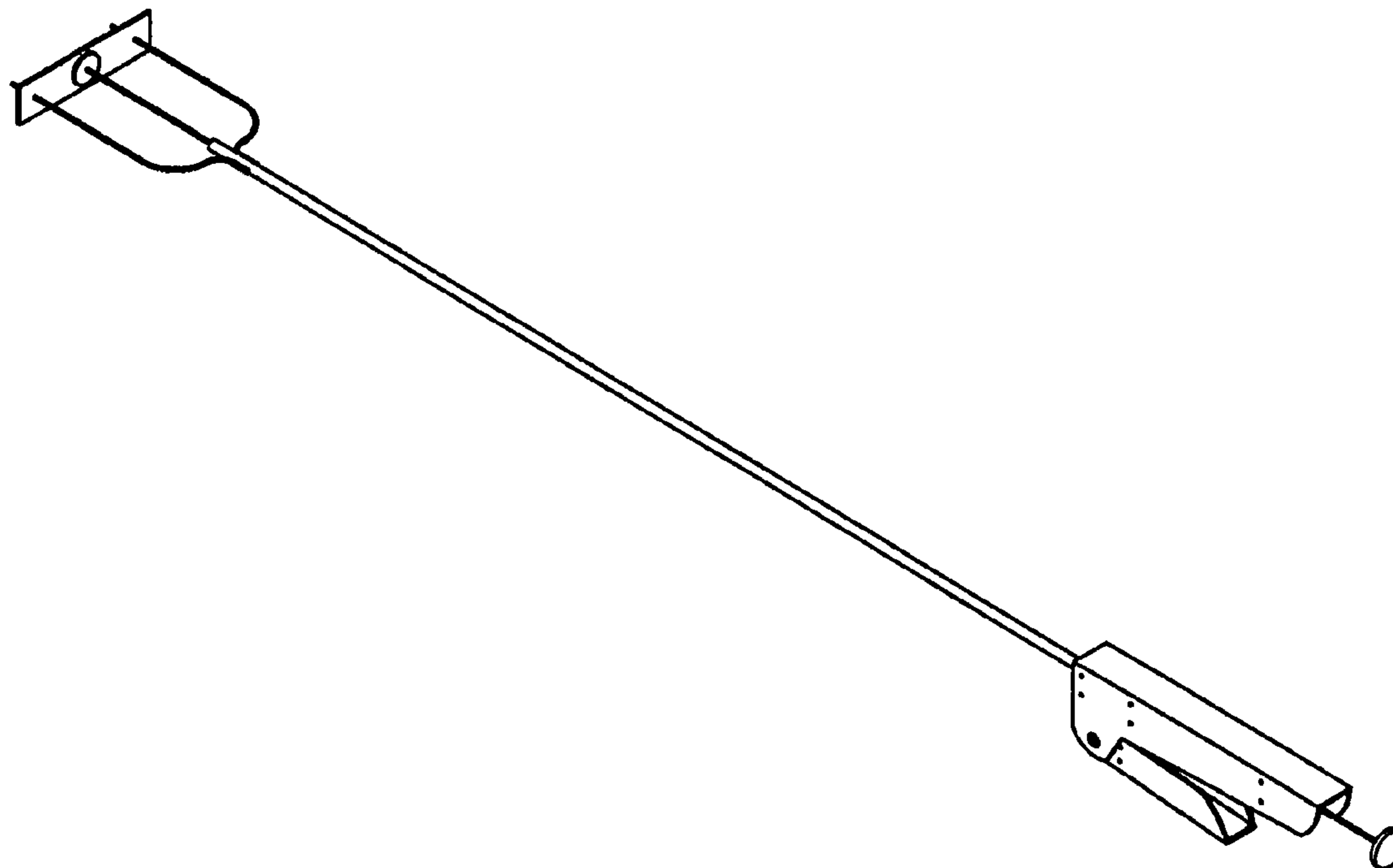
(57) **CLAIM**

The ornamental design for the hot dog fork utensil, as shown and described.

**DESCRIPTION**

FIG. 1 is a top left rear perspective view of my design;  
FIG. 2 is a bottom elevational view of my design;  
FIG. 3 is a right side elevational view of my design;  
FIG. 4 is top right front perspective view of my design;  
FIG. 5 is a right side perspective view of my design; and,  
FIG. 6 is a top right rear perspective view of my design.

**1 Claim, 5 Drawing Sheets**



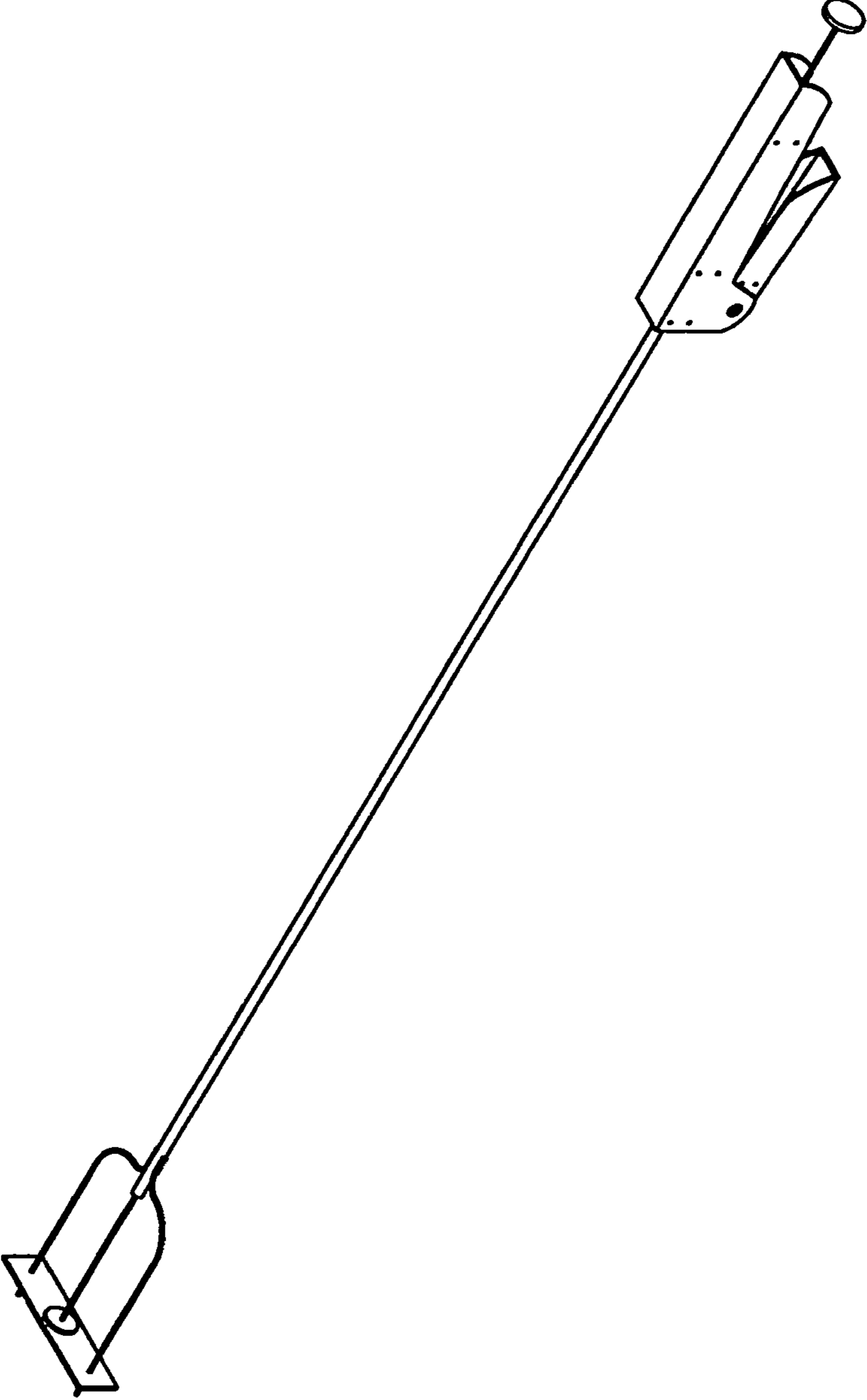


FIGURE 1

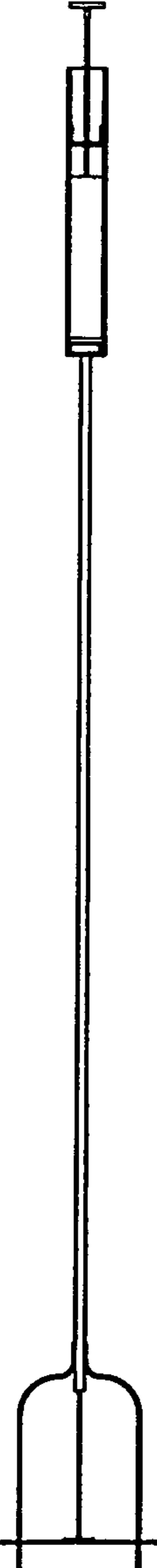


FIGURE 2

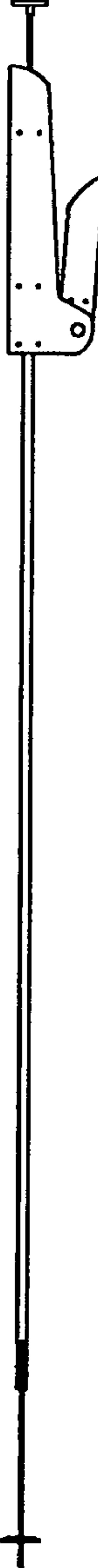


FIGURE 3

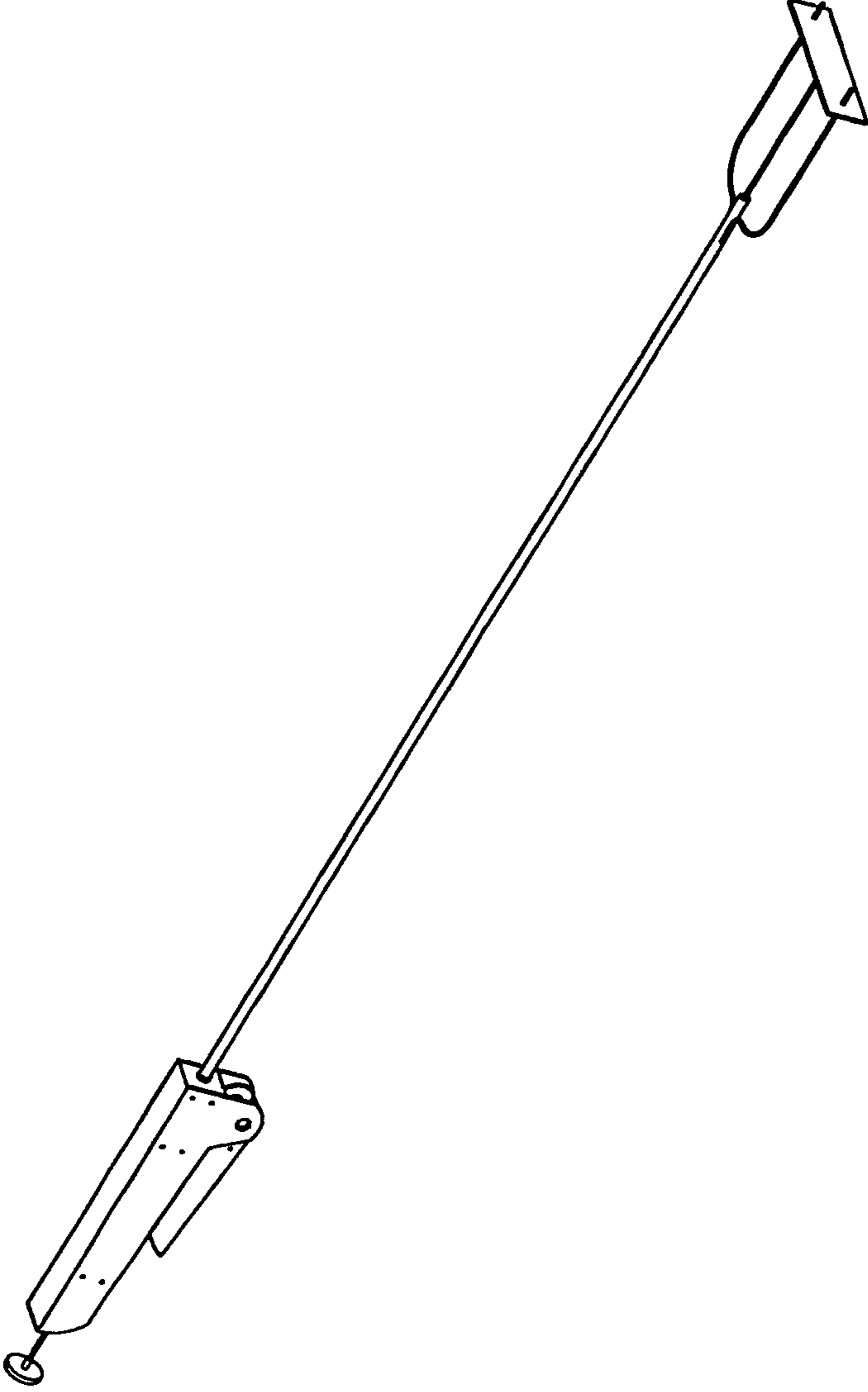


FIGURE 4

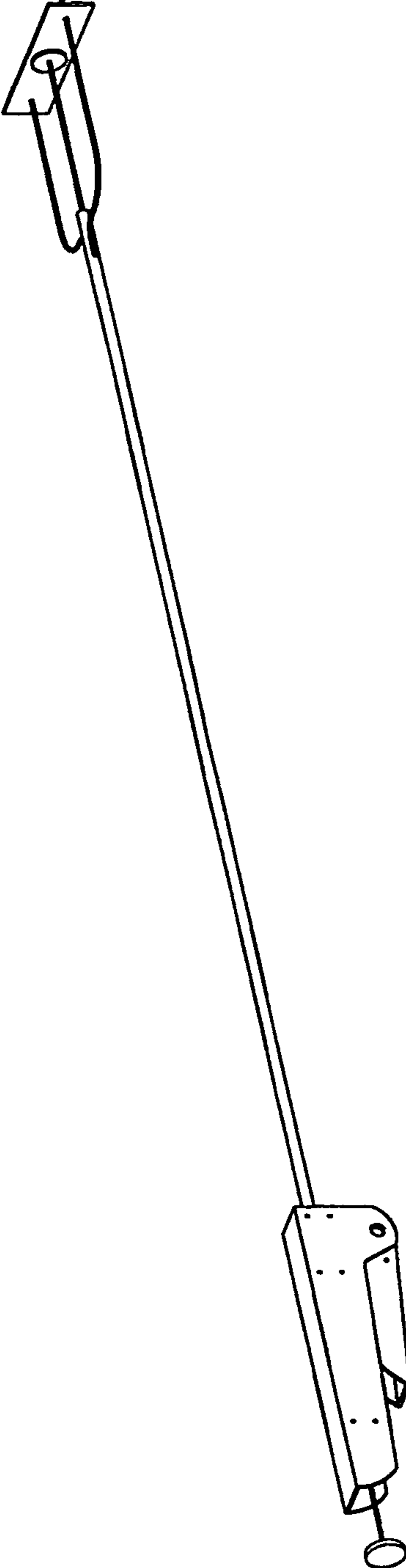


FIGURE 5

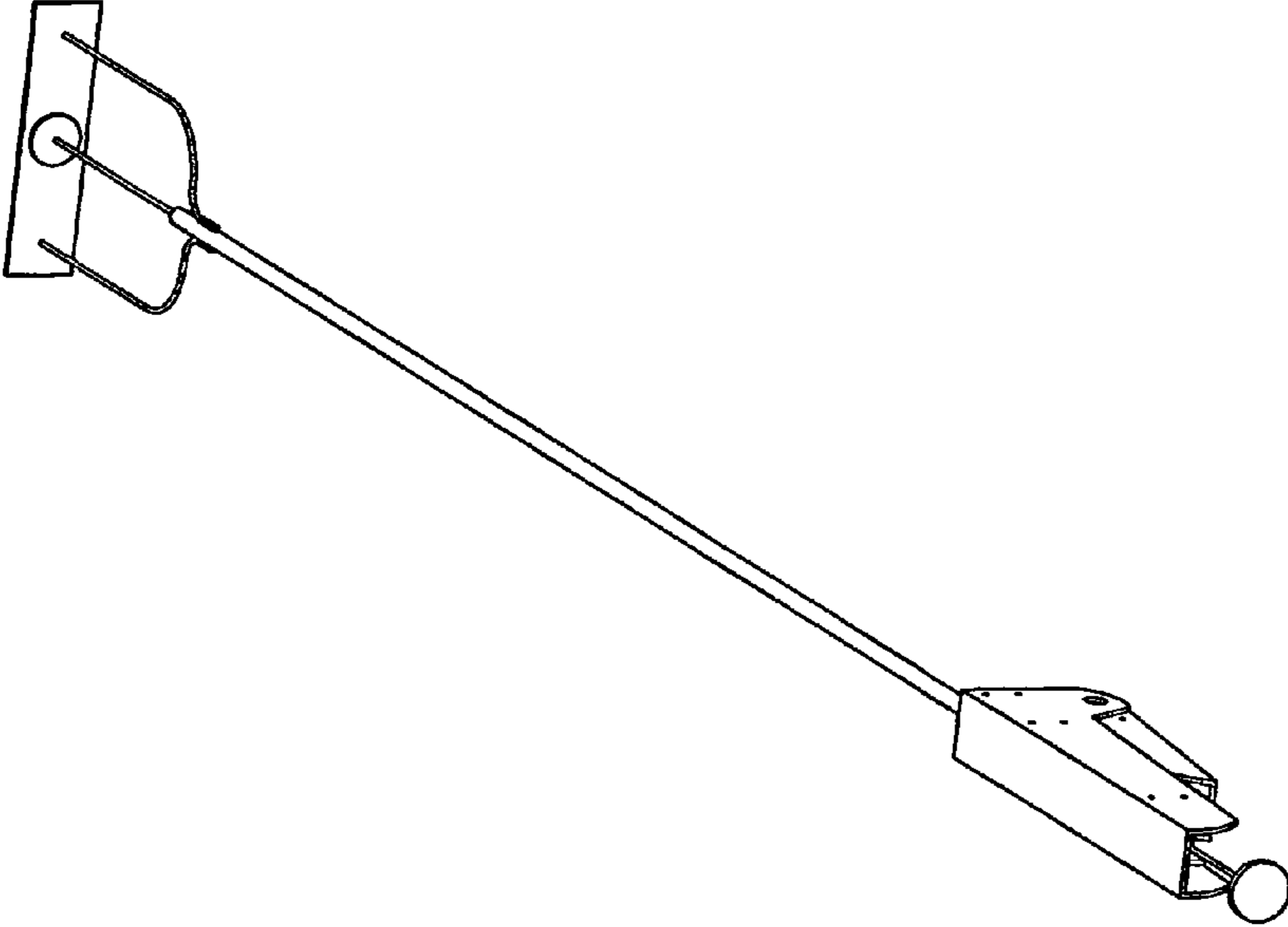


FIGURE 6