



US00D716108S

(12) **United States Design Patent**  
**Hoyord et al.**

(10) **Patent No.:** **US D716,108 S**  
(45) **Date of Patent:** **\*\* Oct. 28, 2014**

(54) **TOOL SET**

(71) Applicant: **Target Brands, Inc.**, Minneapolis, MN (US)

(72) Inventors: **Daniel J. Hoyord**, St. Paul, MN (US);  
**Emily T. Brown**, Minneapolis, MN (US); **Patrick R. O'Connell**, St. Louis Park, MN (US)

(73) Assignee: **Target Brands, Inc.**, Minneapolis, MN (US)

(\*\*) Term: **14 Years**

(21) Appl. No.: **29/458,560**

(22) Filed: **Jun. 20, 2013**

(51) **LOC (10) Cl.** ..... **07-02**

(52) **U.S. Cl.**

USPC ..... **D7/669**; D7/688; D7/691

(58) **Field of Classification Search**

USPC ..... D7/669, 680-696, 393, 395, 645;  
294/7, 8; 7/110, 113; 30/147, 142,  
30/322-328

See application file for complete search history.

(56) **References Cited**

**U.S. PATENT DOCUMENTS**

24,716	A *	7/1859	Bristol	7/112
32,916	A	7/1861	Richards	
1,053,387	A	2/1913	Hawley	
2,457,037	A *	12/1948	Fadeley, Jr.	7/110
2,470,492	A	5/1949	Jenkins	
3,596,965	A *	8/1971	Woofter	294/8
D284,442	S	7/1986	Chan	
4,789,064	A	12/1988	Segal	
4,823,419	A *	4/1989	Stimpson	7/113
D318,600	S	7/1991	Lillelund et al.	

(Continued)

**OTHER PUBLICATIONS**

Office Action from Canadian Patent Application No. 153,350, mailed May 8, 2014 (3 pages).

*Primary Examiner* — Terry Wallace

(74) *Attorney, Agent, or Firm* — Leanne Taveggia Farrell; Westman, Champlin & Koehler, P.A.

(57) **CLAIM**

The ornamental design for a tool set, as shown and described.

**DESCRIPTION**

FIG. 1 is a perspective view of a tool set showing our new design;

FIG. 2 is a top view thereof;

FIG. 3 is a bottom view thereof;

FIG. 4 is a side view thereof, the opposing side being a mirror image;

FIG. 5 is a front view thereof;

FIG. 6 is a rear view thereof;

FIG. 7 is a cross-section view thereof taken along line 7-7 of FIG. 2.

FIG. 8 is an exploded top perspective view thereof;

FIG. 9 is an exploded bottom perspective view thereof;

FIG. 10 is a perspective view of a second embodiment thereof;

FIG. 11 is a top view of FIG. 10;

FIG. 12 is a back view of FIG. 10;

FIG. 13 is a side view of FIG. 10, the opposing side being a mirror image;

FIG. 14 is a front view of FIG. 10;

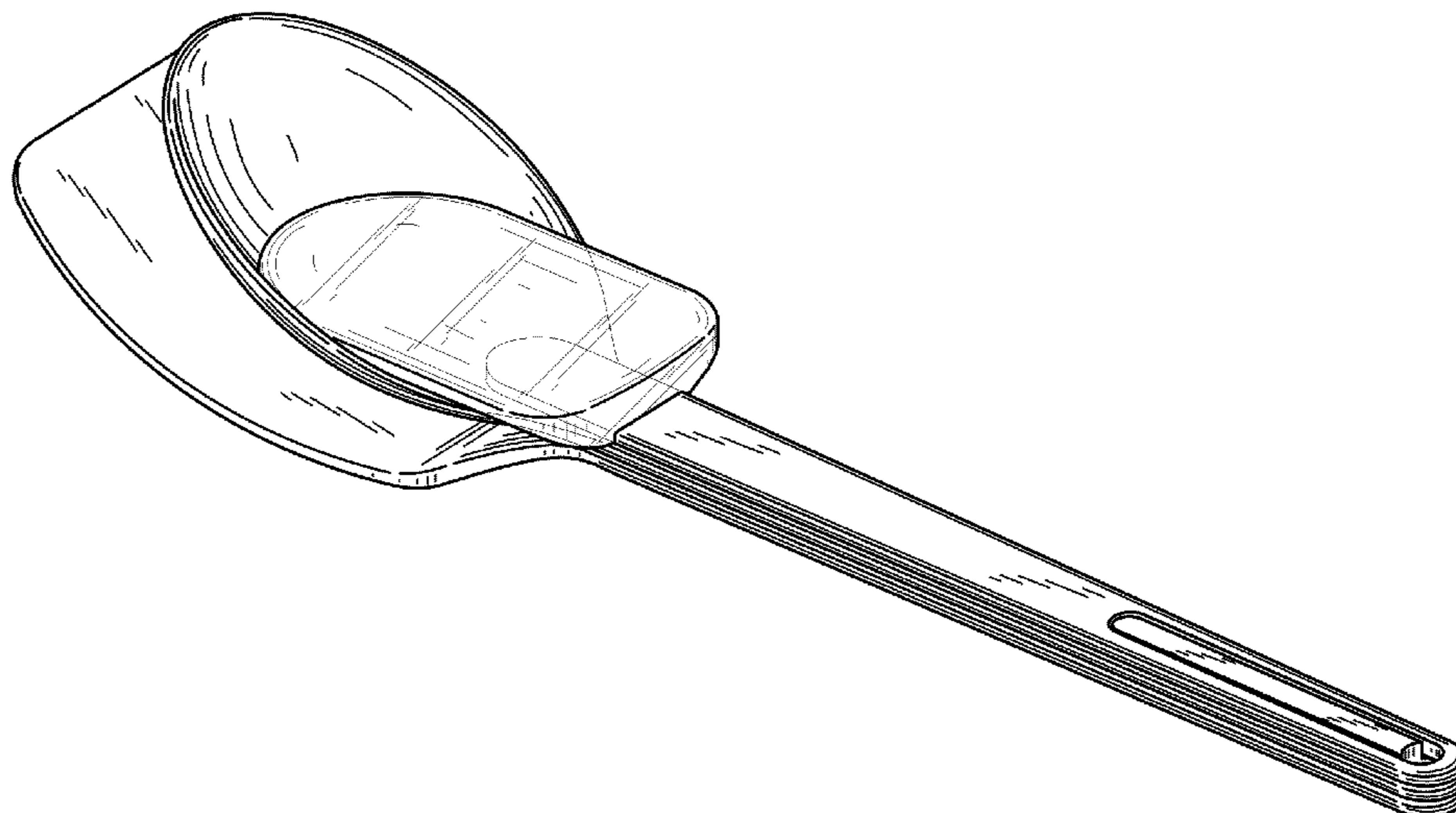
FIG. 15 is a rear view of FIG. 10;

FIG. 16 is a cross-section view of FIG. 10 taken along line 16-16 of FIG. 11.

FIG. 17 is an exploded top perspective view of FIG. 10; and, FIG. 18 is an exploded bottom perspective view of FIG. 10.

The broken lines shown in the drawings represent the bounds of the claimed design and form no part of the claimed design.

**1 Claim, 16 Drawing Sheets**



(56)

References Cited

U.S. PATENT DOCUMENTS

5,327,650	A	7/1994	Rojas			
D362,160	S	9/1995	Brabeck et al.			
5,491,869	A *	2/1996	Sullivan et al. ....	15/245		
5,572,792	A *	11/1996	Garabedian .....	30/142		
5,845,403	A	12/1998	Nivin			
D473,762	S *	4/2003	Kerr .....	D7/688		
D481,269	S *	10/2003	Siegel et al. ....	D7/688		
D509,708	S	9/2005	Schmidt			
7,013,568	B2	3/2006	Schmidt			
D536,222	S	2/2007	Heiberg et al.			
D551,032	S *	9/2007	Lion et al. ....	D7/653		
D552,939	S *	10/2007	McRorie, III .....	D7/691		
D587,537	S *	3/2009	Vendl et al. ....	D7/688		
D618,070	S *	6/2010	Jalet et al. ....	D7/691		
D625,153	S	10/2010	Gallop et al.			
7,816,634	B1 *	10/2010	Guide et al. ....	219/726		
7,856,722	B2	12/2010	Lago-Arenas			
2012/0049549	A1 *	3/2012	Hemmings .....	294/7		

\* cited by examiner

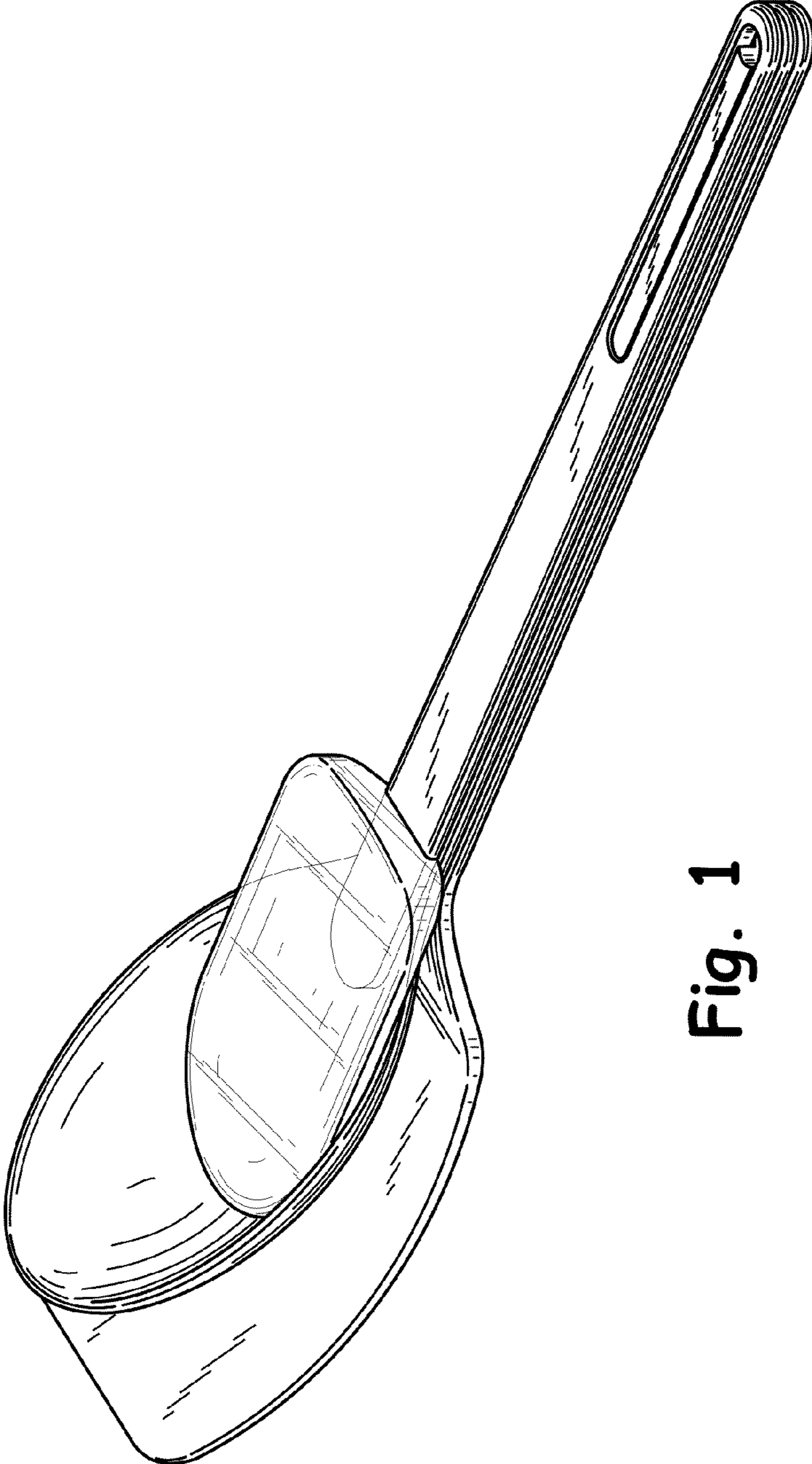


Fig. 1

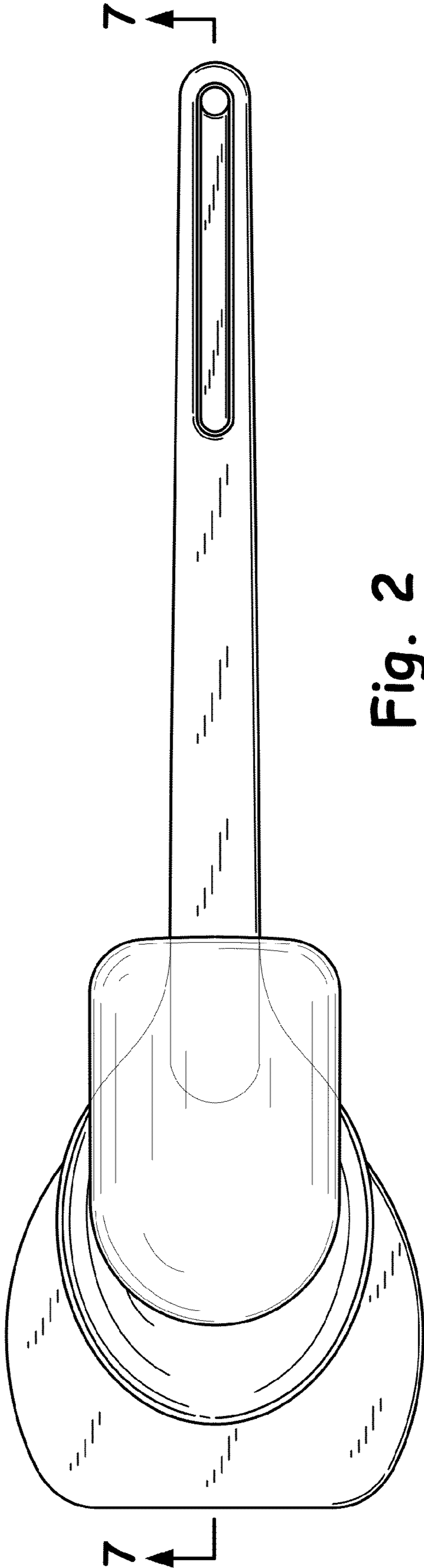


Fig. 2

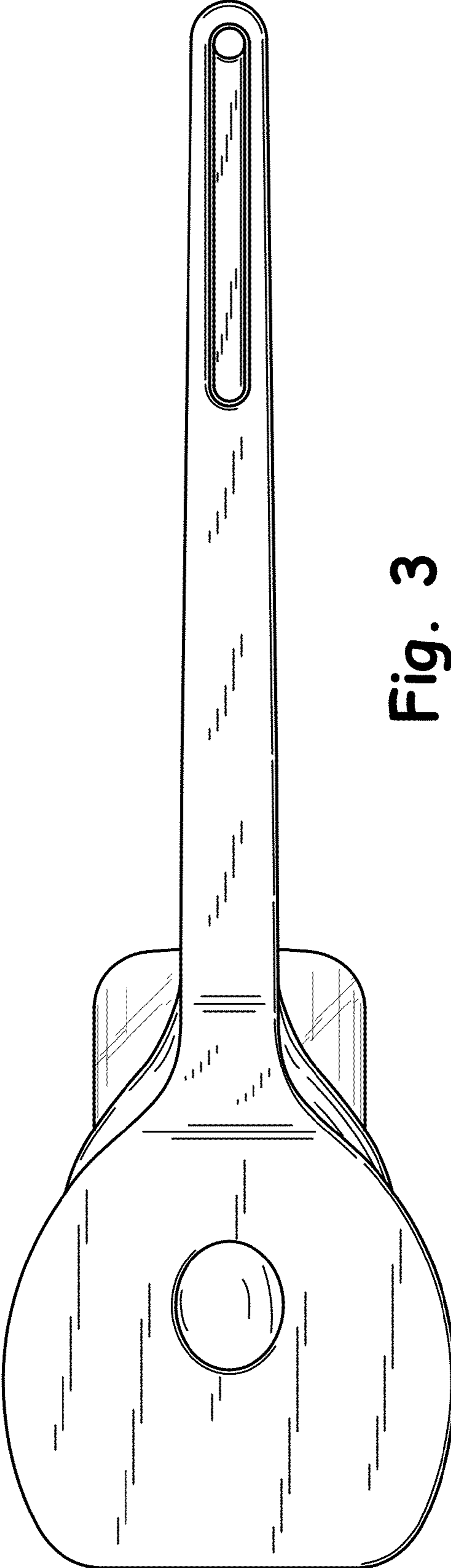


Fig. 3

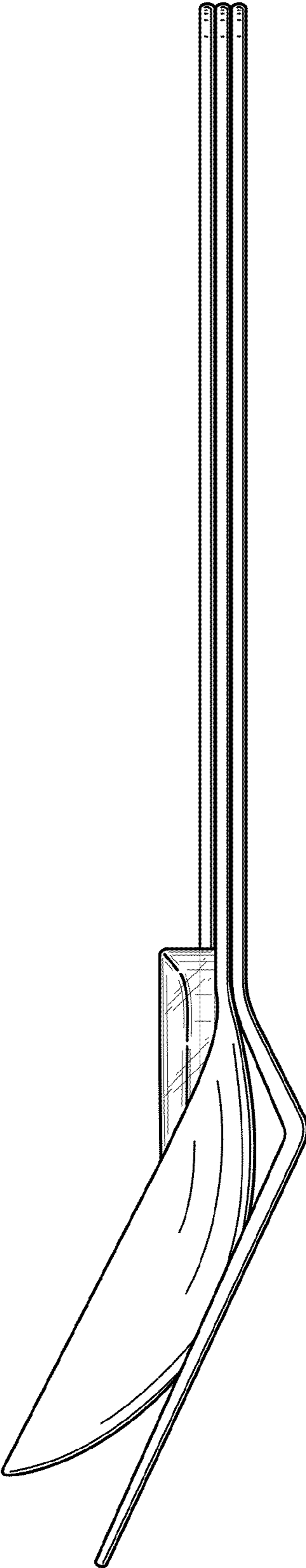


Fig. 4

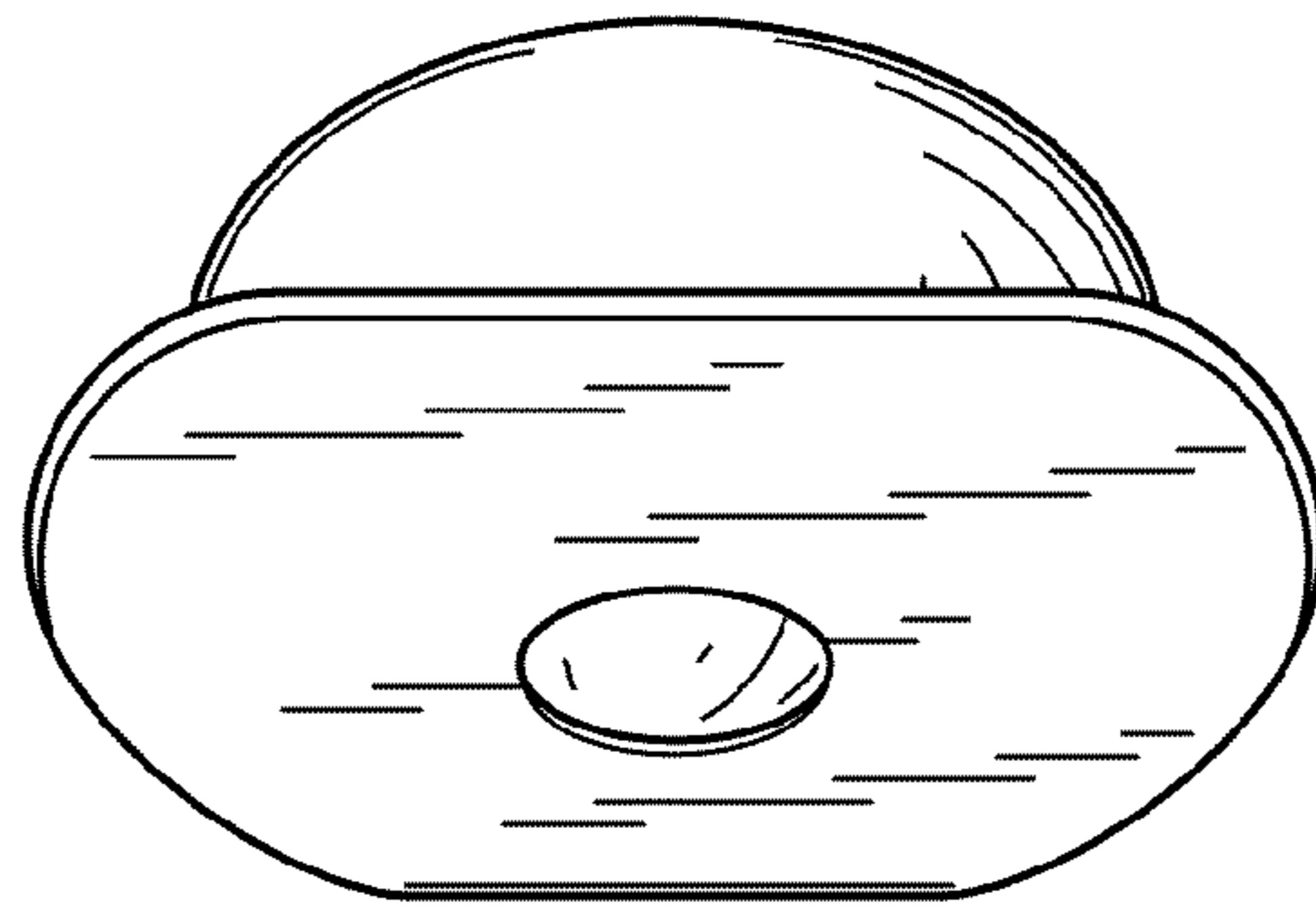


Fig. 5

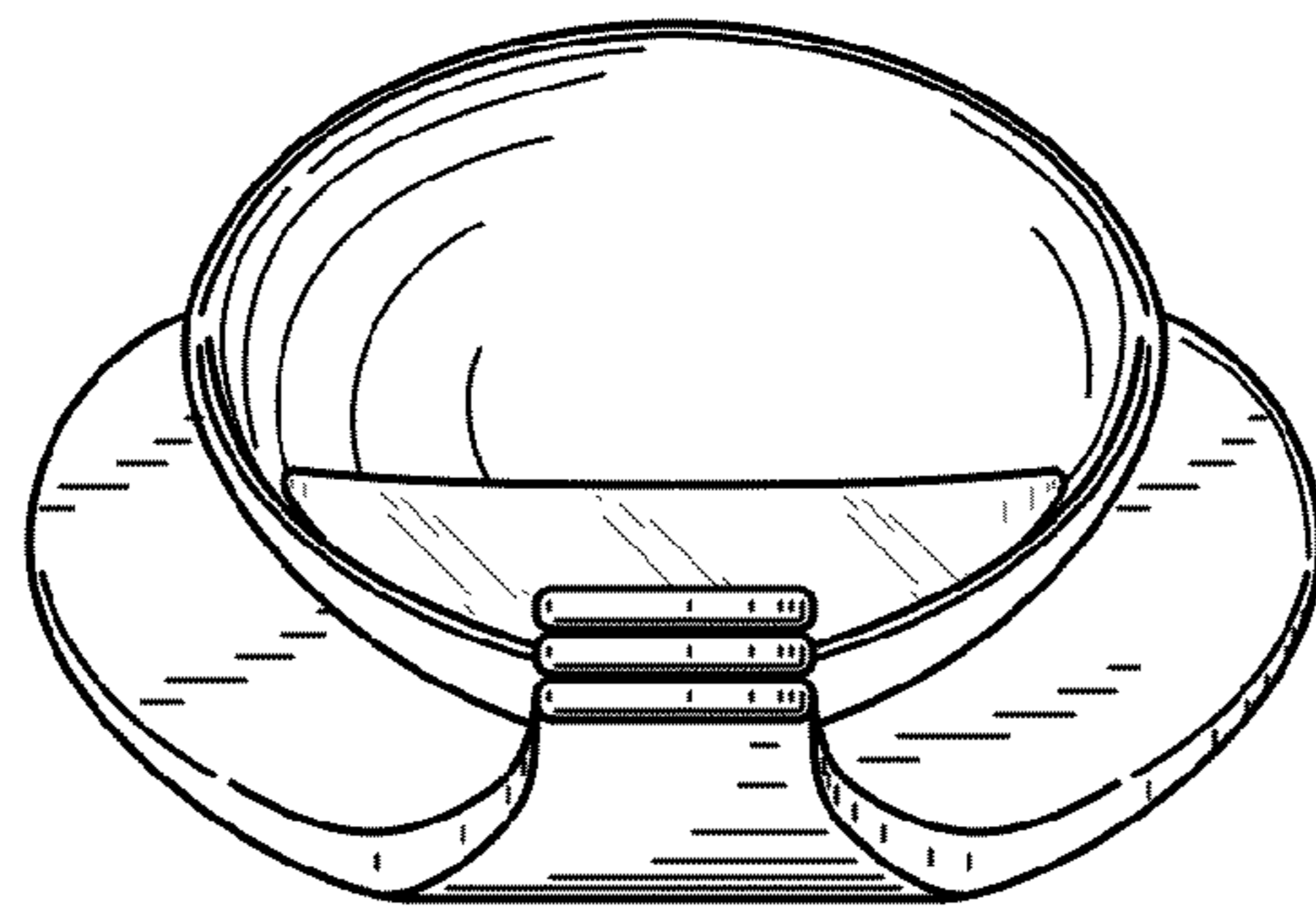


Fig. 6

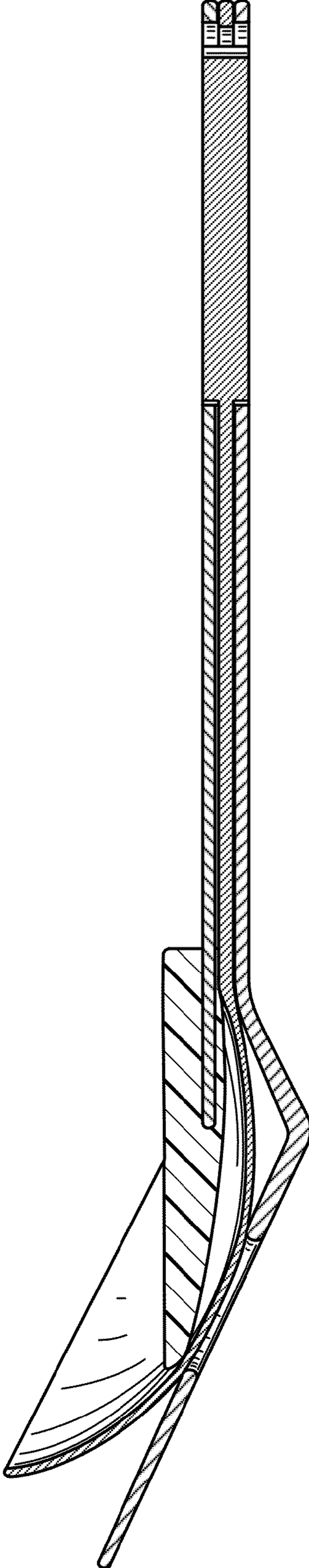


Fig. 7



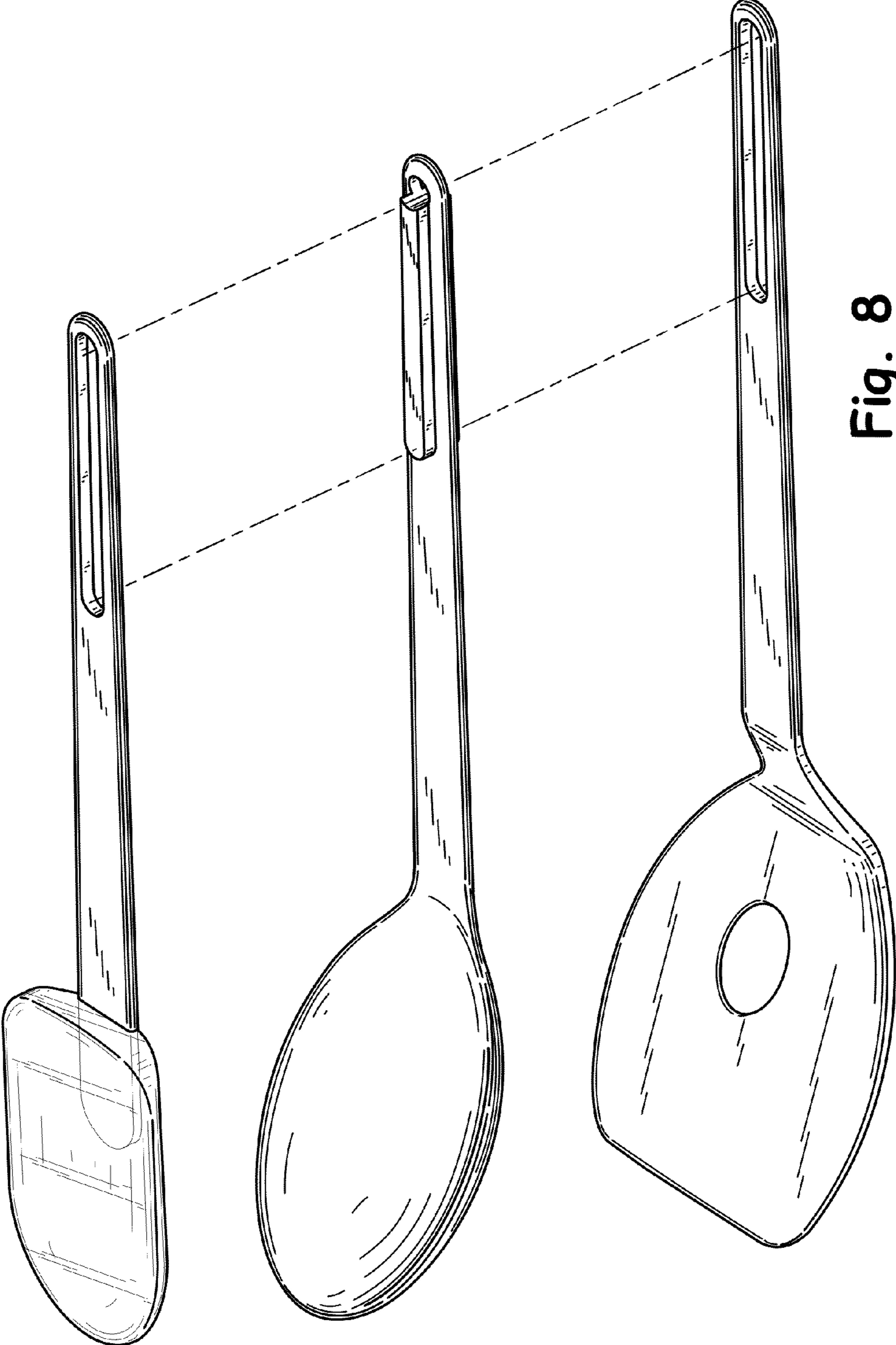


Fig. 8

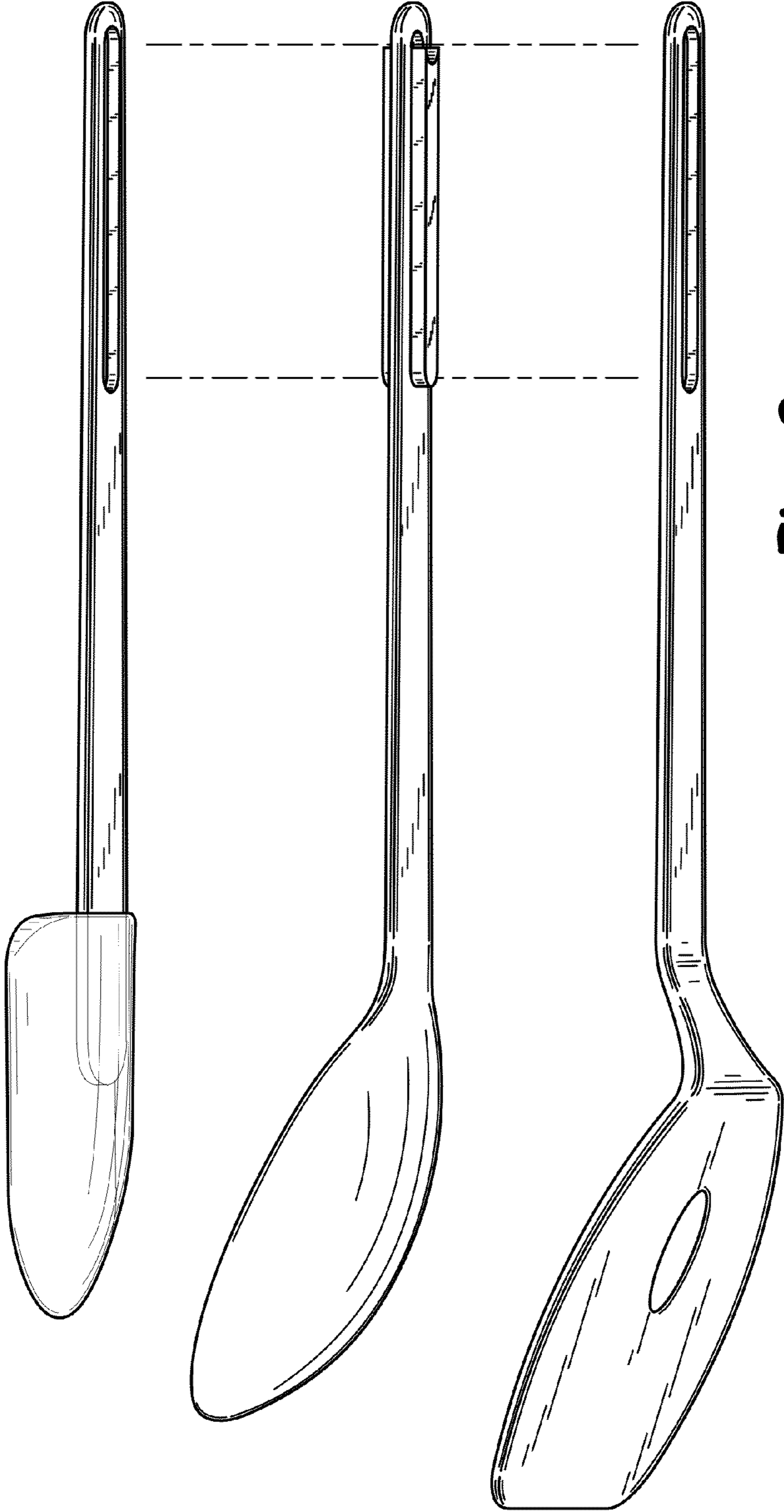


Fig. 9

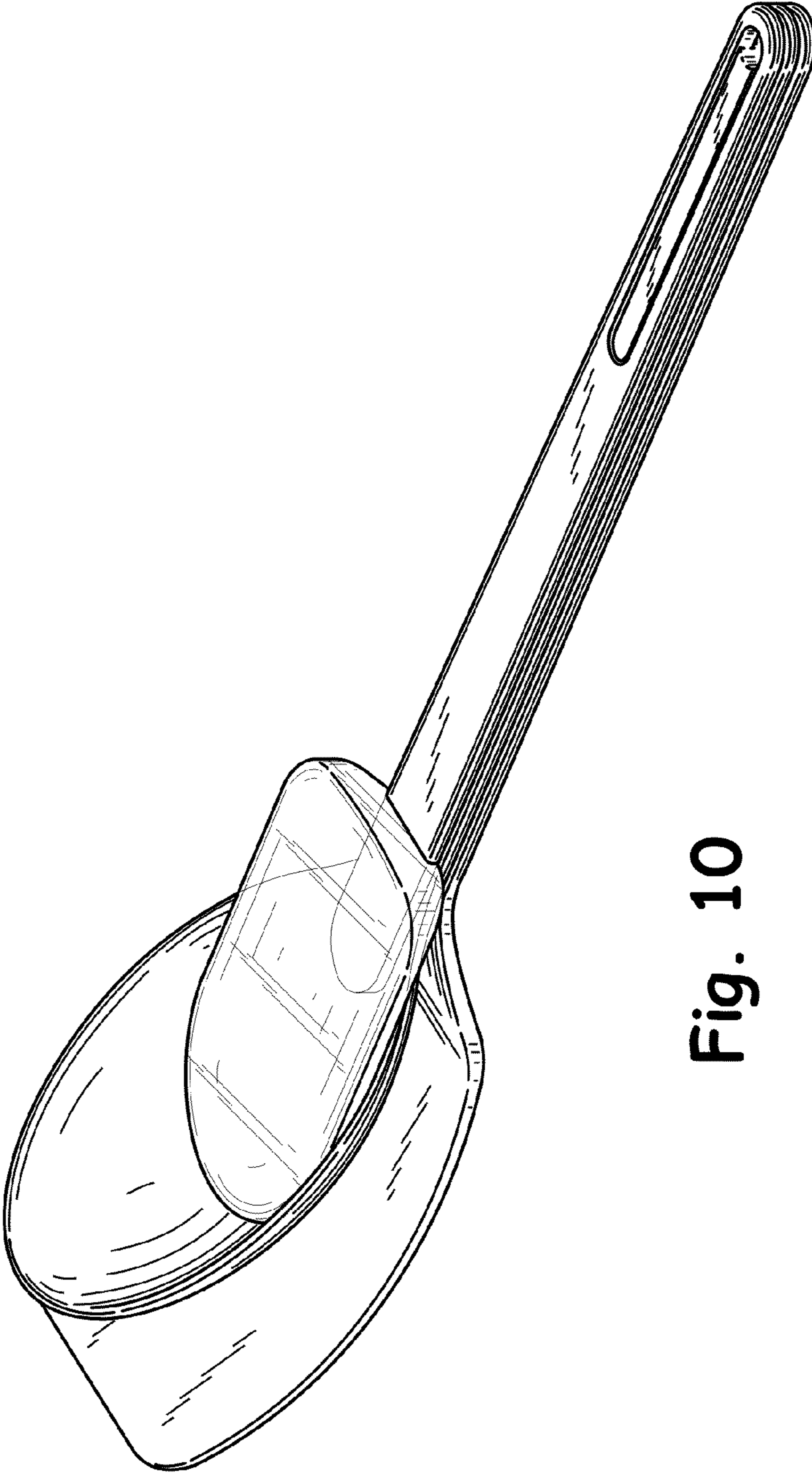


Fig. 10

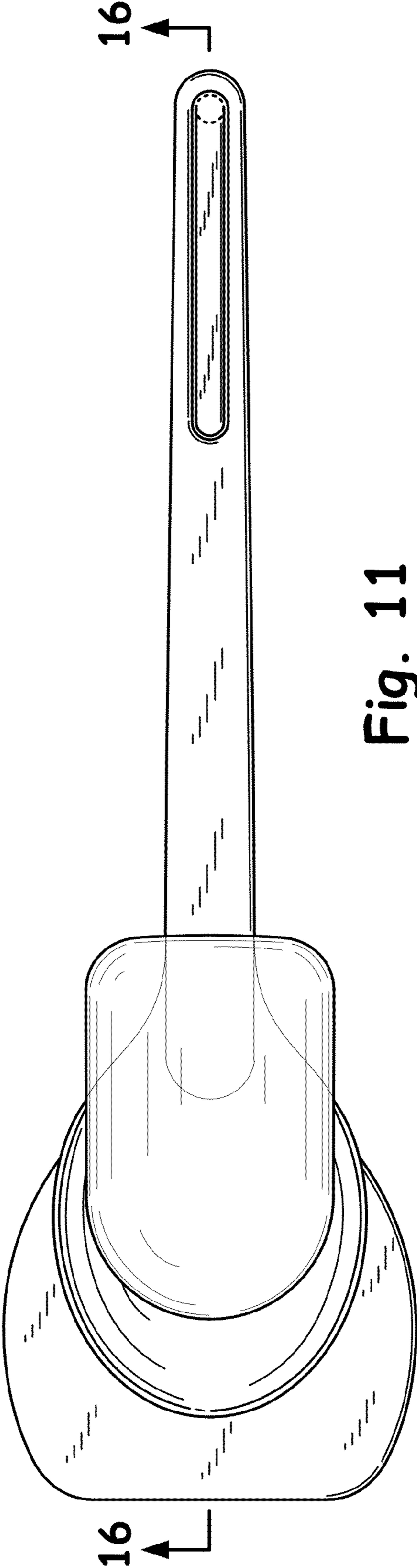


Fig. 11

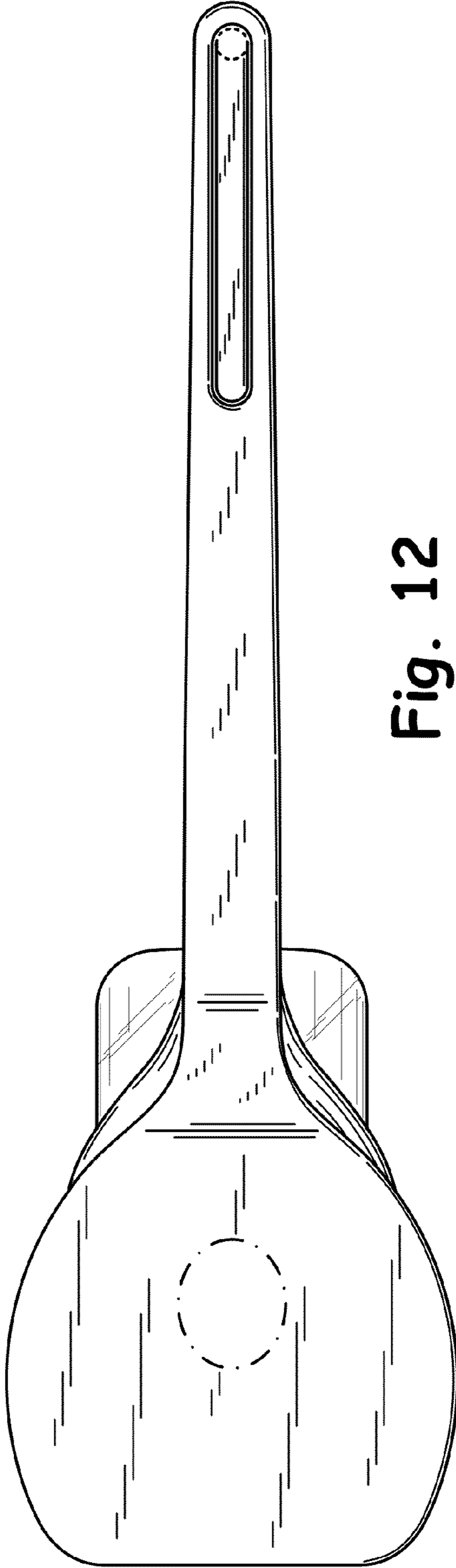


Fig. 12

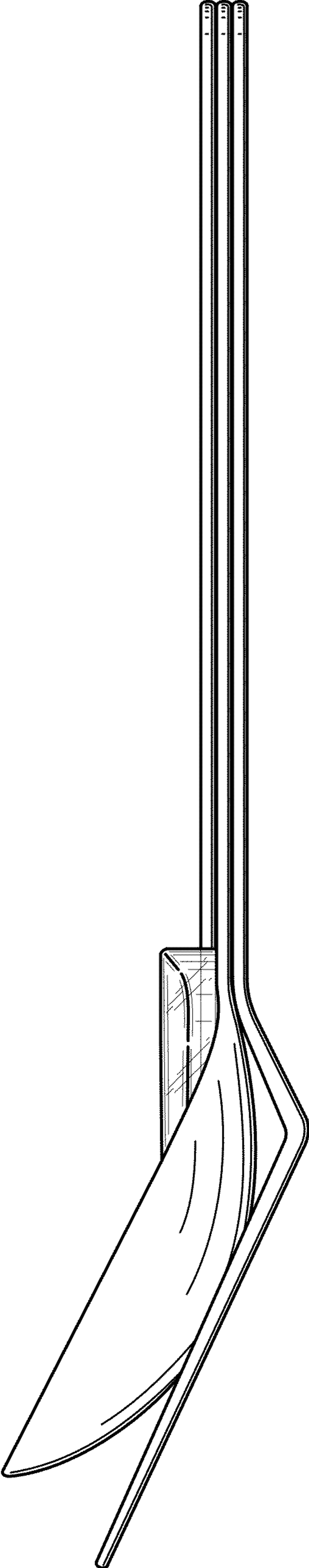
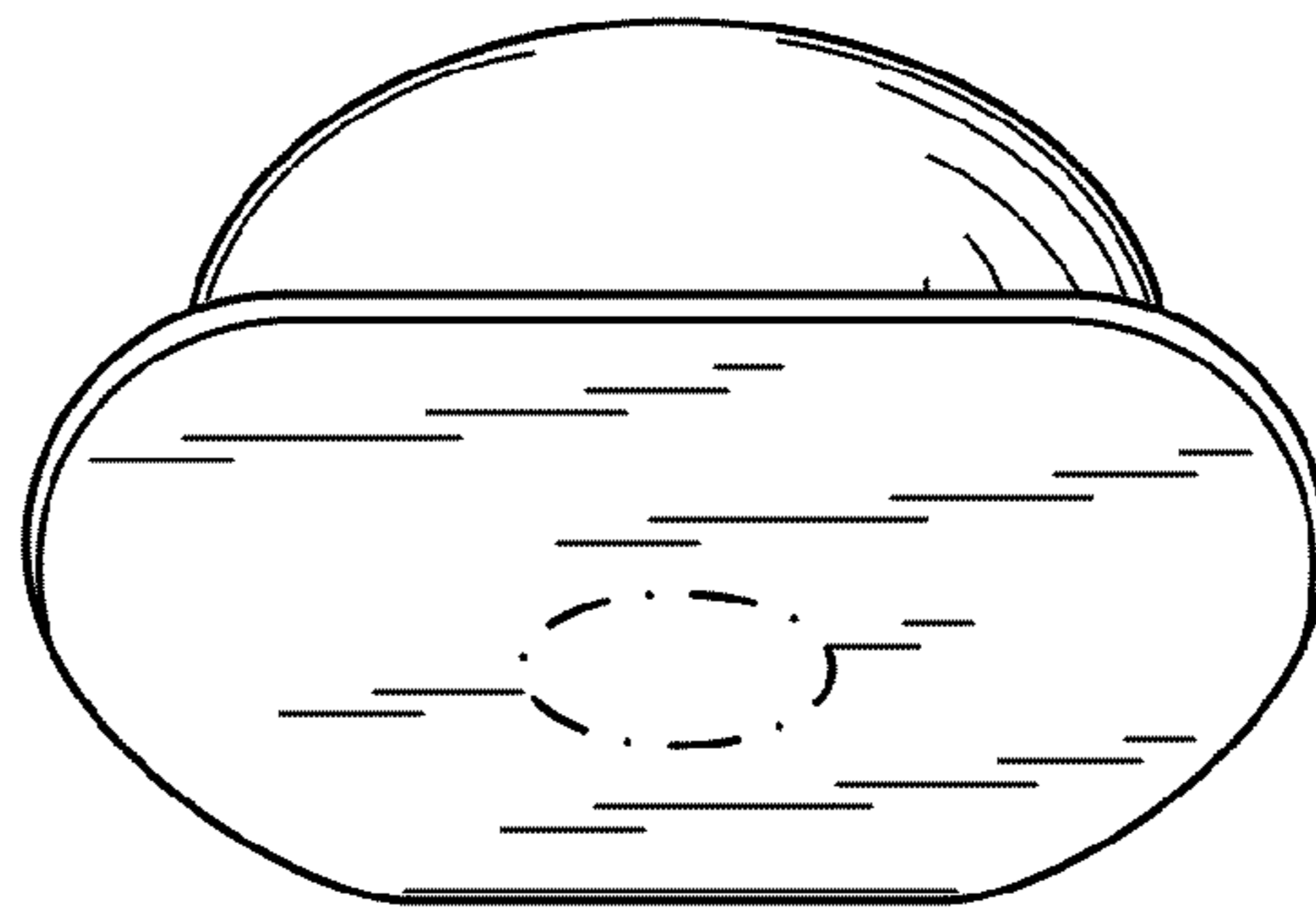
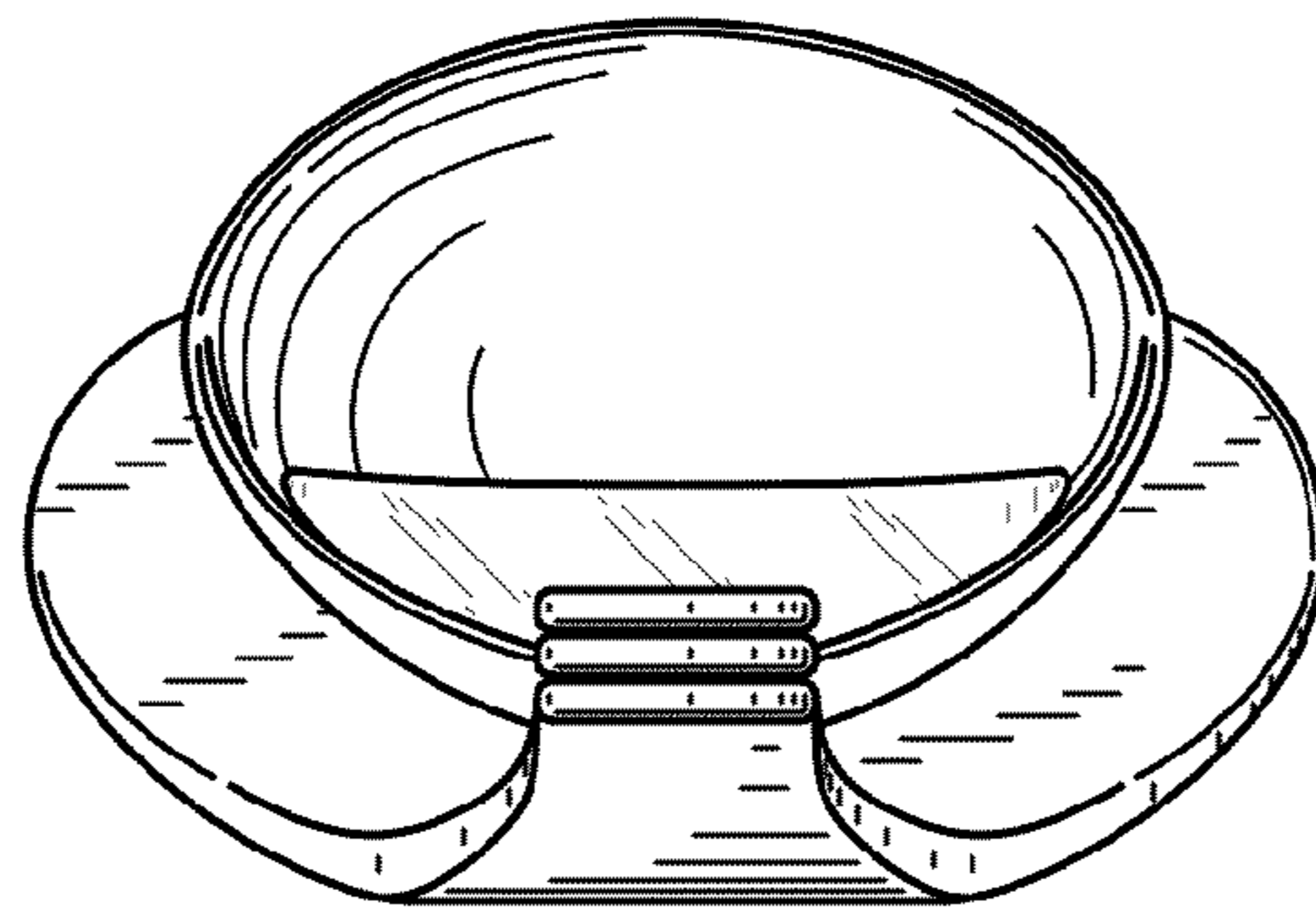


Fig. 13



**Fig. 14**



**Fig. 15**

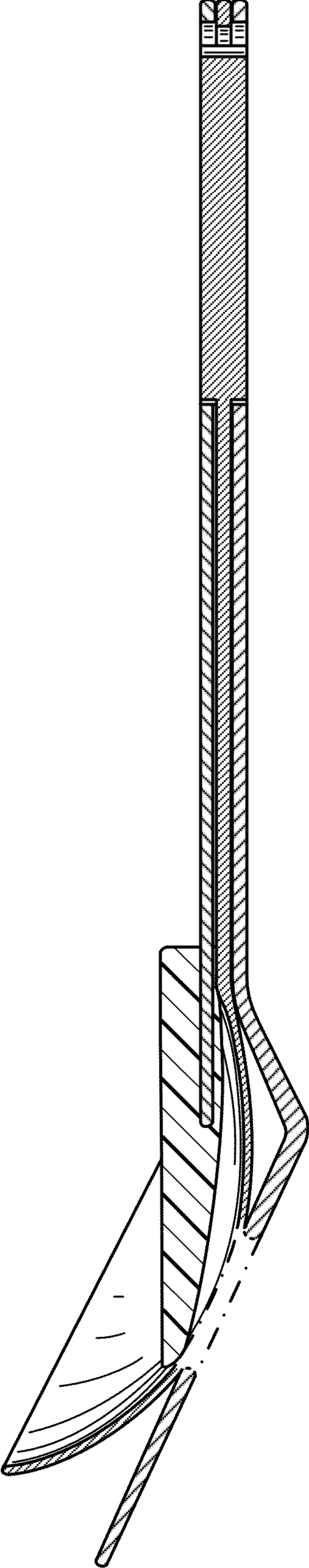


Fig. 16



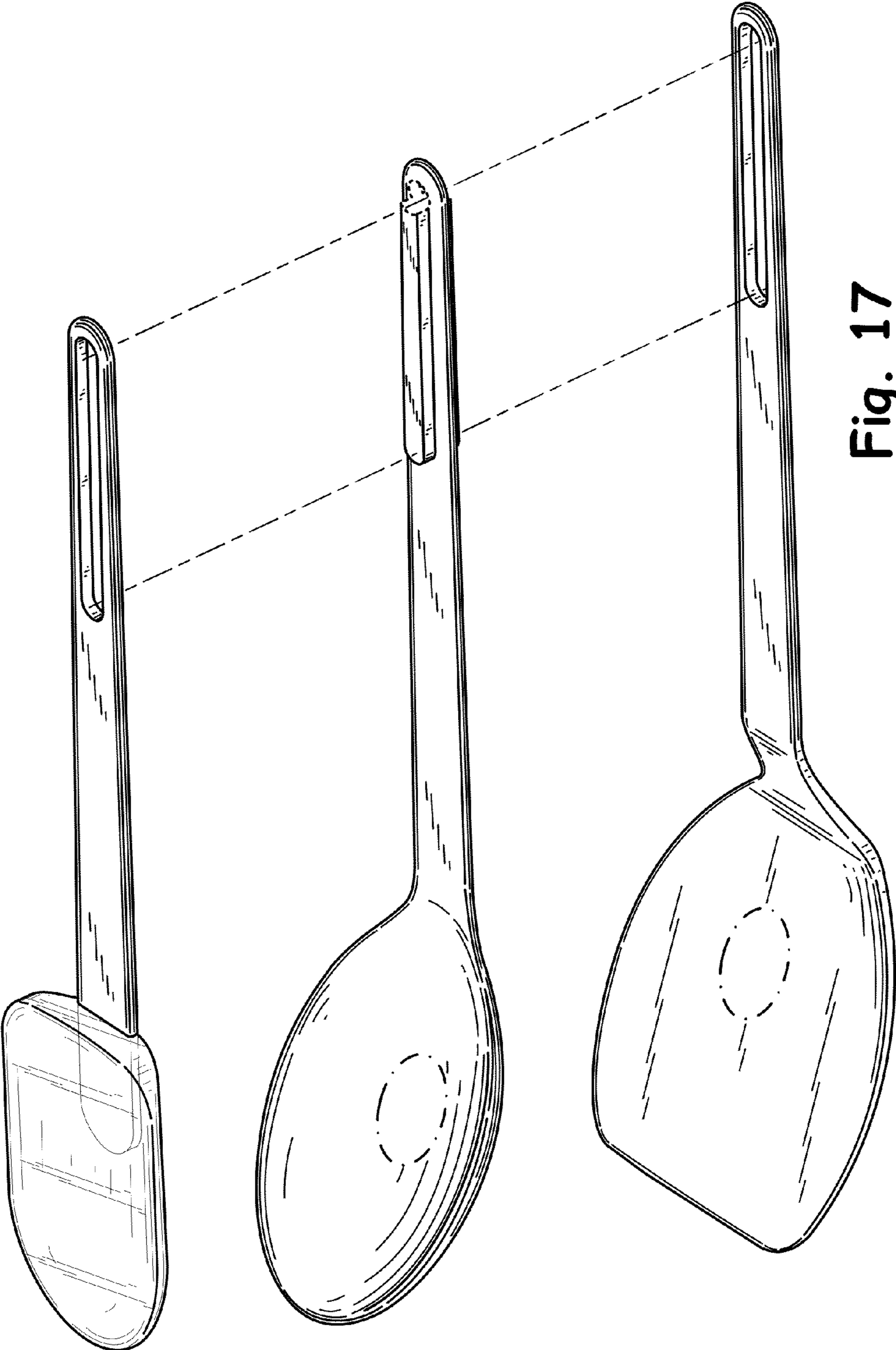


Fig. 17

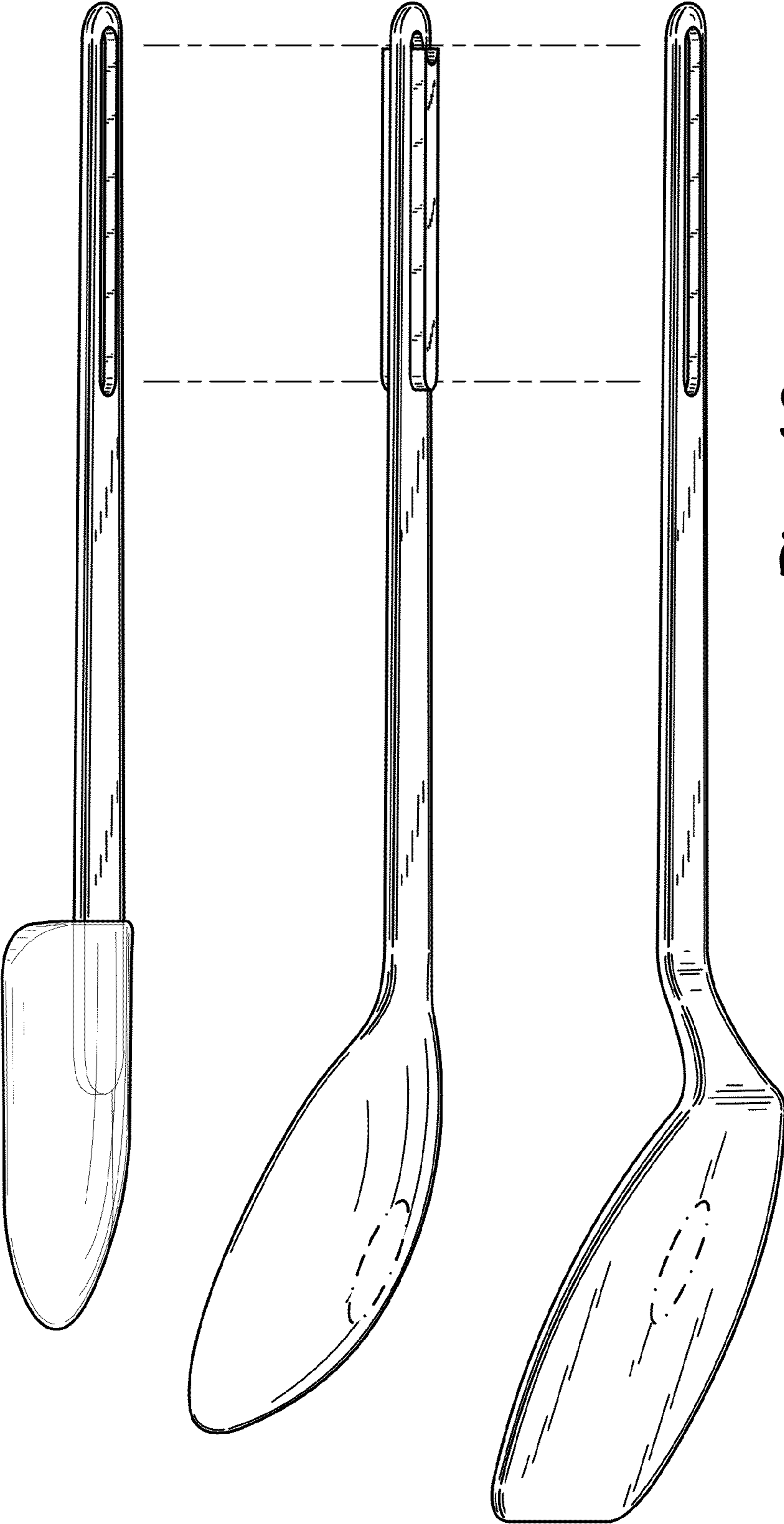


Fig. 18