



US00D716107S

(12) **United States Design Patent**
Skolnik

(10) **Patent No.:** **US D716,107 S**

(45) **Date of Patent:** **** Oct. 28, 2014**

(54) **TRUCK SPOON**

(71) Applicant: **Samantha J. Skolnik**, Port Orange, FL
(US)

(72) Inventor: **Samantha J. Skolnik**, Port Orange, FL
(US)

(**) Term: **14 Years**

(21) Appl. No.: **29/469,770**

(22) Filed: **Oct. 15, 2013**

(51) **LOC (10) Cl.** **07-03**

(52) **U.S. Cl.**

USPC **D7/655**; D7/401.2; D7/642; D7/653

(58) **Field of Classification Search**

CPC A01D 9/02; A01D 9/04; A01D 9/06;
A47G 21/00; A47G 21/004; A47G 21/005;
A47G 21/02; A47G 21/023; A47G 21/04;
A47G 21/06; A47G 21/08; A47J 43/28;
A47J 43/281; A47J 43/282; A61F 13/10;
A61J 7/0023; A63H 33/00; B25G 1/00;
B25G 1/01; B25G 1/02; B25G 3/00; B65D
75/56; B65D 75/563; B65D 75/566; B67B
7/00; B67B 7/724; B67B 7/73

USPC D7/368, 401.2, 506, 642-645, 653-664,
D7/669, 675-677, 683, 688-689, 691;
D8/107, 300-301; D22/117-118;
16/110.1, 407, 430; 30/1, 137,
30/142-150, 322-329, 340, 342-345;
294/25-26, 49, 55.5, 57

See application file for complete search history.

(56) **References Cited**

U.S. PATENT DOCUMENTS

D166,914 S * 6/1952 Hepner D7/655
D172,480 S * 6/1954 Silletti D7/655
D193,018 S * 6/1962 Larsen D7/655
D197,346 S * 1/1964 Kramer D7/654

D231,721 S * 6/1974 Pearson D7/655
D234,287 S * 2/1975 Peterson D7/655
3,968,591 A * 7/1976 Pearson, Jr. 30/324
D257,757 S * 1/1981 Acker D7/655
D302,090 S * 7/1989 Bergman D7/655
D302,091 S * 7/1989 Bergman D7/655
D302,510 S * 8/1989 Bergman D7/655
D310,944 S * 10/1990 Lutzker D7/655
5,655,303 A * 8/1997 Janczak 30/326
D404,260 S * 1/1999 Lake et al. D7/655
D404,261 S * 1/1999 Lake et al. D7/655
D407,274 S * 3/1999 Lake et al. D7/655
D432,358 S * 10/2000 Natale D7/506
D437,740 S * 2/2001 Manion et al. D7/655
D554,439 S * 11/2007 Malcolm et al. D7/653
D554,440 S * 11/2007 Malcolm et al. D7/653

(Continued)

Primary Examiner — Ricky Pham

(57) **CLAIM**

The ornamental design for a truck spoon, as shown and described.

DESCRIPTION

FIG. 1 is a line drawing showing a perspective view of the top, front and side of the claimed truck spoon.

FIG. 2 is a line drawing showing the top of the claimed truck spoon.

FIG. 3 is a line drawing showing the bottom of the claimed truck spoon.

FIG. 4 is a line drawing showing the left side of the claimed truck spoon.

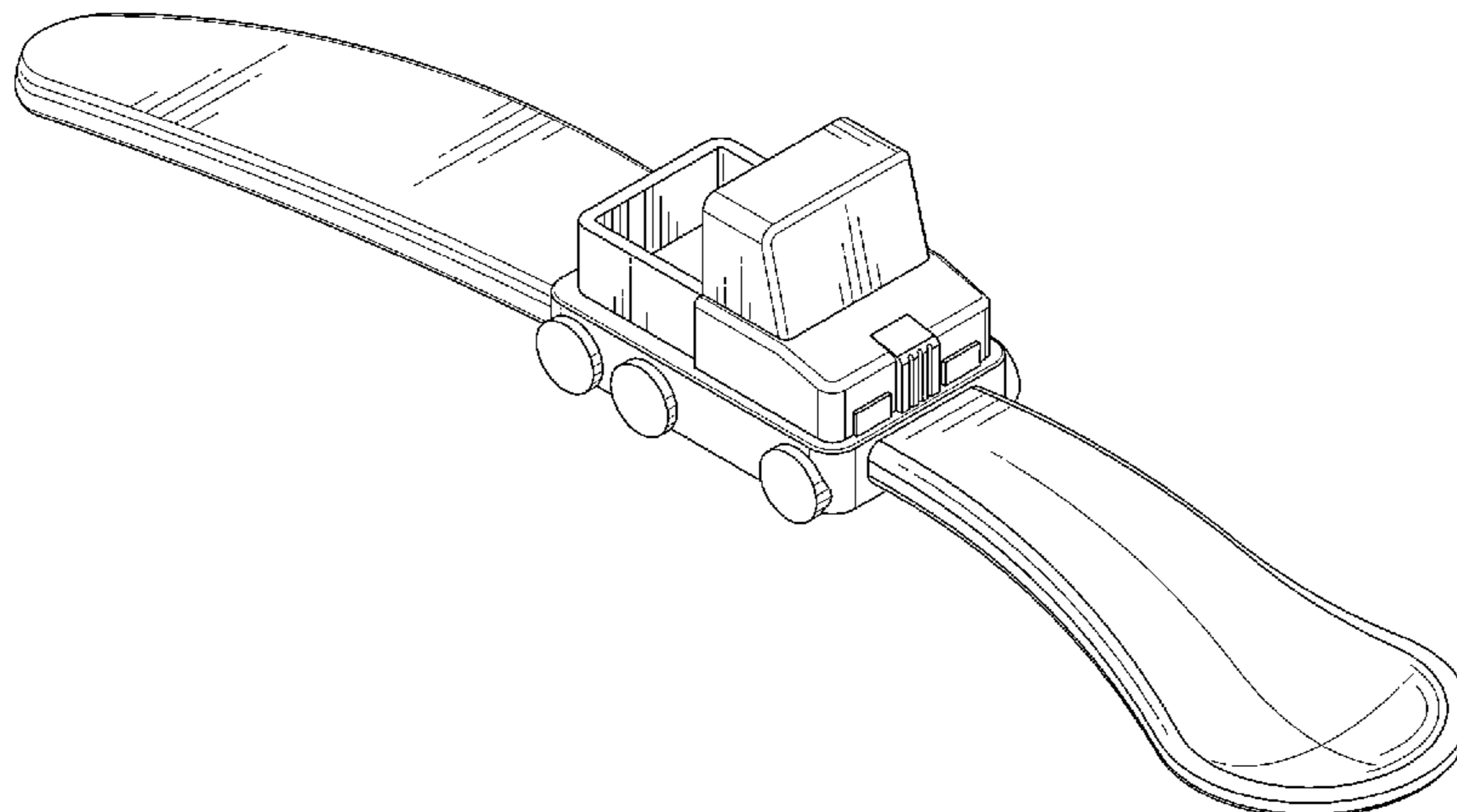
FIG. 5 is a line drawing showing the right side of the claimed truck spoon.

FIG. 6 is a line drawing showing the front of the claimed truck spoon; and,

FIG. 7 is a line drawing showing the back of the claimed truck spoon.

The claimed invention is an ornamental design for a utensil intended for feeding infants and as a training spoon for those learning to eat on their own.

1 Claim, 2 Drawing Sheets



US D716,107 S

Page 2

(56)

References Cited

U.S. PATENT DOCUMENTS

D554,441 S *	11/2007	Malcolm et al.	D7/653	
D576,451 S *	9/2008	Bagley, Jr.	D7/655	
D652,269 S *	1/2012	Skolnik	D7/654	* cited by examiner
D677,999 S *	3/2013	Skolnik	D7/655	
D706,086 S *	6/2014	Bagley, Jr.	D7/654	
2009/0077812 A1 *	3/2009	Malcolm et al.	30/142	

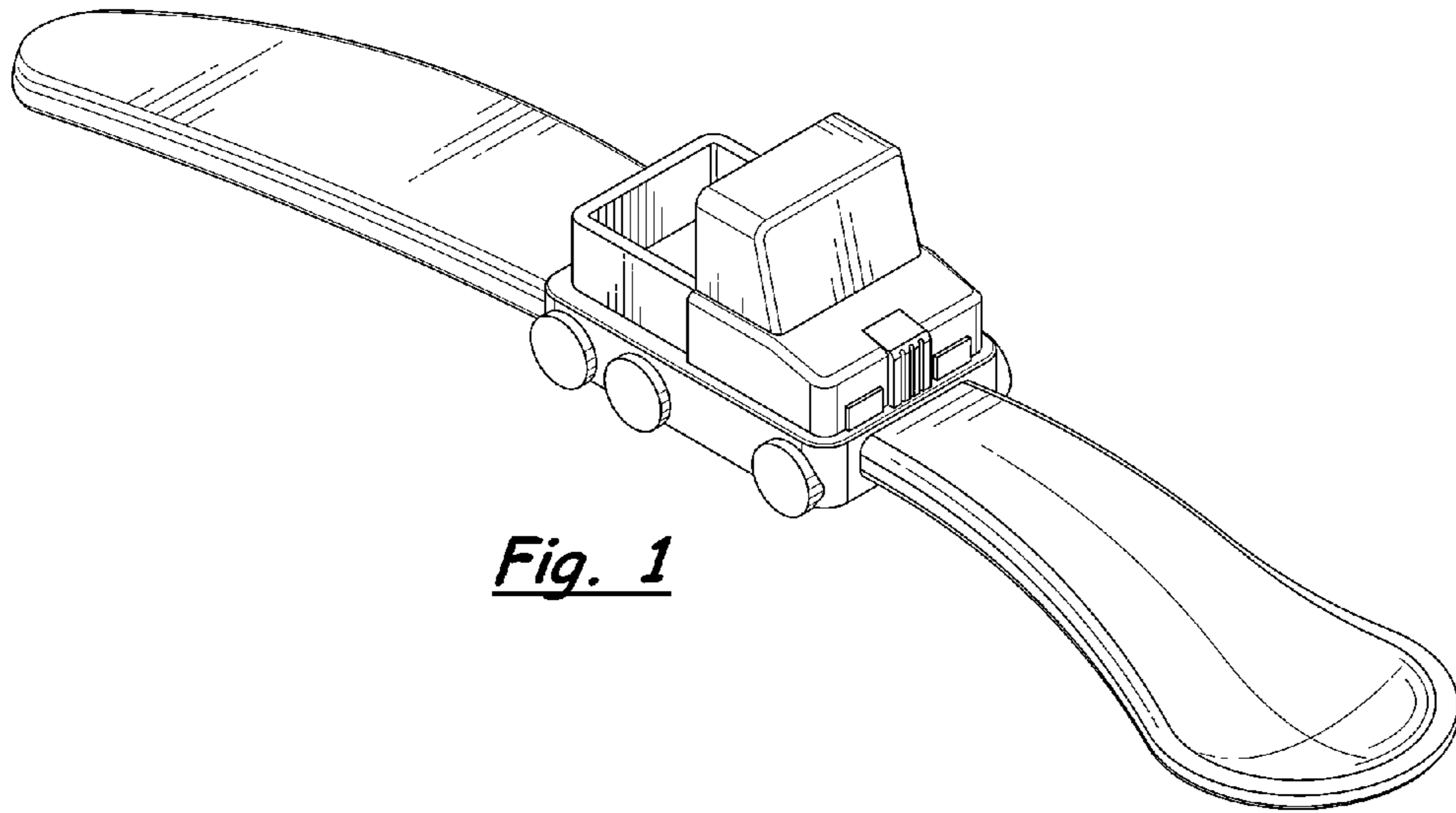


Fig. 1

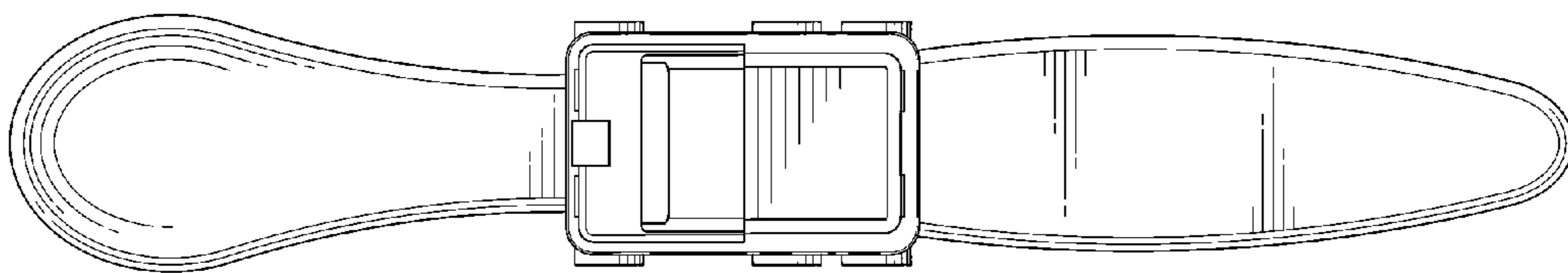


Fig. 2

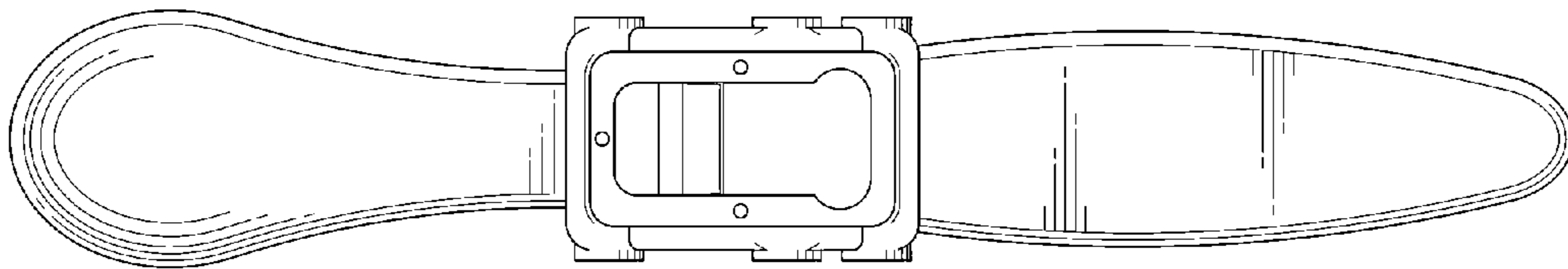


Fig. 3

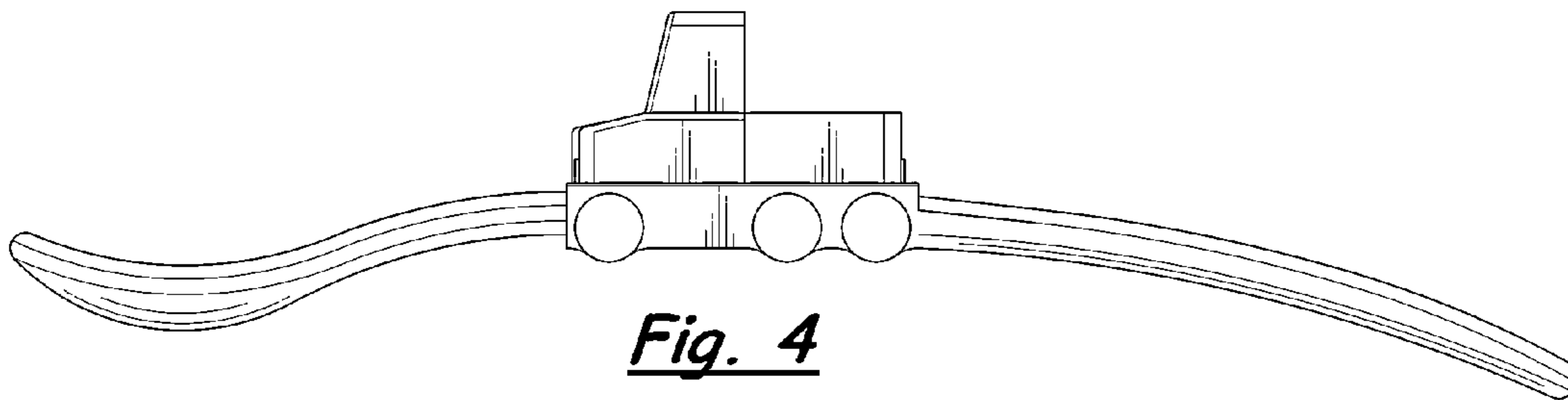


Fig. 4

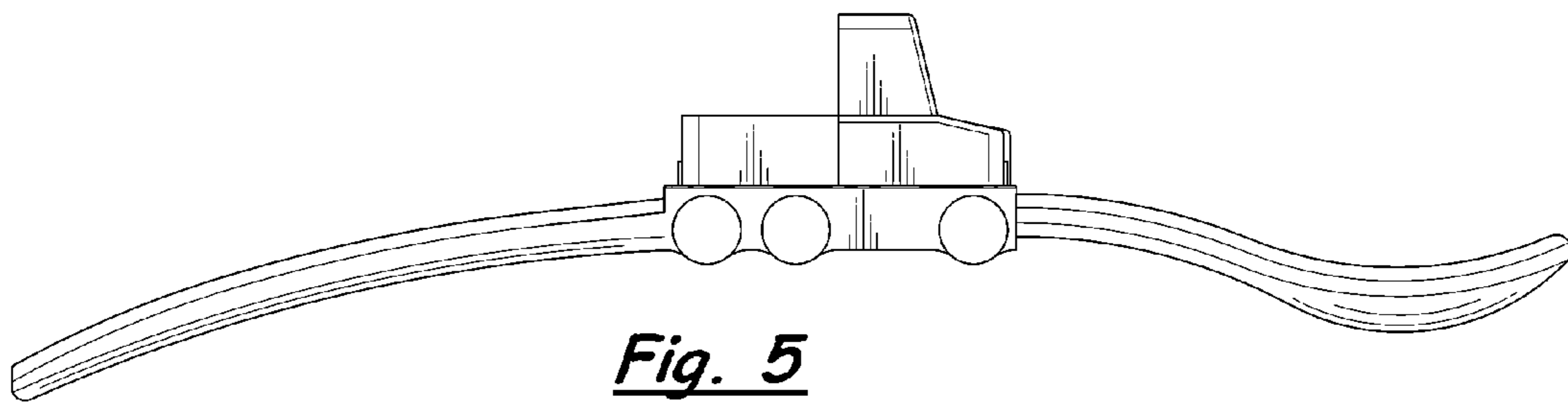


Fig. 5

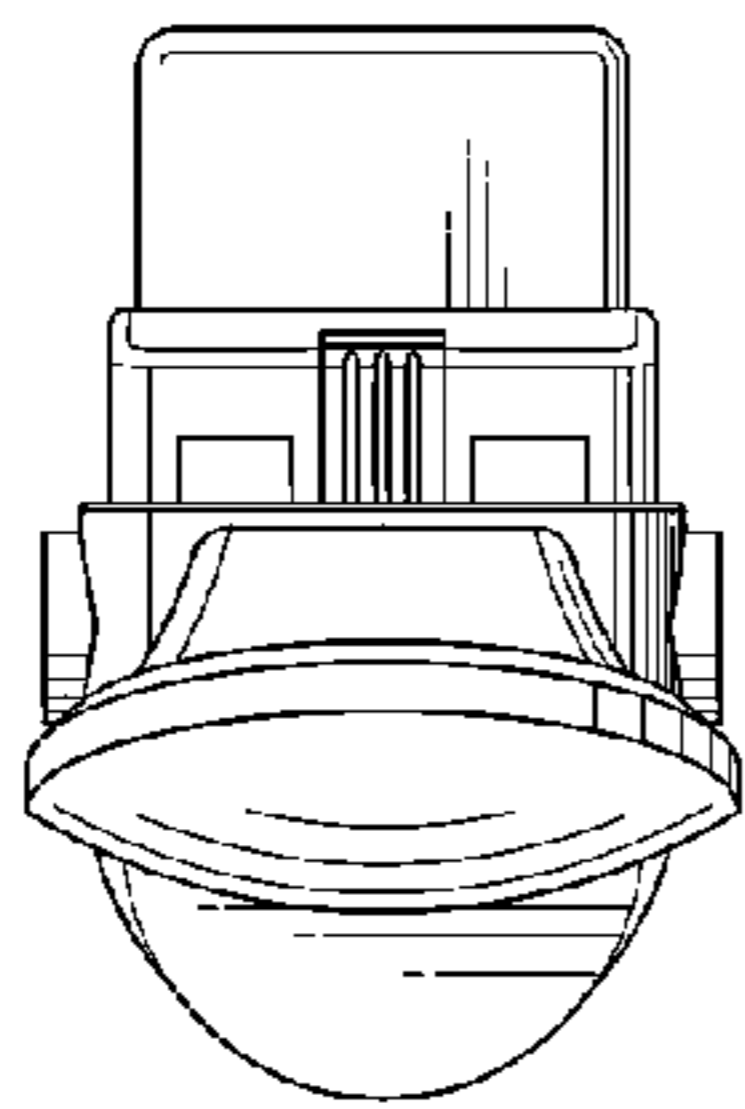


Fig. 6

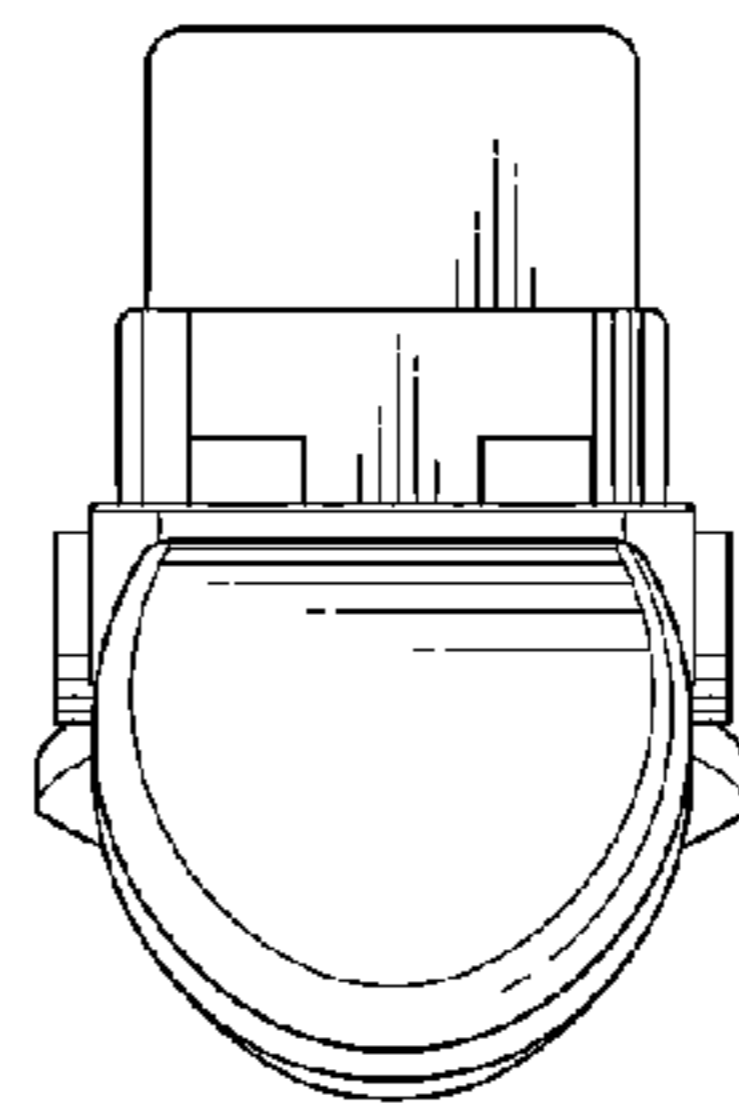


Fig. 7