



US00D716104S

(12) **United States Design Patent**
Lessells

(10) **Patent No.:** **US D716,104 S**
(45) **Date of Patent:** **** Oct. 28, 2014**

(54) **COMBINED BEVERAGE MUG AND CAN HOLDER**

(71) Applicant: **Doug Lessells**, Hilliard, OH (US)

(72) Inventor: **Doug Lessells**, Hilliard, OH (US)

(**) Term: **14 Years**

(21) Appl. No.: **29/477,855**

(22) Filed: **Dec. 27, 2013**

(51) **LOC (10) Cl.** **07-06**

(52) **U.S. Cl.**
USPC **D7/625; D7/606; D7/619.2**

(58) **Field of Classification Search**
CPC B65D 81/3876
USPC D7/605–608, 619.1–625; D9/444, 668;
248/346.11, 346.01, 311.2; 215/12.1,
215/12.2, 13.1, 392–396; 62/457.1–457.9,
62/529, 530; 220/915.1, 915.2, 737–741,
220/902, 592.16, 592.17, 592.2
See application file for complete search history.

(56) **References Cited**

U.S. PATENT DOCUMENTS

D365,727 S *	1/1996	Adams et al.	D7/536
5,909,821 A *	6/1999	Guridi	220/739
D442,833 S *	5/2001	Shuman	D7/608
6,409,608 B1 *	6/2002	Garske	473/175
7,201,285 B2 *	4/2007	Beggins	215/386
D608,590 S *	1/2010	Geter et al.	D7/515
D620,764 S *	8/2010	Lessells	D7/624.2
D621,657 S *	8/2010	Quinn	D7/507

D624,368 S *	9/2010	Paslawski	D7/625
D633,342 S *	3/2011	Paslawski	D7/625
D663,169 S *	7/2012	Beggins et al.	D7/608
D673,428 S *	1/2013	Lessells	D7/625
2002/0014491 A1 *	2/2002	Duff et al.	220/592.16

* cited by examiner

Primary Examiner — Terry Wallace

(74) *Attorney, Agent, or Firm* — Standley Law Group LLP

(57) **CLAIM**

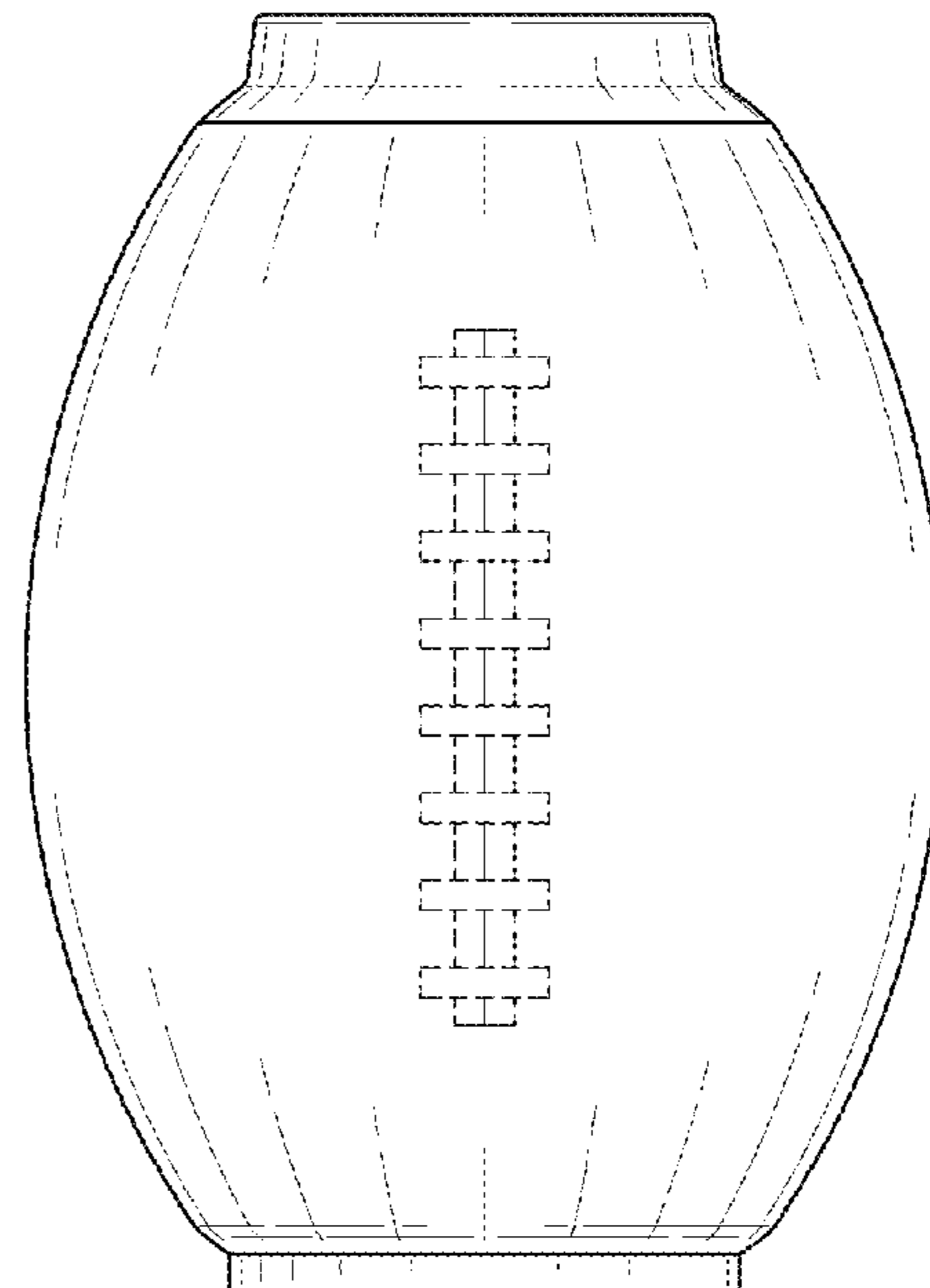
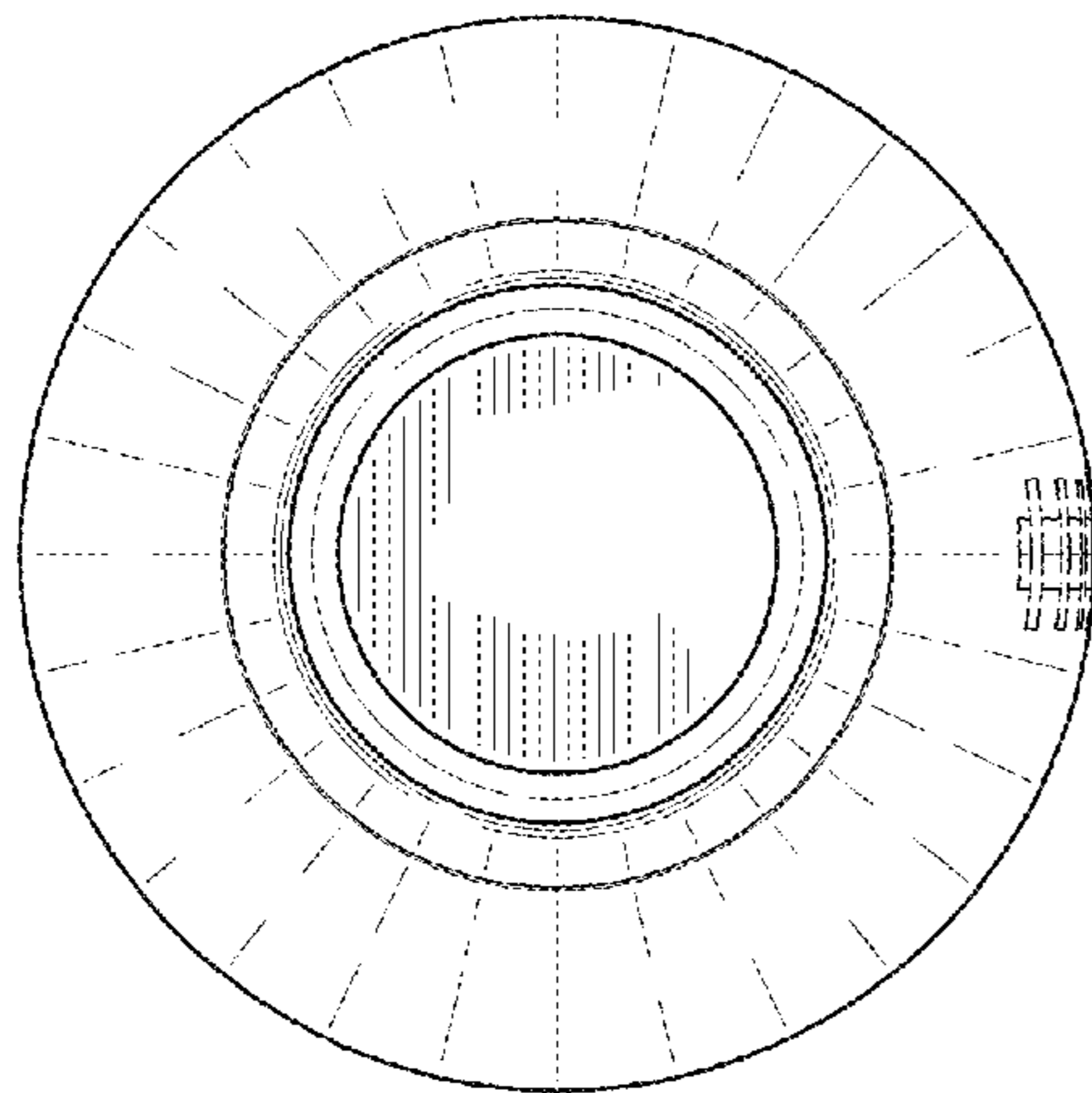
The ornamental design for a combined beverage mug and can holder, as shown and described.

DESCRIPTION

FIG. 1 is an assembled front perspective view of the combined beverage mug and can holder;
FIG. 2 is a left side elevation view;
FIG. 3 is a top plan view;
FIG. 4 is a rear elevation view;
FIG. 5 is a right side elevation view;
FIG. 6 is a bottom plan view;
FIG. 7 is a front elevation view; and,
FIG. 8 is a exploded perspective view, corresponding to FIG. 1, with the removable cup portion shown removed from the holder.

The broken line showing the beverage can is included for the purpose of illustrating the environment of the combined beverage mug and can holder and forms no part of the claimed design.

1 Claim, 4 Drawing Sheets



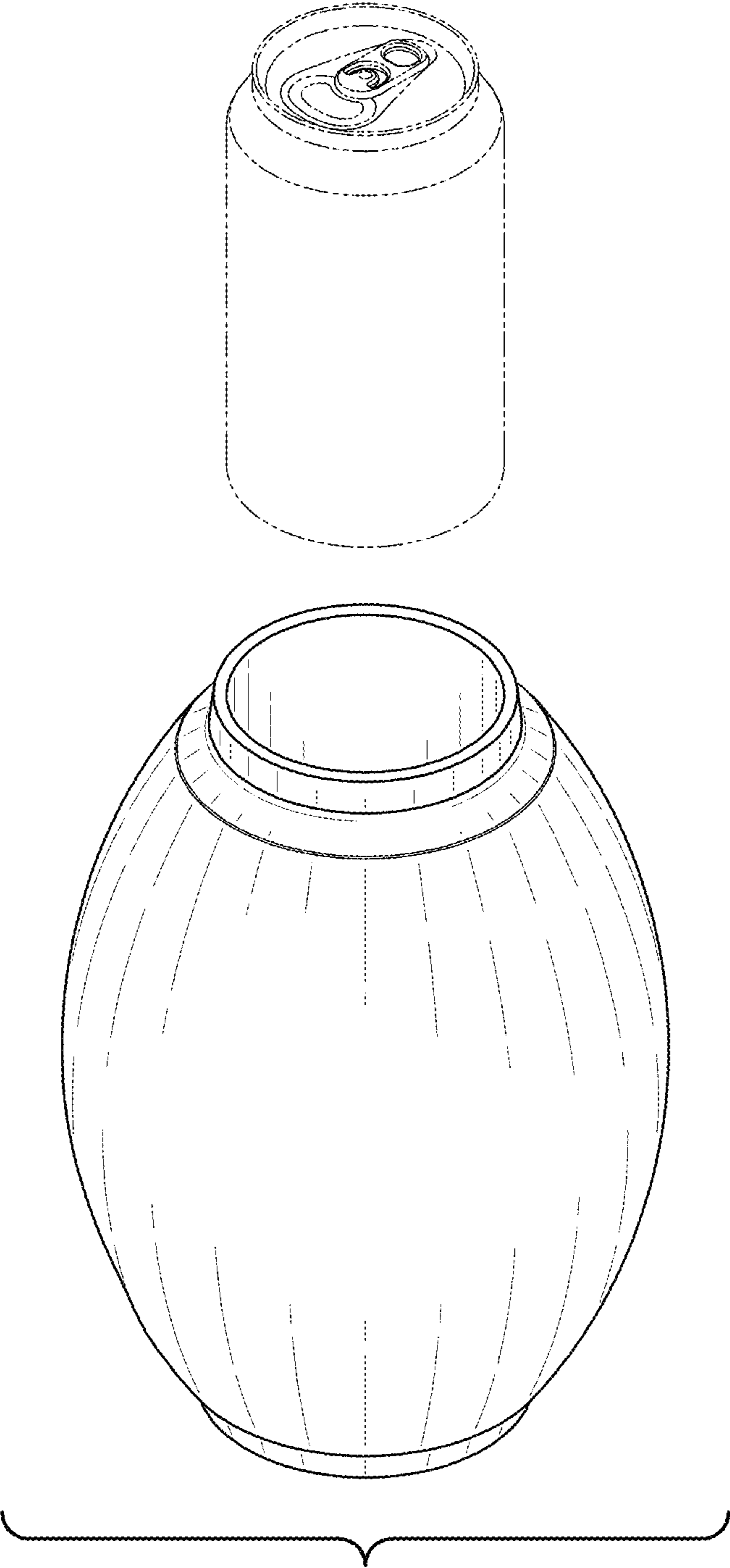


FIG-1

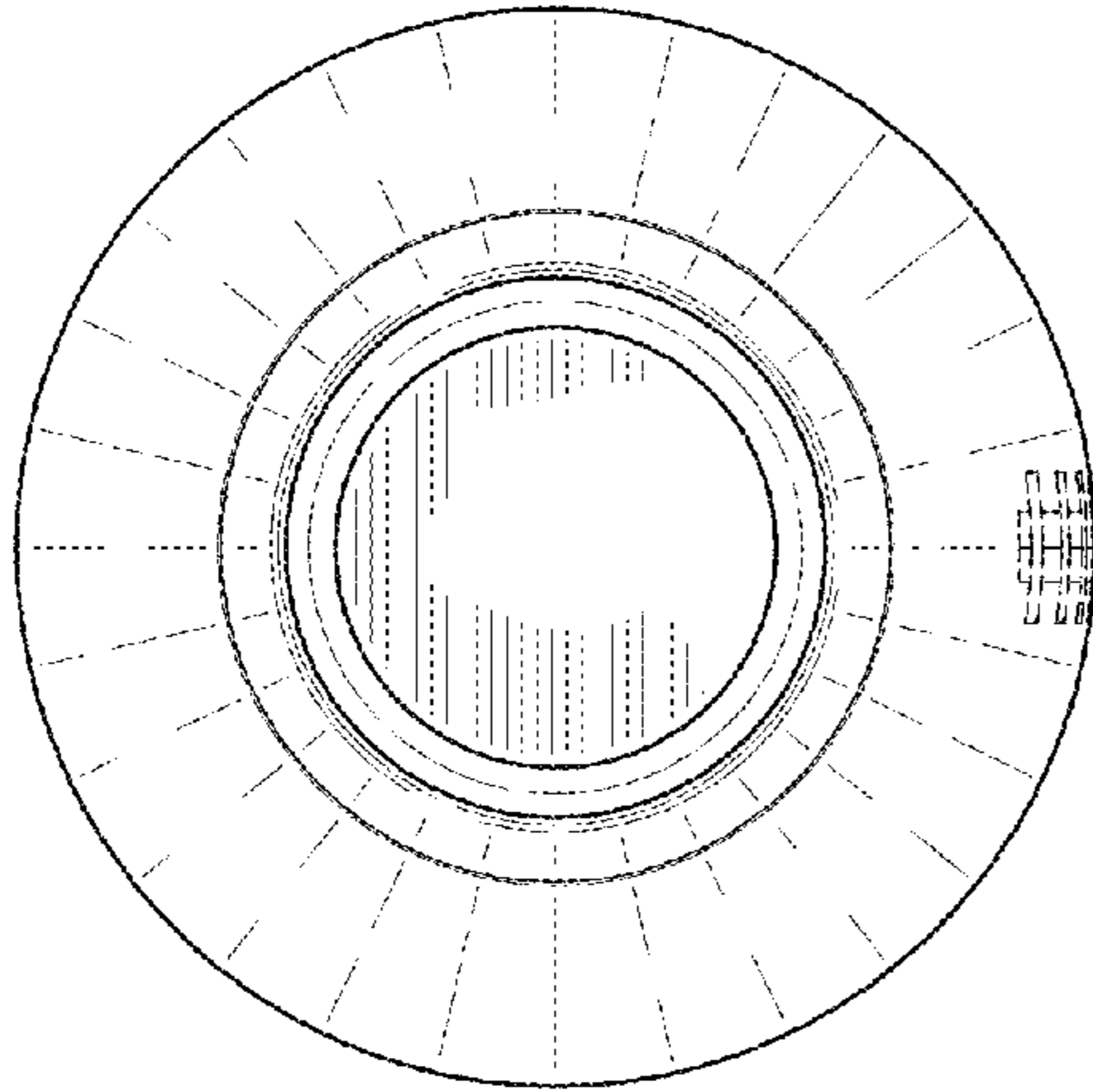


FIG-3

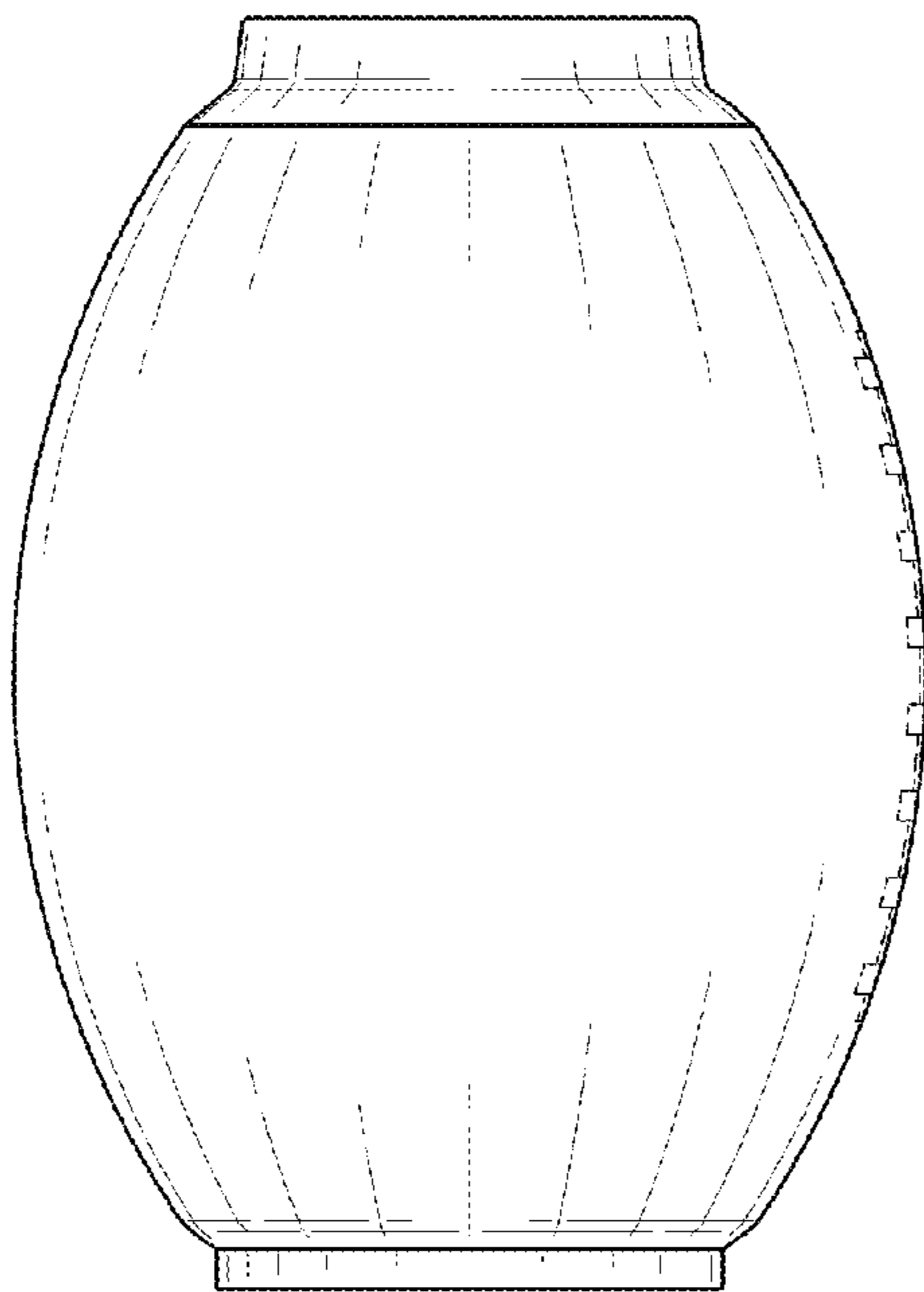


FIG-2

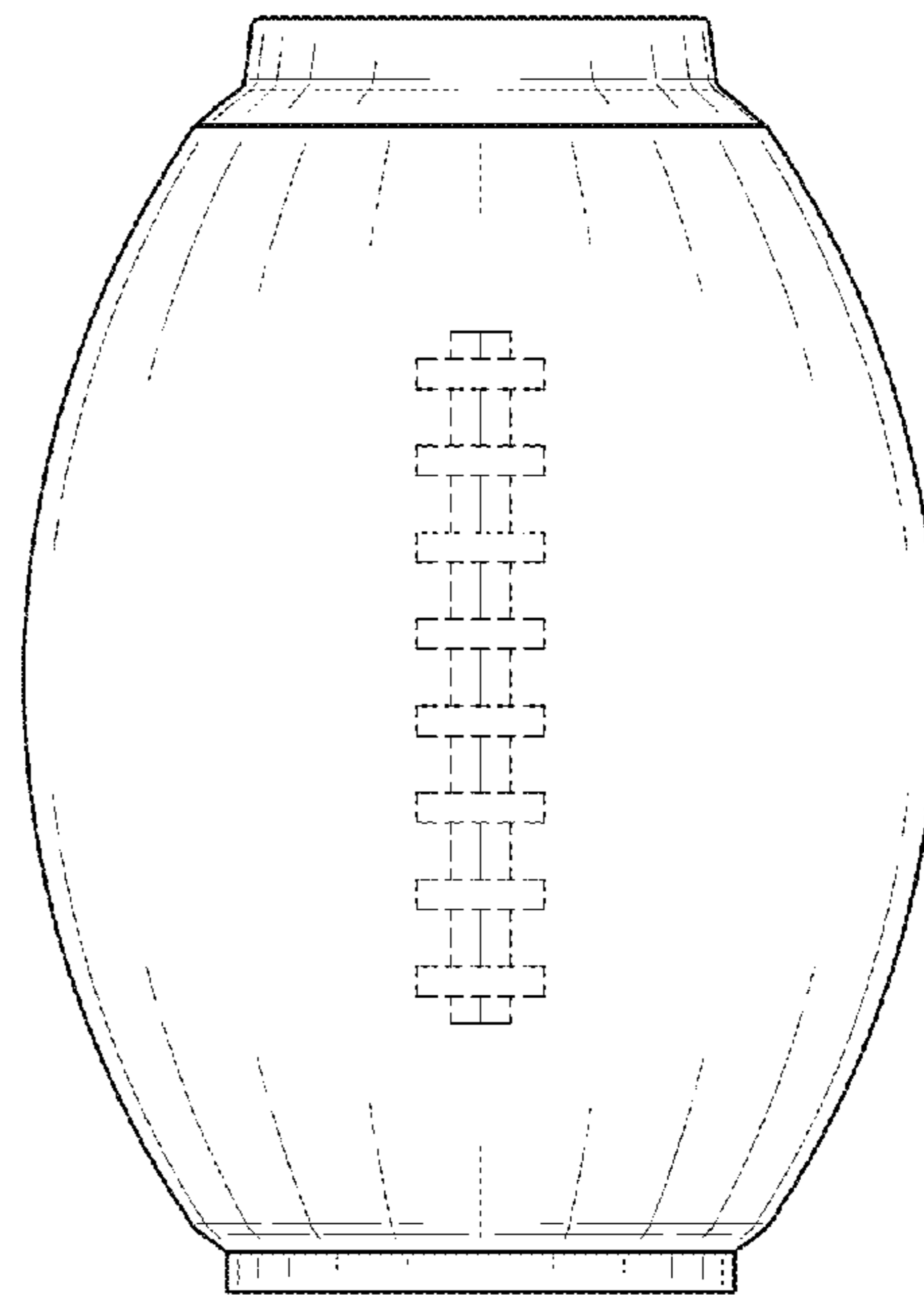


FIG-4

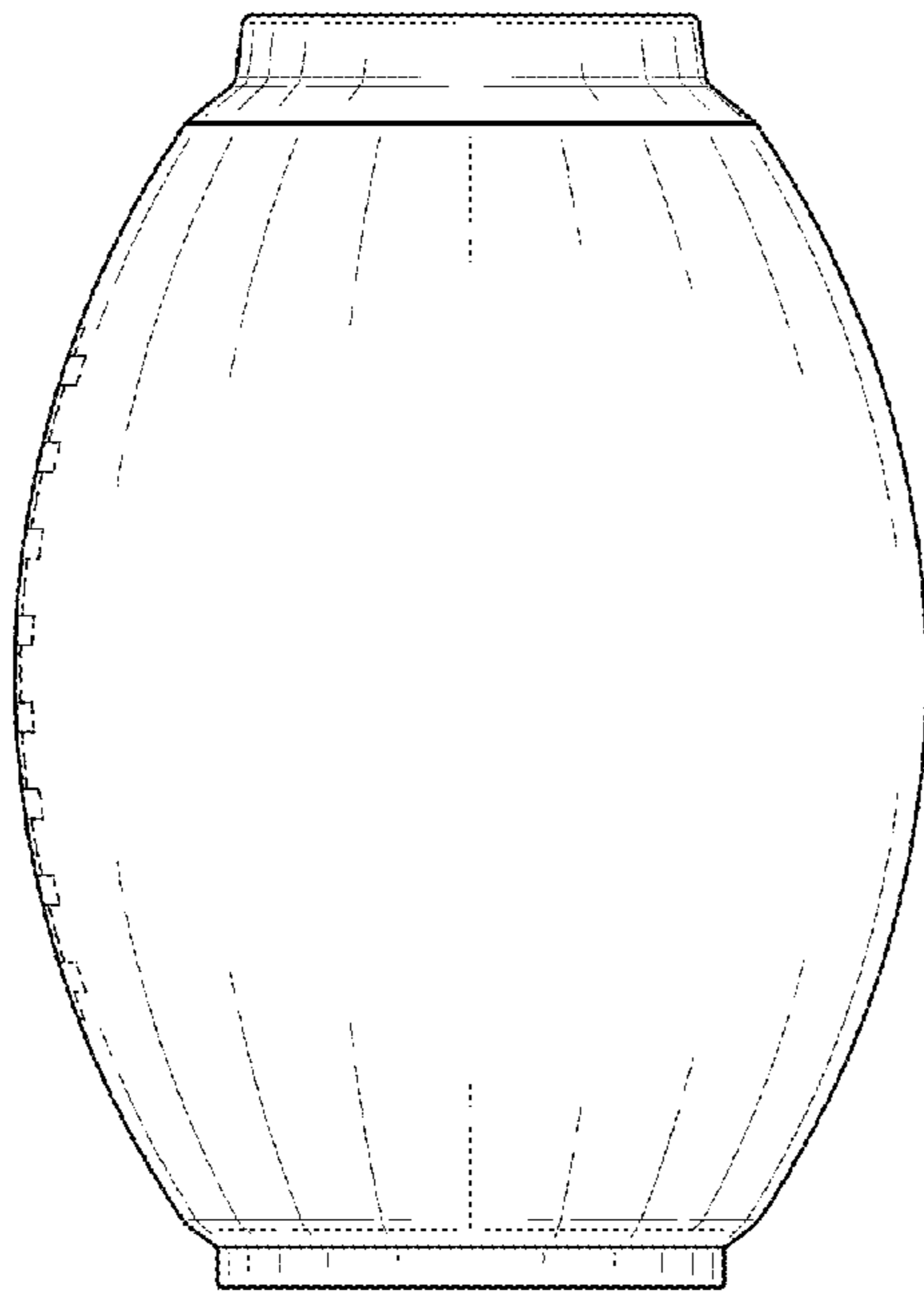


FIG-5

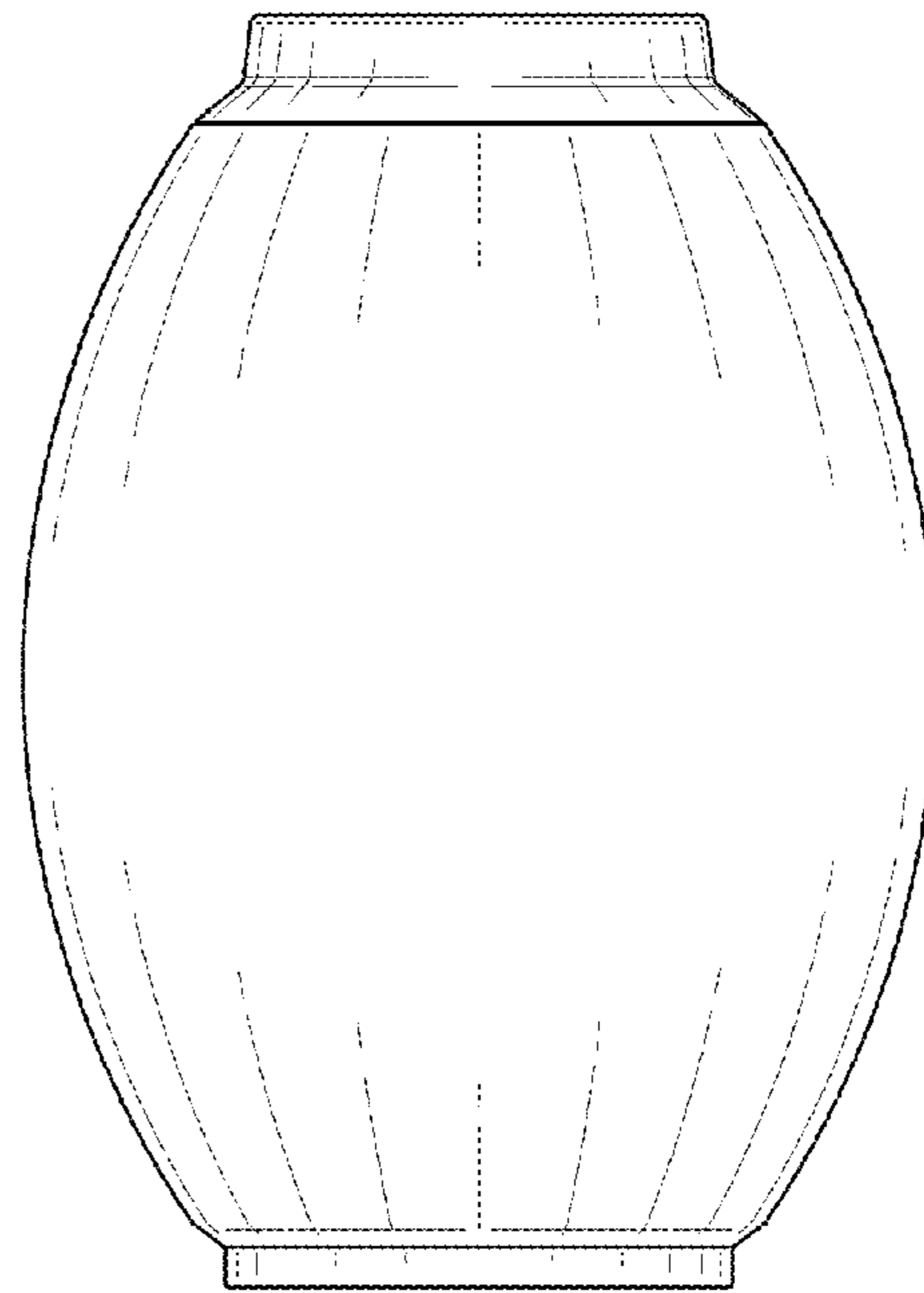


FIG-7

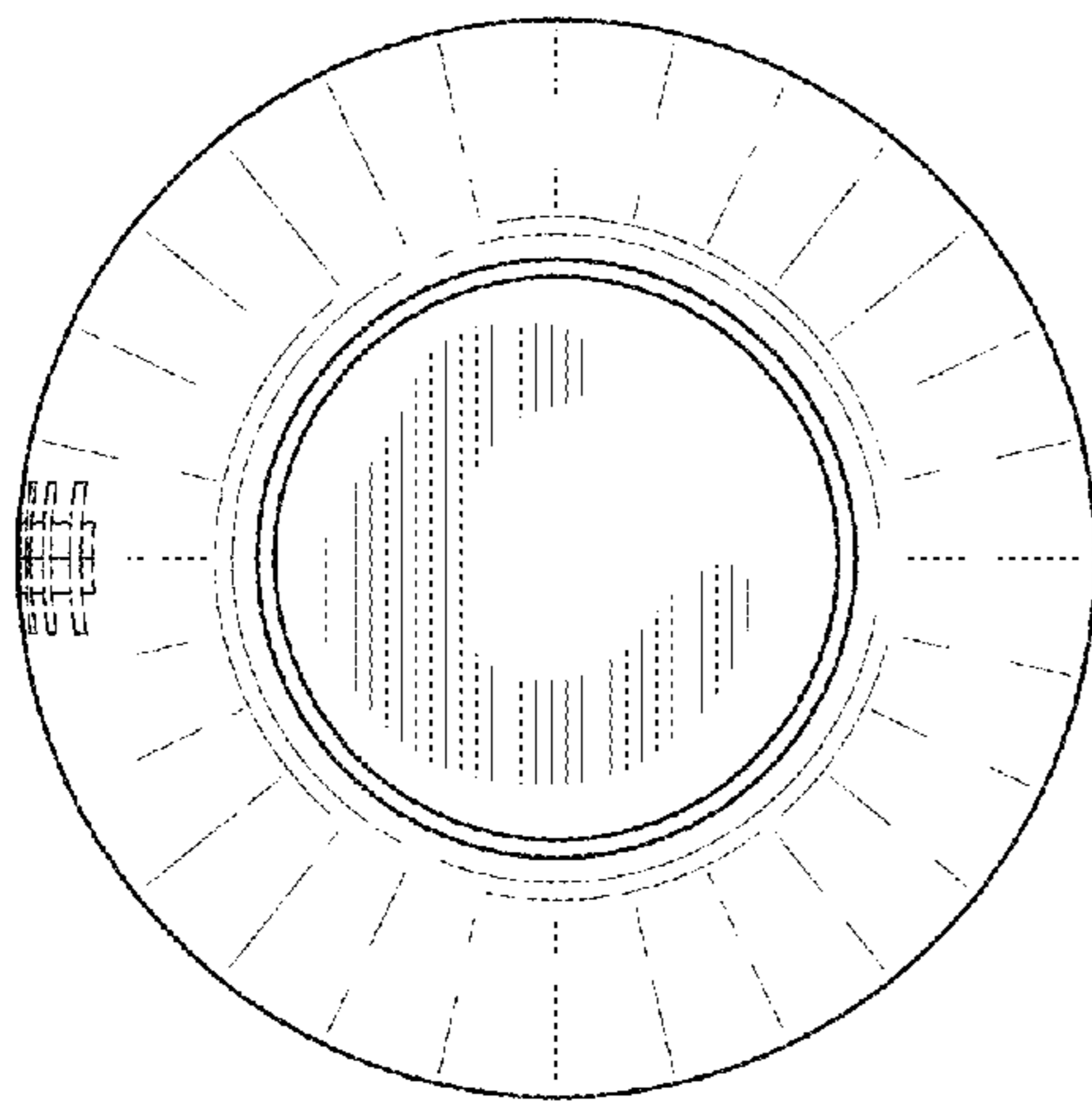


FIG-6

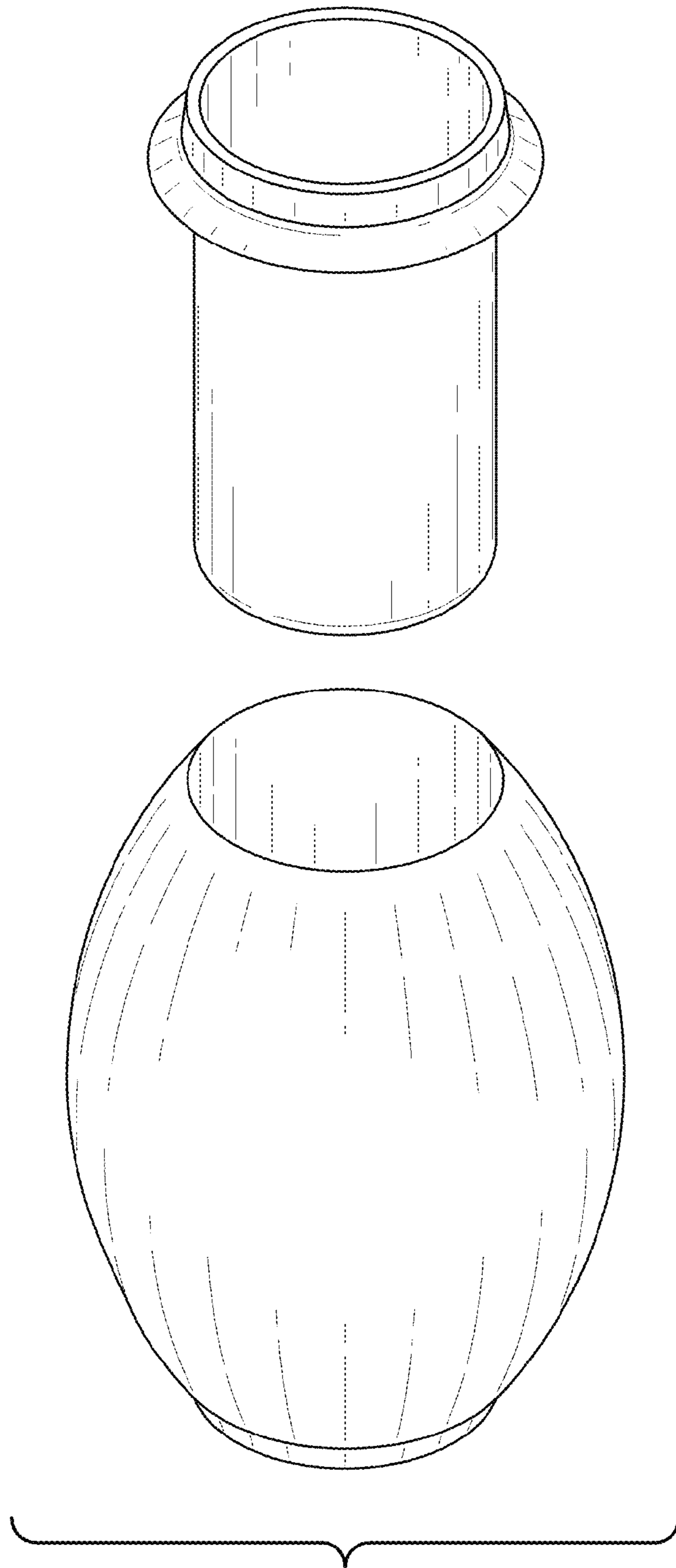


FIG-8