



US00D716102S

(12) **United States Design Patent**
Morales

(10) **Patent No.:** **US D716,102 S**
(45) **Date of Patent:** **** Oct. 28, 2014**

(54) **JUG COOLER**

(71) Applicant: **Polimes S.A.**, Bogota (CO)
(72) Inventor: **Hernando Morales**, Bogota (CO)
(73) Assignee: **Polimes S.A.**, Bogota (CO)
(**) Term: **14 Years**
(21) Appl. No.: **29/432,607**

(22) Filed: **Sep. 18, 2012**
(51) **LOC (10) Cl.** **07-01**
(52) **U.S. Cl.**
USPC **D7/608**

(58) **Field of Classification Search**
USPC D7/300, 305, 312, 313, 605-608, 500,
D7/503, 504, 509, 510, 511, 591, 629, 710,
D7/314-322, 533, 536; D9/529, 521, 688,
D9/689, 523, 516, 538, 502, 503, 500, 504,
D9/667; 62/457.1-457.8, 386, 372, 374;
215/13.1, 378, 386, 12.1, 12.2, 6,
215/392-398; 206/216, 217, 223, 547;
220/412, 465, 444, 902, 714, 596.16,
220/592.17, 592.22, 592.23, 592.27, 703,
220/711, 715, 737-740; 222/131, 396
See application file for complete search history.

(56) **References Cited**
U.S. PATENT DOCUMENTS
3,170,586 A * 2/1965 Bulgrin 220/4.04
D200,808 S * 4/1965 Heisler et al. D34/39

D210,307 S * 2/1968 Branscom D7/313
D242,127 S * 11/1976 Bonnett D34/39
D243,155 S * 1/1977 Bonnett D34/39
D286,097 S * 10/1986 Imanishi et al. D34/39
D335,744 S * 5/1993 Small et al. D34/39
D374,959 S * 10/1996 Mull D34/39
D391,450 S * 3/1998 Rausch D7/605
6,530,496 B2 * 3/2003 Moran 220/603
D490,654 S * 6/2004 Allen et al. D7/515
D494,424 S * 8/2004 Segura D7/608
D526,827 S * 8/2006 Allen et al. D7/306
D529,749 S * 10/2006 Allen et al. D7/306
D551,895 S * 10/2007 Allen et al. D7/313
D653,086 S * 1/2012 Morales D7/608
2005/0039819 A1 * 2/2005 Peltier 141/314

* cited by examiner
Primary Examiner — Ian Simmons
Assistant Examiner — Shannon Morgan
(74) *Attorney, Agent, or Firm* — Ladas & Parry LLP

(57) **CLAIM**
The ornamental design for a jug cooler, as shown and described.

DESCRIPTION

FIG. 1 is a front elevation view of a jug cooler showing my new design;
FIG. 2 is a rear elevation view thereof;
FIG. 3 is a right side elevation view thereof;
FIG. 4 is a left side elevation view thereof;
FIG. 5 is a top plan view thereof;
FIG. 6 is a bottom plan view thereof; and,
FIG. 7 is a top front perspective view thereof.

1 Claim, 7 Drawing Sheets

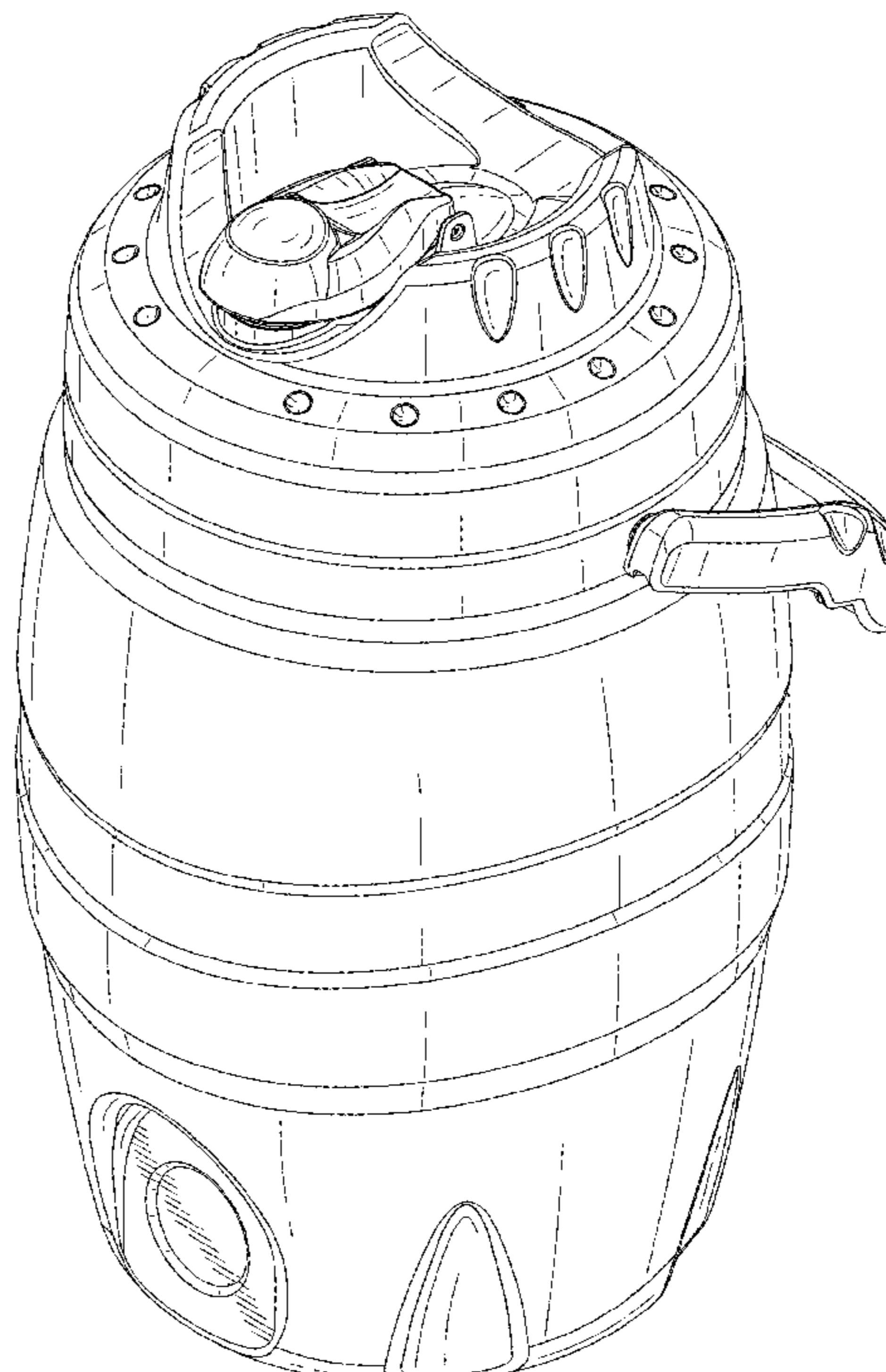
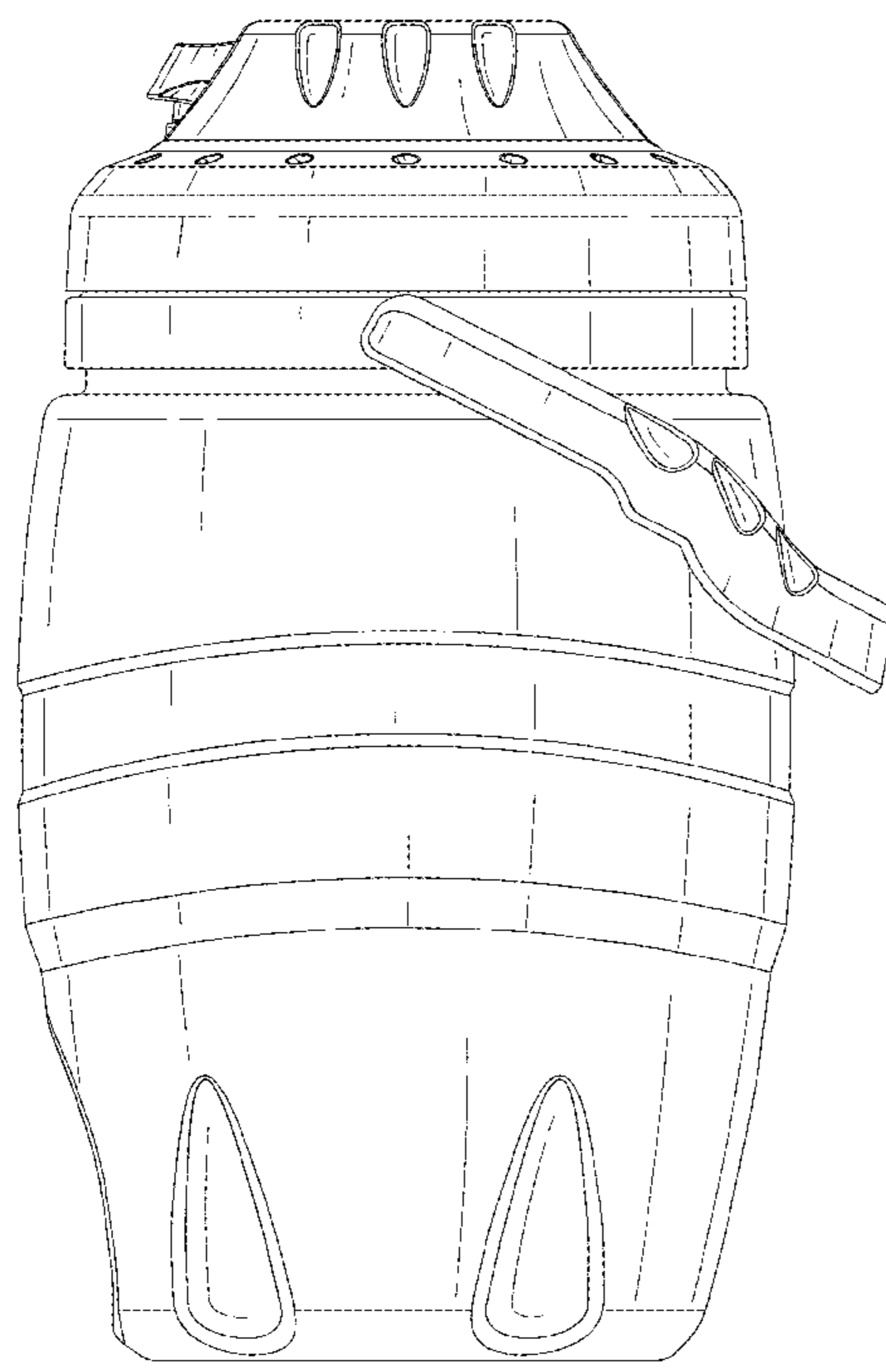


FIG 1

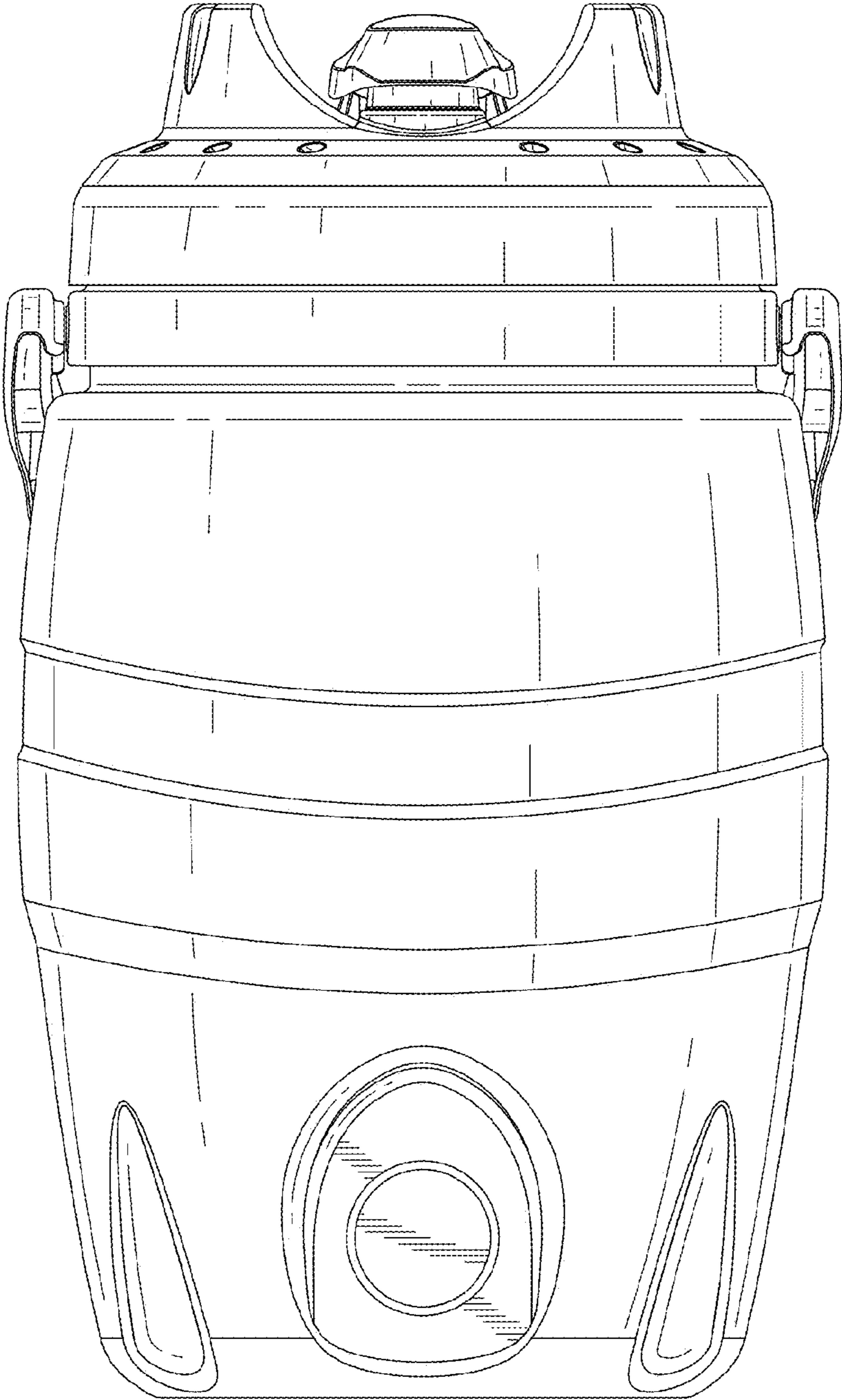


FIG 2

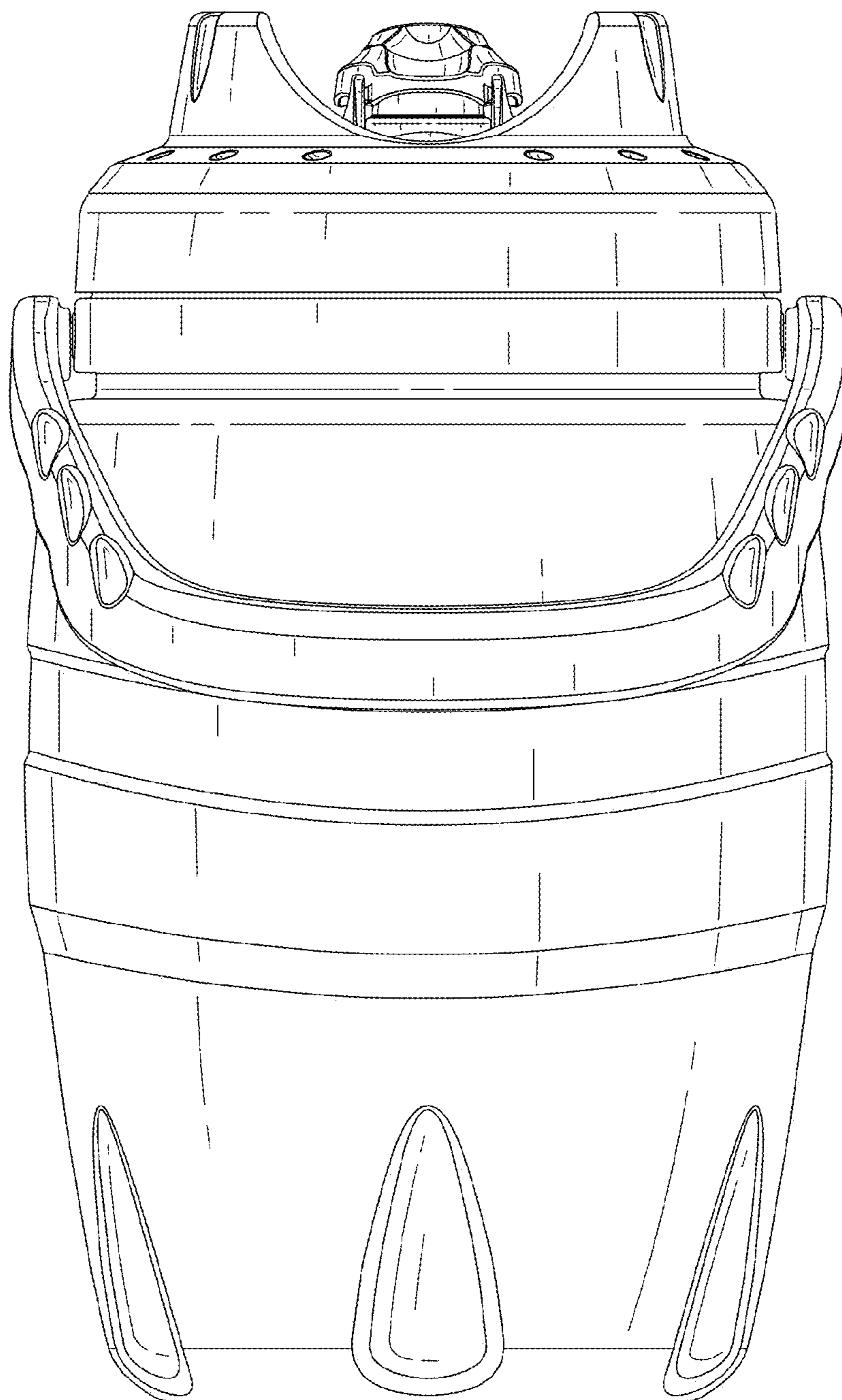


FIG 3

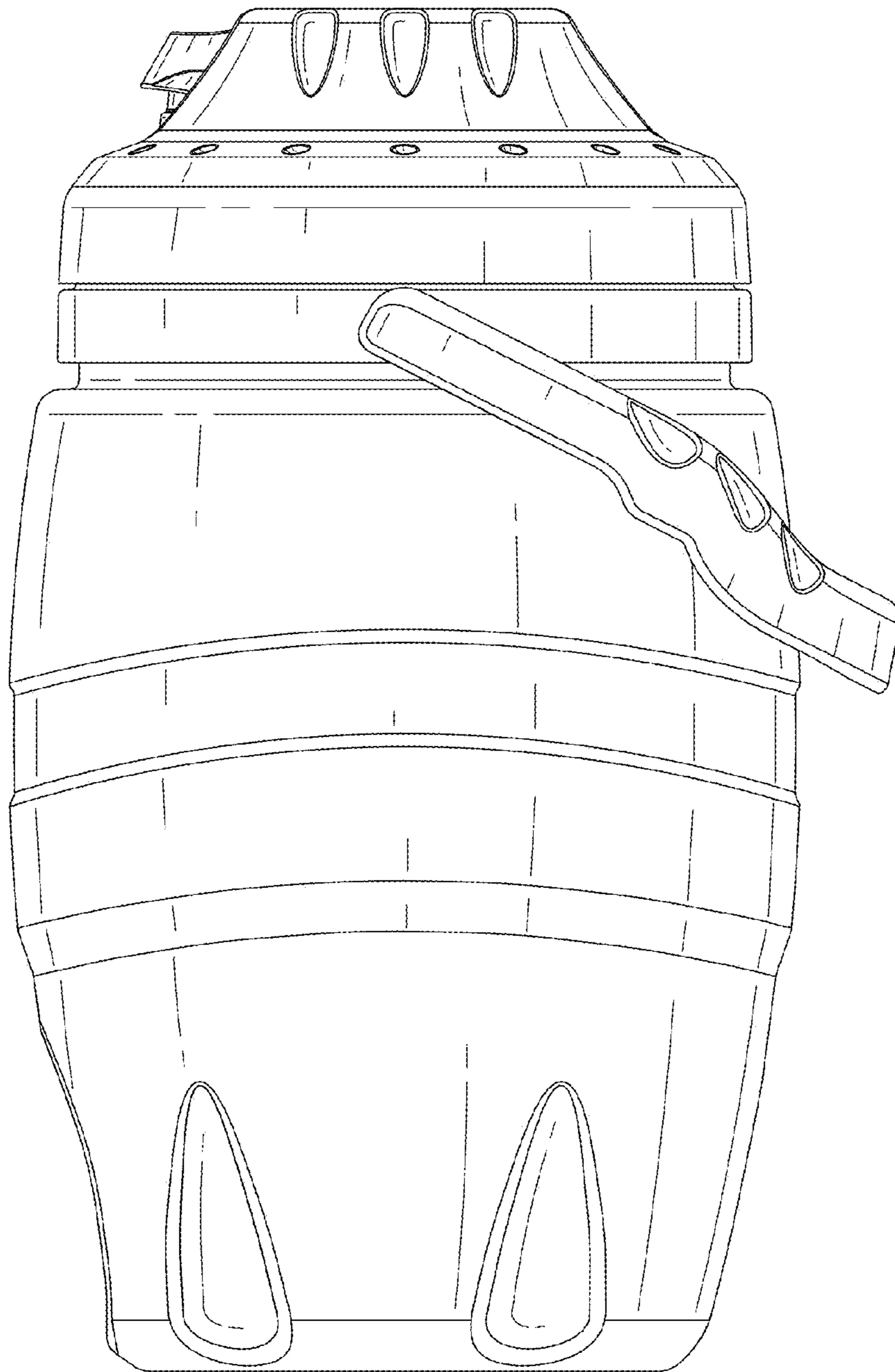


FIG 4

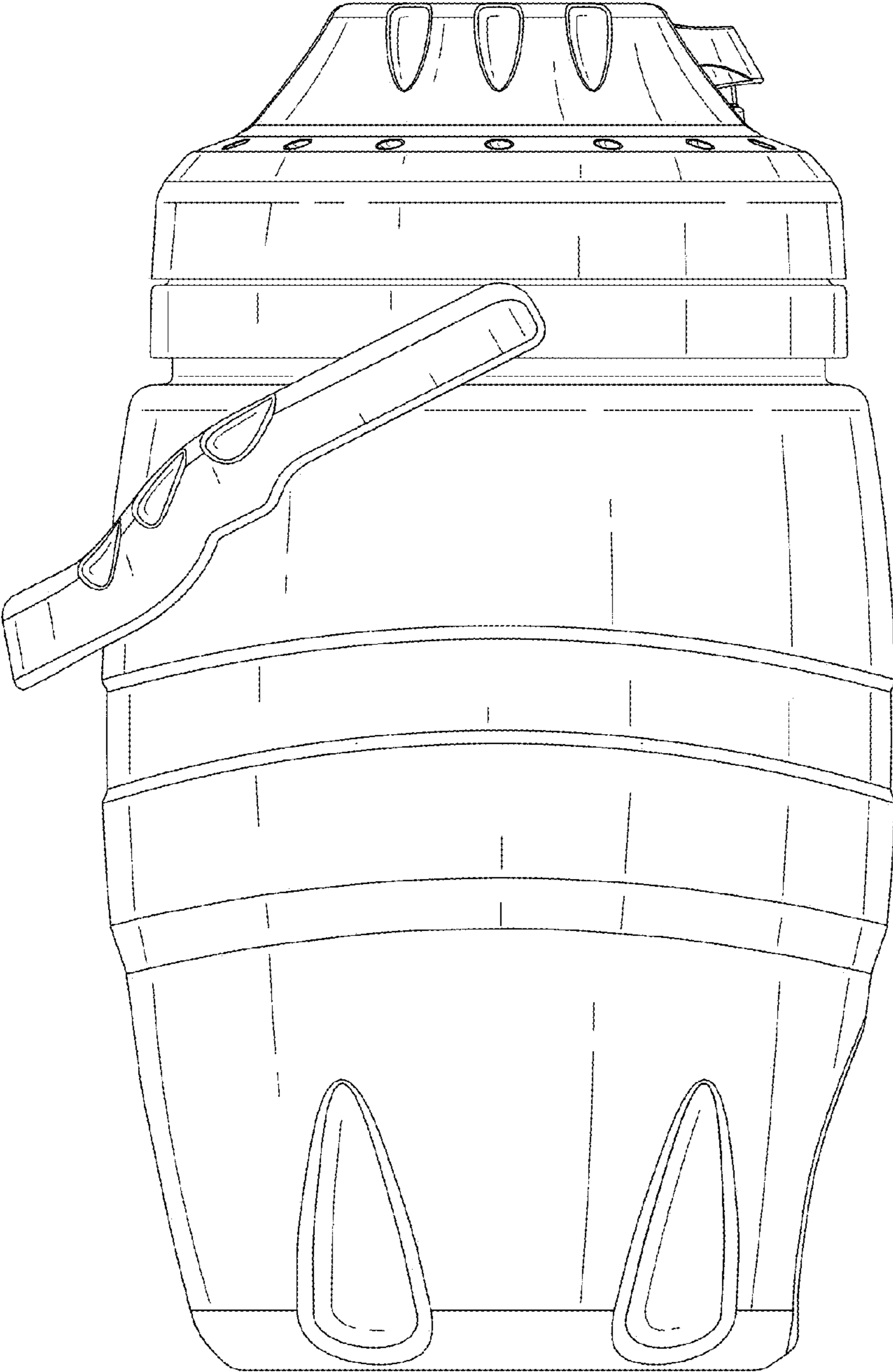


FIG 5

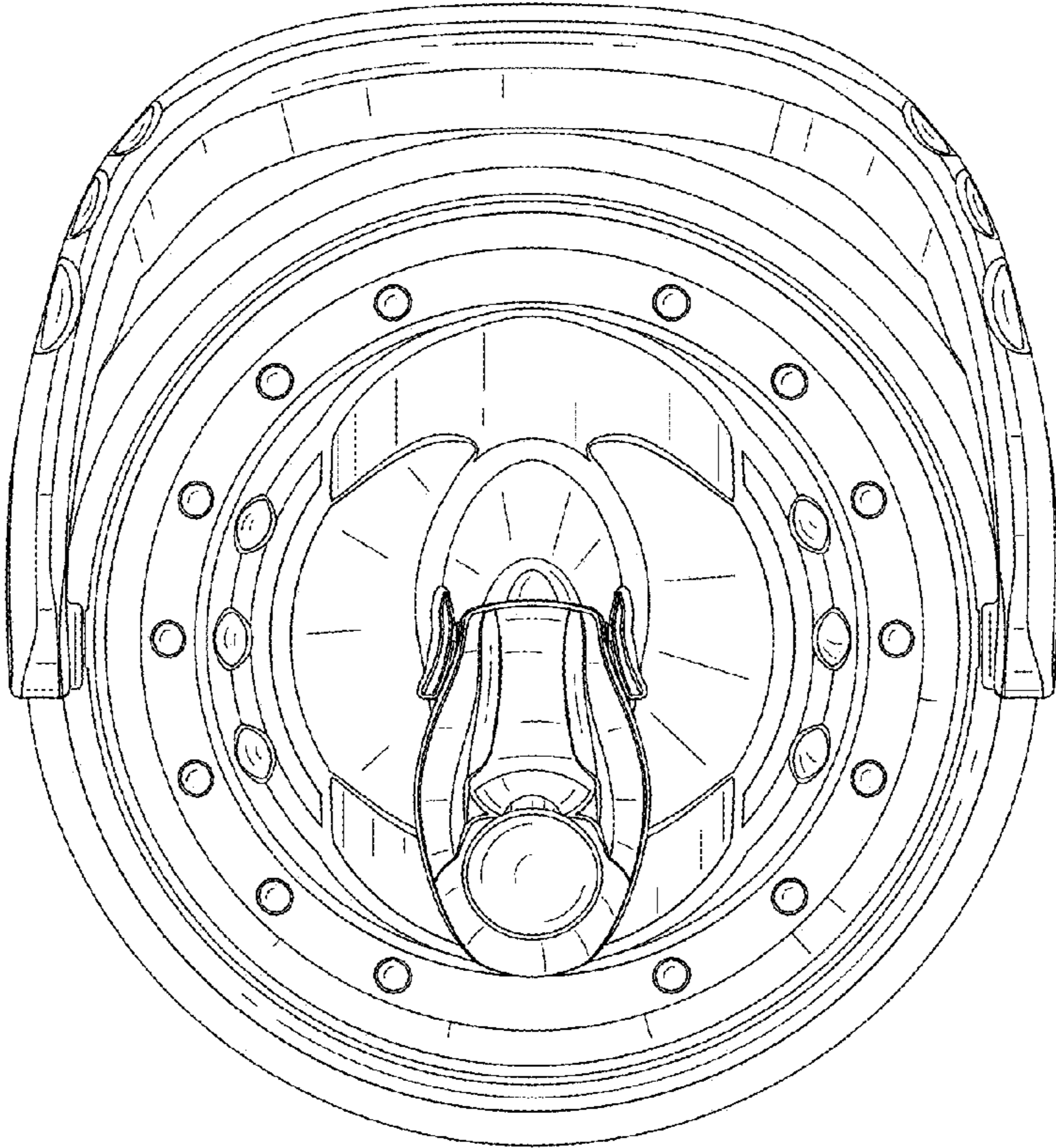


FIG 6

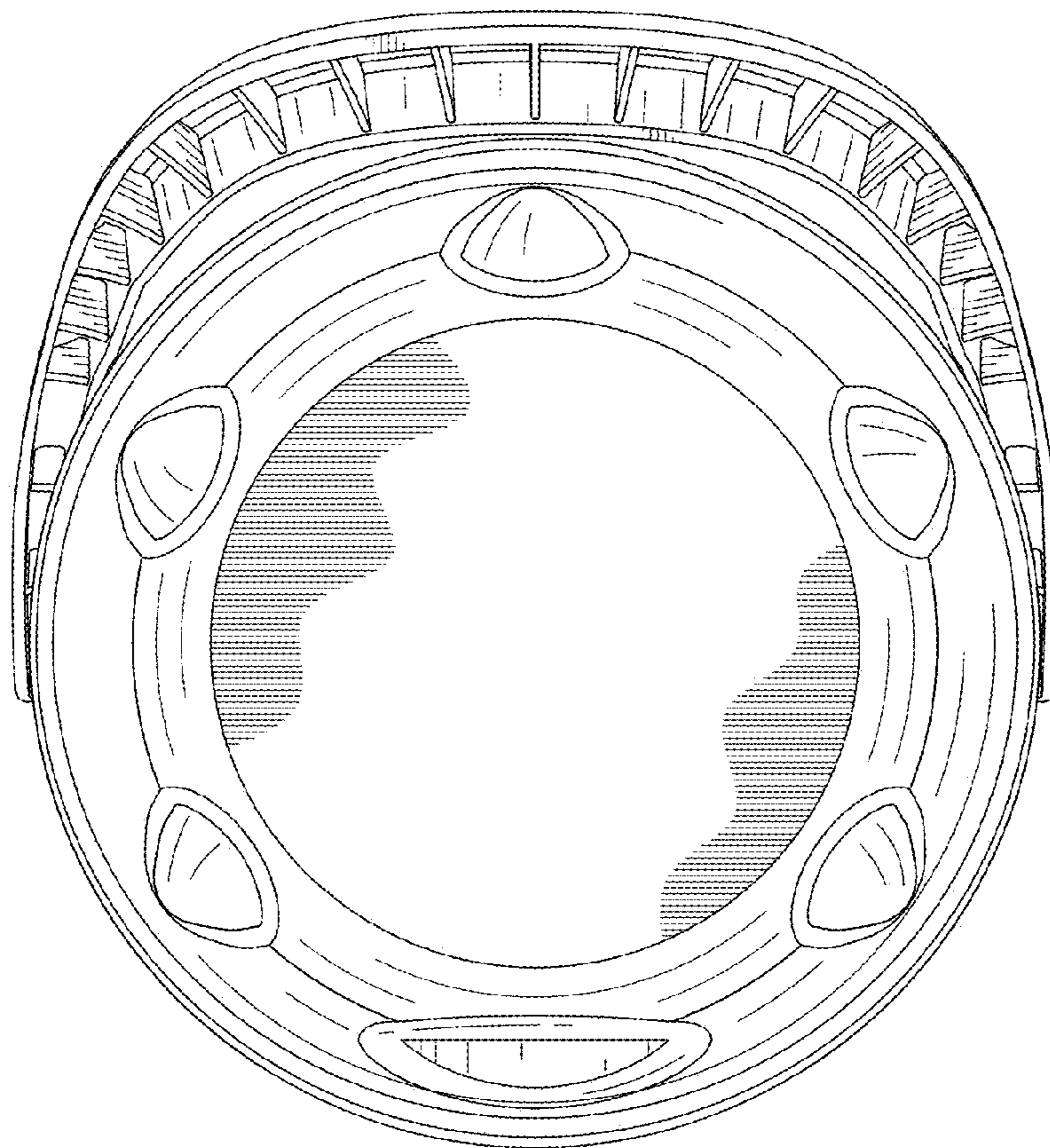


FIG 7

