



US00D716101S

(12) **United States Design Patent**  
**Rosow et al.**

(10) **Patent No.:** **US D716,101 S**  
(45) **Date of Patent:** **\*\* Oct. 28, 2014**

(54) **NOVELTY BEVERAGE CONTAINER**

(71) Applicants: **Dean A. Rosow**, Miami Beach, FL (US);  
**Scott G. Strobel**, Plymouth, CT (US)

(72) Inventors: **Dean A. Rosow**, Miami Beach, FL (US);  
**Scott G. Strobel**, Plymouth, CT (US)

(73) Assignee: **Progressive Specialty Glass**, Plainville,  
CT (US)

(\*\*) Term: **14 Years**

(21) Appl. No.: **29/464,963**

(22) Filed: **Aug. 22, 2013**

(51) **LOC (10) Cl.** ..... **07-01**

(52) **U.S. Cl.**  
USPC ..... **D7/537; D7/515**

(58) **Field of Classification Search**  
USPC ..... D7/510, 511, 512, 523, 507, 531, 524,  
D7/537, 528, 533, 536, 509, 515, 514;  
220/8, 92, 714, 666, 23.83, 719, 713,  
220/630; 215/11.5, 398, 378; 206/218, 581;  
D24/197

See application file for complete search history.

(56) **References Cited**

U.S. PATENT DOCUMENTS

D11,149 S *	4/1879	Hood	.....	D9/521
D77,942 S *	3/1929	Dougherty	.....	D7/537
D316,814 S *	5/1991	Duffy et al.	.....	D9/521
D495,210 S *	8/2004	Rosow	.....	D7/524
D535,559 S *	1/2007	Kehoe	.....	D9/440
D569,688 S *	5/2008	Despres	.....	D7/510
D572,532 S *	7/2008	Despres	.....	D7/511
D695,068 S *	12/2013	Strobel	.....	D7/510

\* cited by examiner

*Primary Examiner* — Marianne Pandozzi

(74) *Attorney, Agent, or Firm* — Meyertons, Hood, Kivlin,  
Kowert & Goetzel, P.C.; Eric B. Meyertons

(57) **CLAIM**

The ornamental design for a novelty beverage container, as shown and described.

**DESCRIPTION**

FIG. 1 is a front left top perspective view of a novelty beverage container.

FIG. 2 is a front view of a novelty beverage container.

FIG. 3 is a rear view of a novelty beverage container.

FIG. 4 is a right view of a novelty beverage container.

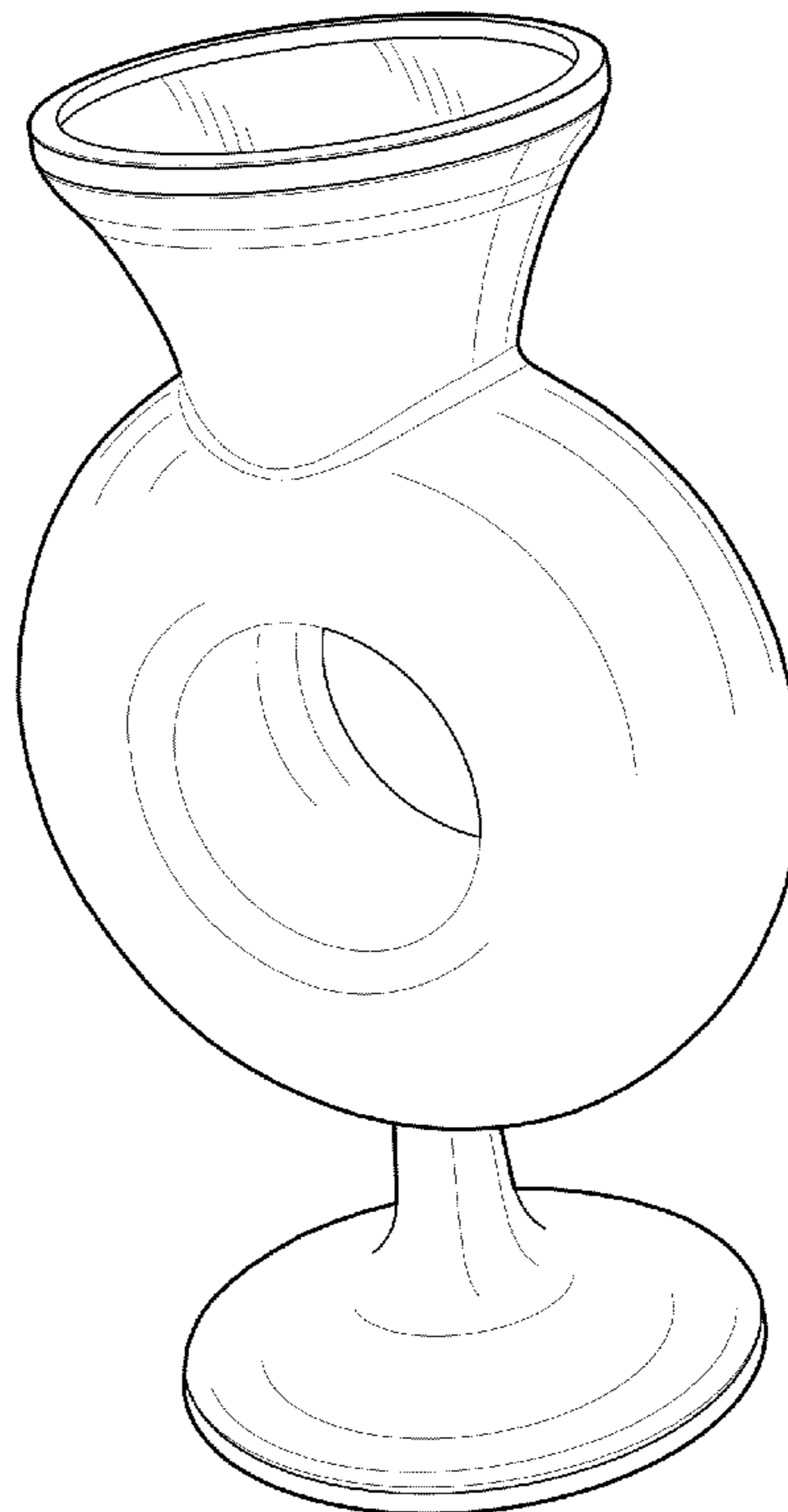
FIG. 5 is a left view of a novelty beverage container.

FIG. 6 is a top view of a novelty beverage container; and,

FIG. 7 is a bottom view of a novelty beverage container.

The broken lines in the drawings are for illustrative purposes only and form no part of the claimed design.

**1 Claim, 4 Drawing Sheets**



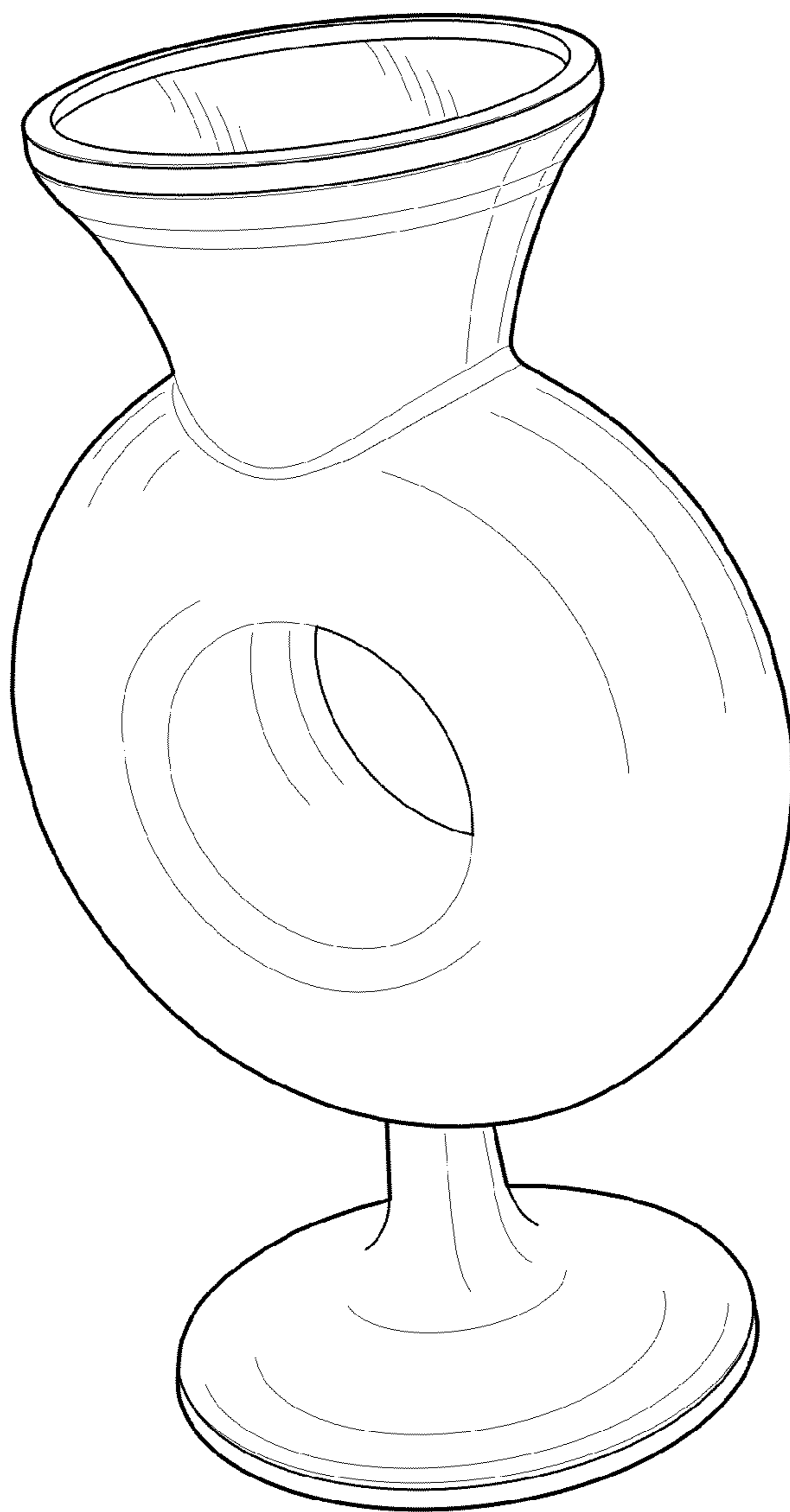


FIG. 1

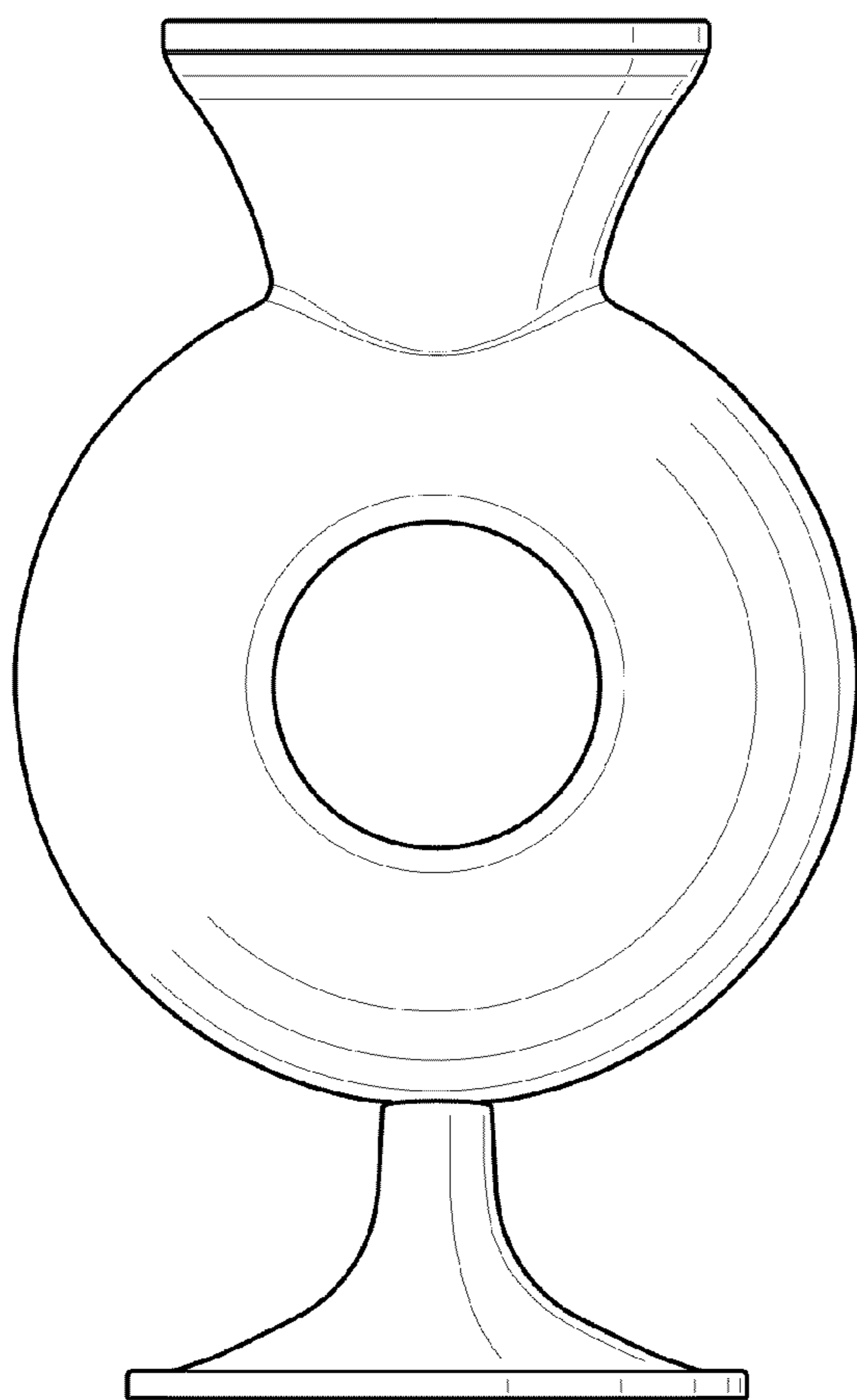


FIG. 2

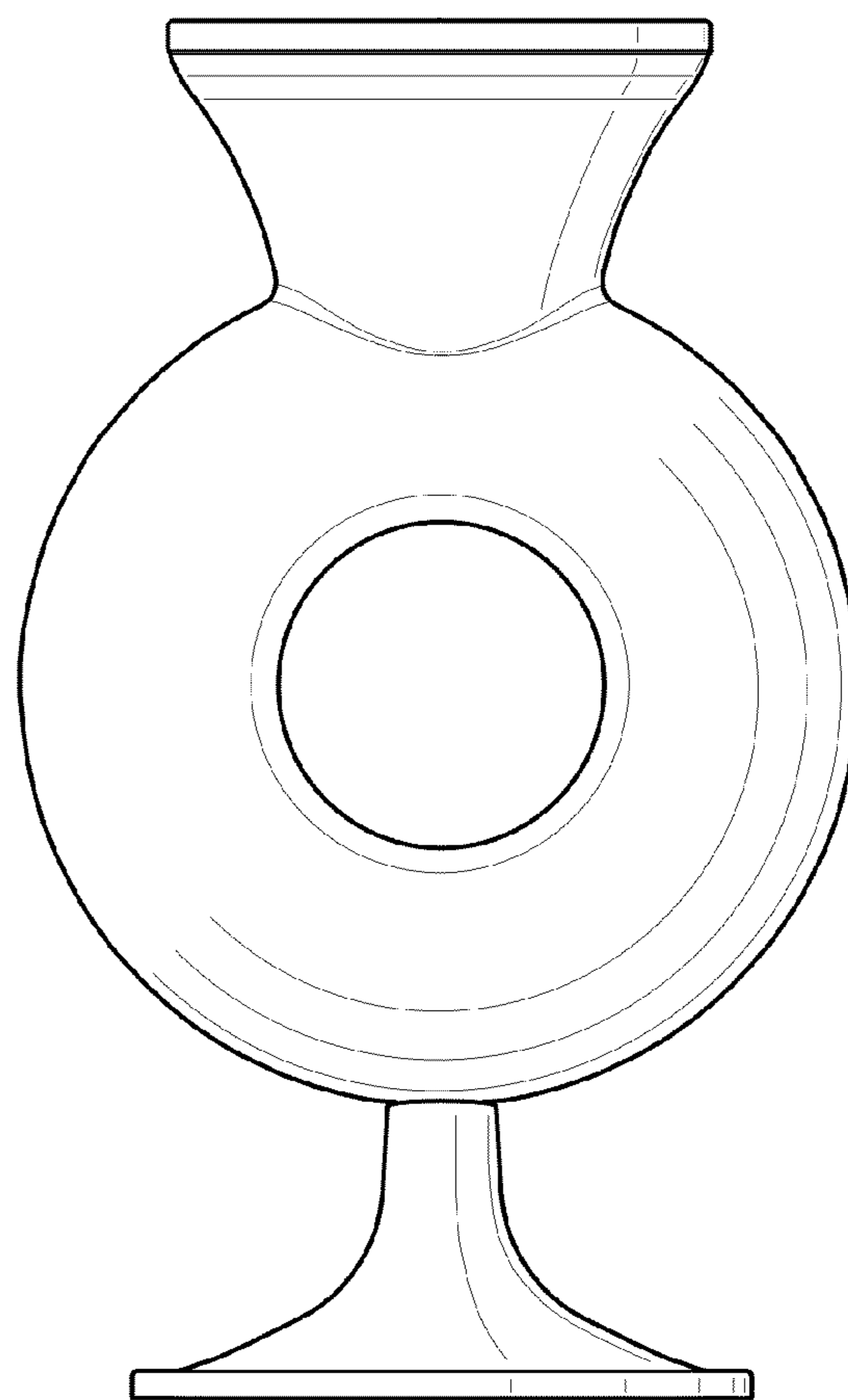


FIG. 3

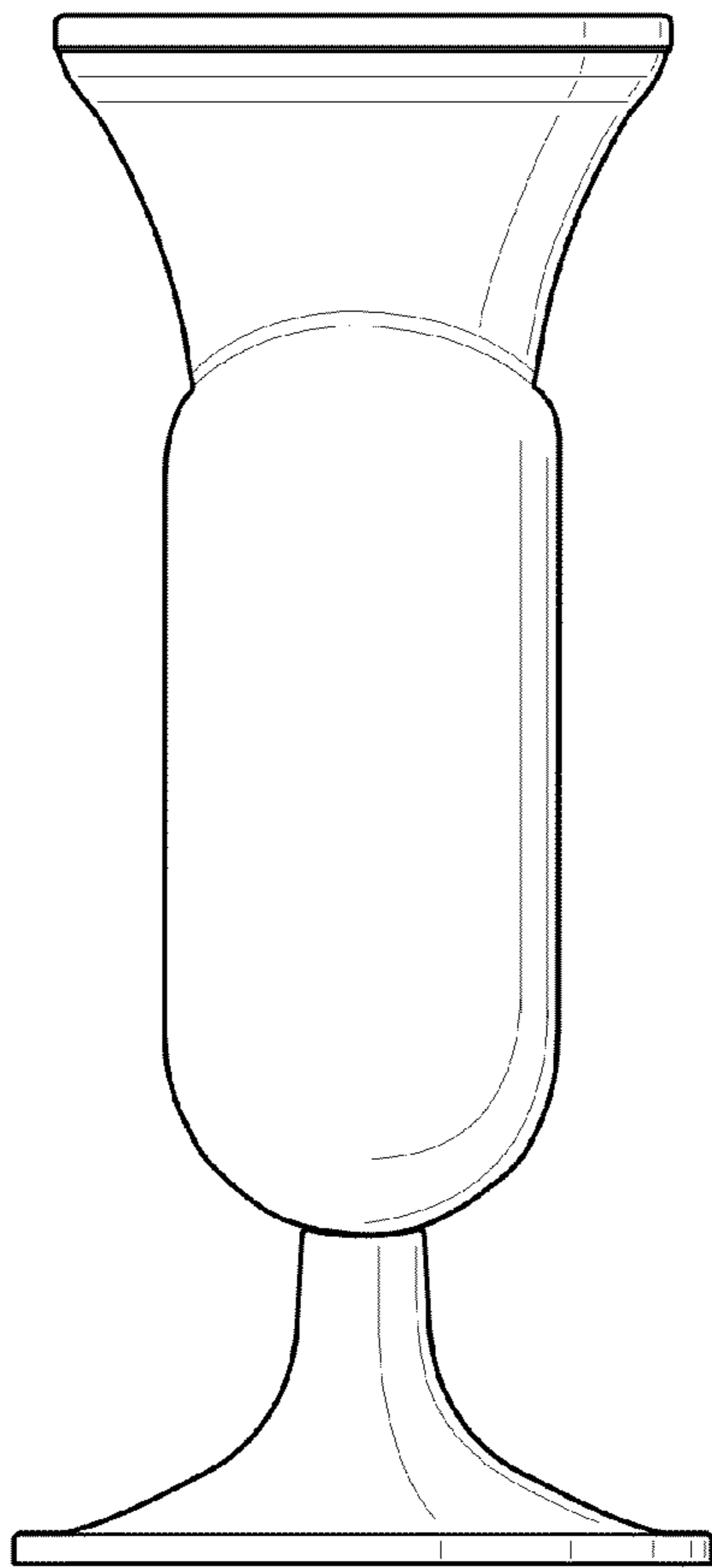


FIG. 4

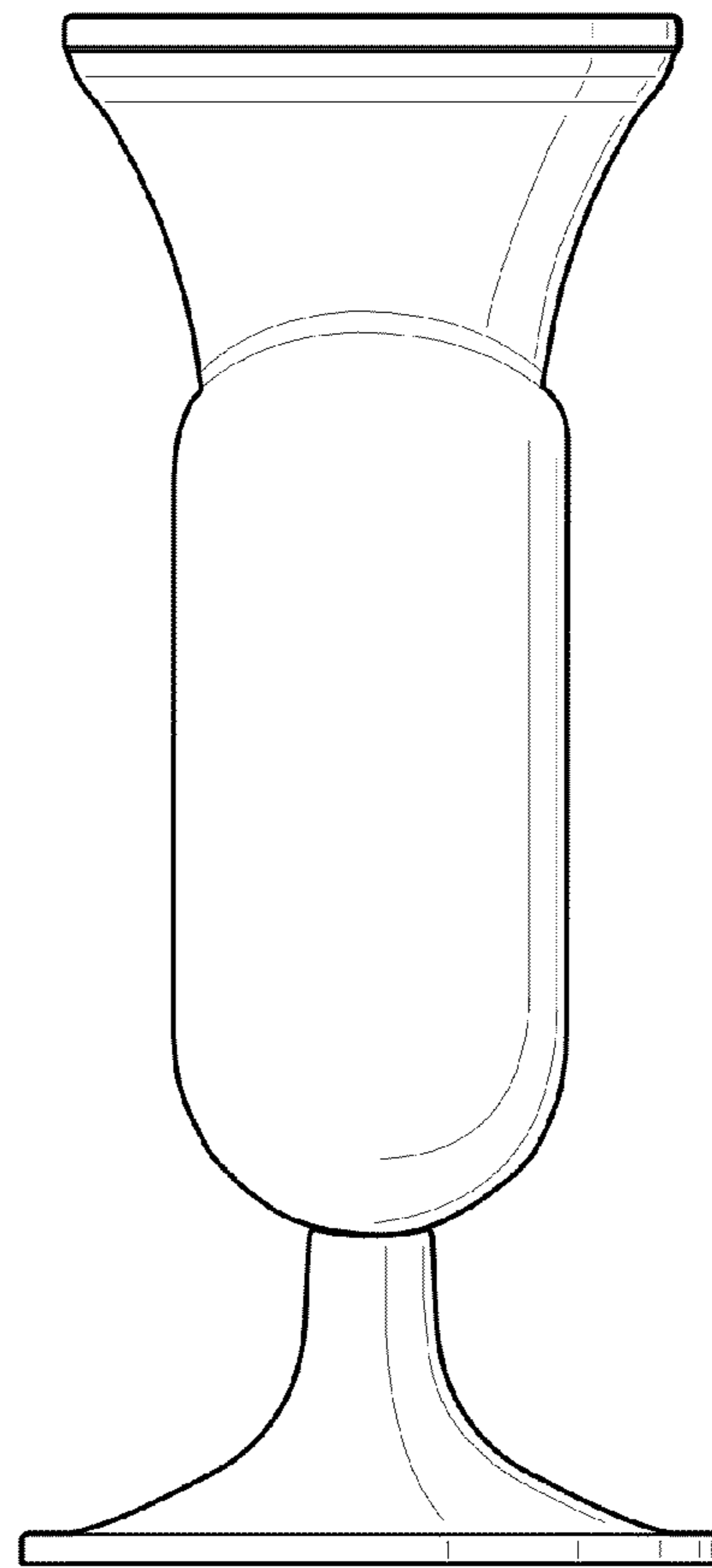


FIG. 5

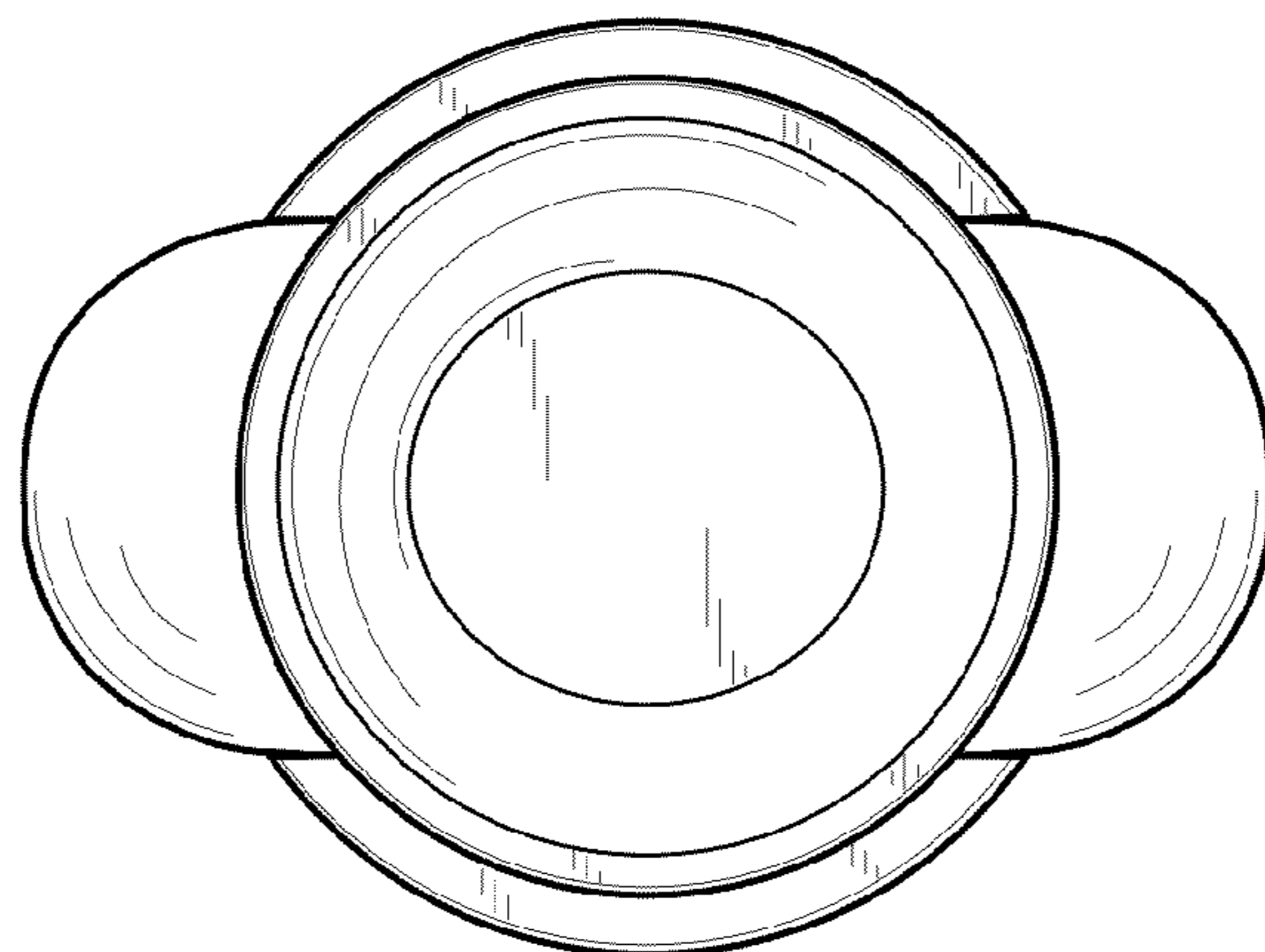


FIG. 6

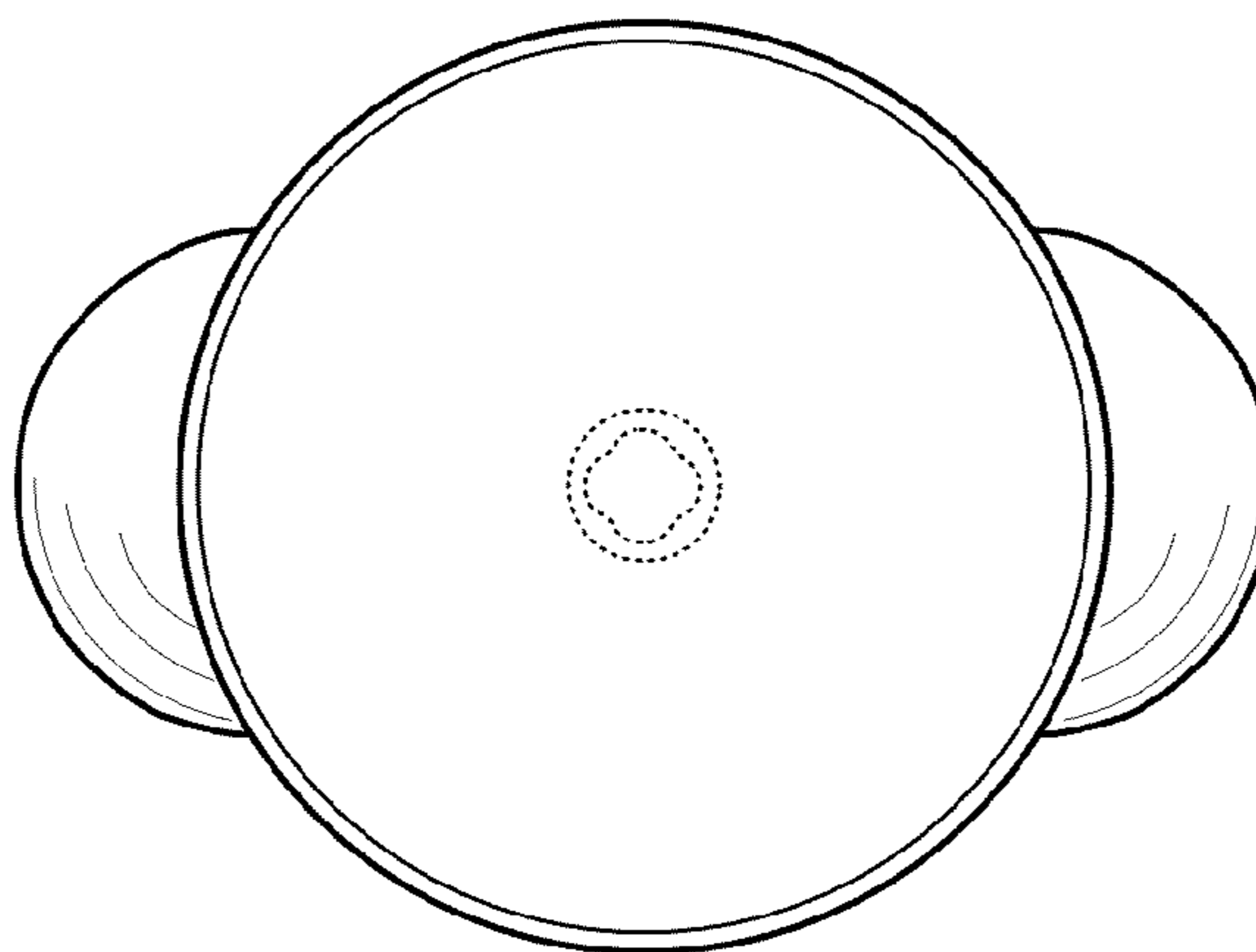


FIG. 7