



US00D716100S

(12) **United States Design Patent**
Montet et al.

(10) **Patent No.:** **US D716,100 S**
(45) **Date of Patent:** **** Oct. 28, 2014**

(54) **MARTINI GLASS**

(71) Applicants: **Daniel James Montet**, Youngsville, LA (US); **Jesse G. Regan**, Broussard, LA (US); **Marcus A. Montet**, Youngsville, LA (US)

(72) Inventors: **Daniel James Montet**, Youngsville, LA (US); **Jesse G. Regan**, Broussard, LA (US); **Marcus A. Montet**, Youngsville, LA (US)

(**) Term: **14 Years**

(21) Appl. No.: **29/476,740**

(22) Filed: **Dec. 16, 2013**

(51) **LOC (10) Cl.** **07-01**

(52) **U.S. Cl.**

USPC **D7/525**; D7/523; D7/529

(58) **Field of Classification Search**

USPC D7/524, 537, 528, 526, 523, 530, 531, D7/396.2, 396.1, 509, 529, 525; D9/500; 220/501, 703; 215/6, 10, 374, 377, 215/372; D11/152, 154; D26/22

See application file for complete search history.

(56) **References Cited**

U.S. PATENT DOCUMENTS

D200,673 S * 3/1965 Warden D9/436

D285,032 S * 8/1986 Alonzo D7/523
D406,986 S * 3/1999 Lewis D7/558
D471,404 S * 3/2003 Gady D7/523
D506,355 S * 6/2005 Donnellan et al. D7/524
D563,724 S * 3/2008 Bodum D7/524
D601,278 S * 9/2009 Takahashi D26/2
D616,120 S * 5/2010 Wada et al. D26/2
D688,395 S * 8/2013 Bukkems et al. D26/2
D702,372 S * 4/2014 Bukkems et al. D26/2

* cited by examiner

Primary Examiner — Marianne Pandozzi

(74) *Attorney, Agent, or Firm* — QuickPatents; Kevin Prince

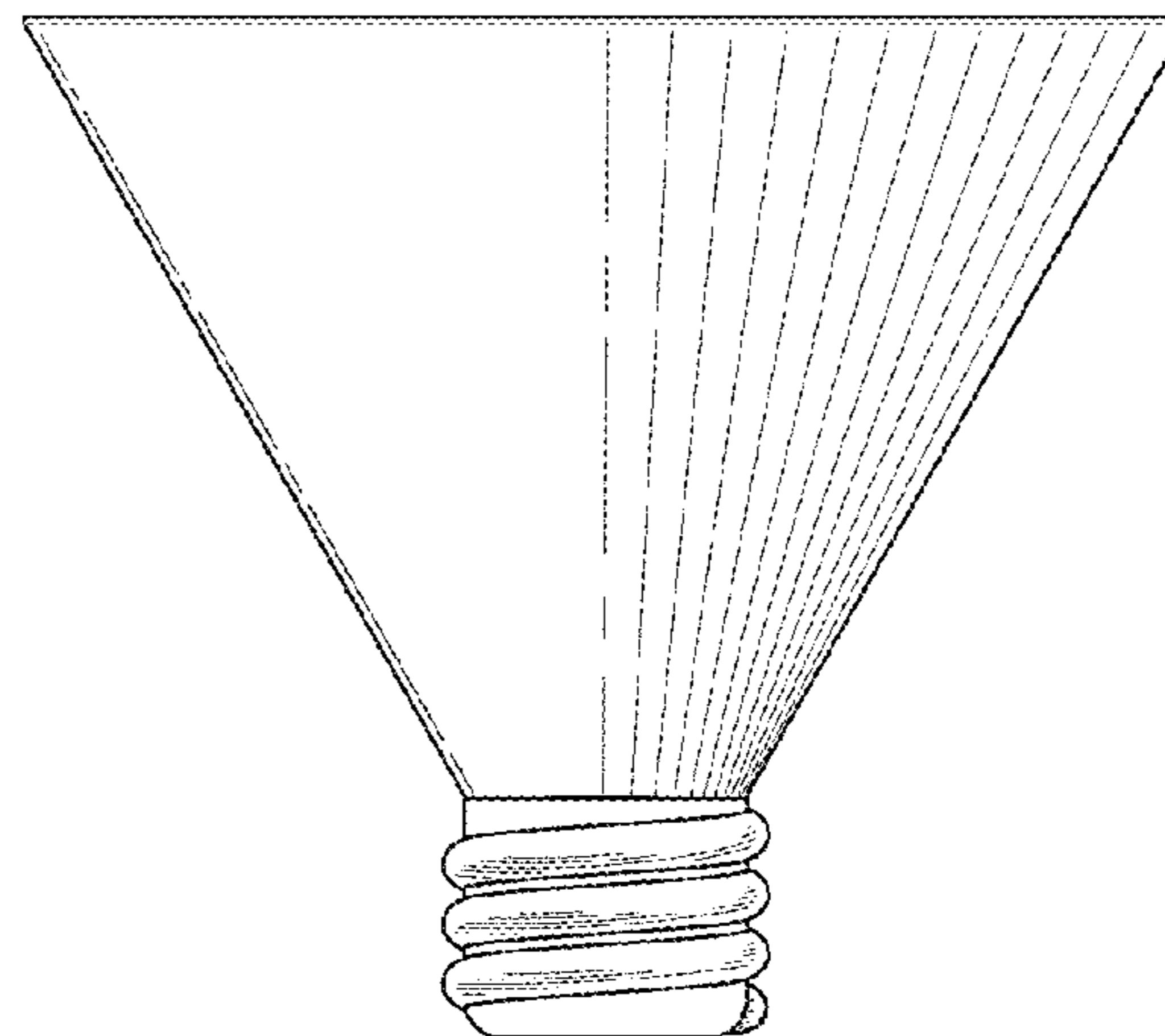
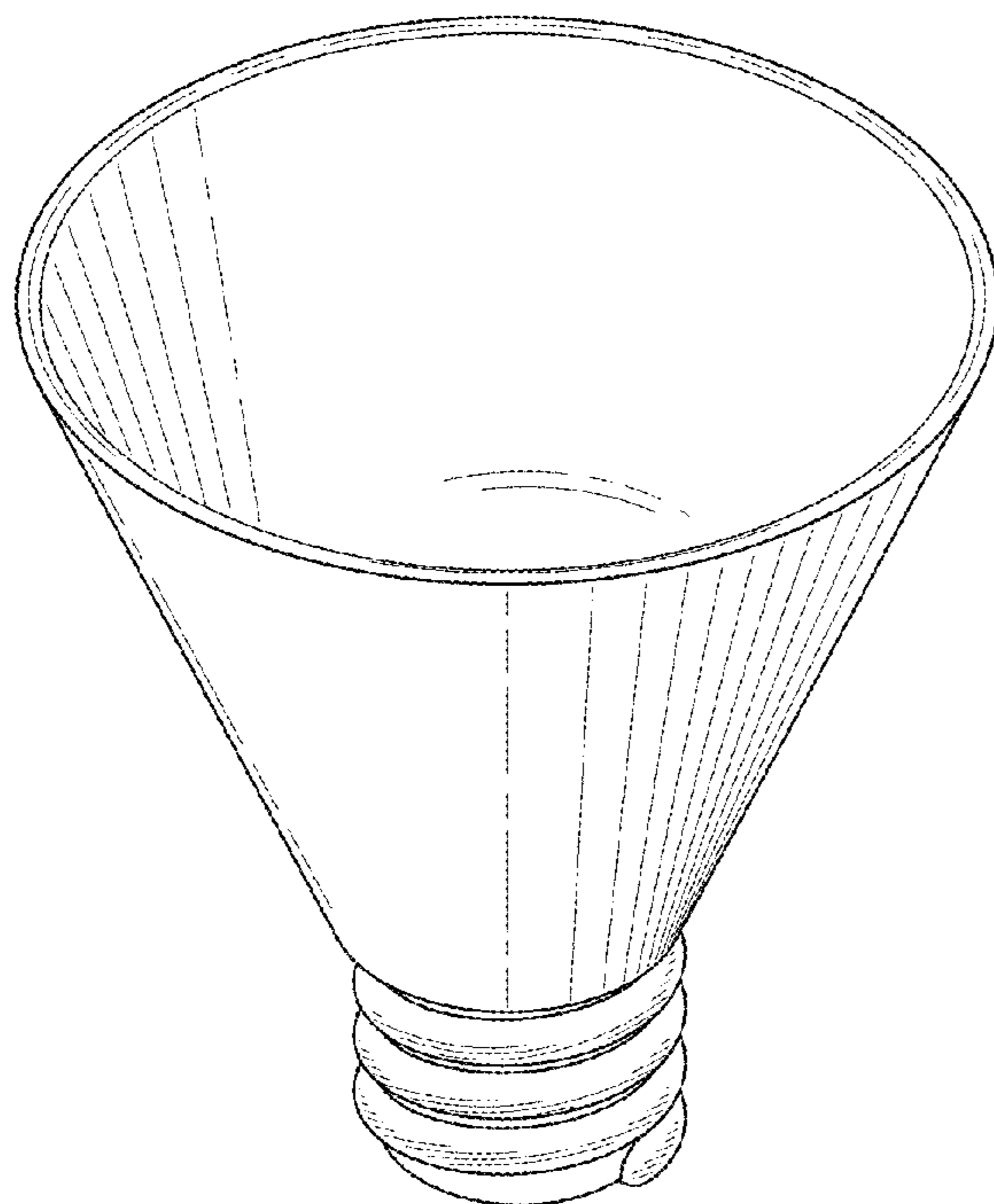
(57) **CLAIM**

We claim the ornamental design for a martini glass, as shown and described.

DESCRIPTION

FIG. 1 is a perspective view of a martini glass, showing our new design;
FIG. 2 is a front elevational view thereof;
FIG. 3 is a right-side elevational view thereof;
FIG. 4 is a rear elevational view thereof;
FIG. 5 is a left-side elevational view thereof;
FIG. 6 is a top plan view thereof; and,
FIG. 7 is a bottom plan view thereof.

1 Claim, 2 Drawing Sheets



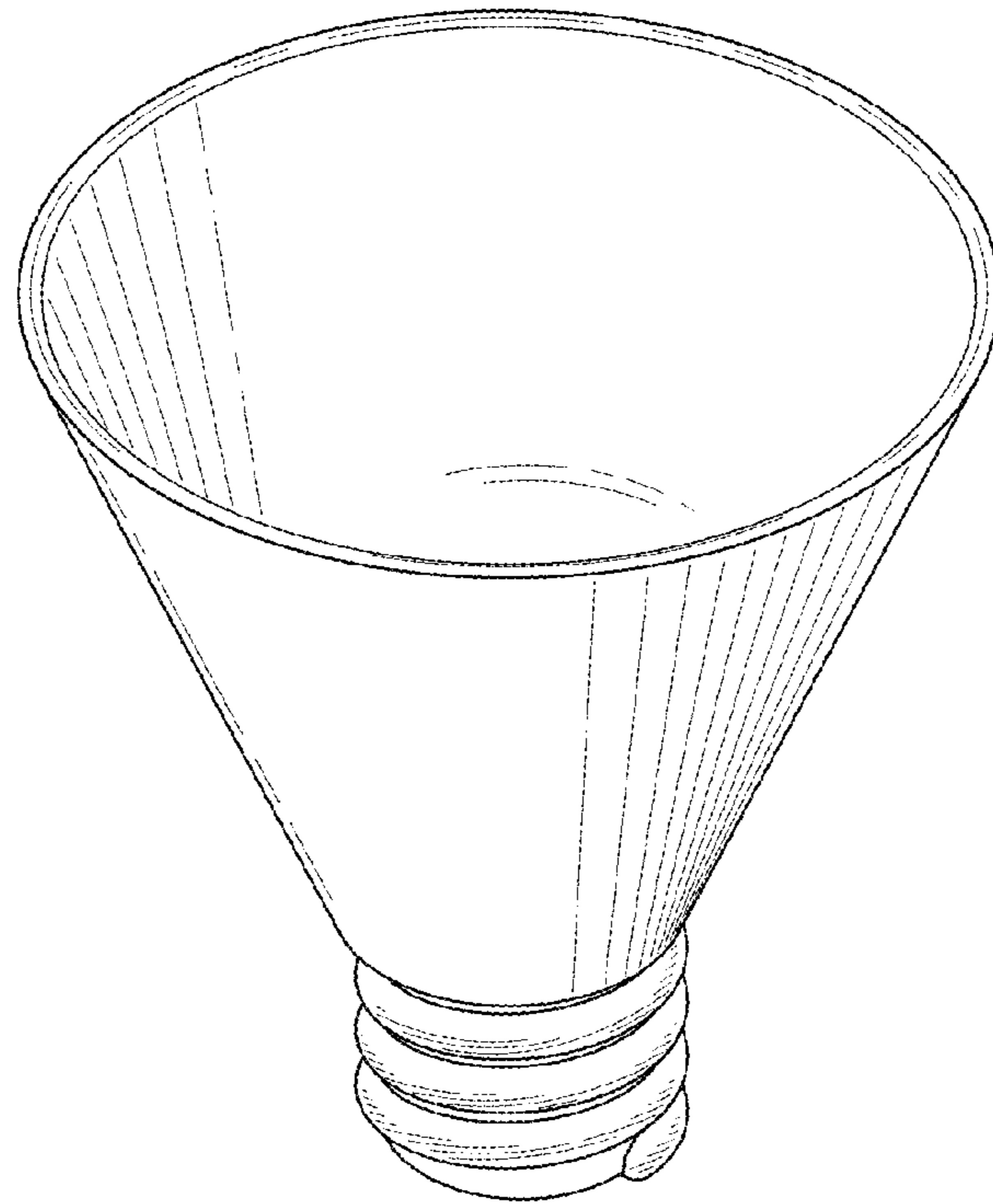


FIG. 1

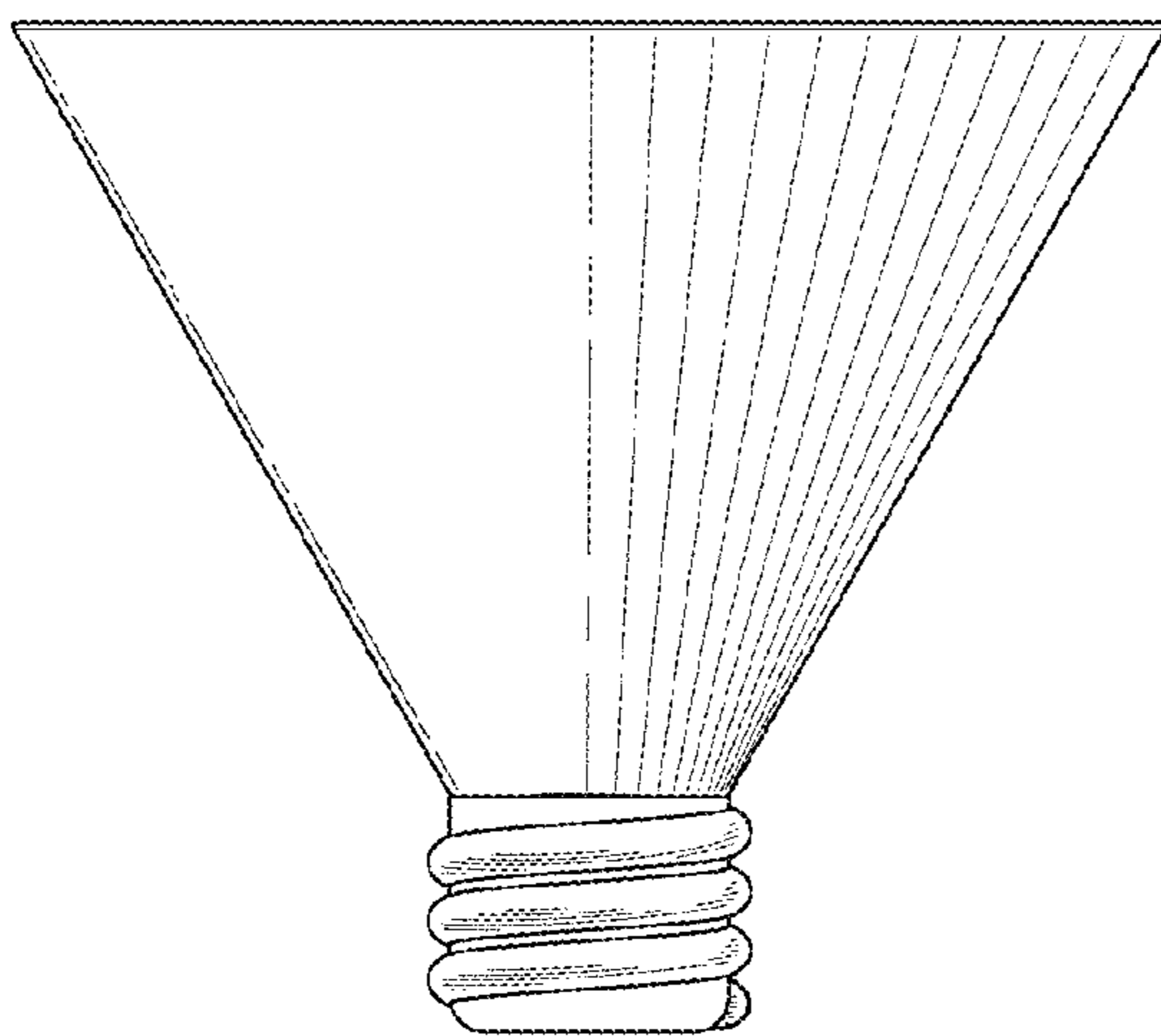


FIG. 2

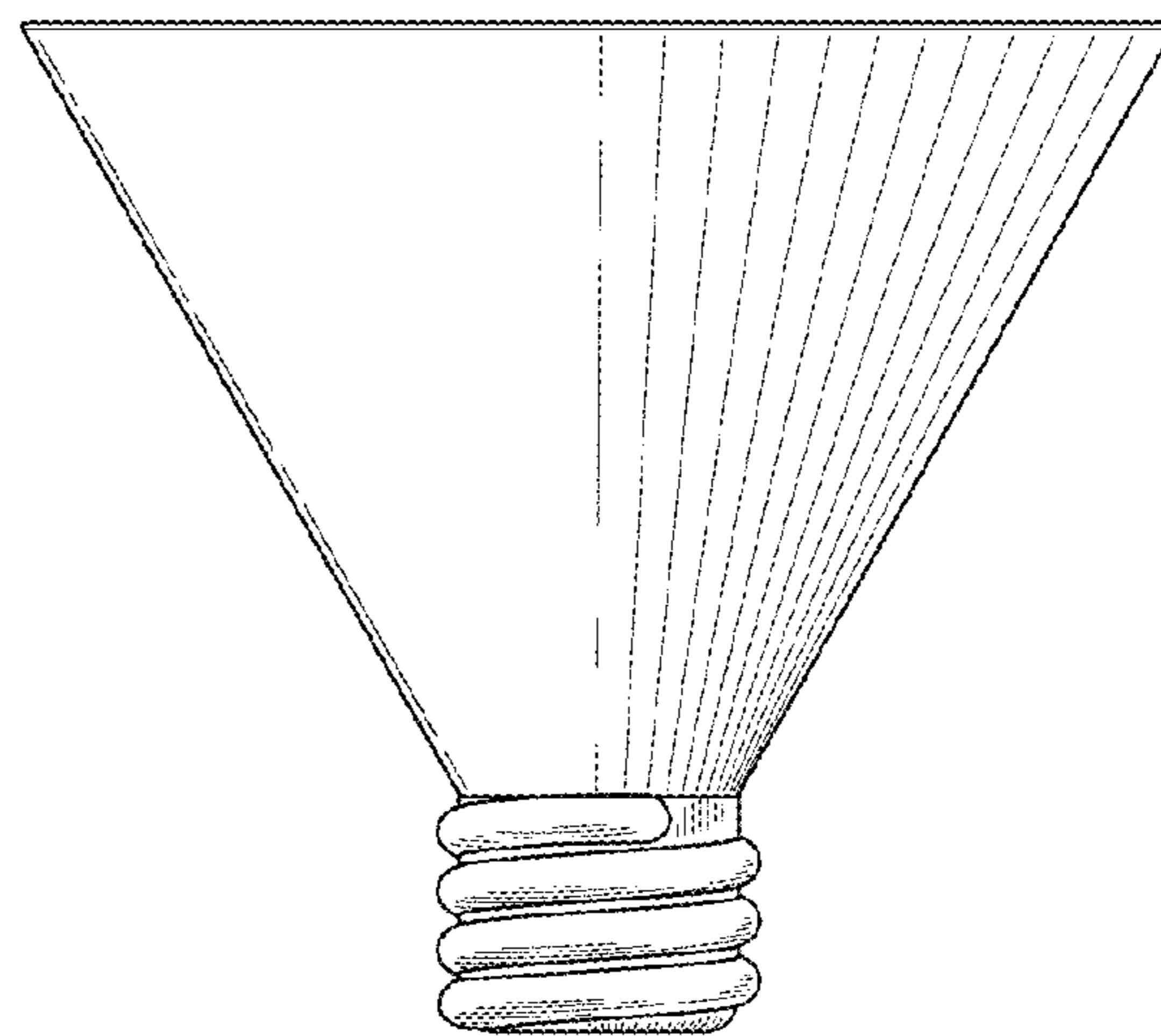


FIG. 3

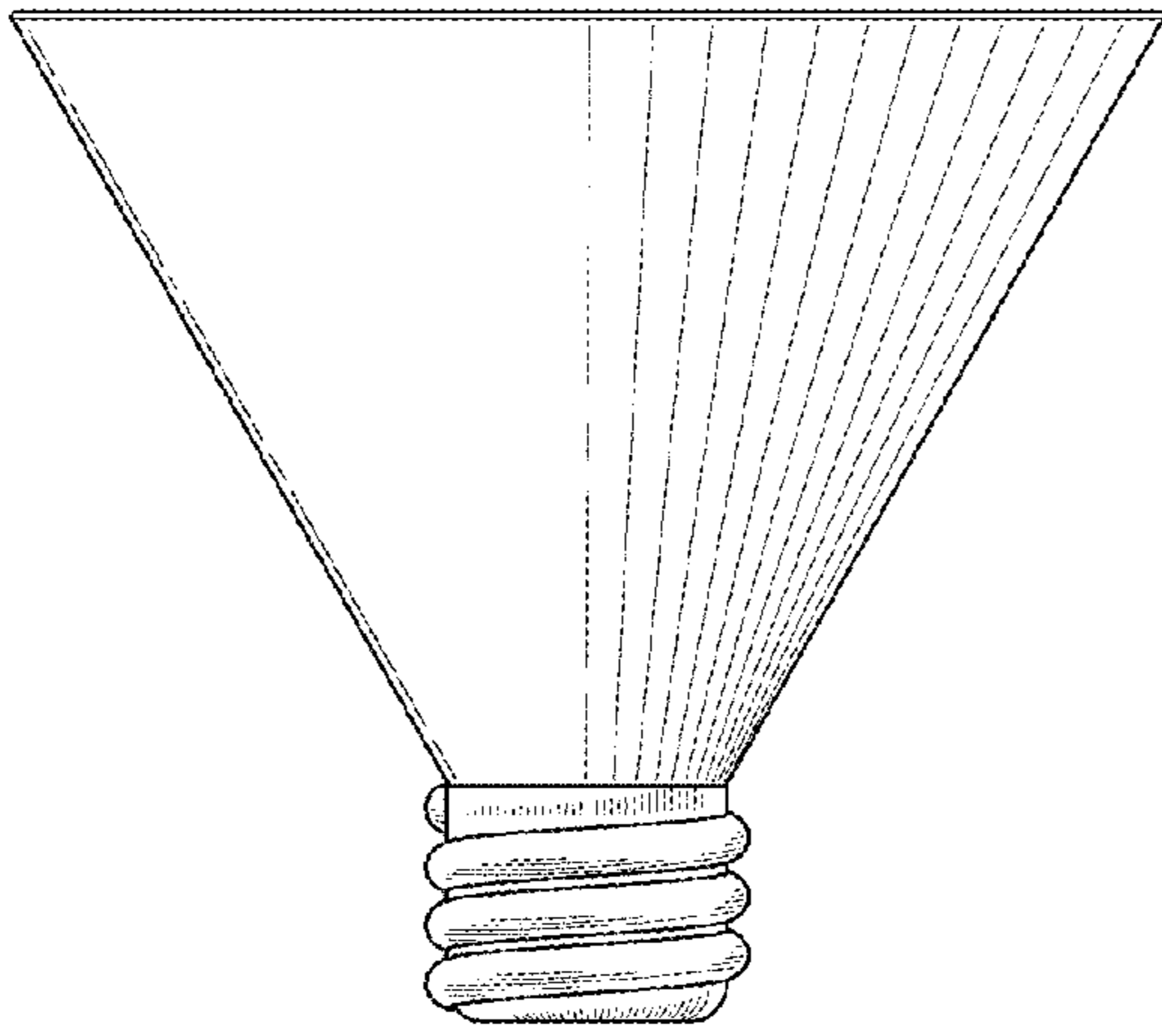


FIG. 4

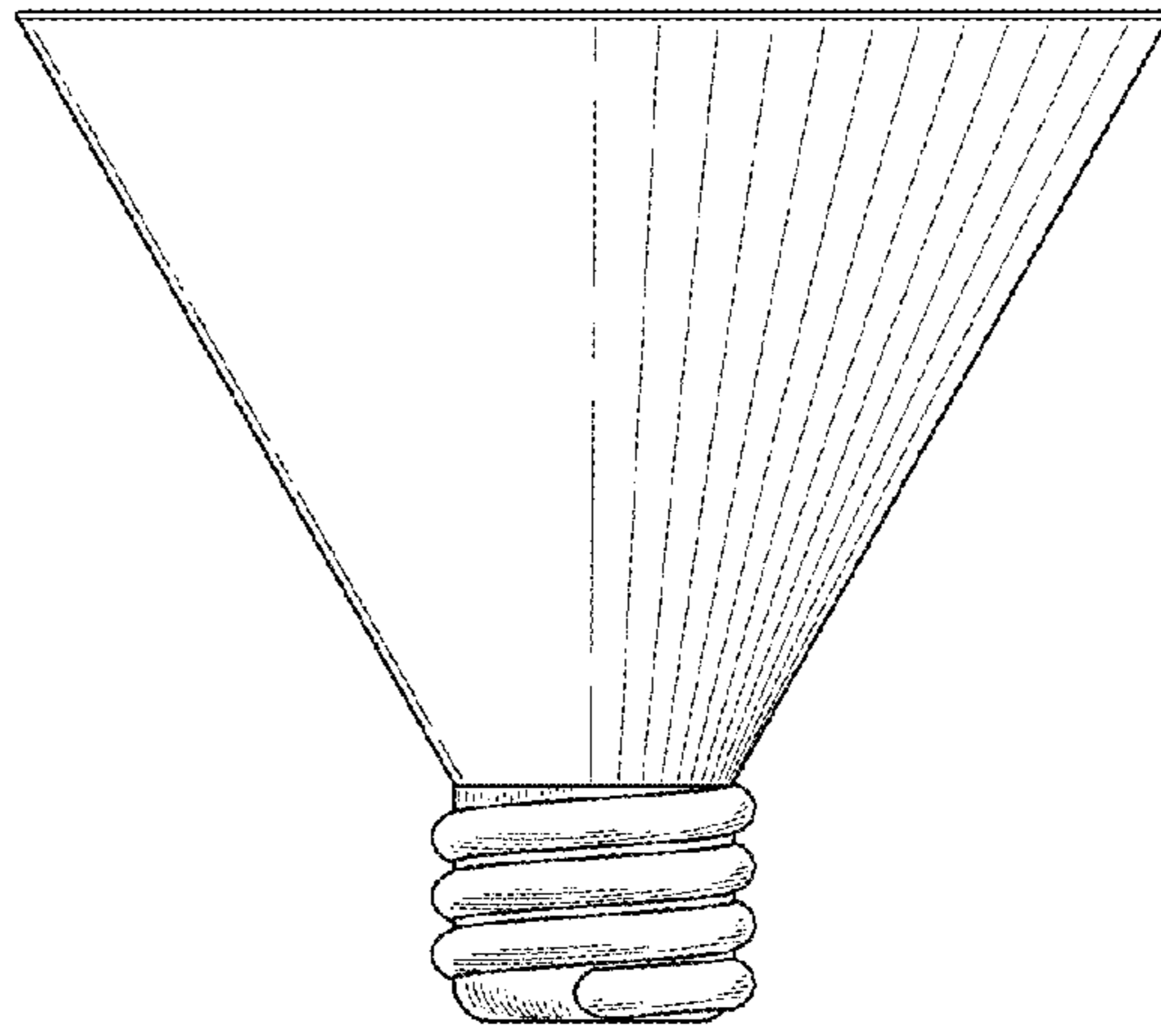


FIG. 5

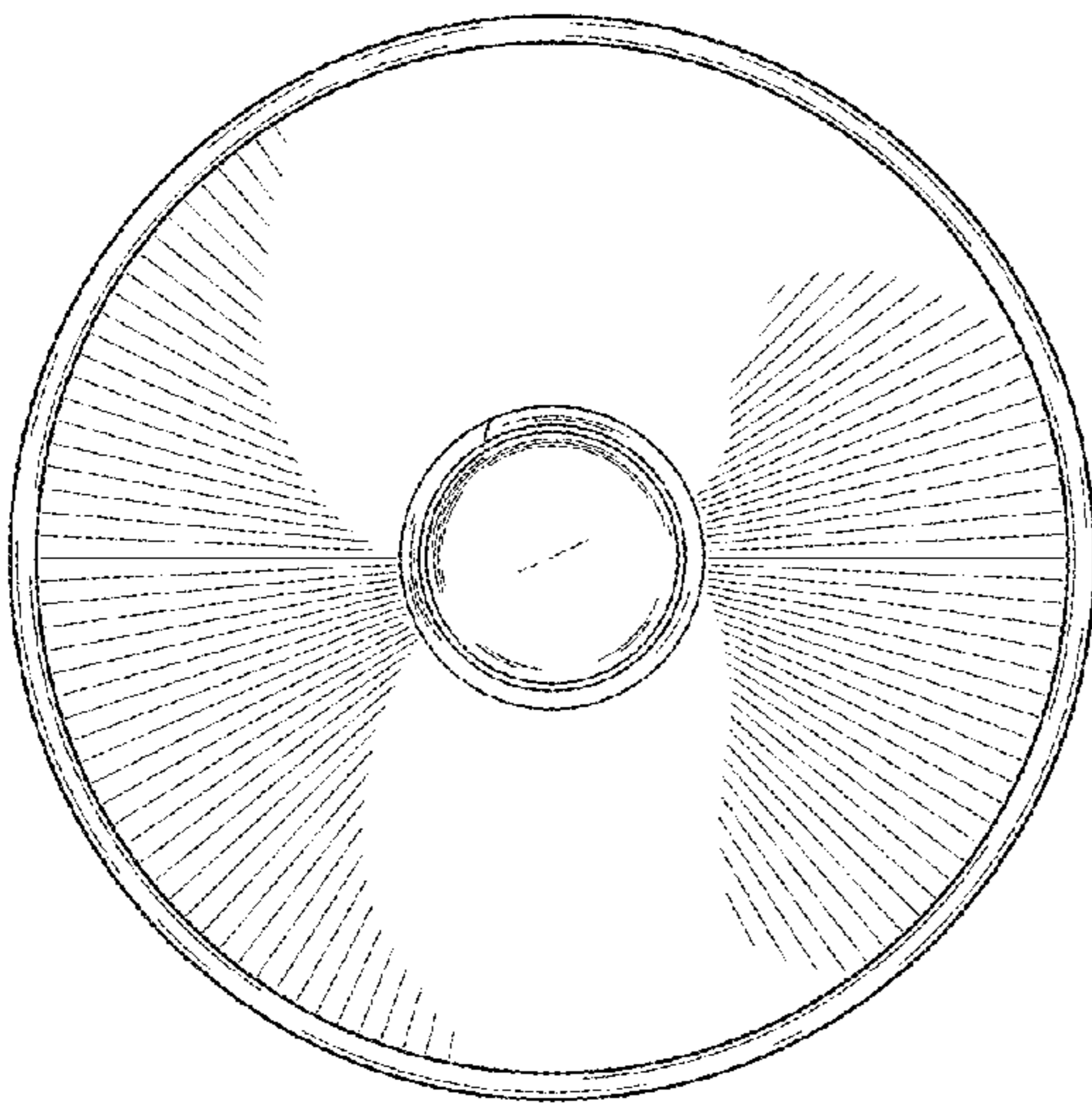


FIG. 6

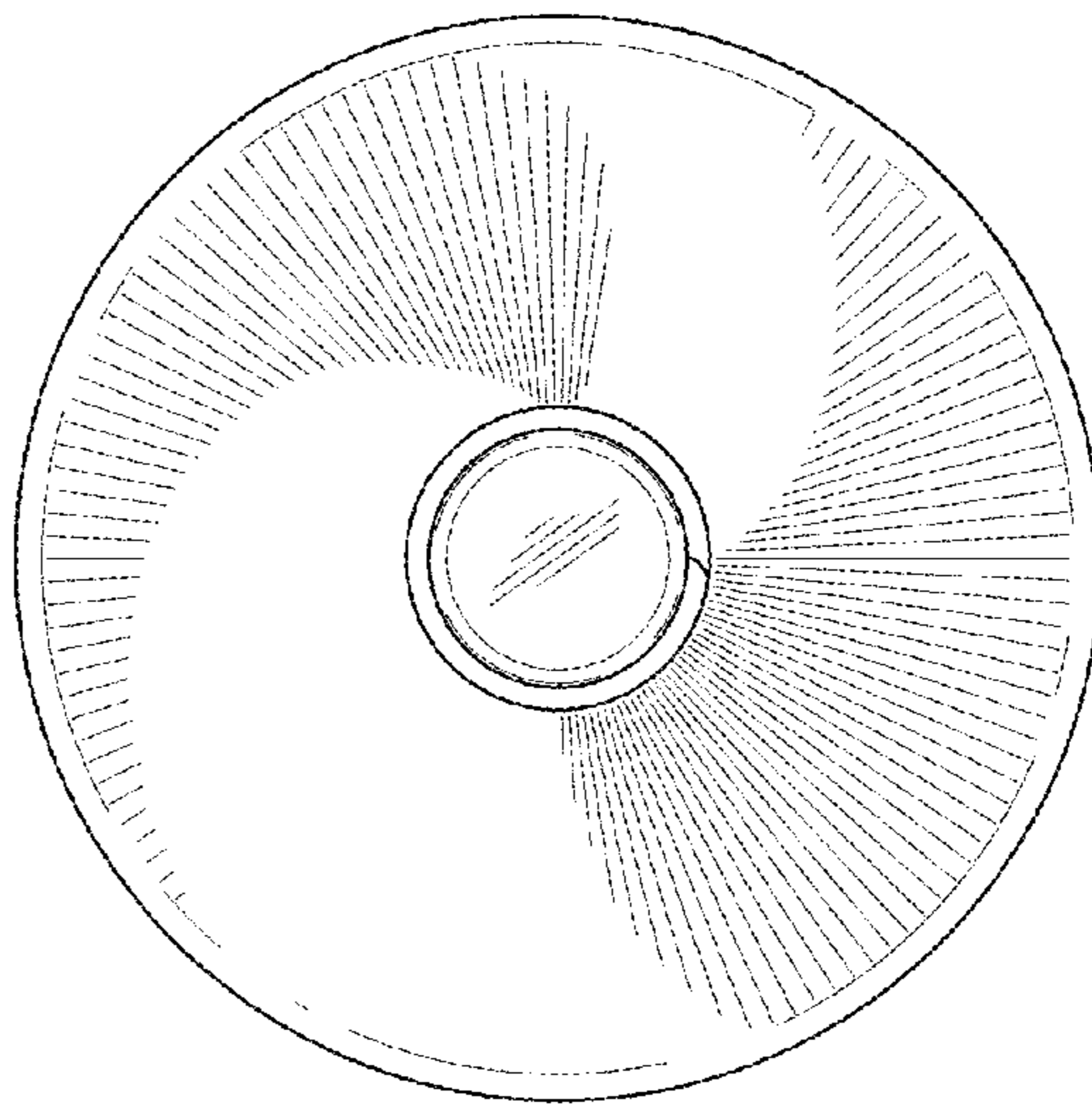


FIG. 7