



US00D716099S

(12) **United States Design Patent**
Farber et al.

(10) **Patent No.:** **US D716,099 S**
(45) **Date of Patent:** **** Oct. 28, 2014**

- (54) **BEVERAGE CONTAINER**
- (71) Applicants: **Donna S. Farber**, Toronto (CA); **Mark C. Segal**, Toronto (CA); **Darryl Michael Farber**, Don Mills (CA); **Michael Basara**, Bangkok (TH)
- (72) Inventors: **Donna S. Farber**, Toronto (CA); **Mark C. Segal**, Toronto (CA); **Darryl Michael Farber**, Don Mills (CA); **Michael Basara**, Bangkok (TH)

D364,089	S	*	11/1995	Robbins, III	D9/428
D366,597	S	*	1/1996	Smith et al.	D7/536
D381,259	S	*	7/1997	Hayes	D9/504
6,045,254	A		4/2000	Inbar et al.		
D474,651	S	*	5/2003	Ward	D7/615
6,575,208	B2		6/2003	Sharon et al.		
D579,722	S	*	11/2008	Sakulsacha et al.	D7/510
D625,192	S	*	10/2010	Kooser et al.	D9/504
8,028,847	B2		10/2011	Klaver et al.		
D651,050	S	*	12/2011	Goshi	D7/608
D660,084	S	*	5/2012	Gilbert	D7/538
2010/0163439	A1		7/2010	Gutierrez Avendano		

- (73) Assignee: **Bouche Baby Inc.**, Toronto, Ontario (CA)
- (**) Term: **14 Years**

FOREIGN PATENT DOCUMENTS

CA	2680510	A1	4/2011
EP	2491914	A2	8/2012
WO	2012060508	A1	5/2012

- (21) Appl. No.: **29/450,008**
- (22) Filed: **Mar. 15, 2013**
- (51) **LOC (10) Cl.** **07-01**
- (52) **U.S. Cl.**
USPC **D7/523**; D7/510; D9/504
- (58) **Field of Classification Search**
USPC D7/510, 511, 512, 523, 507, 531, 524, D7/537, 528, 533, 536, 509, 515, 514; 220/8, 92, 714, 666, 23.83, 719, 713, 220/630, 710.5, 212.5, 717; 215/11.5, 398, 215/378, 6; 206/218, 581; D24/197; D9/503, 504
See application file for complete search history.

OTHER PUBLICATIONS

Print-outs from the Mixie Baby LLC website at <http://mixiebaby.com>, as accessed Mar. 5, 2013.

* cited by examiner

Primary Examiner — Marianne Pandozzi
(74) *Attorney, Agent, or Firm* — Nixon & Vanderhye P.C.

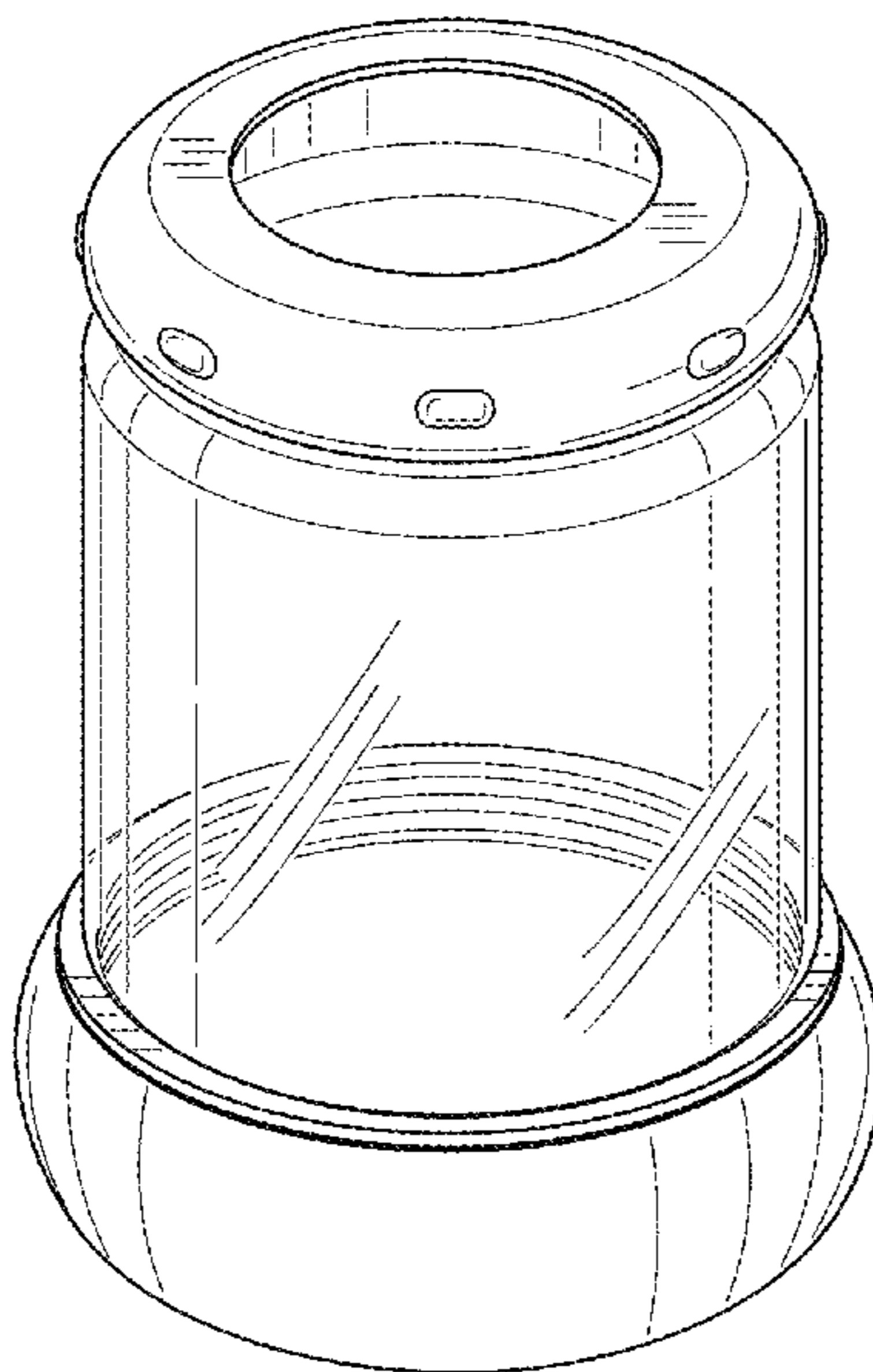
(57) **CLAIM**
The ornamental design for a beverage container, as described and shown.

DESCRIPTION

FIG. 1 is a top perspective view of a beverage container; FIG. 2 is a bottom perspective view thereof; FIG. 3 is a side elevation view thereof; FIG. 4 is a top plan view thereof; FIG. 5 is a bottom plan view thereof; and, FIG. 6 is an exploded top perspective view thereof.

1 Claim, 4 Drawing Sheets

- (56) **References Cited**
U.S. PATENT DOCUMENTS
2,226,146 A * 12/1940 Smith 220/718
D248,373 S * 7/1978 Allen D9/503
D335,428 S * 5/1993 Picozza et al. D7/612
D347,359 S * 5/1994 Robbins, III D7/512
5,433,328 A 7/1995 Baron et al.



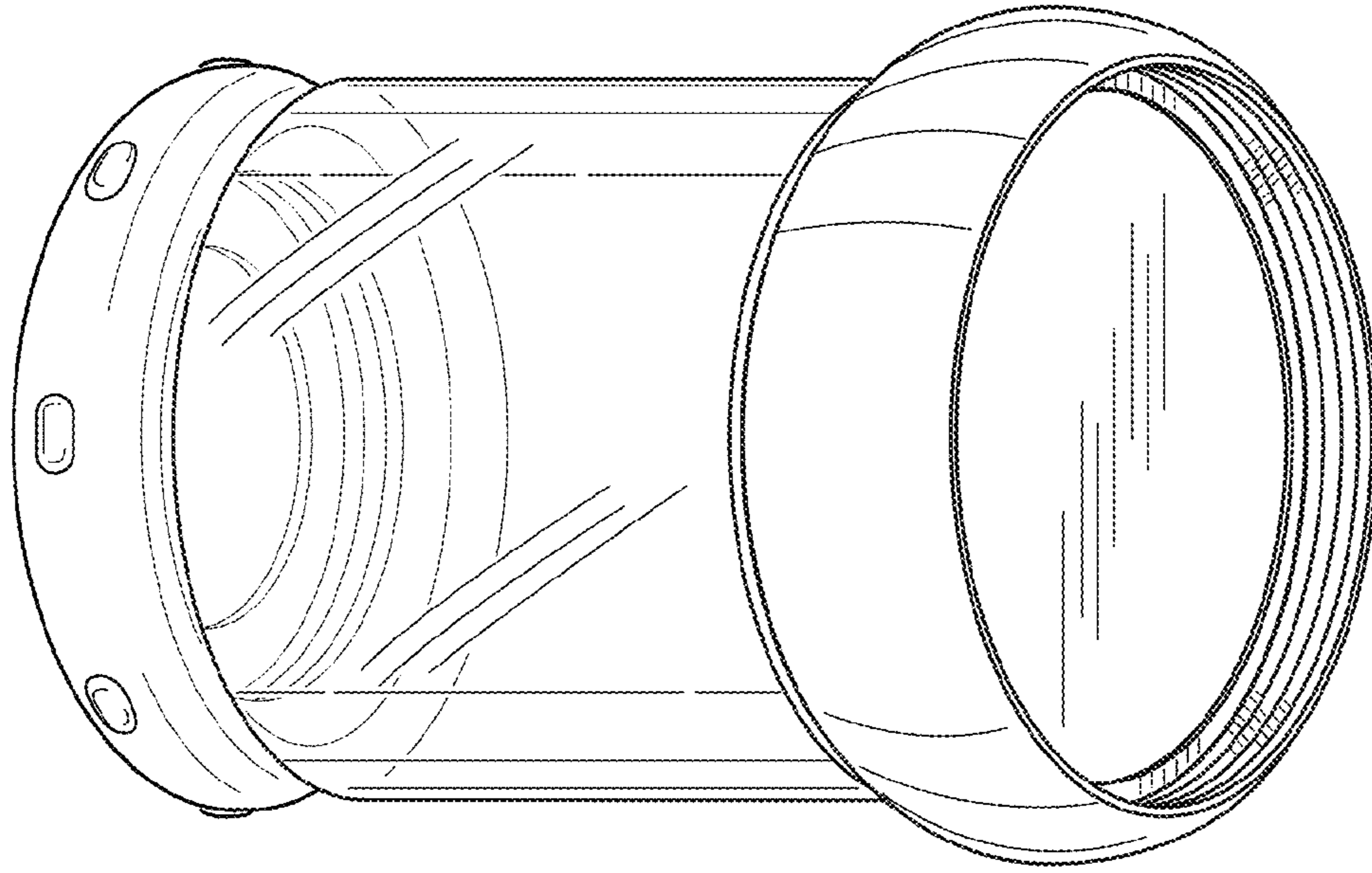


FIG. 2

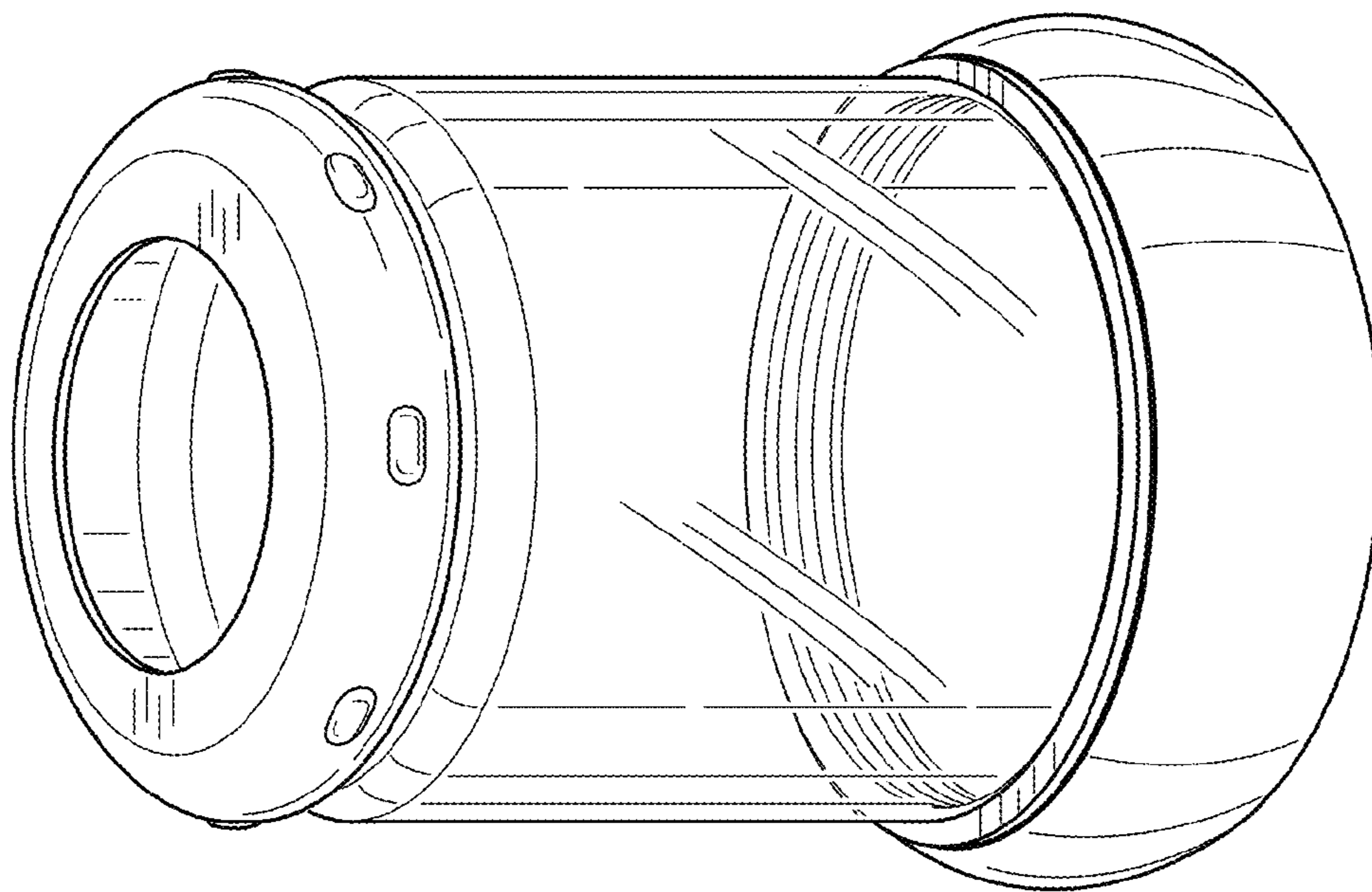


FIG. 1

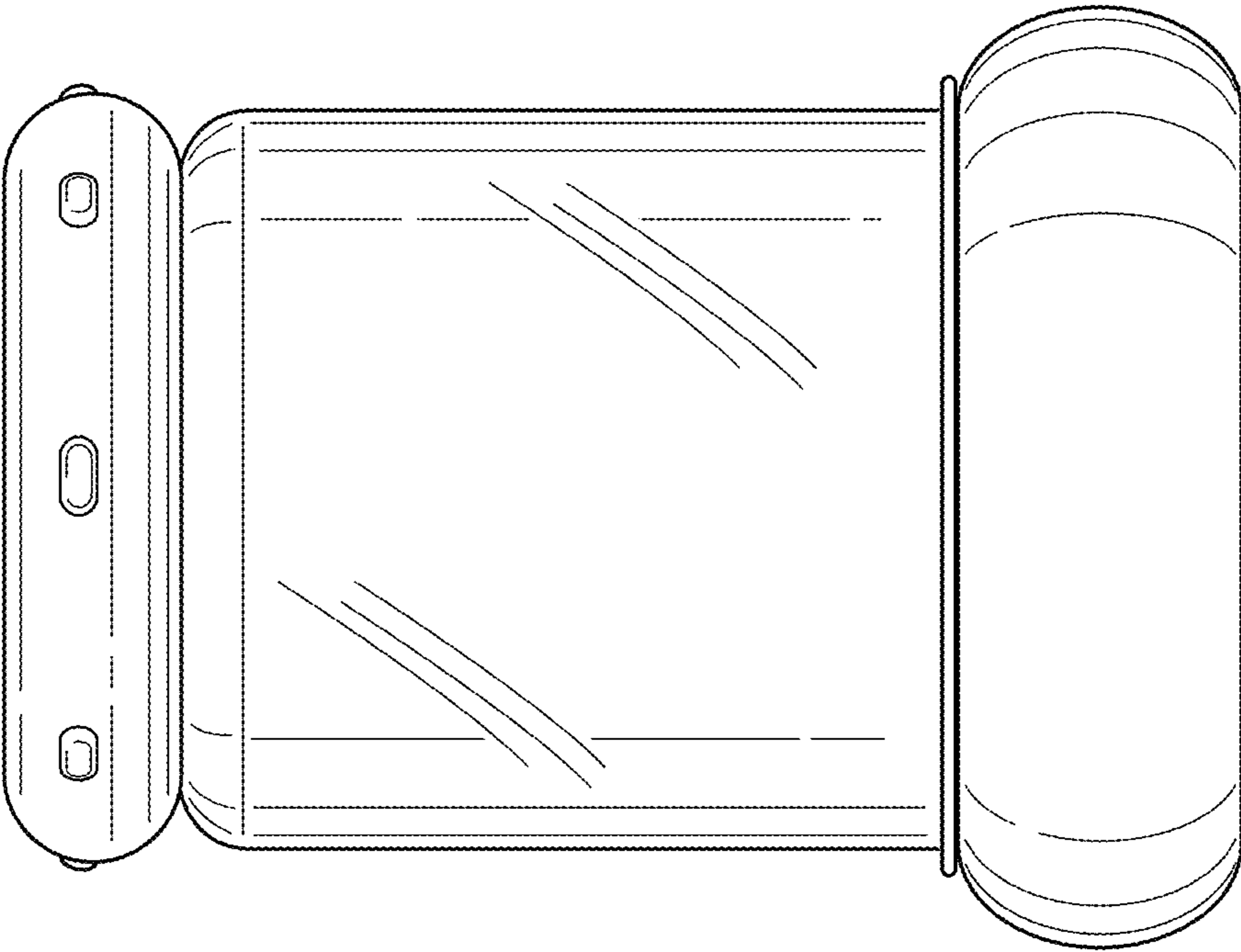


FIG. 3

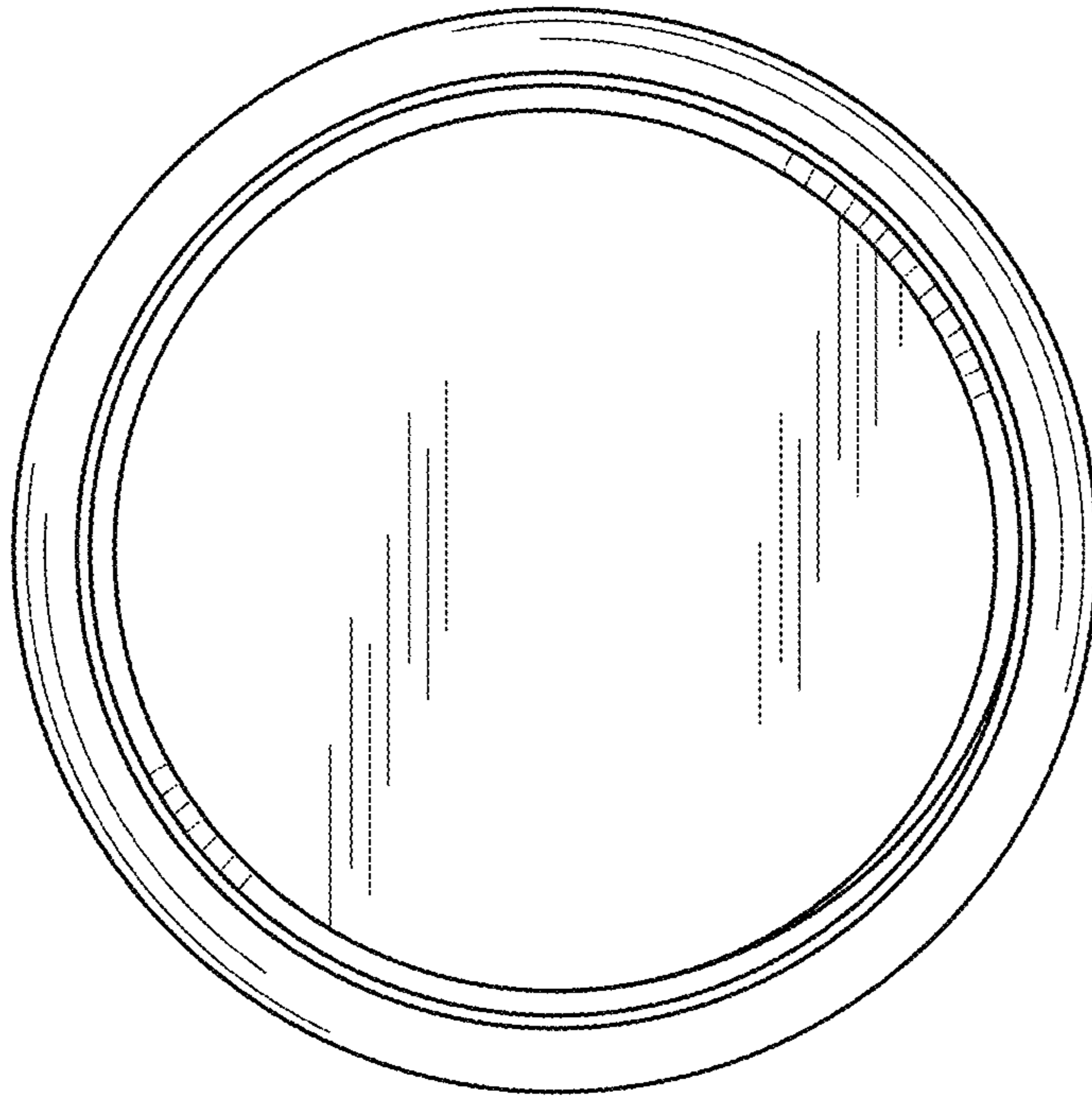


FIG. 5

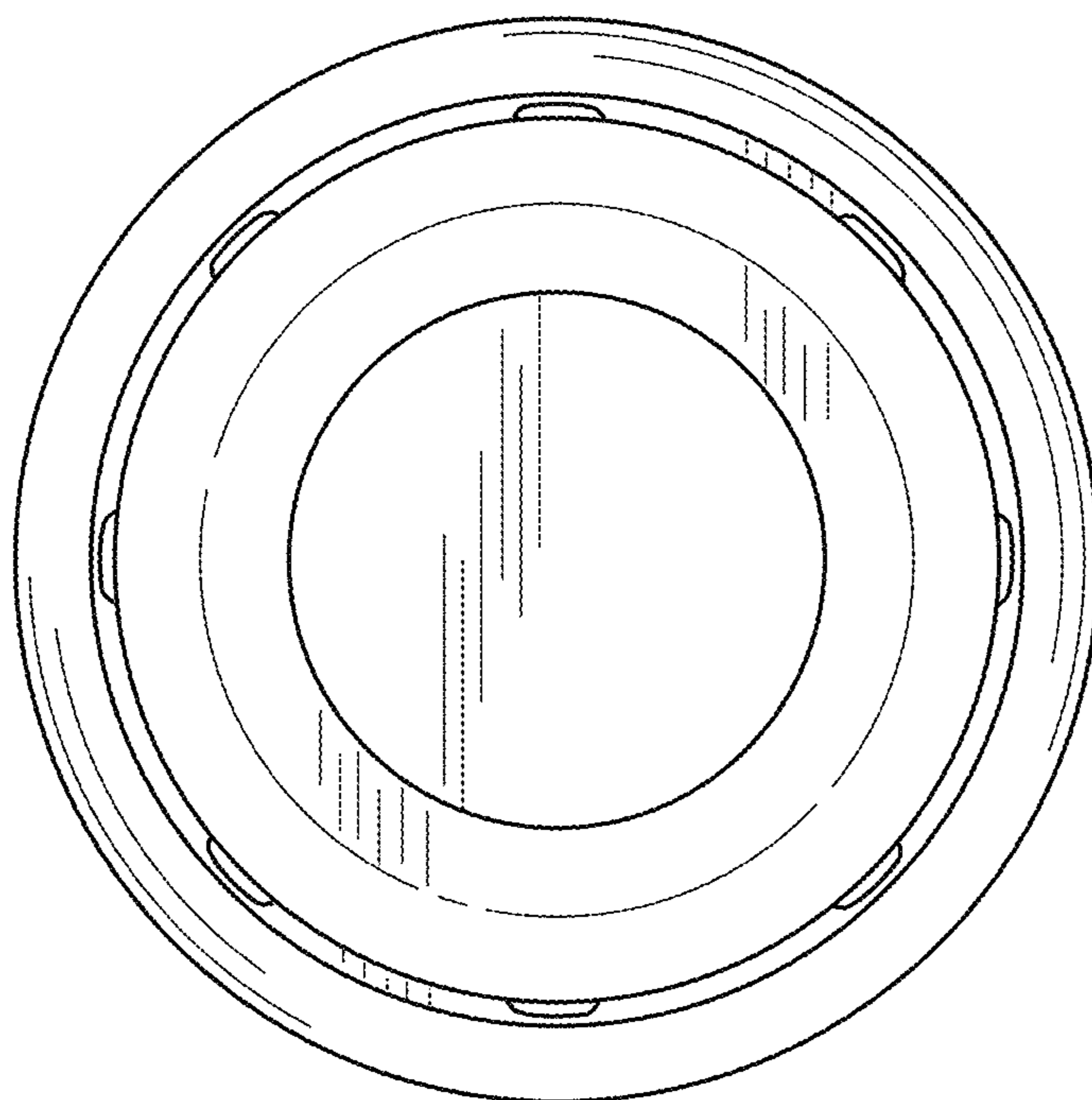


FIG. 4

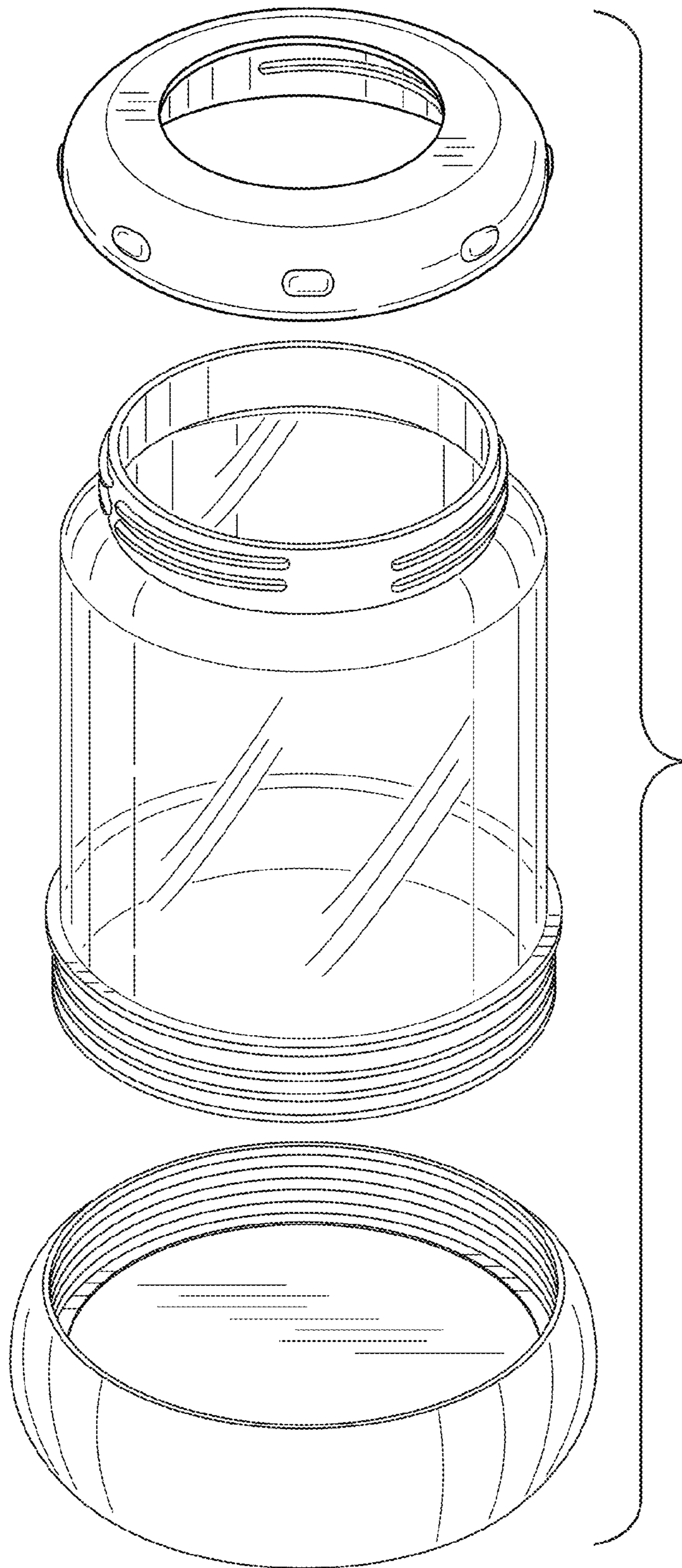


FIG. 6