



US00D716098S

(12) **United States Design Patent**
Furuta et al.

(10) **Patent No.:** **US D716,098 S**
(45) **Date of Patent:** **** Oct. 28, 2014**

- (54) **SUSCEPTOR WITH HEATER**
- (71) Applicant: **Applied Materials, Inc.**, Santa Clara, CA (US)
- (72) Inventors: **Gaku Furuta**, Sunnyvale, CA (US);
John M. White, Hayward, CA (US);
Robin L. Tiner, Santa Cruz, CA (US);
Suhail Anwar, Saratoga, CA (US); **Soo Young Choi**, Fremont, CA (US);
Shinichi Kurita, San Jose, CA (US)
- (73) Assignee: **Applied Materials, Inc.**, Santa Clara, CA (US)
- (**) Term: **14 Years**
- (21) Appl. No.: **29/494,693**
- (22) Filed: **Jun. 23, 2014**
- (51) **LOC (10) Cl.** **07-02**
- (52) **U.S. Cl.**
USPC **D7/409**
- (58) **Field of Classification Search**
USPC D7/323, 346, 354-361, 388, 408-409,
D7/543, 545, 549, 550.1, 553.1-553.8,
D7/554.1-554.4, 555, 584, 586;
D9/430-433, 455-456, 715, 737,
D9/756-762; D25/199; 99/324, 340, 422,
99/425-426, 432, DIG. 15; 118/728;
126/93, 263.01; 219/450.1, 620-622,
219/725, 734; 220/500, 506-507,
220/573.1-573.5, 574-575, 607-608,
220/752-753, 912; 229/903-904, 906;
431/328
See application file for complete search history.

D489,933	S	*	5/2004	Rummel et al.	D7/346
D554,945	S	*	11/2007	Chung	D7/409
D564,838	S	*	3/2008	Shin et al.	D7/408
D651,043	S	*	12/2011	Sarnoff et al.	D7/409
8,466,396	B2	*	6/2013	Carl et al.	219/734
8,490,615	B2	*	7/2013	Cudnohoske et al.	126/93
D701,329	S	*	3/2014	Tiner et al.	D25/199
8,709,162	B2	*	4/2014	Leung et al.	118/728
D706,577	S	*	6/2014	Funnell et al.	D7/409
2006/0003279	A1	*	1/2006	Best	431/328

OTHER PUBLICATIONS

U.S. Appl. No. 29/430,967, filed Aug. 31, 2012.
U.S. Appl. No. 29/448,550, filed Mar. 13, 2013.

* cited by examiner

Primary Examiner — Ricky Pham

(74) *Attorney, Agent, or Firm* — Patterson & Sheridan, LLP

(57) **CLAIM**

The ornamental design for a susceptor with heater, as shown and described.

DESCRIPTION

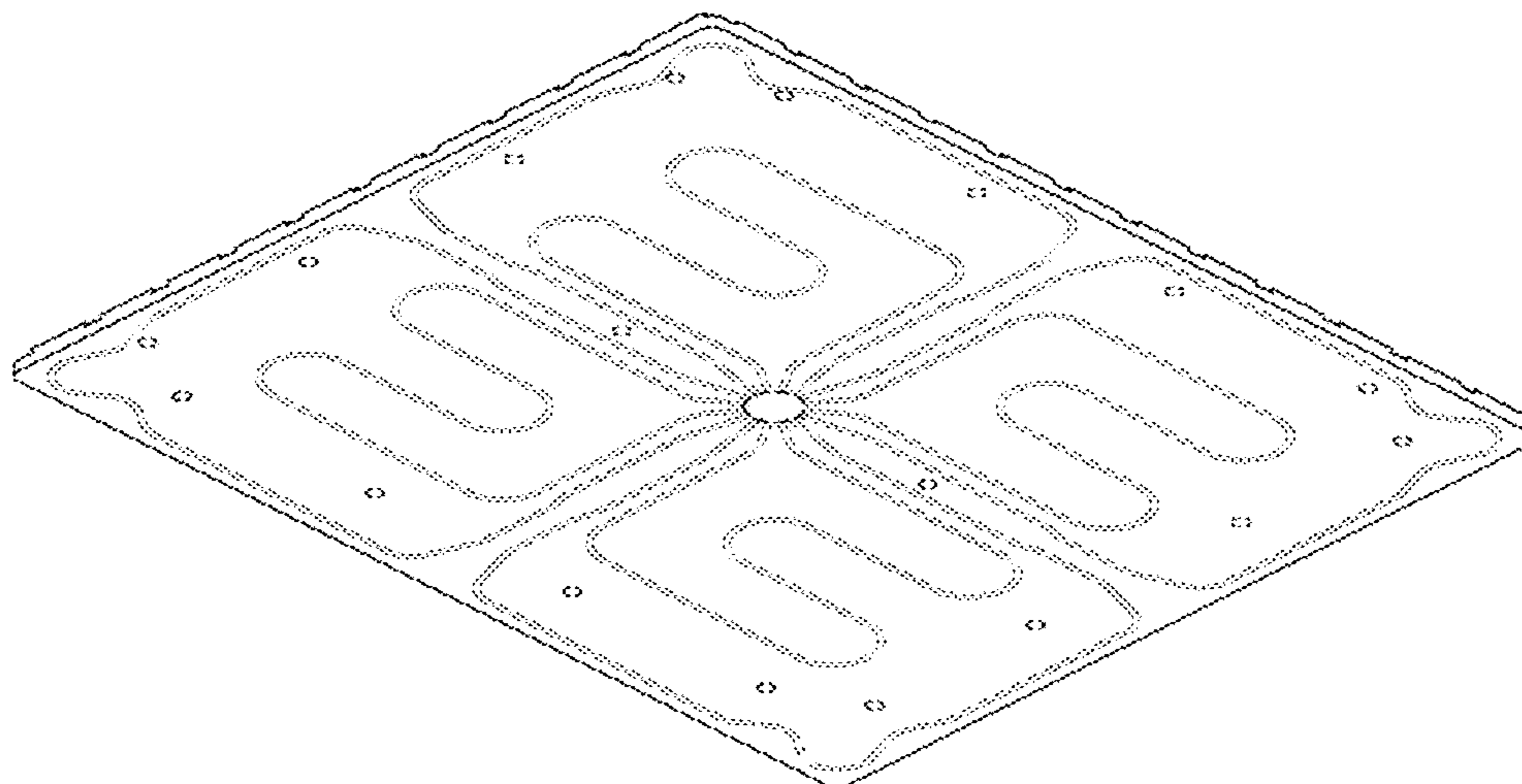
FIG. 1 is an isometric bottom view of a susceptor with heater. FIG. 2 is an isometric top view of the susceptor with heater of FIG. 1. FIG. 3 is a bottom plan view of the susceptor with heater of FIG. 1. FIG. 4 is a top plan view of the susceptor with heater of FIG. 1. FIG. 5 is a side elevation view of the susceptor with heater of FIG. 1. The opposing side elevation view is a mirror-image. FIG. 6 is a side elevation view of the susceptor with heater of FIG. 1. The opposing side elevation view is a mirror-image. FIG. 7 is a cross-sectional view taken along section 7-7 of FIG. 4; and, FIG. 8 is an enlarged plan view of a portion of the susceptor with heater of FIG. 3. The broken lines in the Figures form no part of the claimed design.

1 Claim, 5 Drawing Sheets

(56) **References Cited**

U.S. PATENT DOCUMENTS

3,237,552 A * 3/1966 Cronheim 99/340
5,355,869 A * 10/1994 Pickard et al. 126/263.01



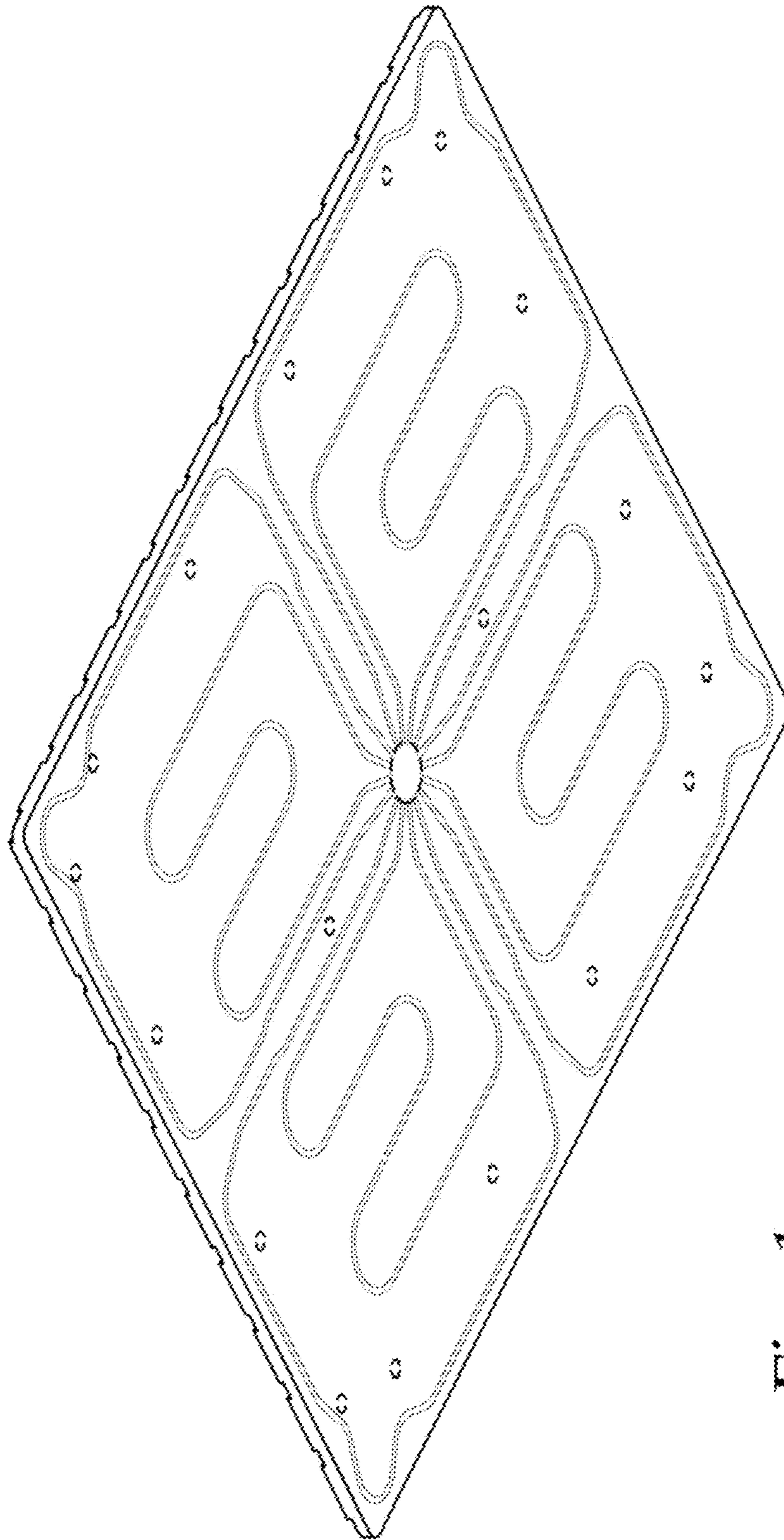


Fig. 1

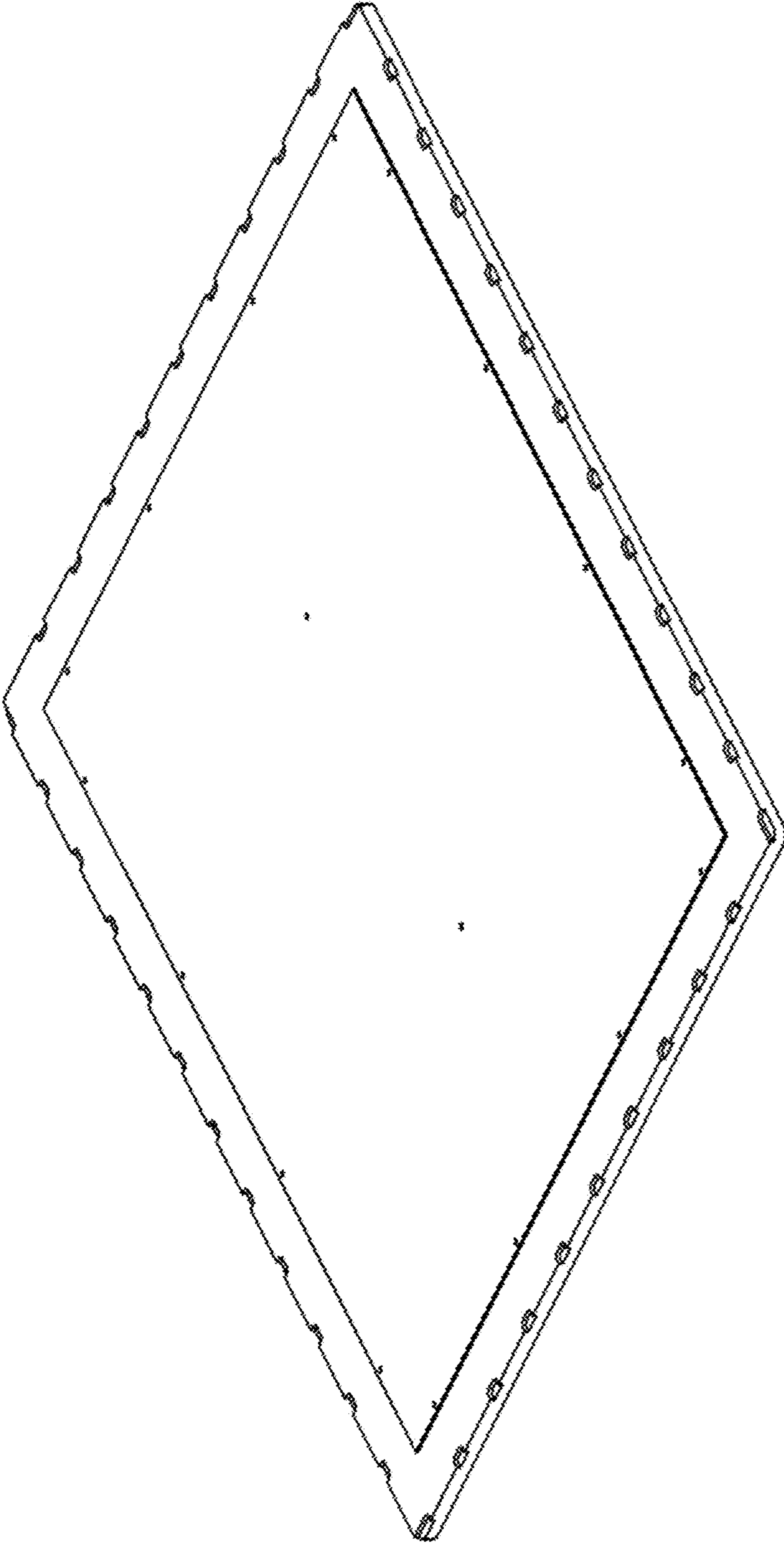


Fig. 2

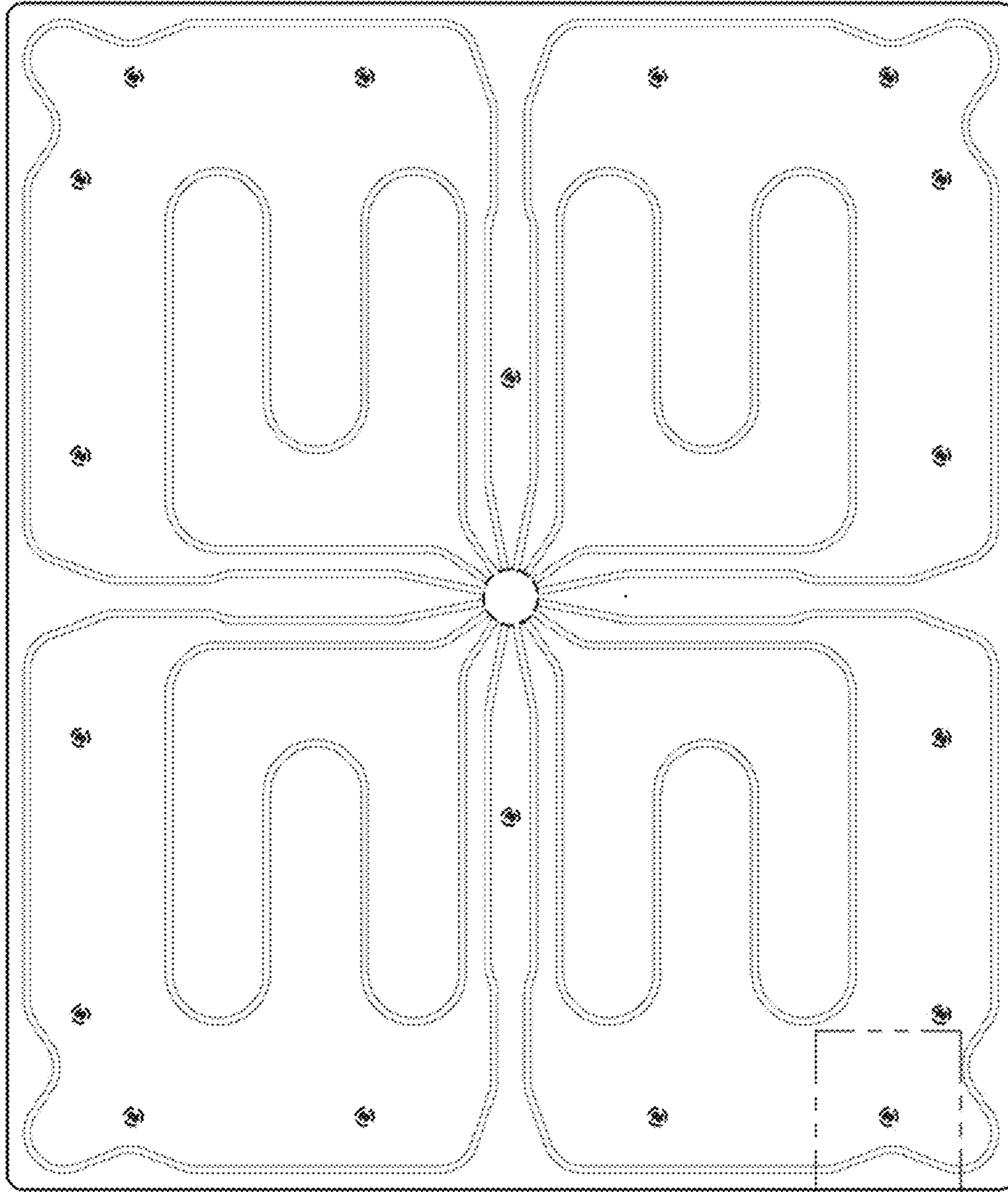


Fig. 8

Fig. 3

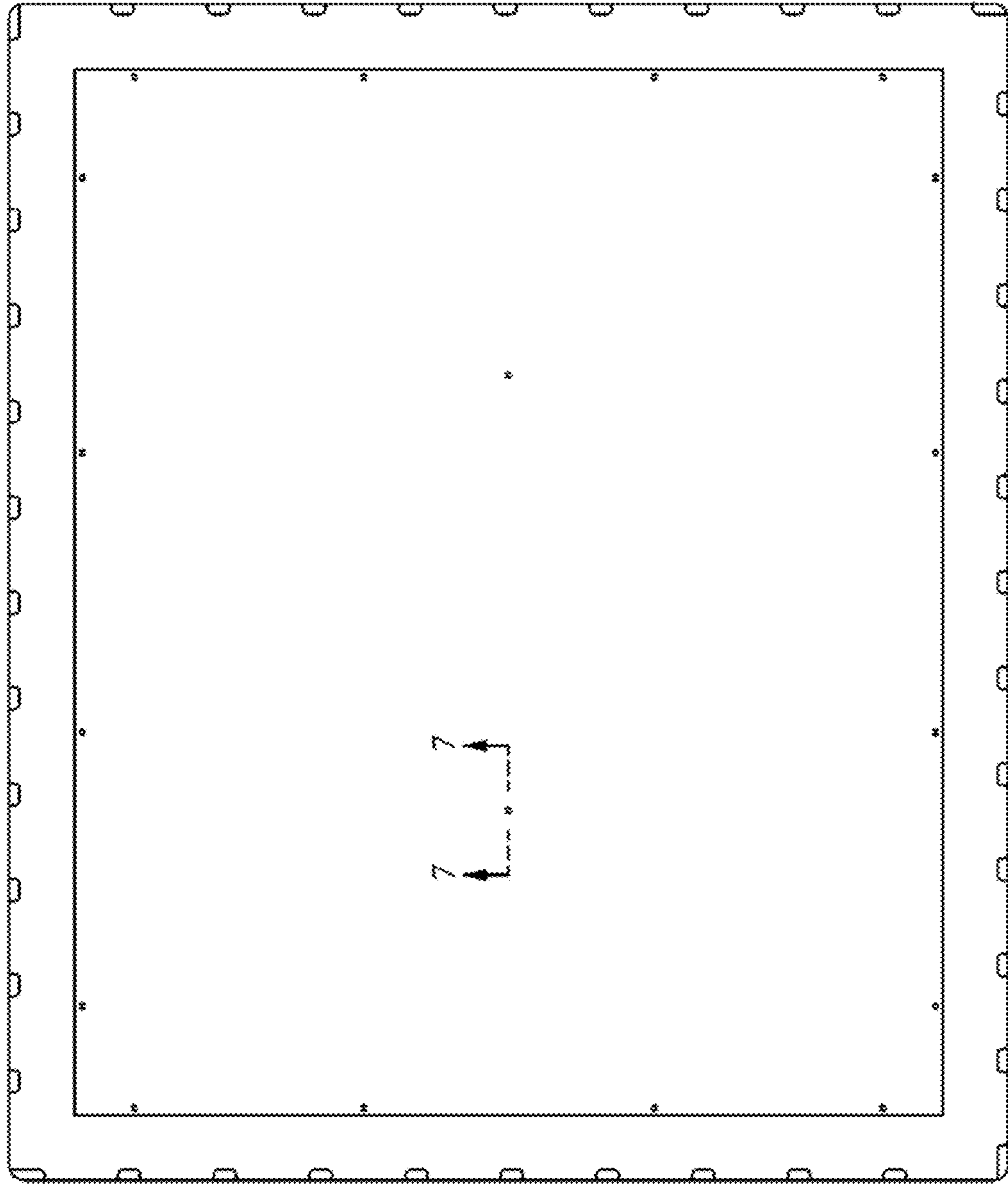


Fig. 4

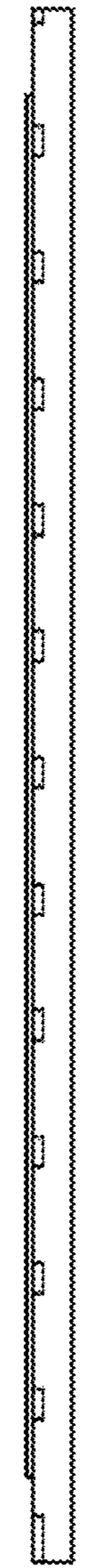


Fig. 5

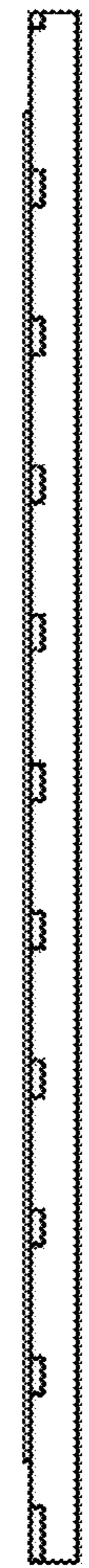


Fig. 6

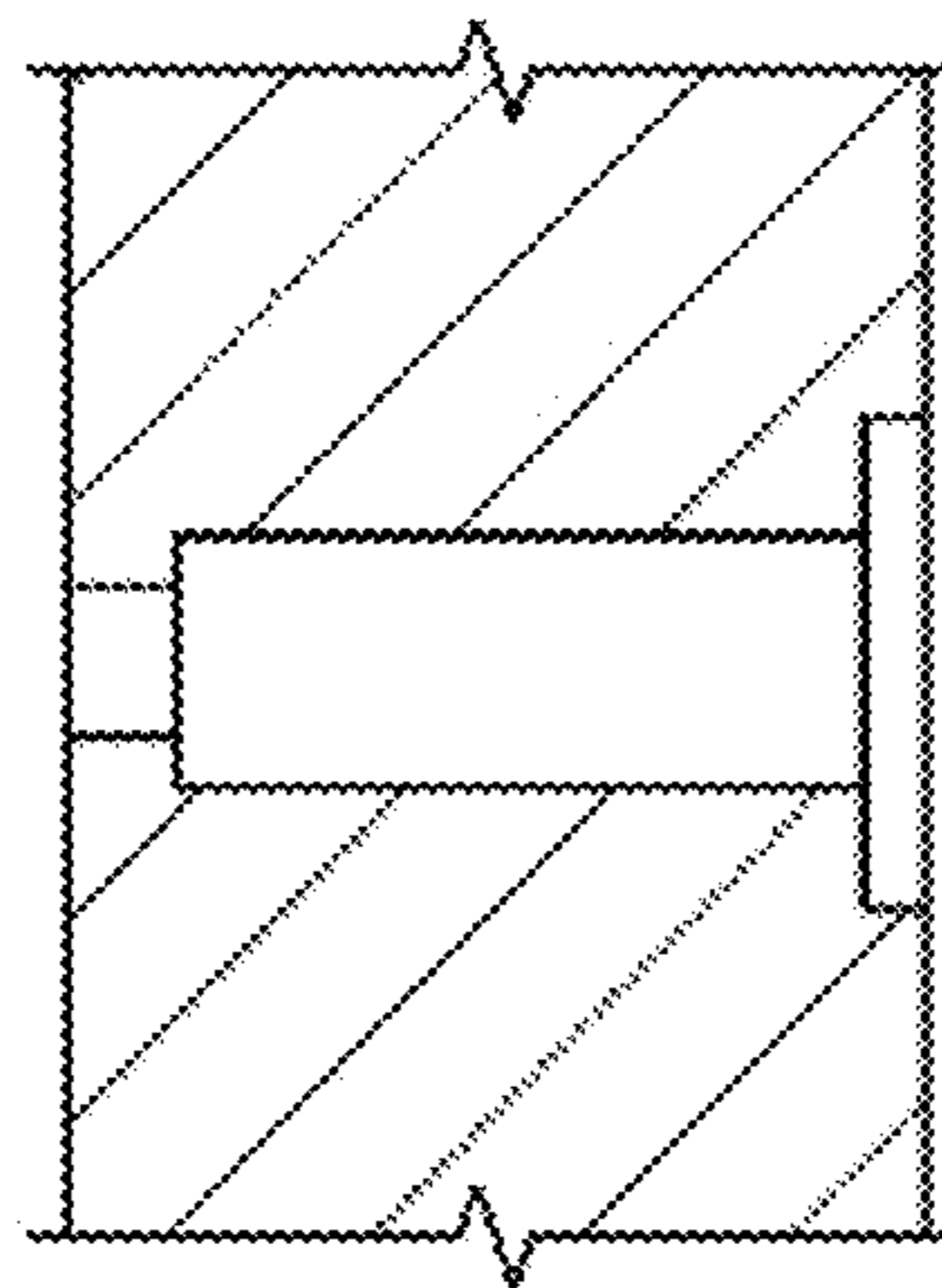


Fig. 7

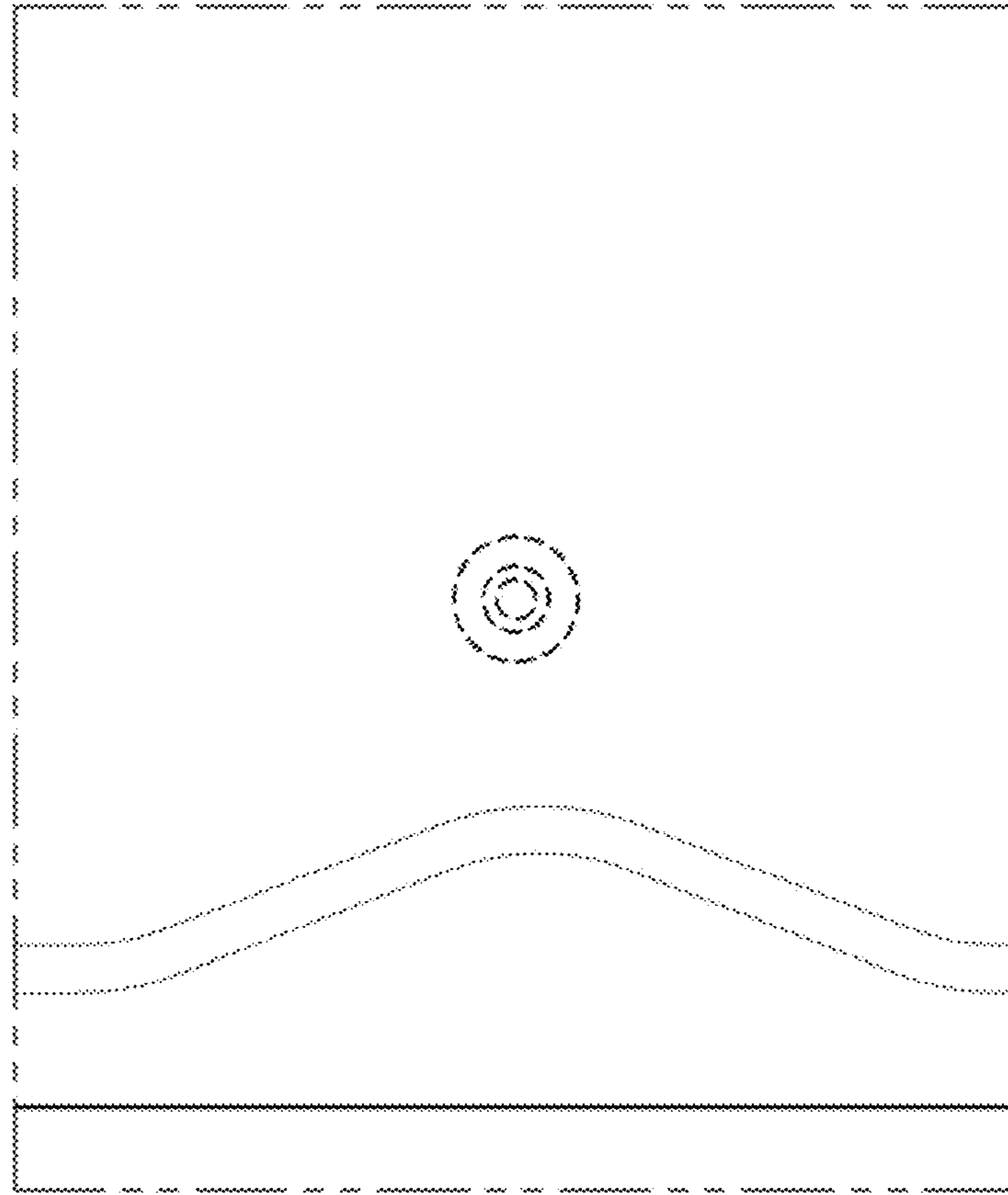


Fig. 8