



US00D716096S

(12) **United States Design Patent**
Krooshof et al.

(10) **Patent No.:** **US D716,096 S**
(45) **Date of Patent:** **** Oct. 28, 2014**

(54) **BOTTLE WARMER**

- (71) Applicant: **Koninklijke Philips N.V.**, Eindhoven (NL)
- (72) Inventors: **Roeland Gerard Krooshof**, Rotterdam (NL); **Elodie Jeanne Claudine Thomas**, Amsterdam (NL)
- (73) Assignee: **Philips Electronics N.V.**, Eindhoven (NL)
- (**) Term: **14 Years**
- (21) Appl. No.: **29/487,463**
- (22) Filed: **Apr. 9, 2014**

(30) **Foreign Application Priority Data**

Oct. 15, 2013 (EM) 002326579-0001

(51) **LOC (10) Cl.** **07-02**

(52) **U.S. Cl.**
USPC **D7/326**

(58) **Field of Classification Search**

CPC A01J 9/08; A23L 3/10; A47J 27/04;
A47J 27/004; A47J 36/24; A47J 36/2411;
A47J 36/2416; A47J 36/2433; A47J 36/2438;
A47J 39/00; A47J 39/006; A47J 41/00;
A63H 33/30; F21V 33/00; H05B 3/0004
USPC D7/323, 326-327, 368, 376, 378, 386,
D7/412, 601, 602, 605, 665; 99/359, 413,
99/417; 126/261; 165/73-75, 80.5;
219/385, 386, 428-429, 430, 521;
220/592.17, 592.23; 392/333; 446/418

See application file for complete search history.

(56) **References Cited**

U.S. PATENT DOCUMENTS

3,805,440	A *	4/1974	Becker	446/418
D394,986	S *	6/1998	Lallemand	D7/378
5,975,337	A *	11/1999	Hadley	220/592.17
D448,236	S *	9/2001	Murray	D7/326
D448,967	S *	10/2001	Planca et al.	D7/378
6,444,956	B1 *	9/2002	Witcher et al.	219/429
D510,238	S *	10/2005	Yen	D7/665
D547,118	S *	7/2007	Picozza et al.	D7/412
D550,506	S *	9/2007	Spitzer	D7/412
D630,467	S *	1/2011	Harrod	D7/376
D640,502	S *	6/2011	Picozza et al.	D7/412
D670,958	S *	11/2012	Picozza et al.	D7/386
D679,935	S *	4/2013	Tse et al.	D7/326

* cited by examiner

Primary Examiner — Ricky Pham

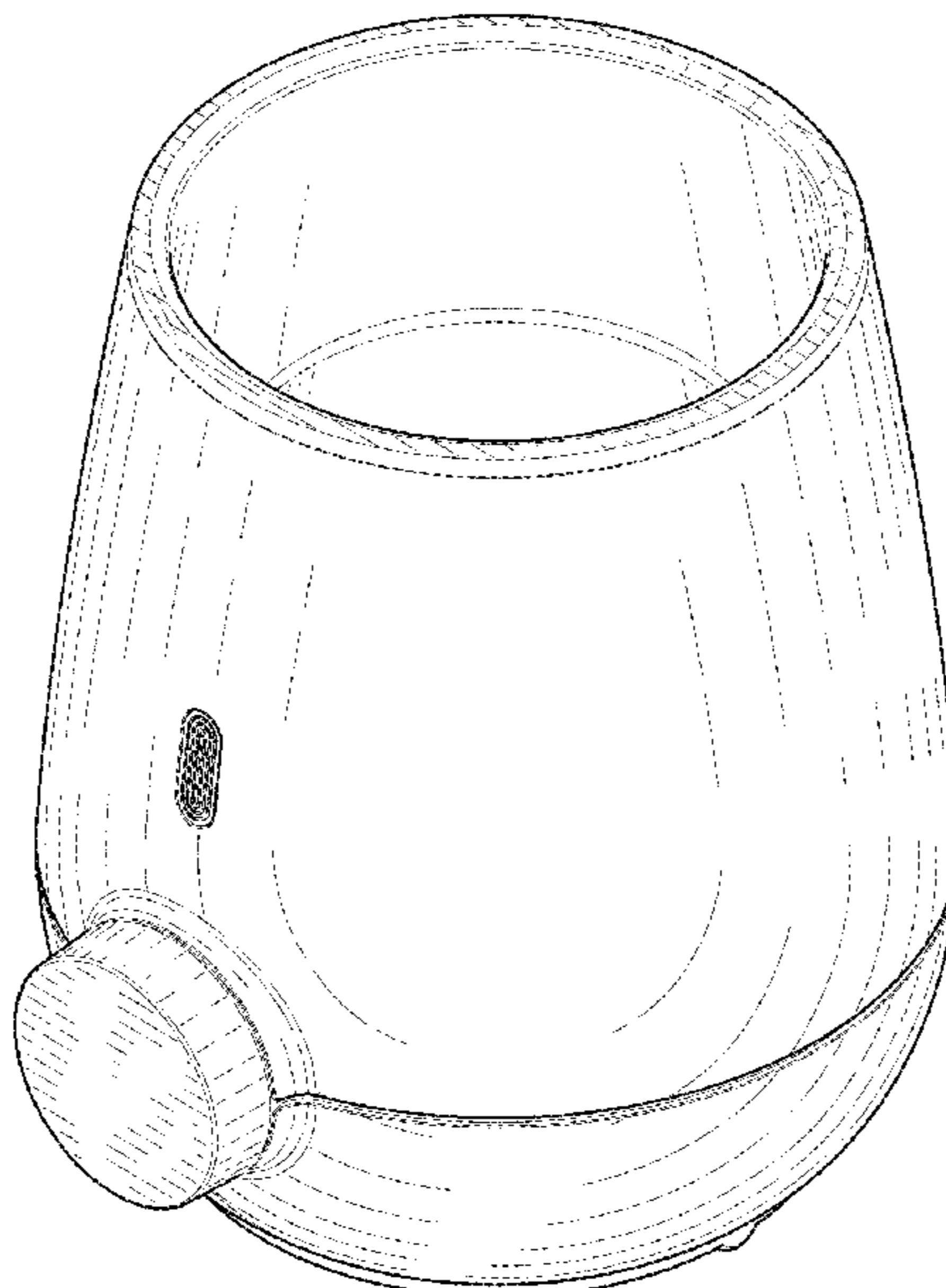
(57) **CLAIM**

The ornamental design for a bottle warmer, as shown.

DESCRIPTION

FIG. 1 is a perspective view of a bottle warmer showing our new design;
FIG. 2 is a front elevational view thereof;
FIG. 3 is a rear elevational view thereof;
FIG. 4 is a right side elevational view thereof;
FIG. 5 is a left side elevational view thereof;
FIG. 6 is a top plan view thereof; and,
FIG. 7 is a bottom plan view thereof.
The broken lines shown in the drawings are for illustrative purposes only and form no part of the claimed design.

1 Claim, 7 Drawing Sheets



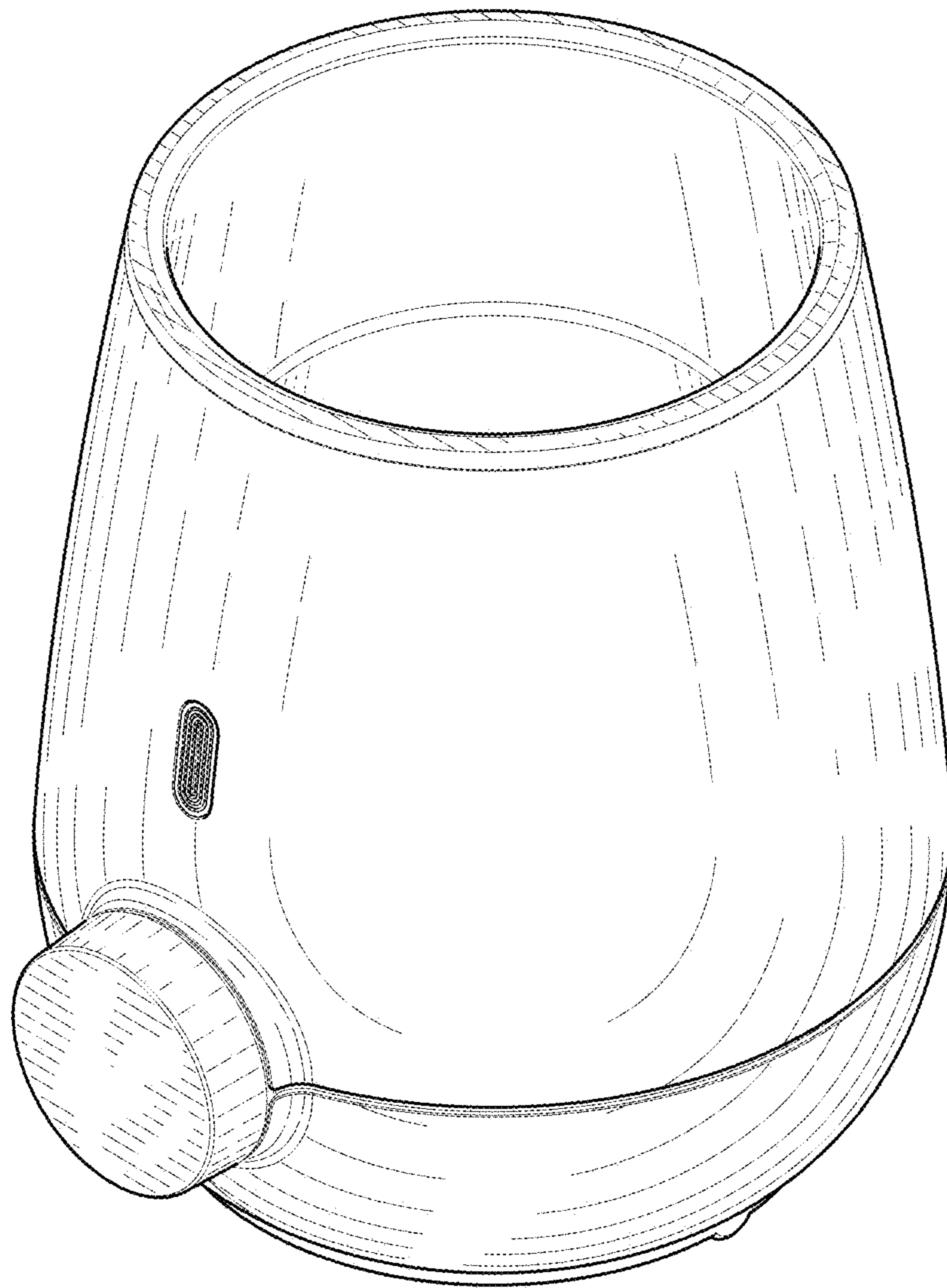


FIG. 1

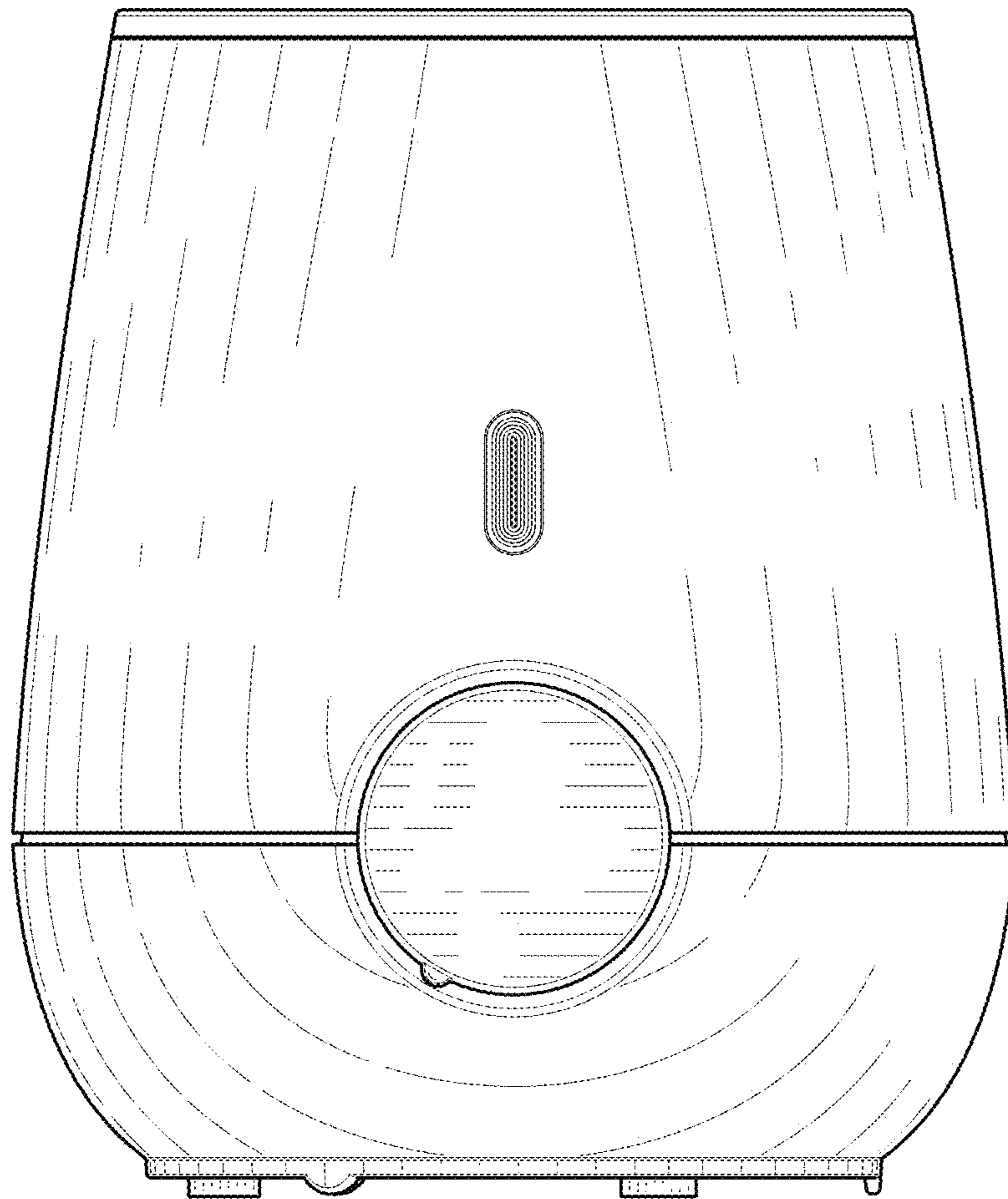


FIG. 2

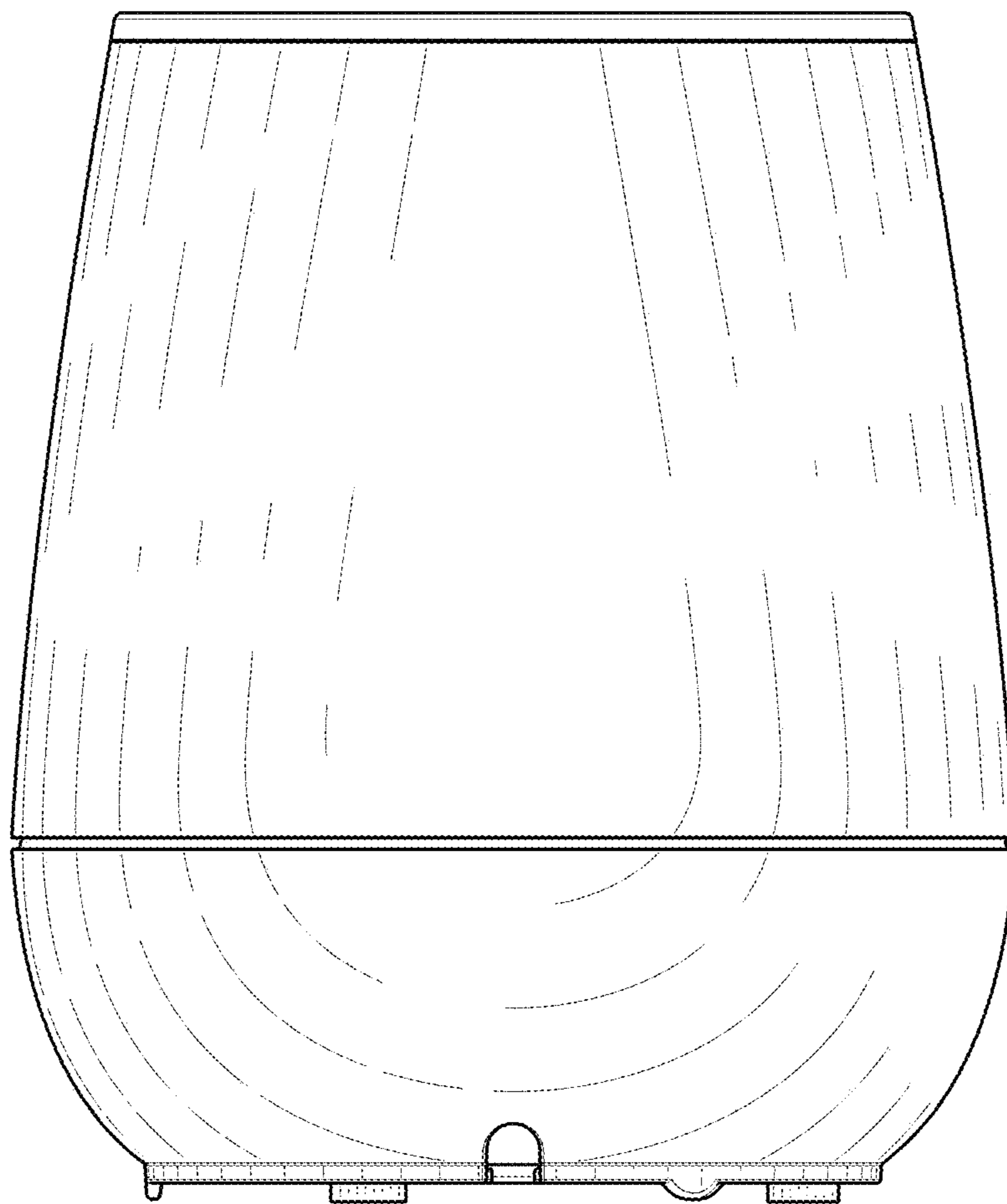


FIG. 3

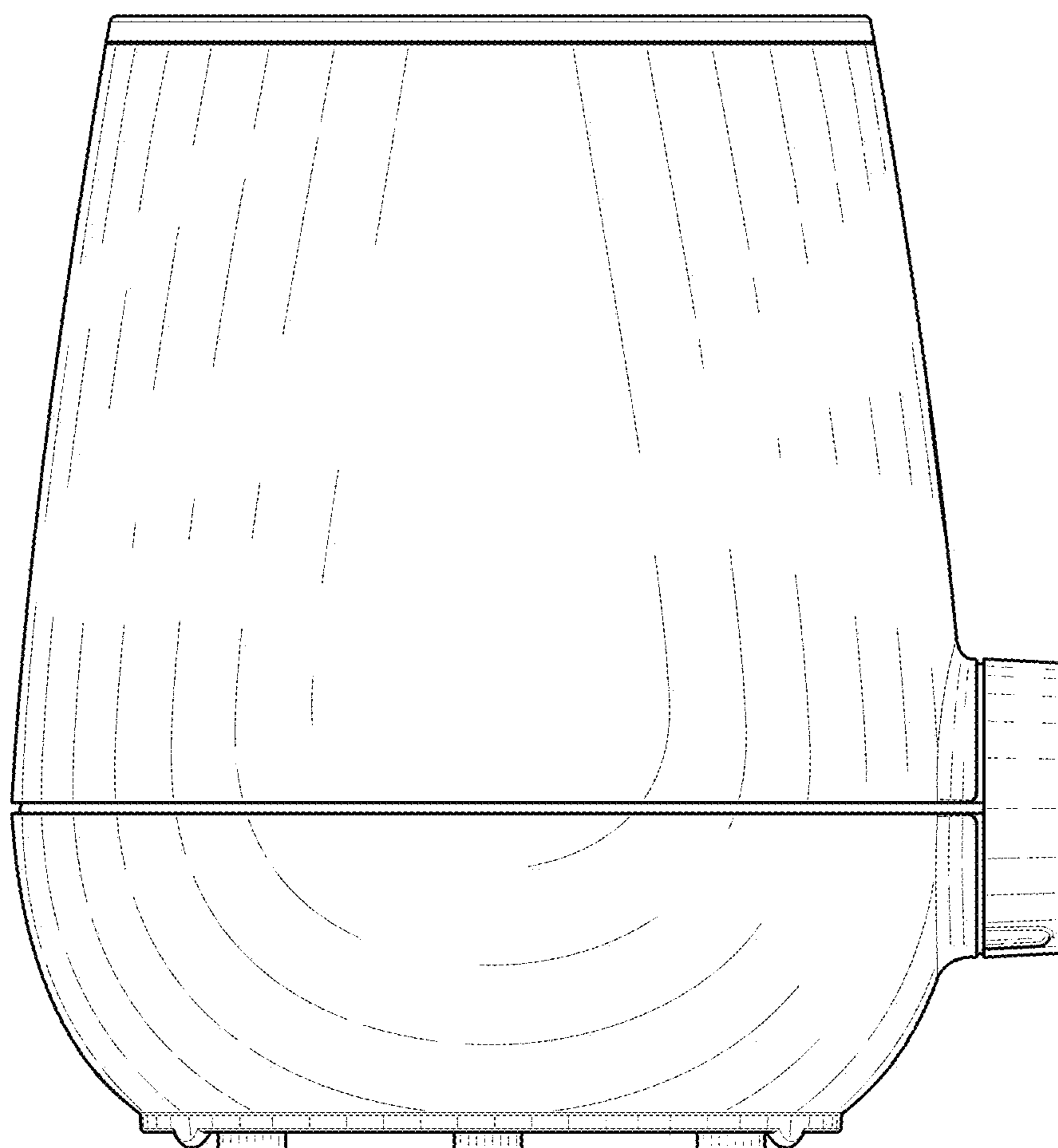


FIG. 4

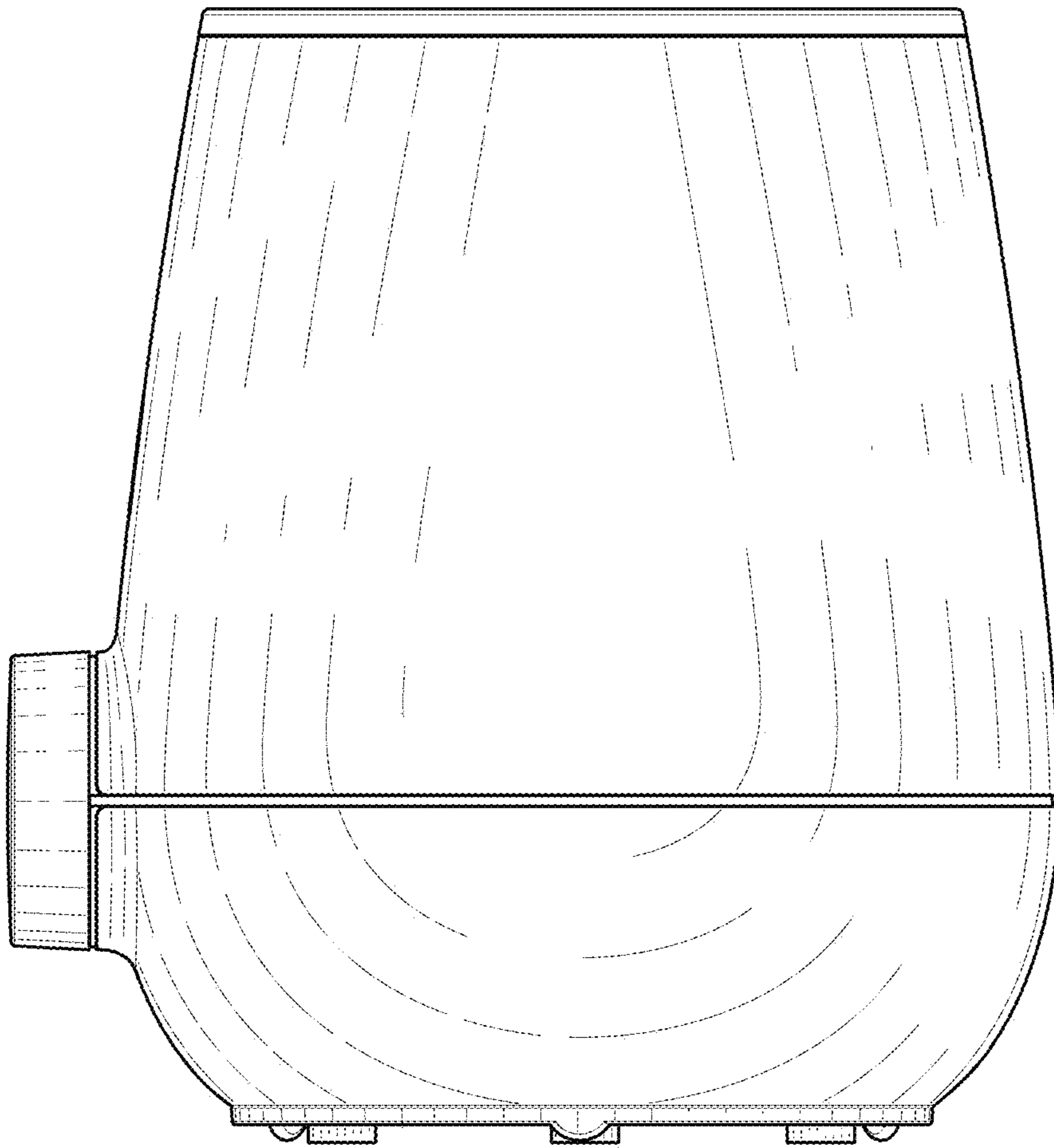


FIG. 5

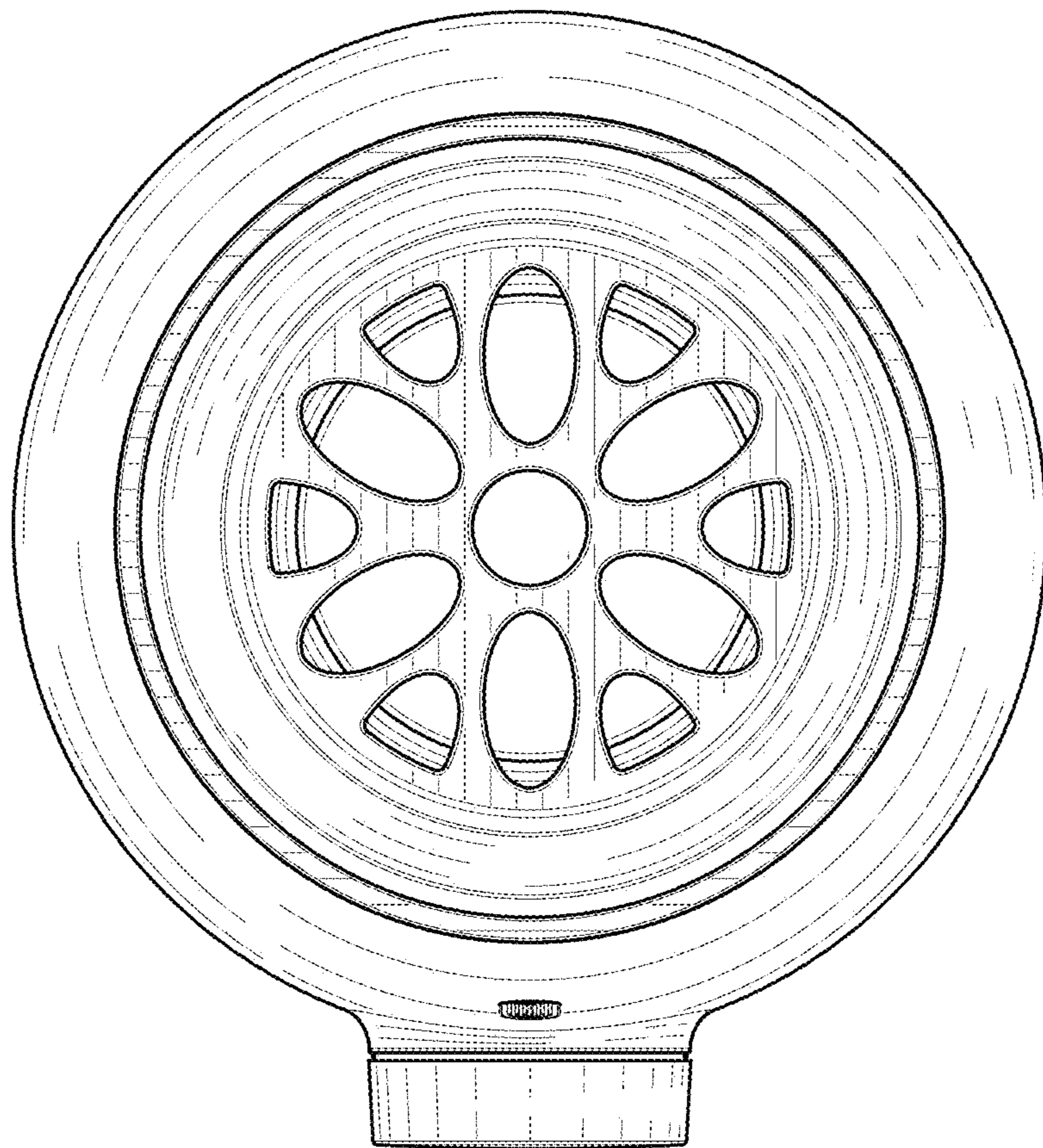


FIG. 6

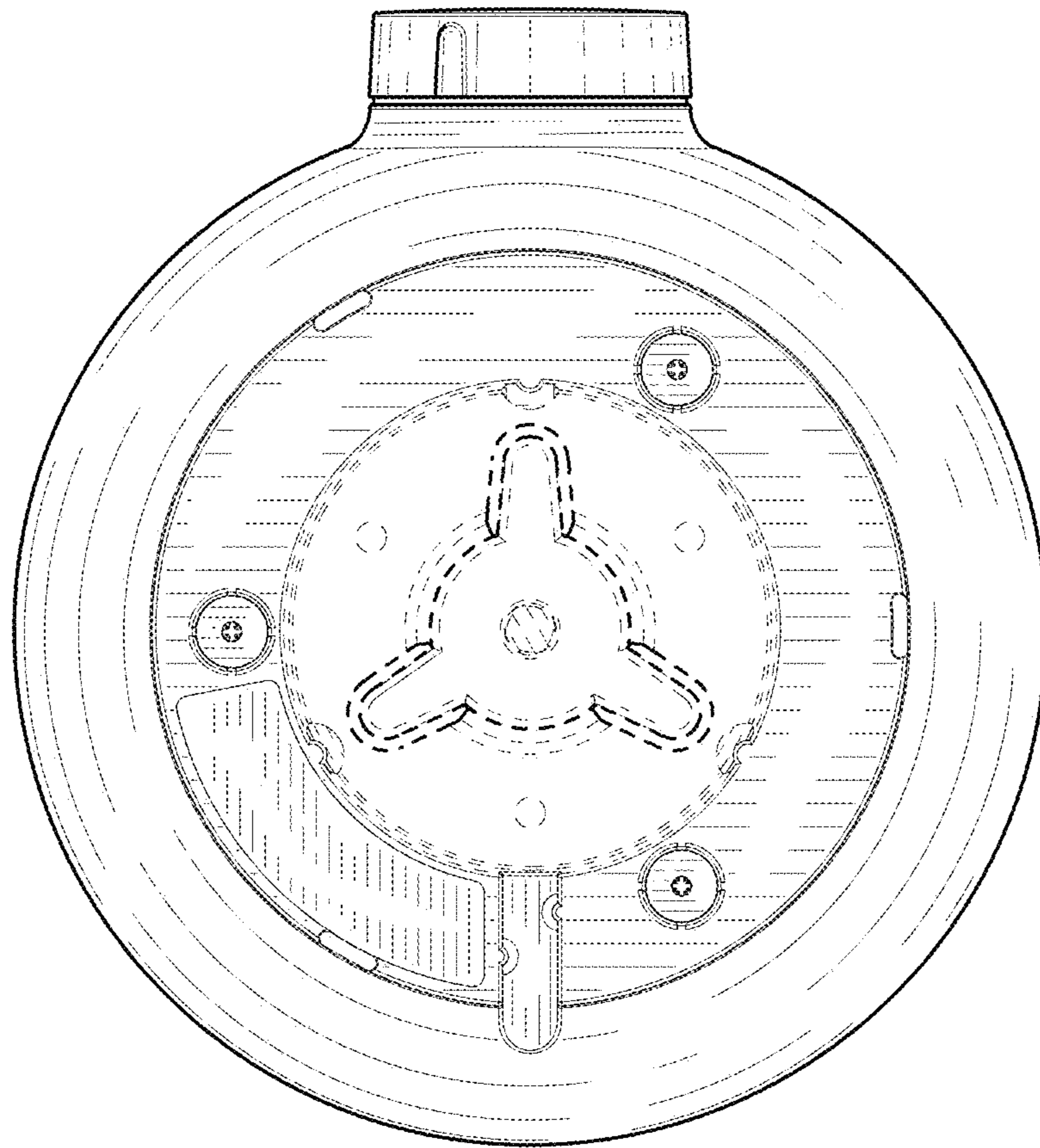


FIG. 7