



US00D716095S

(12) **United States Design Patent**
Veltrop et al.

(10) **Patent No.:** **US D716,095 S**

(45) **Date of Patent:** **** Oct. 28, 2014**

(54) **FOOD WARMER**

(71) Applicant: **Prince Castle LLC**, Carol Stream, IL
(US)

(72) Inventors: **Loren Veltrop**, Deerfield, IL (US); **Eric William Larson**, Pecatonica, IL (US)

(73) Assignee: **Prince Castle LLC**, Carol Stream, IL
(US)

(**) Term: **14 Years**

(21) Appl. No.: **29/450,074**

(22) Filed: **Mar. 15, 2013**

(51) **LOC (10) Cl.** **07-02**

(52) **U.S. Cl.**
USPC **D7/323; D7/357**

(58) **Field of Classification Search**
CPC A47J 39/00; A47J 39/006; A47J 39/02;
A47J 37/0623; A27L 1/00; F24C 15/16
USPC D7/323, 352, 354, 355, 357; 99/468,
99/483, 485; 219/385, 386, 392, 394, 413;
426/418
See application file for complete search history.

(56) **References Cited**

U.S. PATENT DOCUMENTS

D63,818	S *	1/1924	Curtiss	D7/357
D243,362	S *	2/1977	Shumrak et al.	D7/355
D341,054	S *	11/1993	Maputol	D7/332
D369,269	S *	4/1996	Labadia Del Fresno	D7/352
5,783,803	A *	7/1998	Robards, Jr.	219/392
5,900,173	A *	5/1999	Robards, Jr.	219/392
D434,265	S *	11/2000	Tatlow	D7/354
6,412,403	B1 *	7/2002	Veltrop	99/483
6,637,322	B2 *	10/2003	Veltrop	99/483
6,884,451	B2 *	4/2005	Veltrop	426/418
7,105,779	B2 *	9/2006	Shei	219/413
7,328,654	B2 *	2/2008	Shei	99/468

7,385,160	B2 *	6/2008	Jones	219/386
7,858,906	B2 *	12/2010	Veltrop et al.	219/385
8,096,231	B2 *	1/2012	Veltrop et al.	99/483
2008/0023462	A1 *	1/2008	Shei et al.	219/394
2008/0302778	A1 *	12/2008	Veltrop et al.	219/385
2009/0266244	A1 *	10/2009	Maciejewski et al.	99/485

* cited by examiner

Primary Examiner — Martie K Holtje

(74) *Attorney, Agent, or Firm* — Marshall Gerstein & Borun
LLP

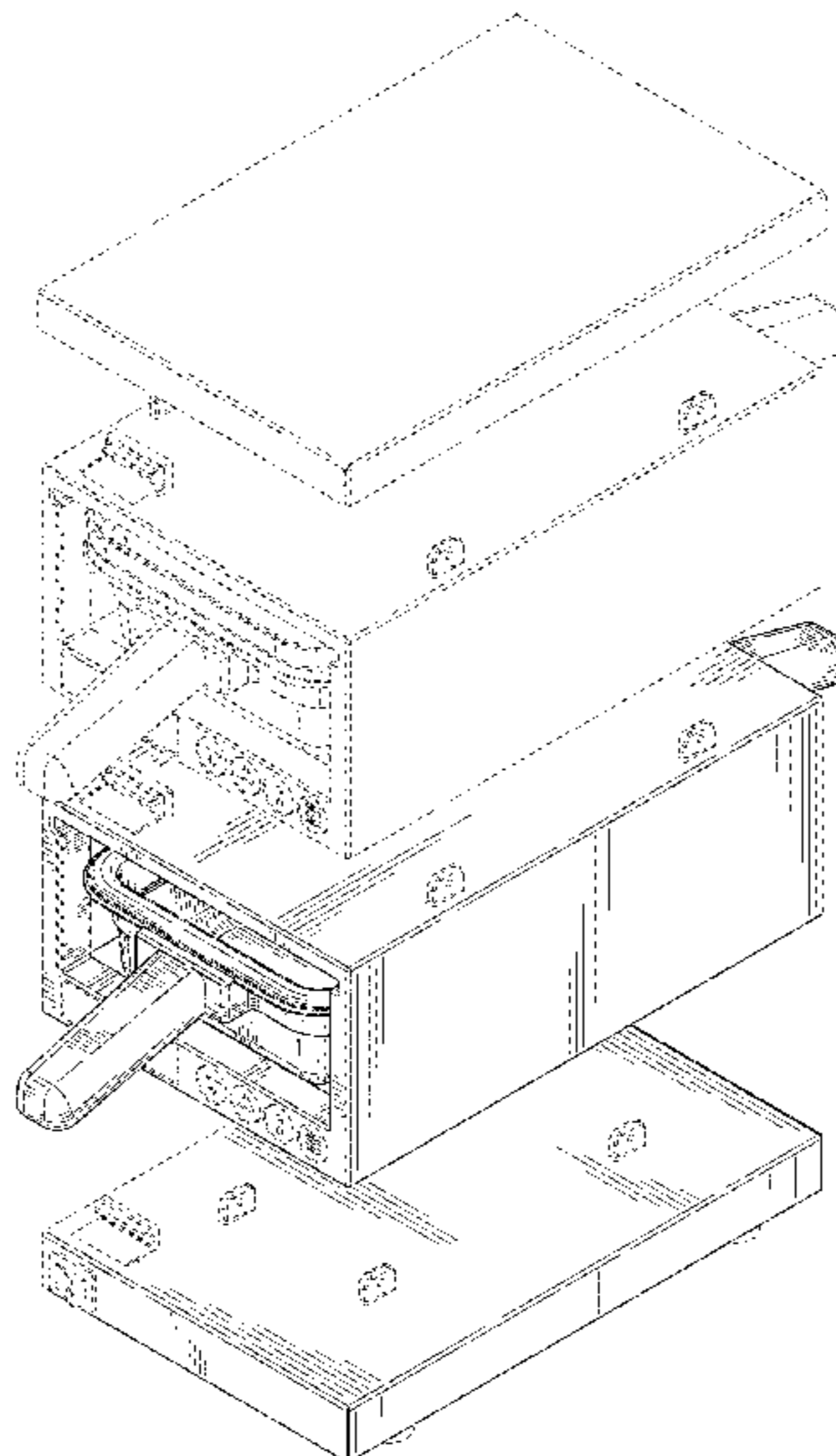
(57) **CLAIM**

The ornamental design for a food warmer, as shown and described.

DESCRIPTION

FIG. 1 is a top, front, right perspective view of a food warmer showing a first embodiment of my new design;
 FIG. 2 is a front view thereof;
 FIG. 3 is a rear view thereof;
 FIG. 4 is a right side view thereof;
 FIG. 5 is a left side view thereof;
 FIG. 6 is an exploded top, front, right perspective view thereof;
 FIG. 7 is a top, front, right perspective view of a food warmer showing a second embodiment of my new design;
 FIG. 8 is a front view of FIG. 7;
 FIG. 9 is a rear view of FIG. 7;
 FIG. 10 is a right side view of FIG. 7;
 FIG. 11 is a left side view thereof FIG. 7; and,
 FIG. 12 is an exploded top, front, right perspective view thereof.
 The broken lines immediately adjacent to the shaded area represent unclaimed boundaries of the design. The broken lines showing the remainder of the food warmer are for environmental purposes only and form no part of the claimed design.

1 Claim, 12 Drawing Sheets



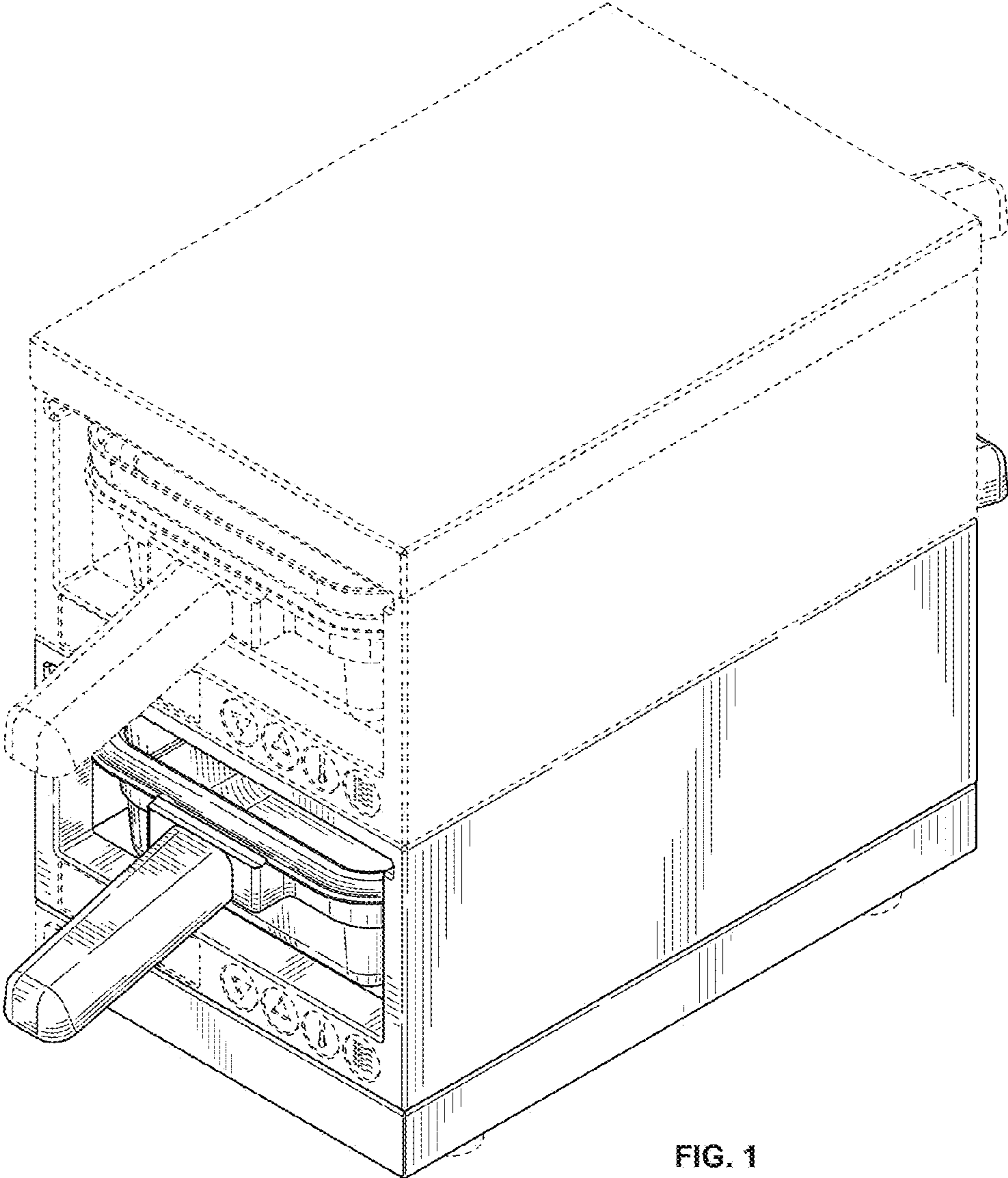


FIG. 1

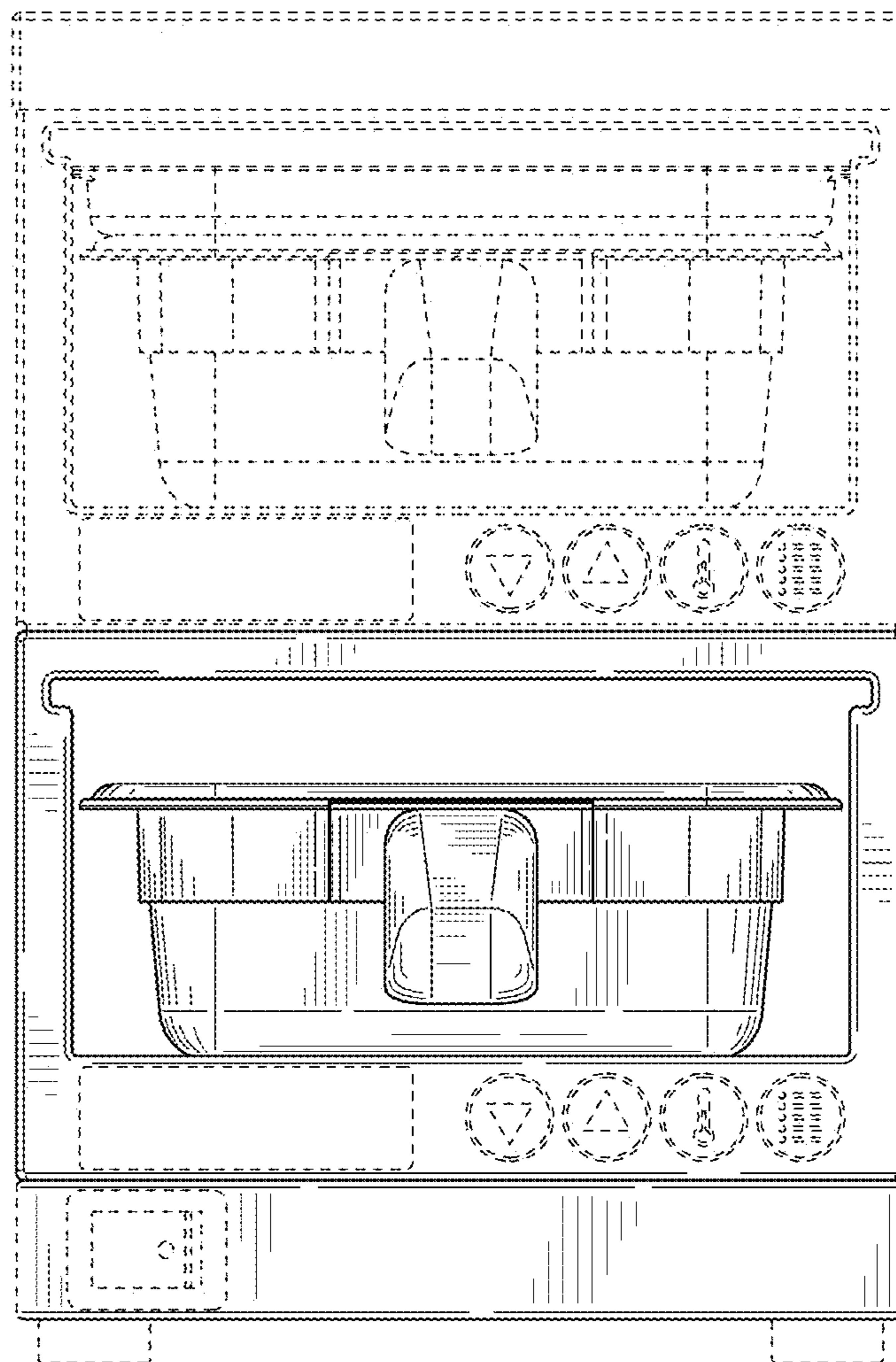


FIG. 2

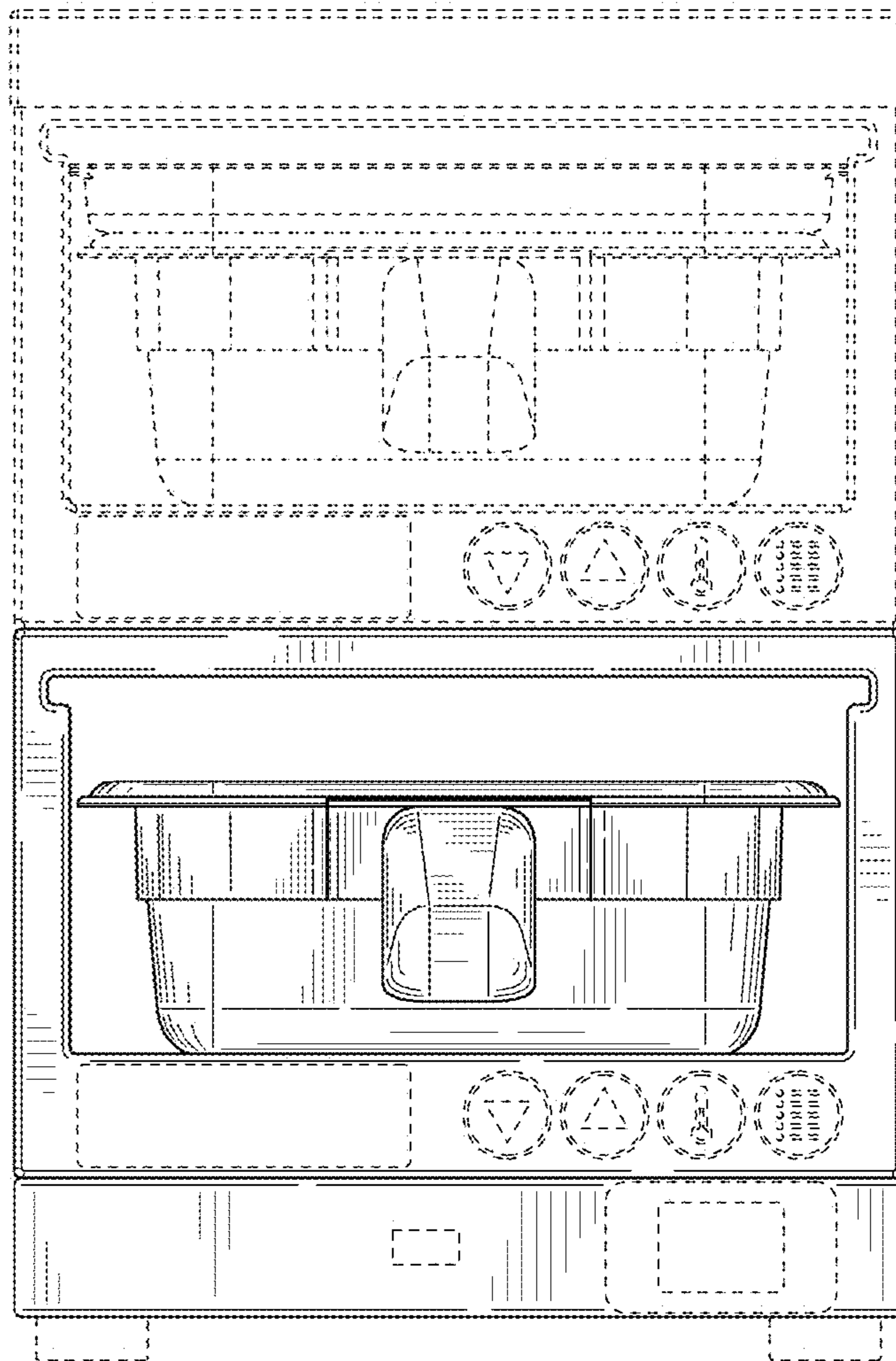


FIG. 3

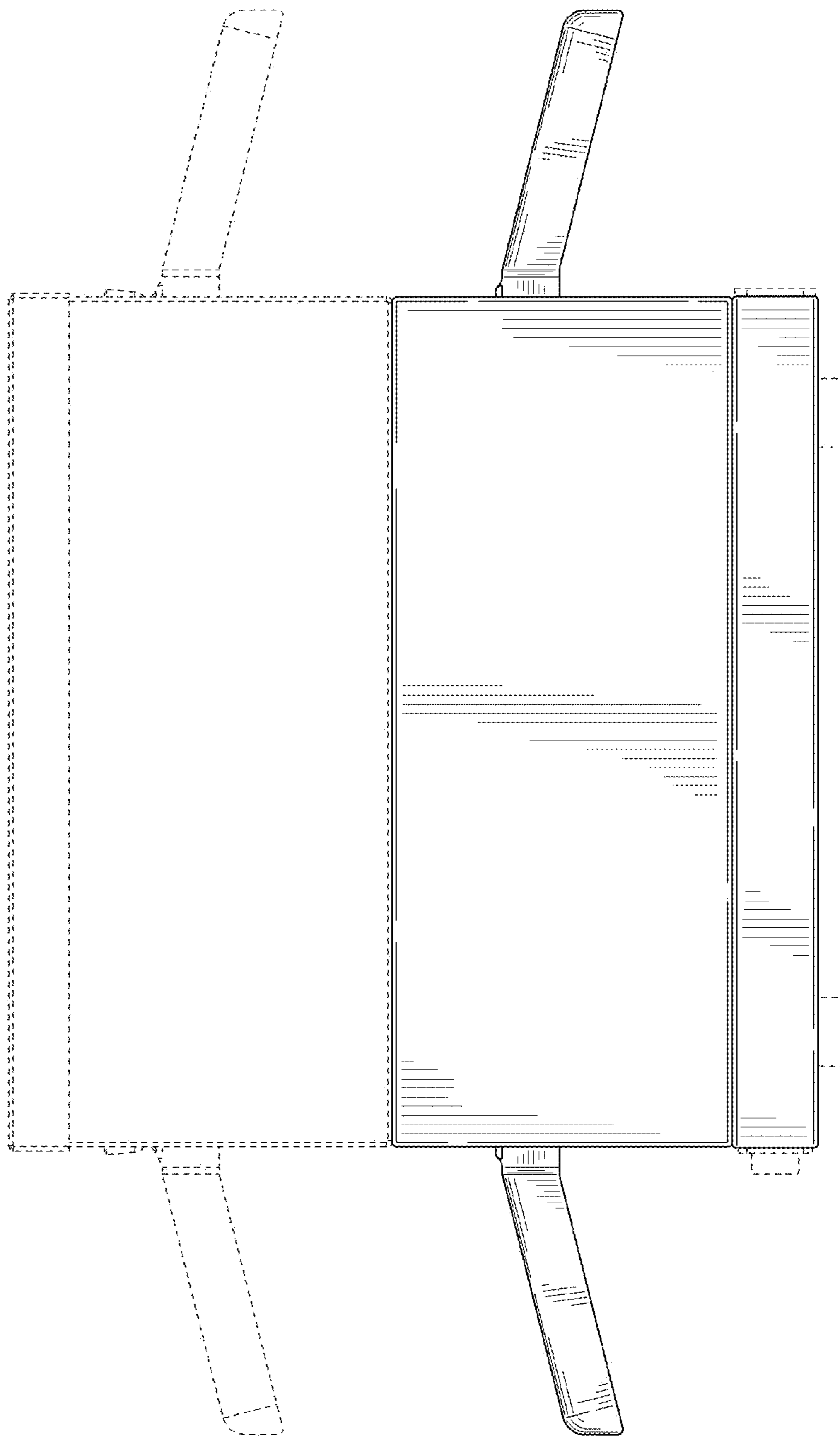


FIG. 4

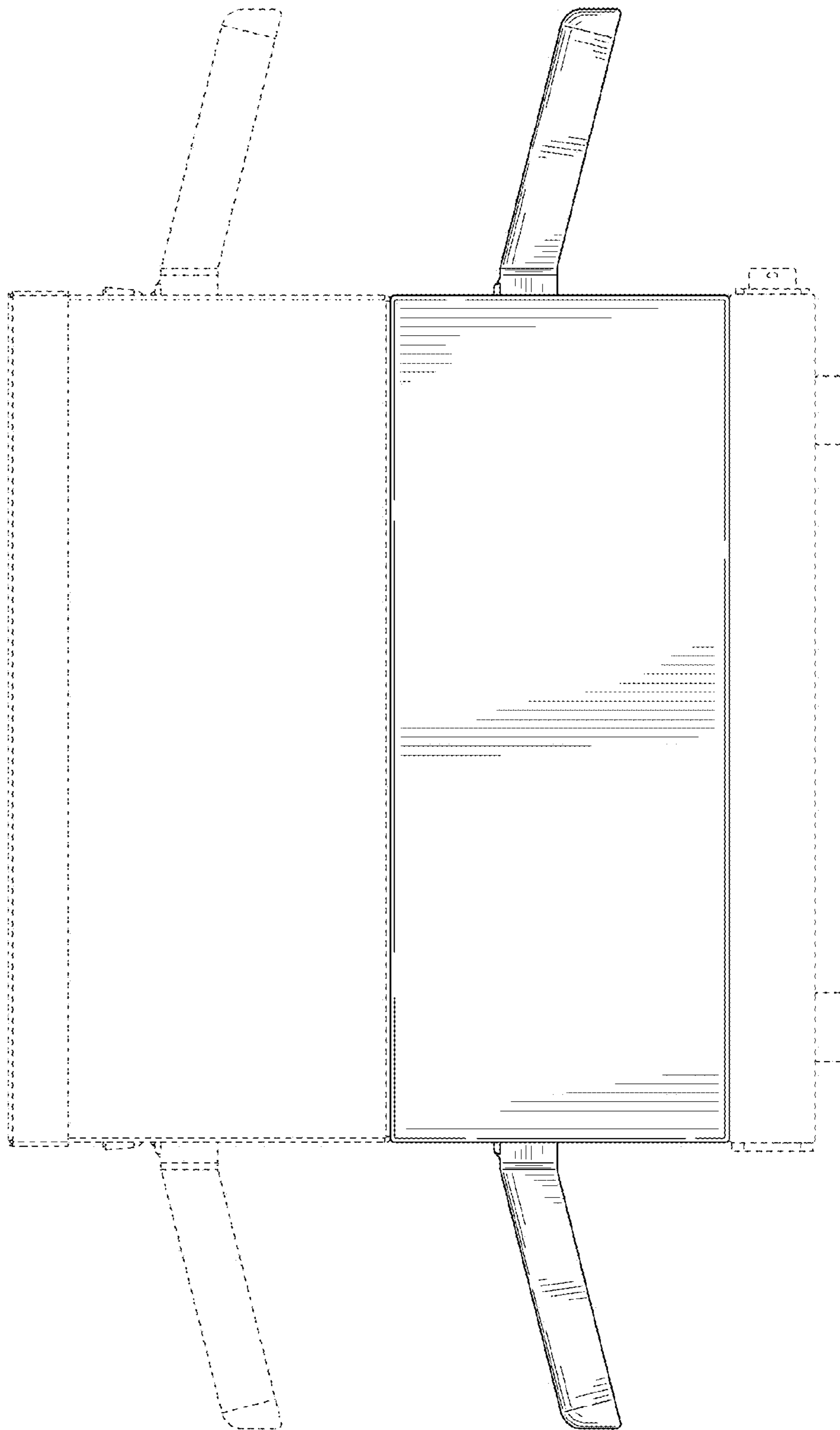


FIG. 5

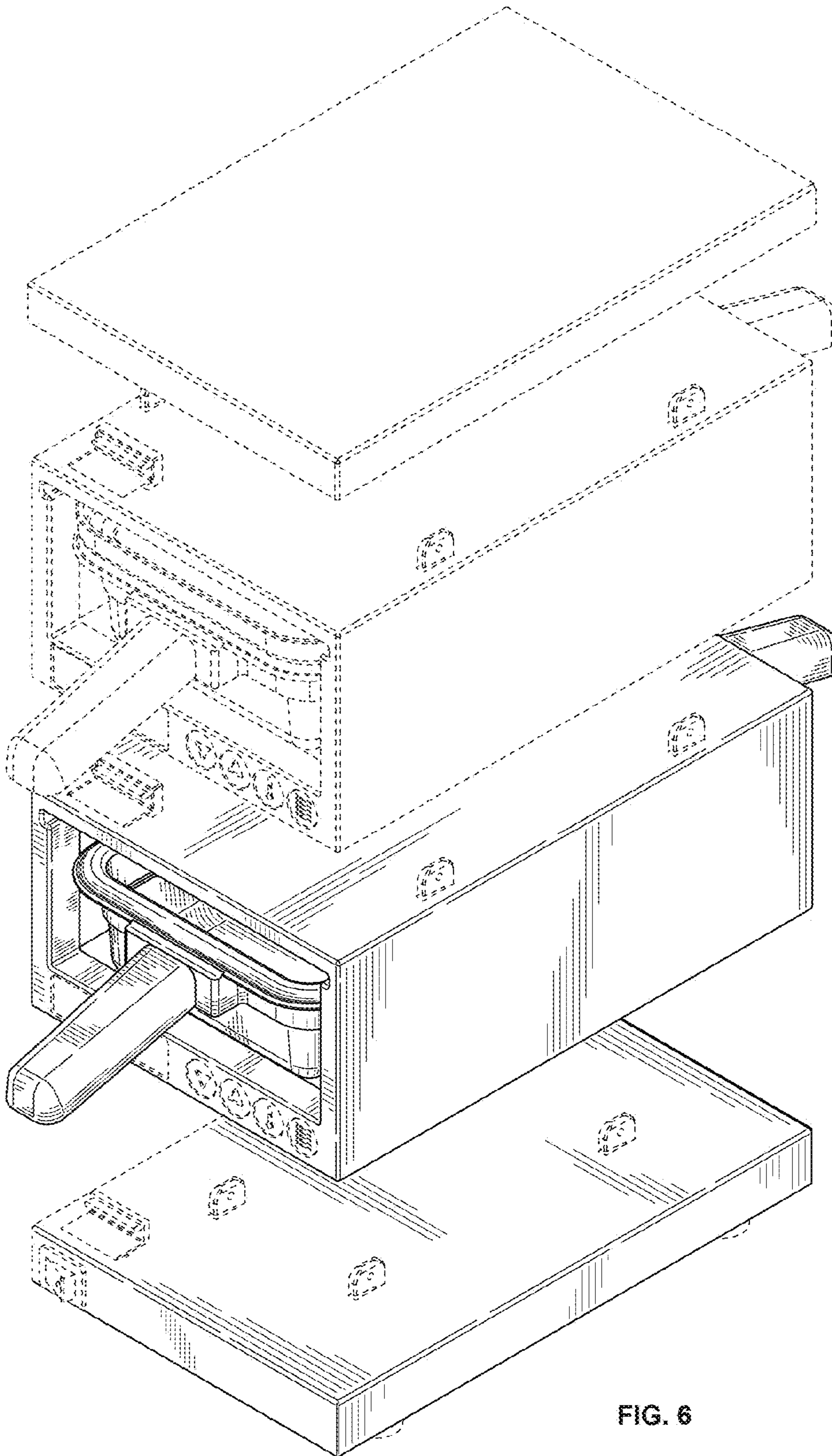


FIG. 6

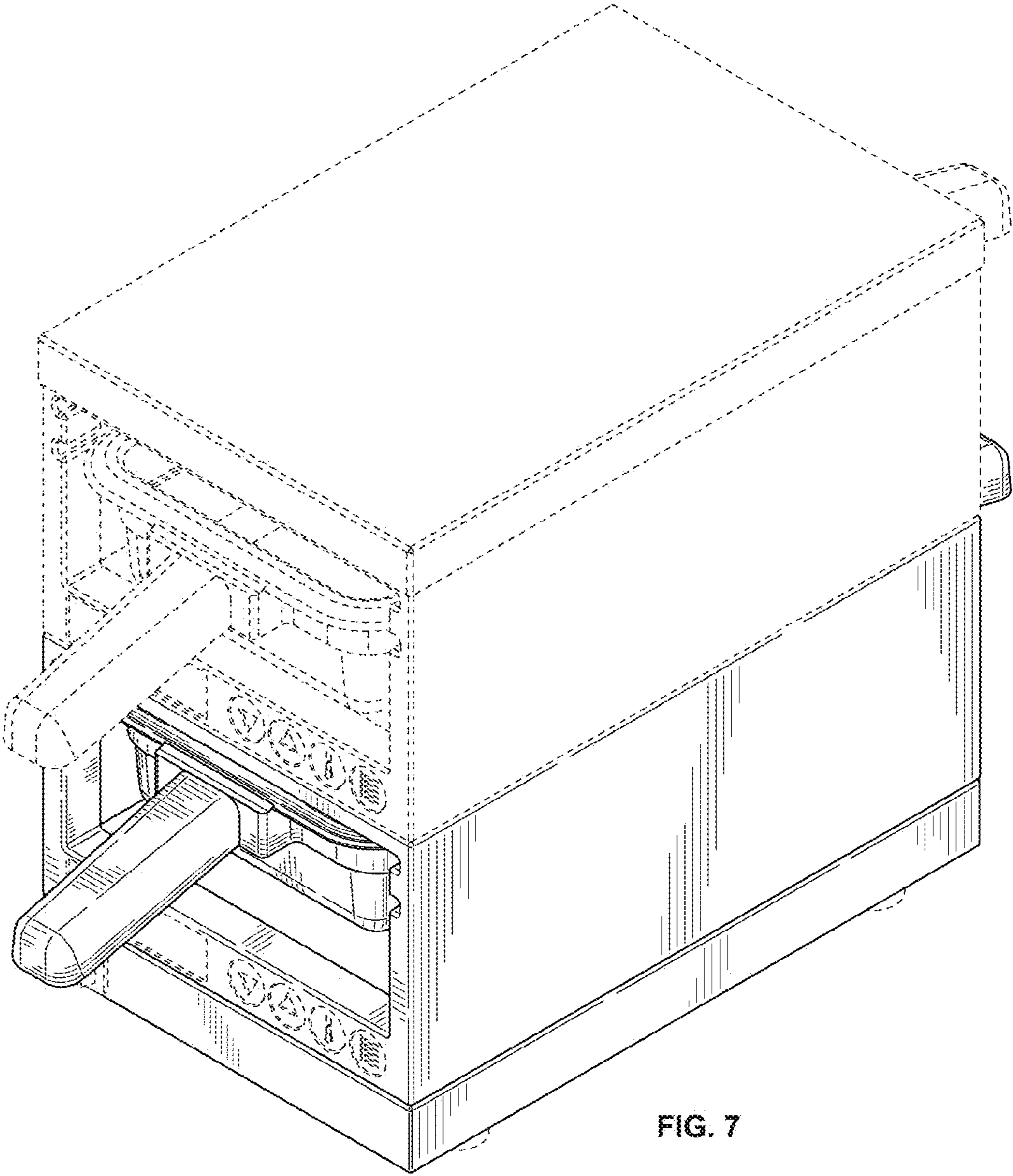


FIG. 7

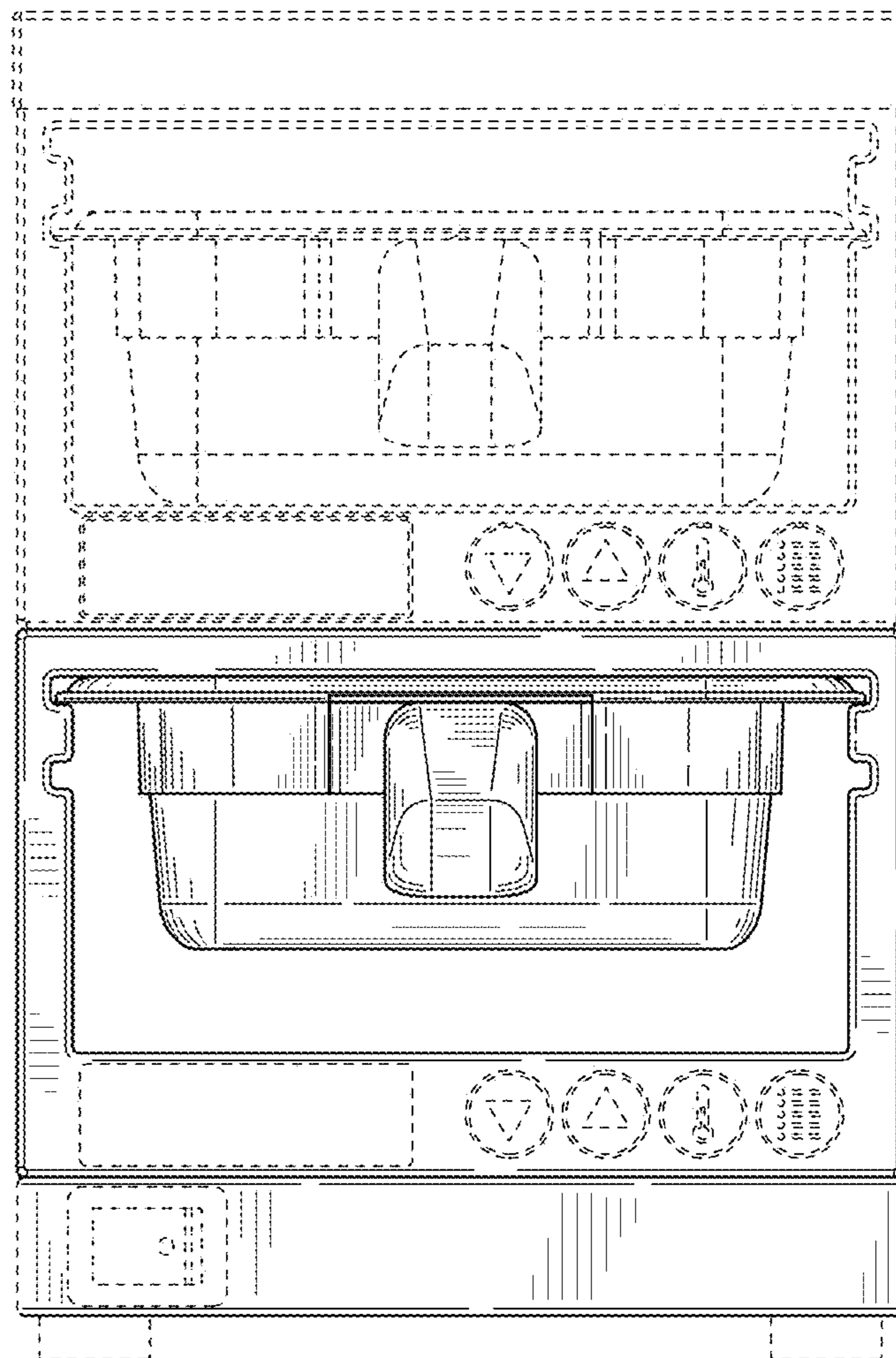


FIG. 8

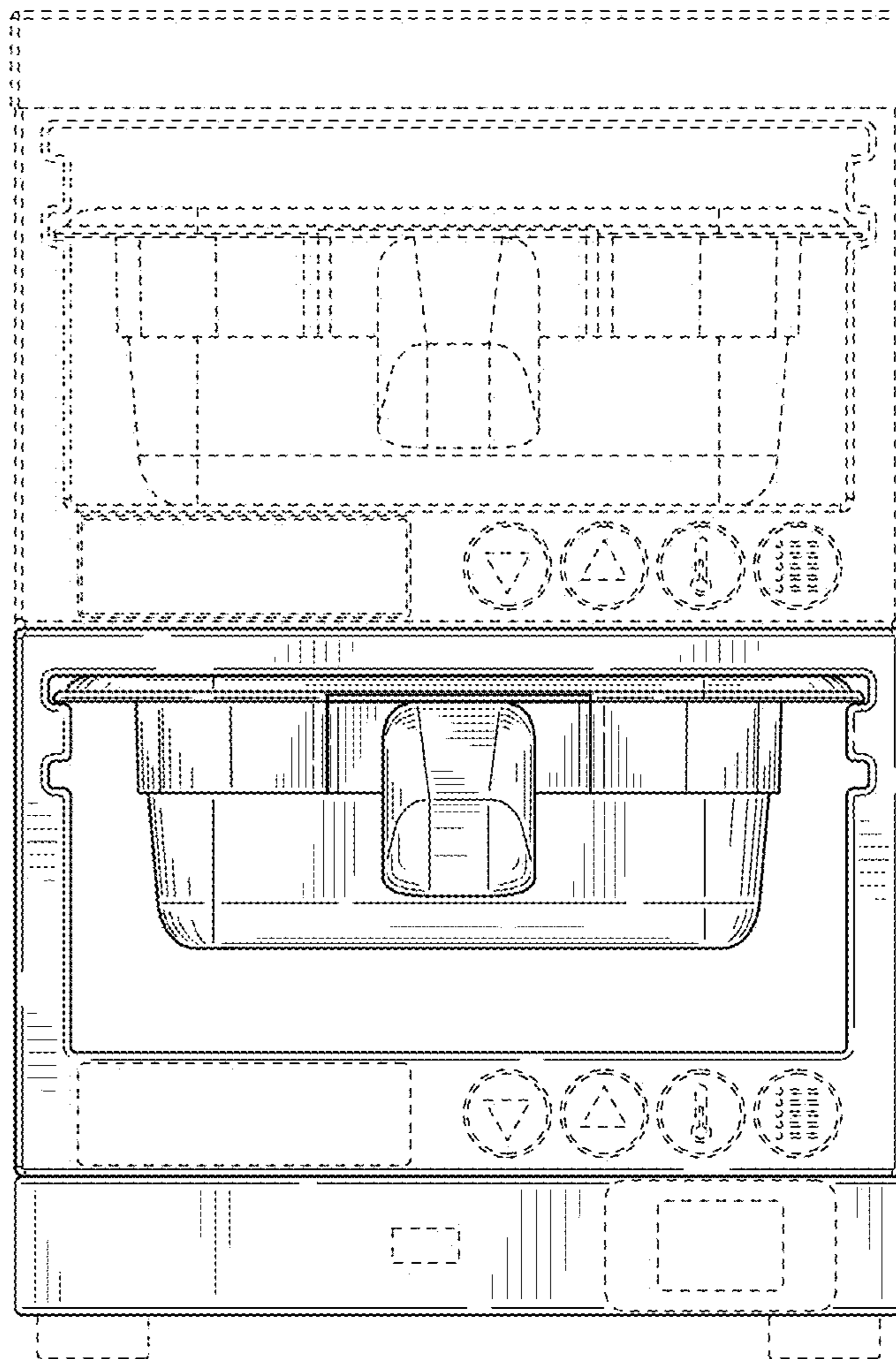


FIG. 9



FIG. 10

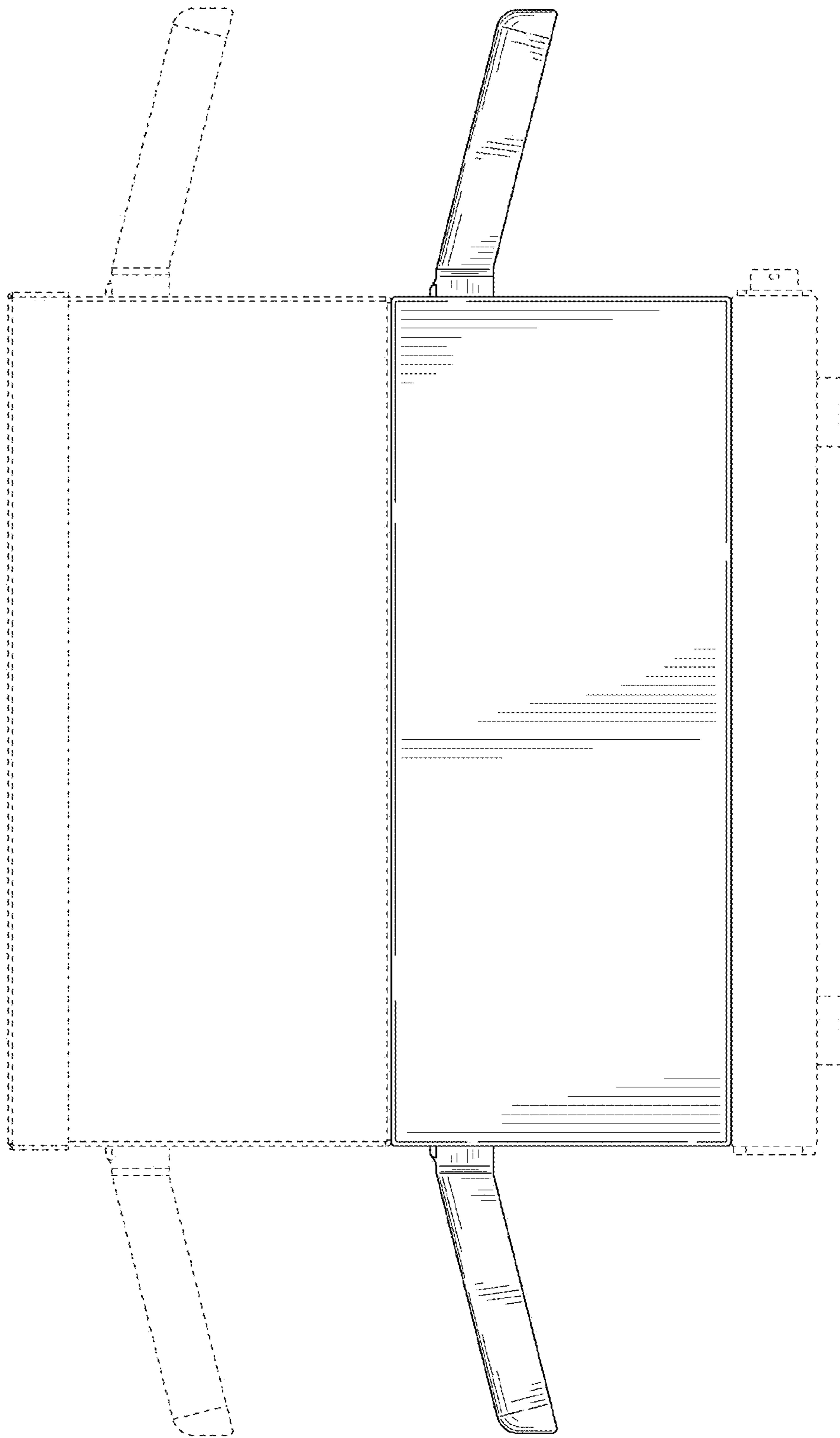


FIG. 11

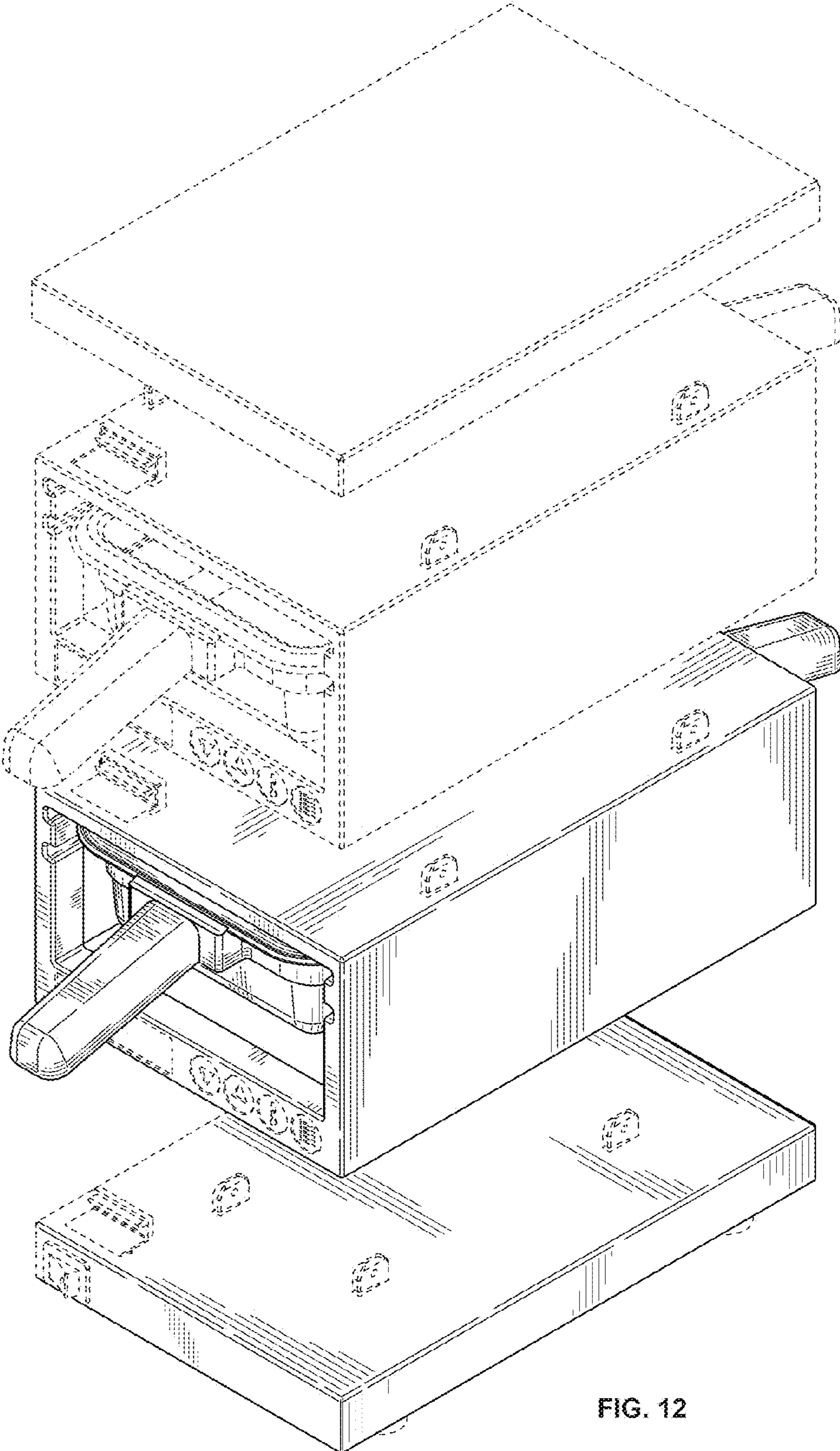


FIG. 12