



US00D716094S

(12) **United States Design Patent**
Wang

(10) **Patent No.:** **US D716,094 S**

(45) **Date of Patent:** **** Oct. 28, 2014**

(54) **COLLAPSIBLE LIQUID DISPENSER**

(71) Applicant: **Xiaoyong Wang**, TaiZhou (CN)

(72) Inventor: **Xiaoyong Wang**, TaiZhou (CN)

(**) Term: **14 Years**

(21) Appl. No.: **29/460,621**

(22) Filed: **Jul. 12, 2013**

(30) **Foreign Application Priority Data**

May 16, 2013 (CN) 2013 3 0180987

(51) **LOC (10) Cl.** **07-01**

(52) **U.S. Cl.**
USPC **D7/306; D7/313**

(58) **Field of Classification Search**
CPC A47J 31/00
USPC D7/313, 306, 397, 307, 300, 512;
222/183, 146.6; 220/374; 62/3.64
See application file for complete search history.

(56) **References Cited**

U.S. PATENT DOCUMENTS

1,260,779 A * 3/1918 Koos 220/8
D210,307 S * 2/1968 Branscum D7/313
4,170,320 A * 10/1979 Eagar 222/146.6
D329,169 S * 9/1992 Robbins, III D7/397
D335,744 S * 5/1993 Small et al. D34/39
D360,100 S * 7/1995 Van Den Berghe D7/306

D370,388 S * 6/1996 Cusick et al. D7/512
D378,055 S * 2/1997 Waldon et al. D7/313
5,813,577 A * 9/1998 Lee 222/212
D490,654 S * 6/2004 Allen et al. D7/515
D526,827 S * 8/2006 Allen et al. D7/306
D529,749 S * 10/2006 Allen et al. D7/306

* cited by examiner

Primary Examiner — Marianne Pandozzi

(74) *Attorney, Agent, or Firm* — Michael D. Eisenberg;
Jeanette Meng Nakagawa

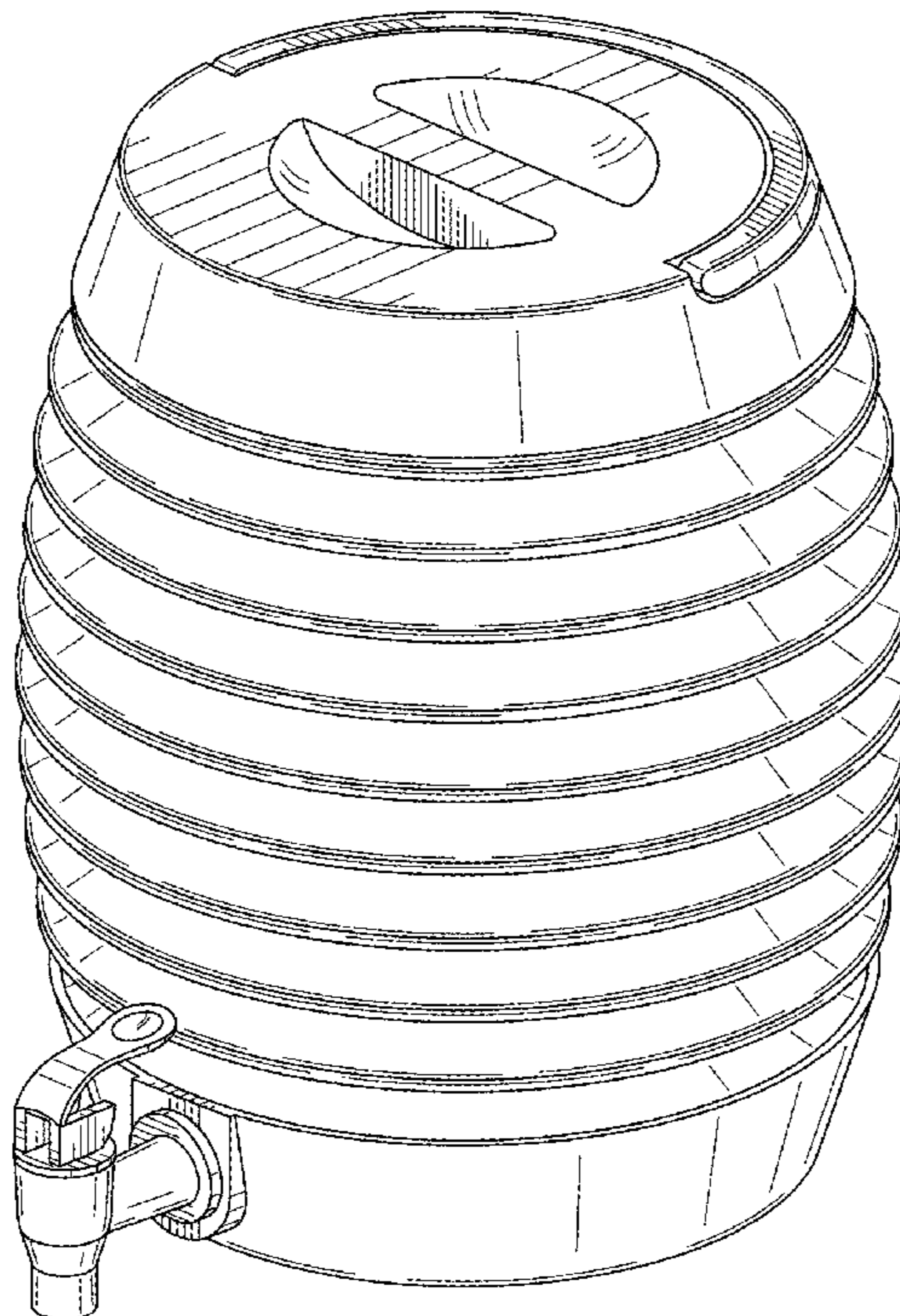
(57) **CLAIM**

The ornamental design for a collapsible liquid dispenser, as shown and described.

DESCRIPTION

FIG. 1 is a perspective view from above of a collapsible liquid dispenser showing my new design;
FIG. 2 is a front view thereof;
FIG. 3 is a right side view thereof;
FIG. 4 is a left side view thereof;
FIG. 5 is a back view thereof;
FIG. 6 is a top view thereof;
FIG. 7 is a bottom view thereof; and,
FIG. 8 is a perspective view from above showing the collapsible liquid dispenser in a collapsed mode.

1 Claim, 5 Drawing Sheets



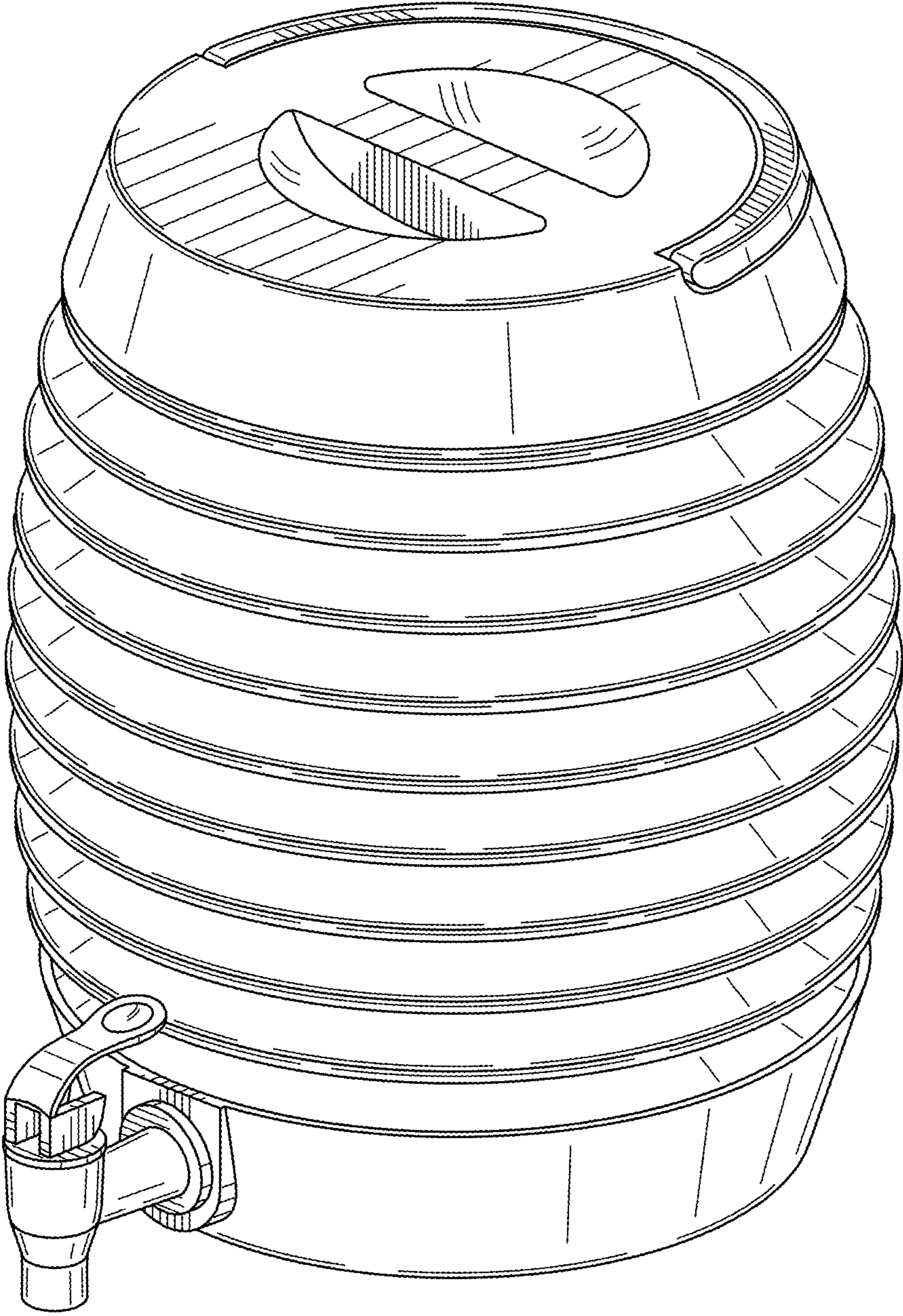


FIG. 1

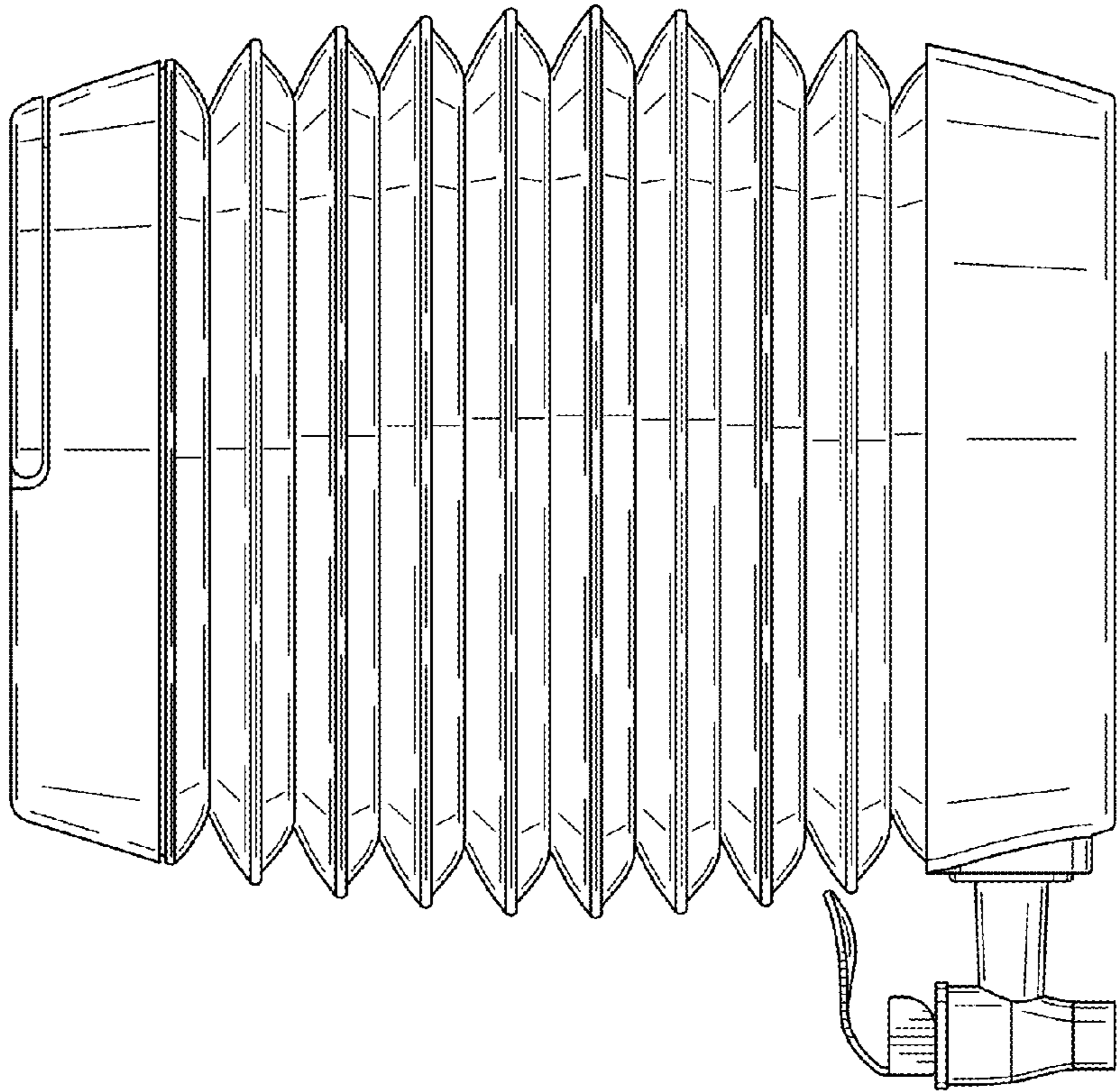


FIG. 3

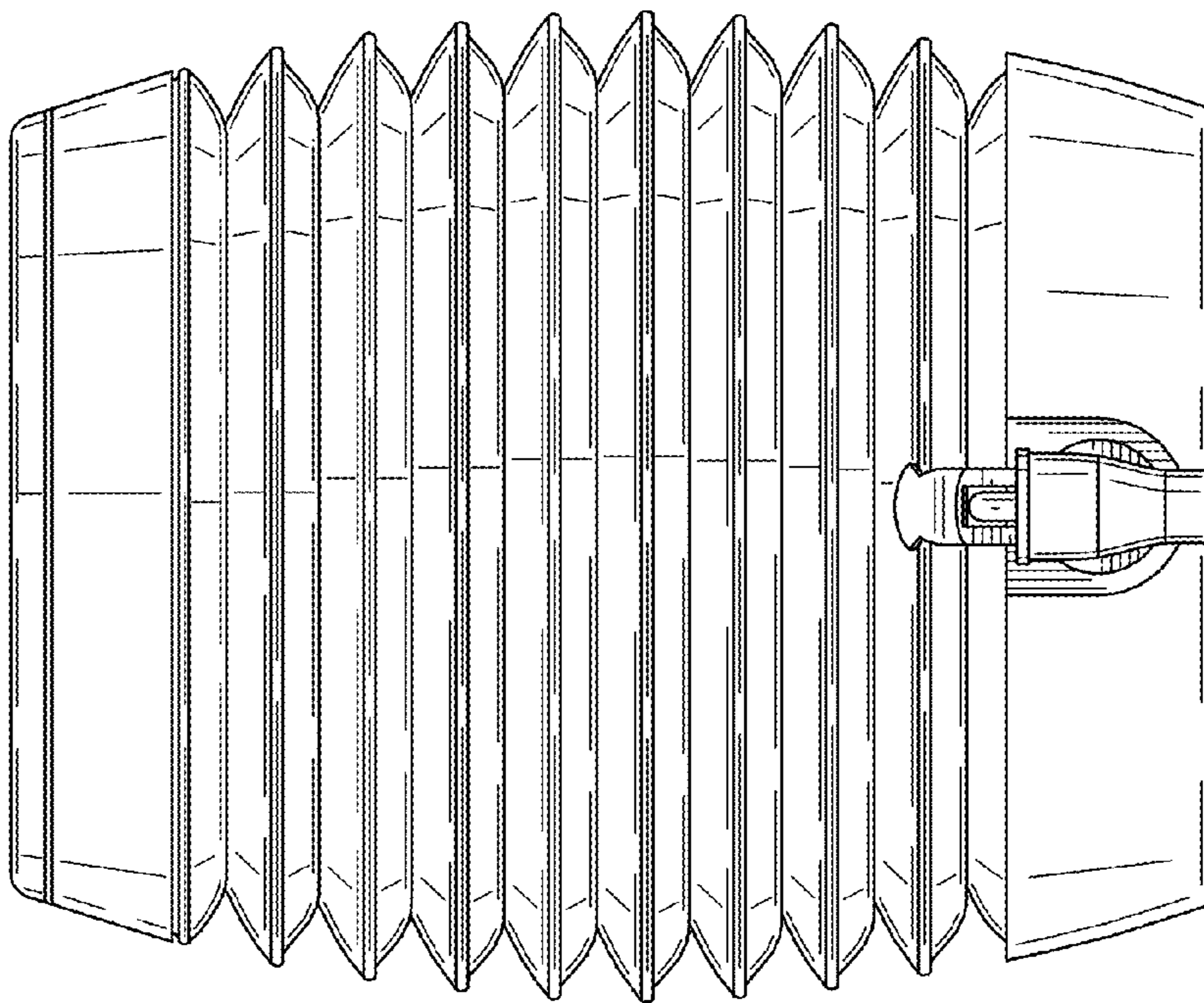


FIG. 2

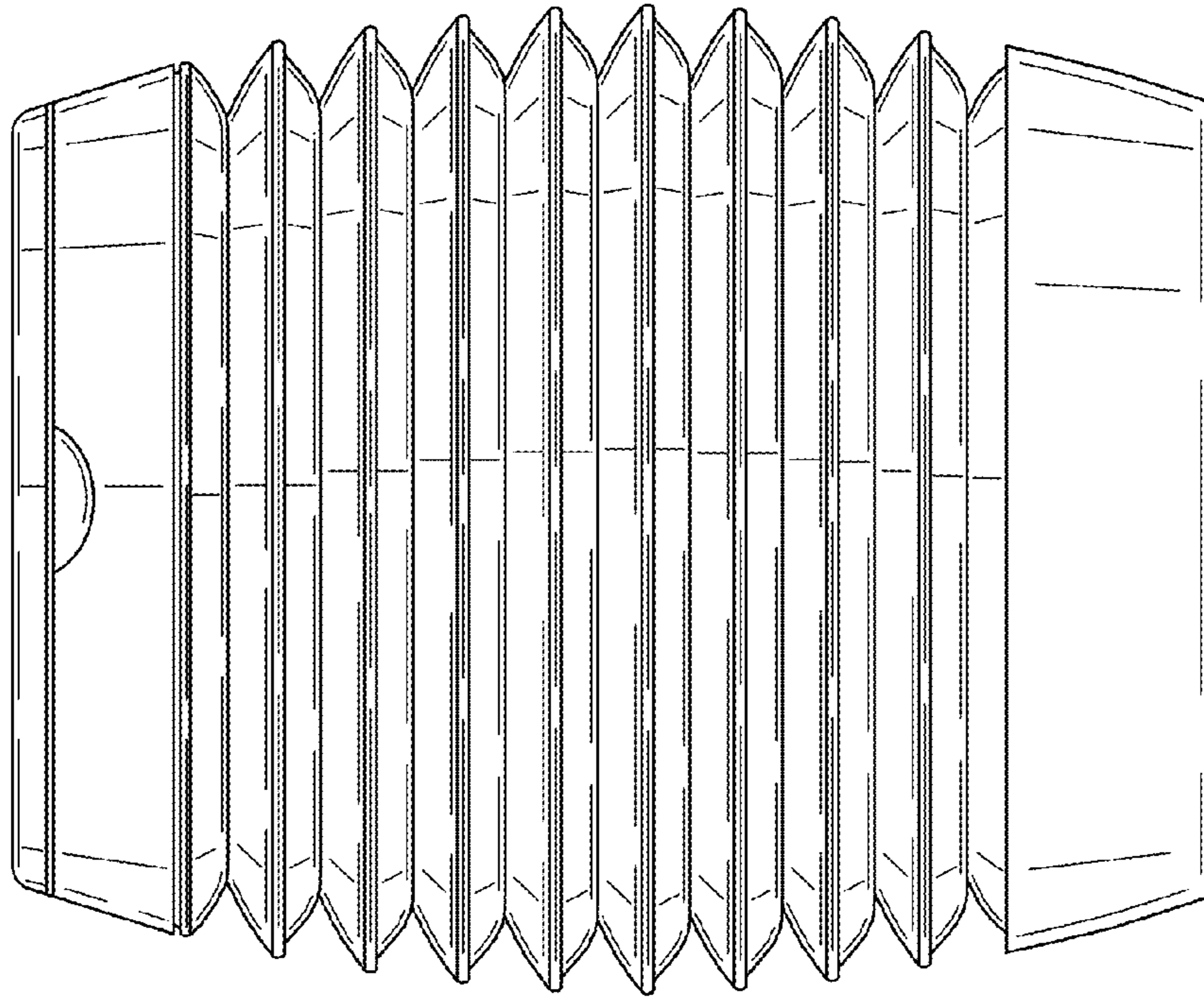


FIG. 5

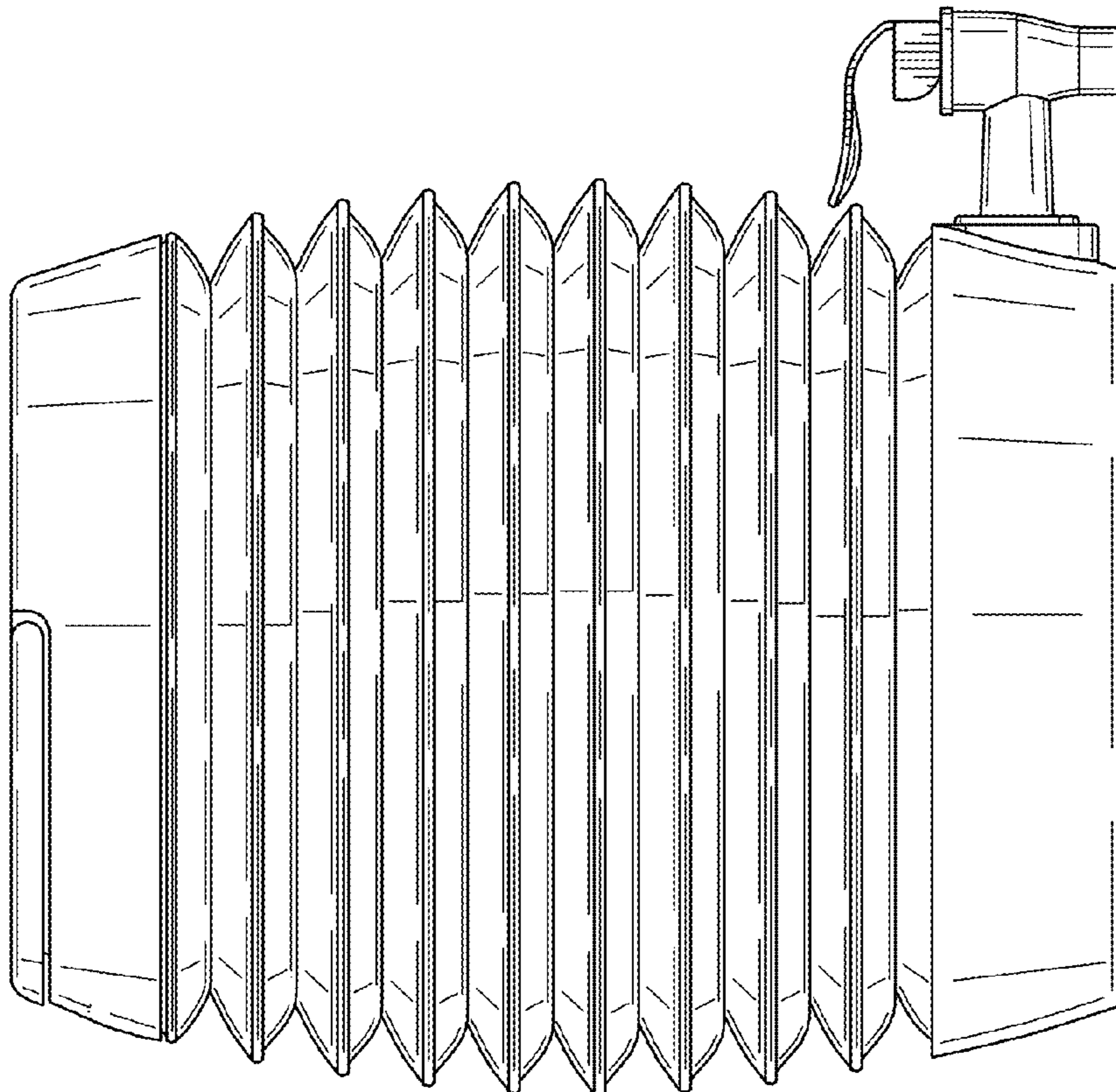


FIG. 4

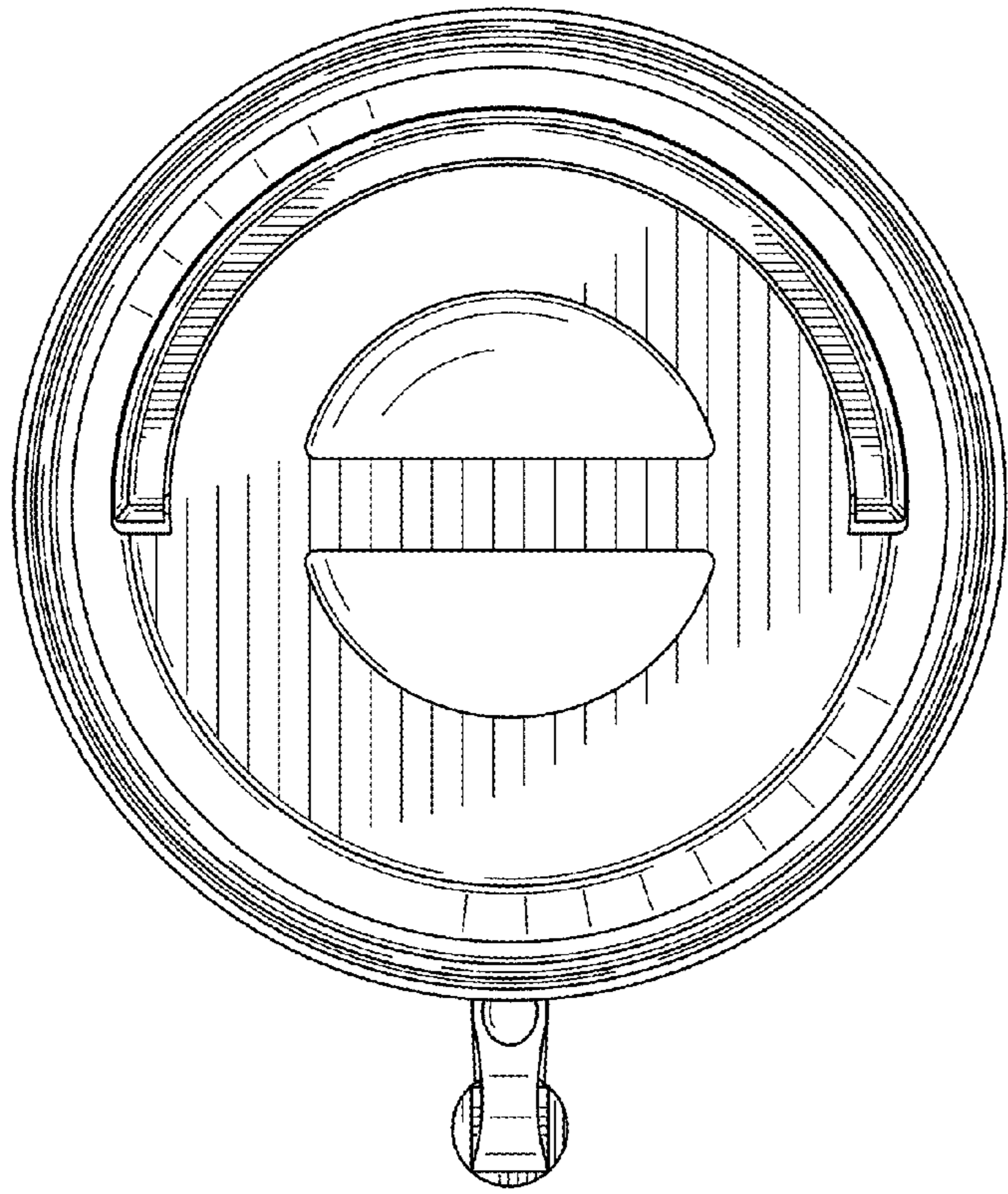


FIG. 6

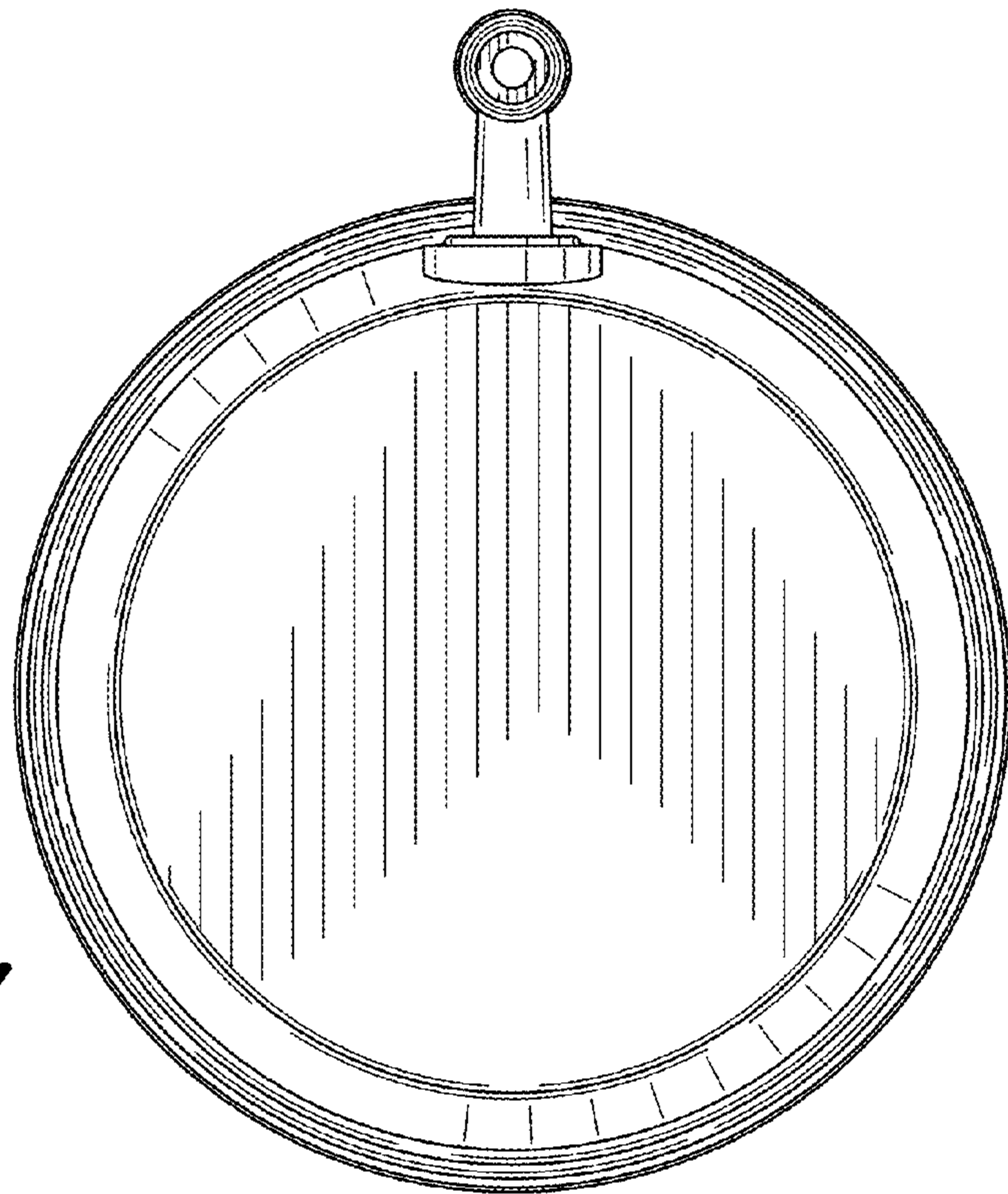


FIG. 7

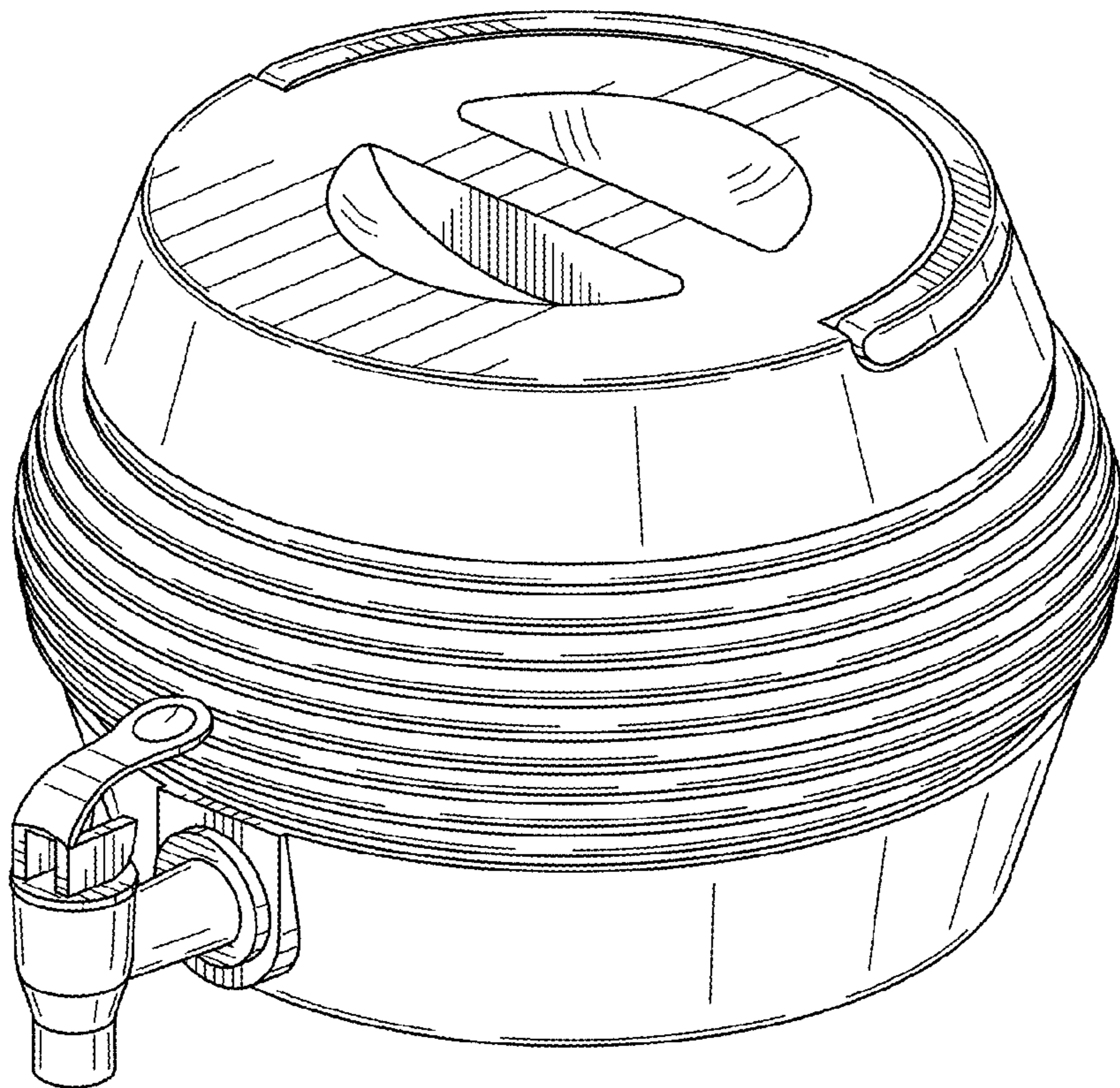


FIG. 8