



US00D716091S

(12) **United States Design Patent**  
**Swy**

(10) **Patent No.:** **US D716,091 S**

(45) **Date of Patent:** **\*\* Oct. 28, 2014**

(54) **CHAIR BASE**

(71) Applicant: **Michigan Tube Swagers & Fabricators, Inc.**, Temperance, MI (US)

(72) Inventor: **Joshua Paul Swy**, Lambertville, MI (US)

(73) Assignee: **Michigan Tube Swagers & Fabricators, Inc.**, Temperance, MI (US)

(\*\*) Term: **14 Years**

(21) Appl. No.: **29/449,205**

(22) Filed: **Mar. 14, 2013**

(51) **LOC (10) Cl.** ..... **06-06**

(52) **U.S. Cl.**  
USPC ..... **D6/708**

(58) **Field of Classification Search**  
USPC ..... D6/334-336, 344-356, 360-381, 388, D6/403, 491-502, 692, 708, 711.1, 716, D6/716.2-716.4, 717; 297/239, 285, 296, 297/297, 440.15, 445.1, 446.1, 452.2, 297/452.38, 452.48  
See application file for complete search history.

(56) **References Cited**

**U.S. PATENT DOCUMENTS**

3,102,733	A	9/1963	Burnett	
3,203,731	A	8/1965	Krueger	
D213,438	S	3/1969	Koch	
3,856,352	A	12/1974	Jacobi, Sr.	
4,913,496	A *	4/1990	Oke	297/440.15
D333,733	S *	3/1993	Sammons	D6/334
5,524,963	A	6/1996	Barile	
D401,769	S	12/1998	Kaiser	

(Continued)

**OTHER PUBLICATIONS**

MTS Alpha/Omega Steel Series, Model #577 (believed to have been offered for sale, publicly used, and/or published prior to the filing date of this application).

(Continued)

*Primary Examiner* — Ricky Pham

(74) *Attorney, Agent, or Firm* — Gifford, Krass, Sprinkle, Anderson & Citkowski, P.C.; Douglas L. Wathen

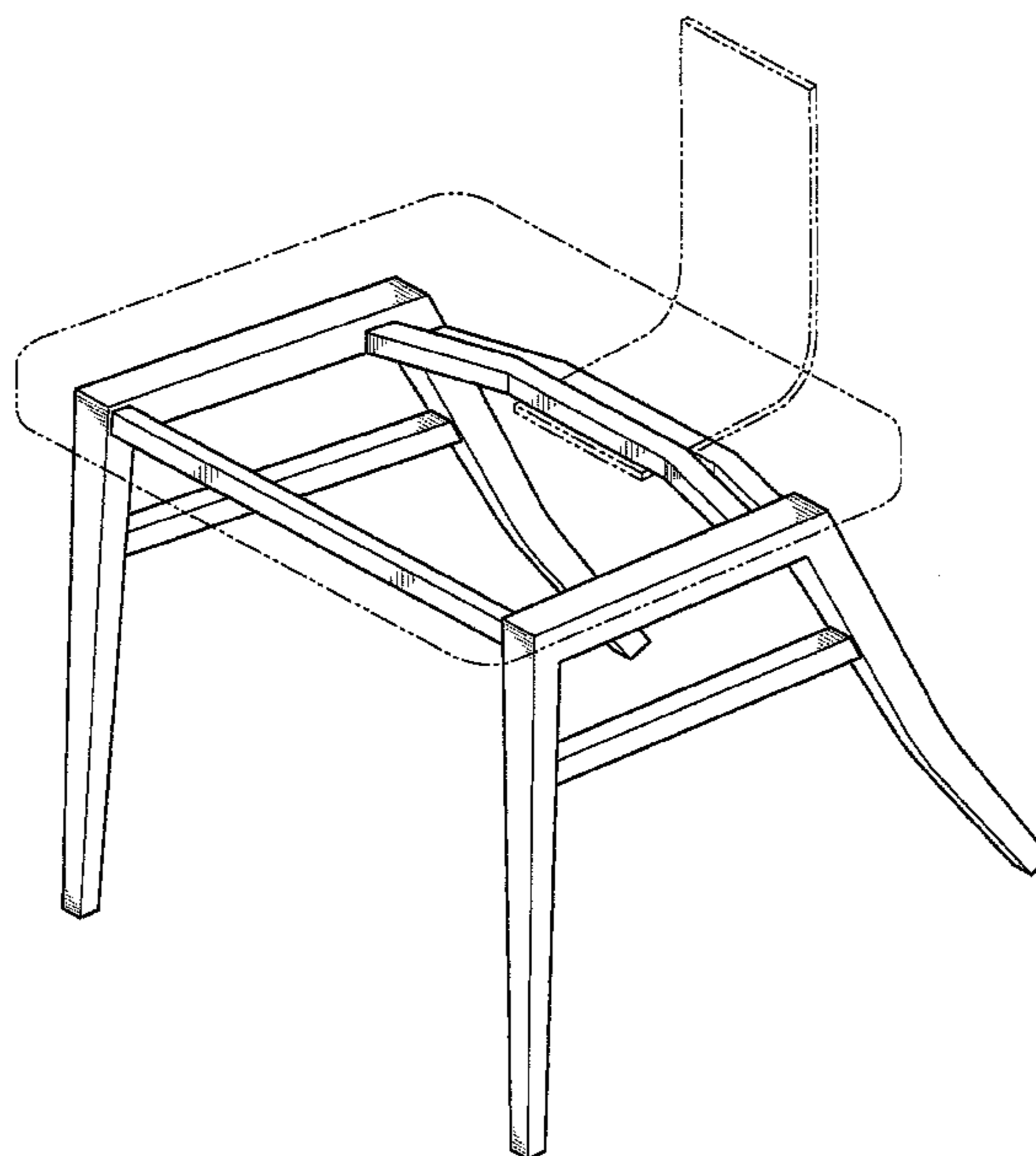
(57) **CLAIM**

The ornamental design for a chair base, as shown and described.

**DESCRIPTION**

FIG. 1 is a perspective view of a chair base in accordance with a first embodiment of the present invention; FIG. 2 is a front view of the chair base of FIG. 1; FIG. 3 is a rear view of the chair base of FIGS. 1 and 2; FIG. 4 is a top view of the chair base of FIGS. 1-3; FIG. 5 is a bottom view of the chair base of FIGS. 1-4; FIG. 6 is a side view of the chair base of FIGS. 1-5, the opposite side being a mirror image thereof; FIG. 7 is a perspective view of a chair base in accordance with a second embodiment of the present invention; FIG. 8 is a front view of the chair base of FIG. 7; FIG. 9 is a rear view of the chair base of FIGS. 7 and 8; FIG. 10 is a top view of the chair base of FIGS. 7-9; FIG. 11 is a bottom view of the chair base of FIGS. 7-10; and, FIG. 12 is a side view of the chair base of FIGS. 7-11. The broken lines shown in the Figures are for environmental purposes only and form no part of the claimed design.

**1 Claim, 8 Drawing Sheets**



(56)

References Cited

U.S. PATENT DOCUMENTS

D413,029 S \* 8/1999 Caruso ..... D6/374  
 D421,344 S 3/2000 Kaiser  
 D442,399 S \* 5/2001 Markus ..... D6/500  
 D486,984 S \* 2/2004 Barile et al. .... D6/500  
 D486,985 S \* 2/2004 Barile, Sr. .... D6/500  
 6,715,838 B1 \* 4/2004 Pflaster et al. .... 297/452.2  
 6,820,934 B2 \* 11/2004 Ware et al. .... 297/285  
 D502,030 S \* 2/2005 Barile, Sr. .... D6/500  
 6,860,556 B2 \* 3/2005 Barile et al. .... 297/239  
 D508,339 S \* 8/2005 Astle ..... D6/374  
 D509,084 S 9/2005 Barile, Jr.  
 7,052,083 B2 5/2006 Peitz et al.  
 D524,071 S \* 7/2006 Brooks ..... D6/379  
 D525,056 S 7/2006 Muller  
 D526,823 S 8/2006 Muller  
 D574,622 S 8/2008 Neil  
 D578,788 S 10/2008 Ware  
 D580,673 S \* 11/2008 Wright et al. .... D6/374  
 D602,278 S 10/2009 Kubryk  
 D602,279 S 10/2009 Kubryk  
 D603,179 S 11/2009 Kubryk  
 D607,226 S 1/2010 Kubryk  
 D607,655 S 1/2010 Kubryk  
 D607,657 S 1/2010 Kubryk  
 D607,659 S 1/2010 Kubryk  
 D608,105 S 1/2010 Kubryk  
 D611,266 S 3/2010 Kubryk  
 D624,327 S 9/2010 Swy  
 D629,223 S 12/2010 Swy  
 D629,629 S \* 12/2010 Swy ..... D6/374  
 D629,630 S \* 12/2010 Saul ..... D6/380  
 D635,790 S \* 4/2011 Saul ..... D6/380  
 D647,719 S \* 11/2011 Kubryk ..... D6/374  
 D649,805 S \* 12/2011 Kubryk ..... D6/380  
 D650,196 S 12/2011 Swy et al.

8,152,237 B2 \* 4/2012 Saul ..... 297/239  
 D672,162 S \* 12/2012 Kubryk ..... D6/380  
 D672,981 S \* 12/2012 Kubryk ..... D6/374  
 D677,485 S \* 3/2013 Kubryk ..... D6/380  
 D693,588 S \* 11/2013 Moore ..... D6/375  
 D697,734 S \* 1/2014 Kubryk ..... D6/374  
 2004/0080199 A1 \* 4/2004 Ware et al. .... 297/285  
 2004/0217635 A1 \* 11/2004 Barile et al. .... 297/239  
 2005/0242651 A1 11/2005 Peitz et al.

OTHER PUBLICATIONS

MTS Alpha/Omega Steel Series, Model #578 (believed to have been offered for sale, publicly used, and/or published prior to the filing of this application).

Shelby Williams, The Premier Banquet Series, p. BQ-50 (believed to have been offered for sale, publicly used, and/or published prior to the filing date of this application).

Tri-Par, Square Tubular Steel Stacking Chairs, p. 8 (believed to have been offered for sale, publicly used, and/or published prior to the filing date of this application).

SKS, Tajam Banquet Chair (believed to have been offered for sale, publicly used, and/or published prior to the filing date of this application).

Global Allies, Richmond Stacking Chair (believed to have been offered for sale, publicly used, and/or published prior to the filing date of this application).

Global Allies, Oz Stacking Chair with Tapered Legs, 2008 (believed to have been offered for sale, publicly used, and/or published prior to the filing date of this application).

Printout from SKS Australia website: [www.sksaustralia.com.au/chairs.html](http://www.sksaustralia.com.au/chairs.html), dated Jul. 13, 2010 (believed to have been offered for sale, publicly used, and/or published prior to the filing date of this application).

\* cited by examiner

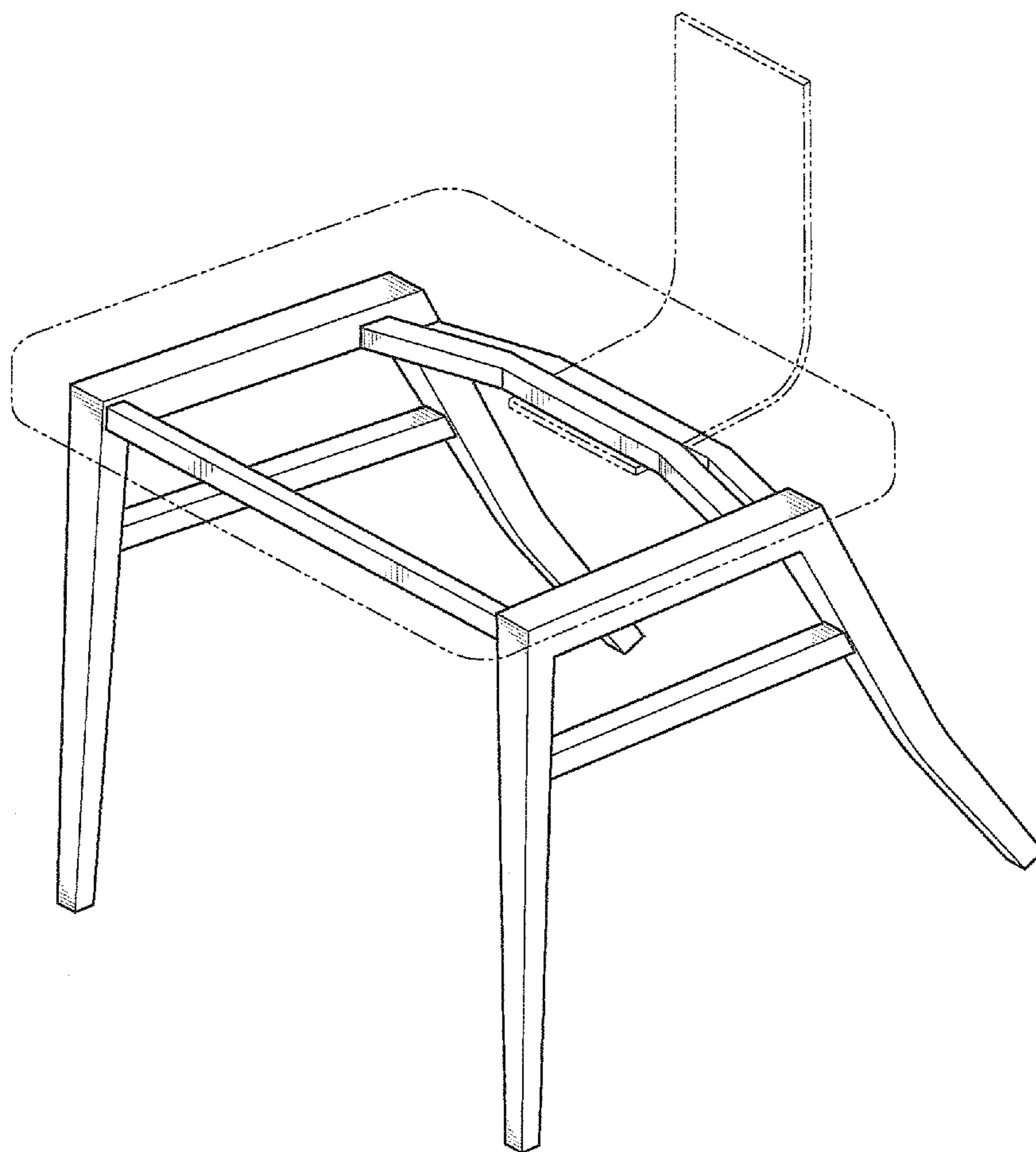


FIG. 1

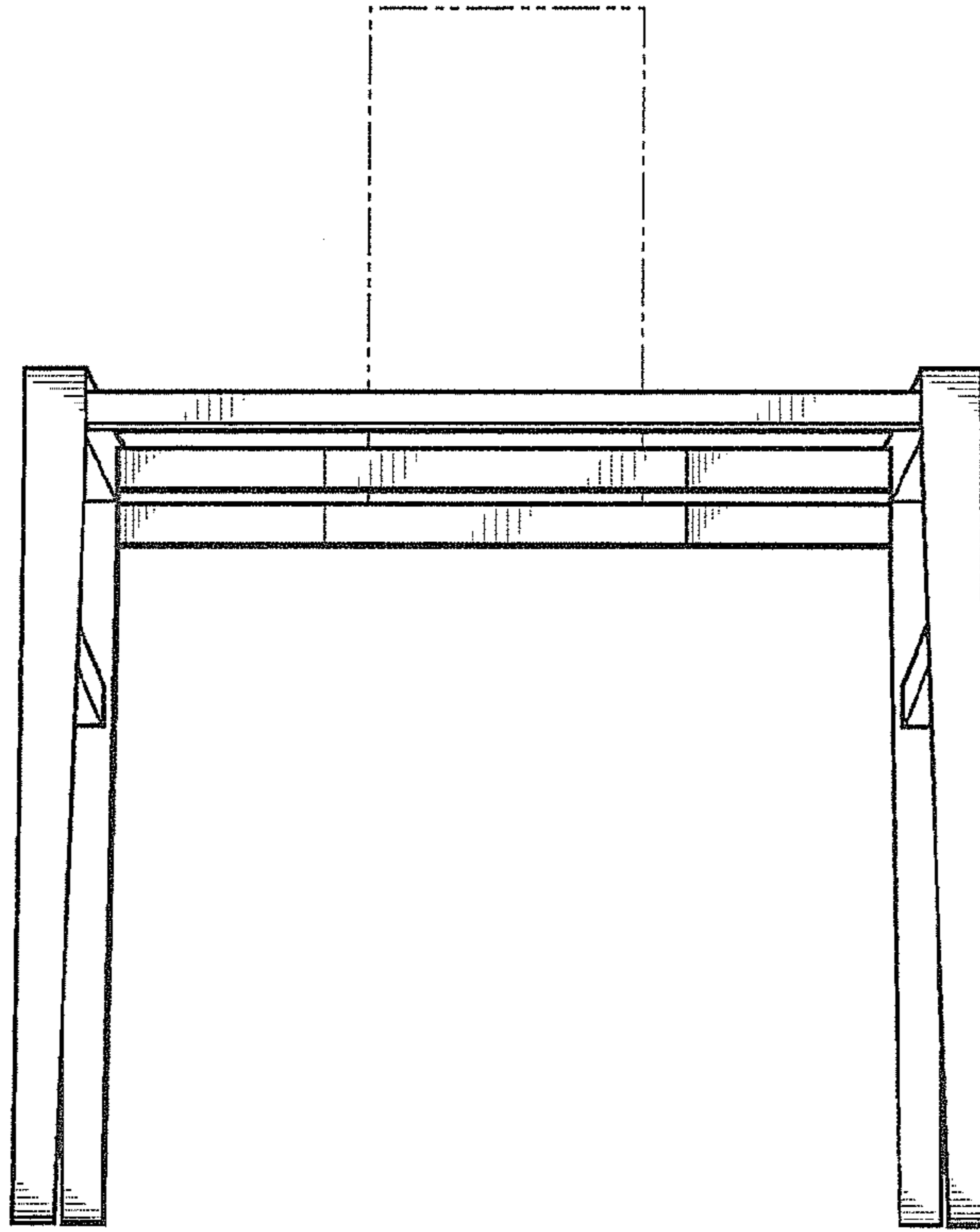


FIG. 2

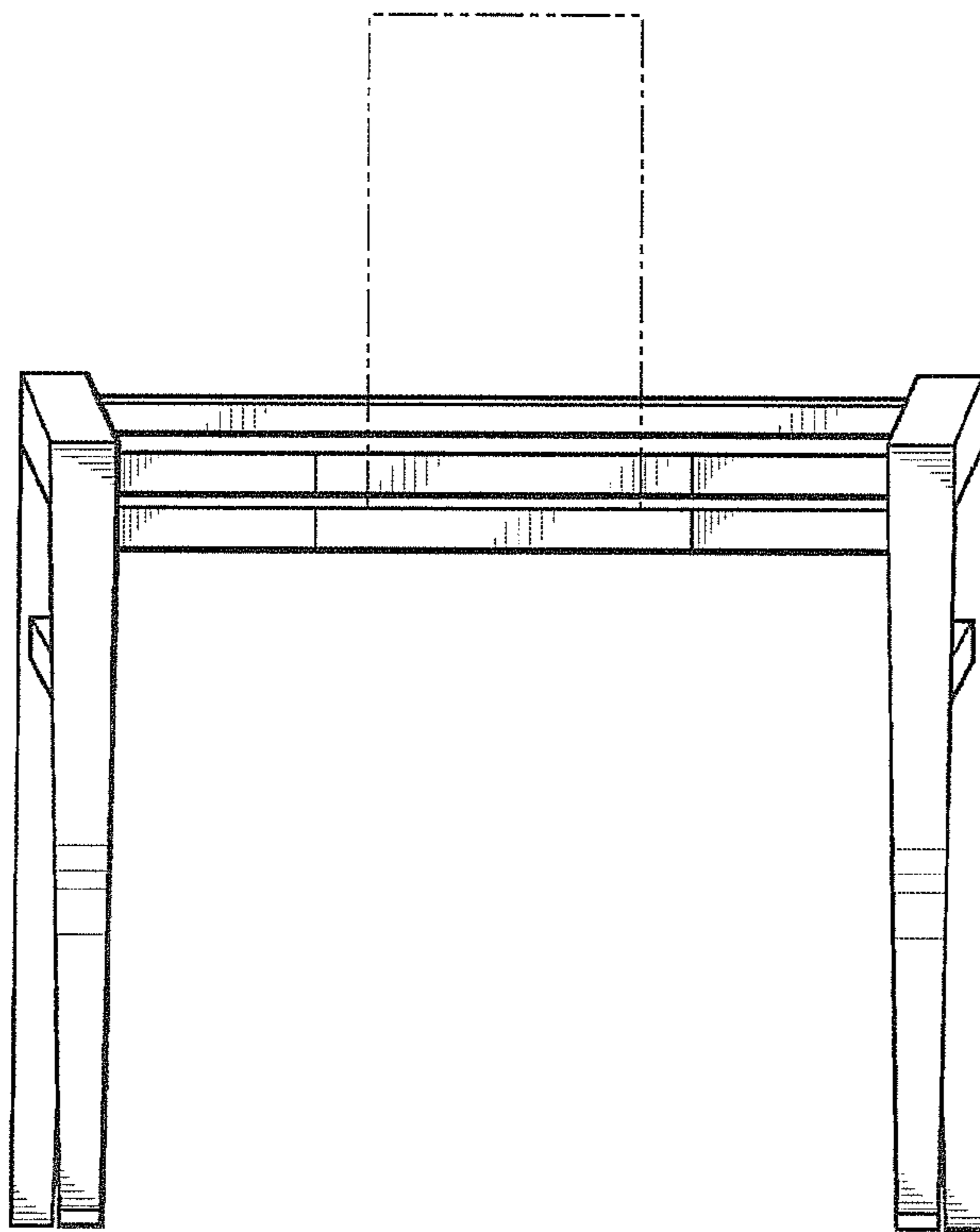


FIG. 3

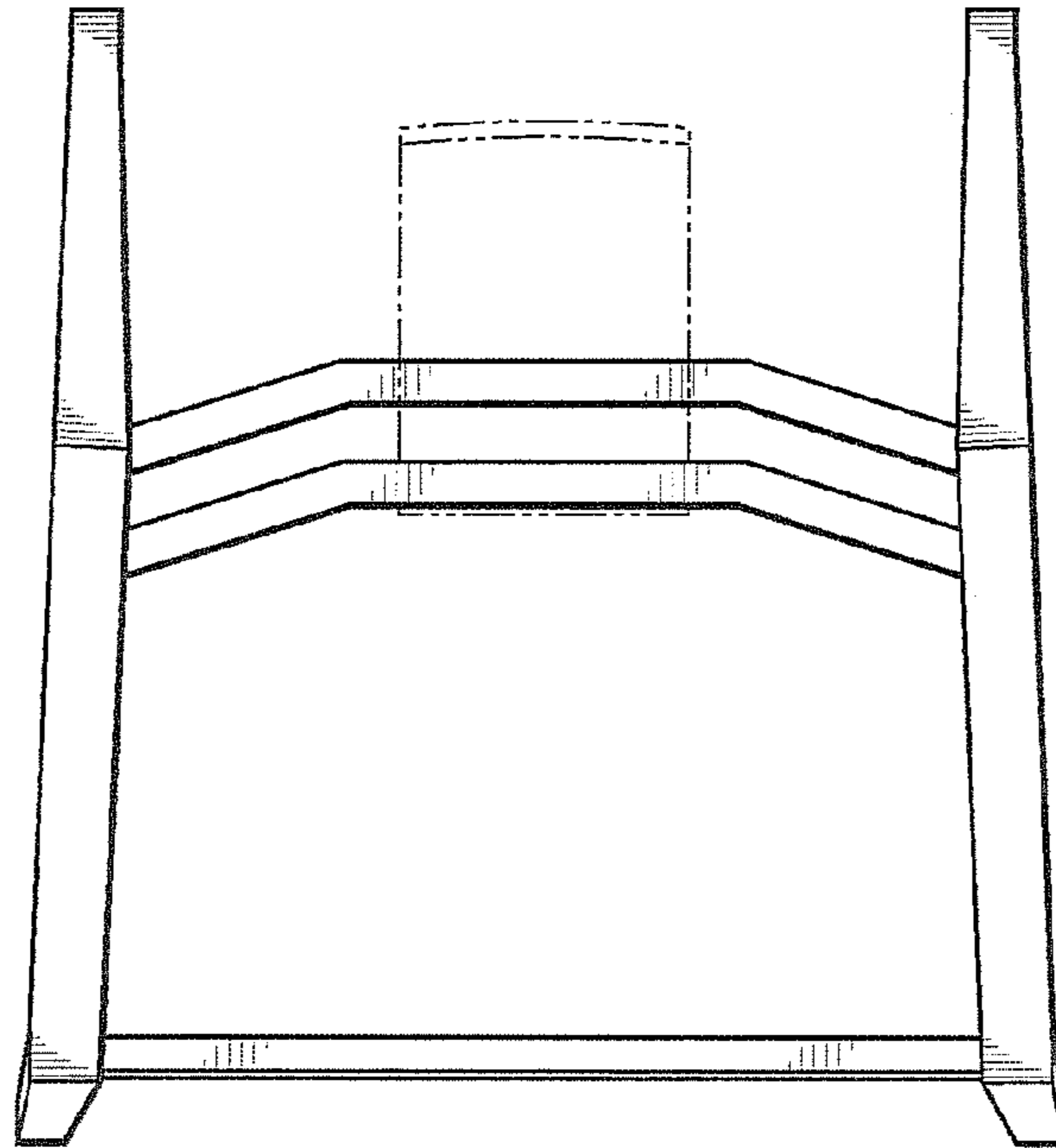


FIG. 4

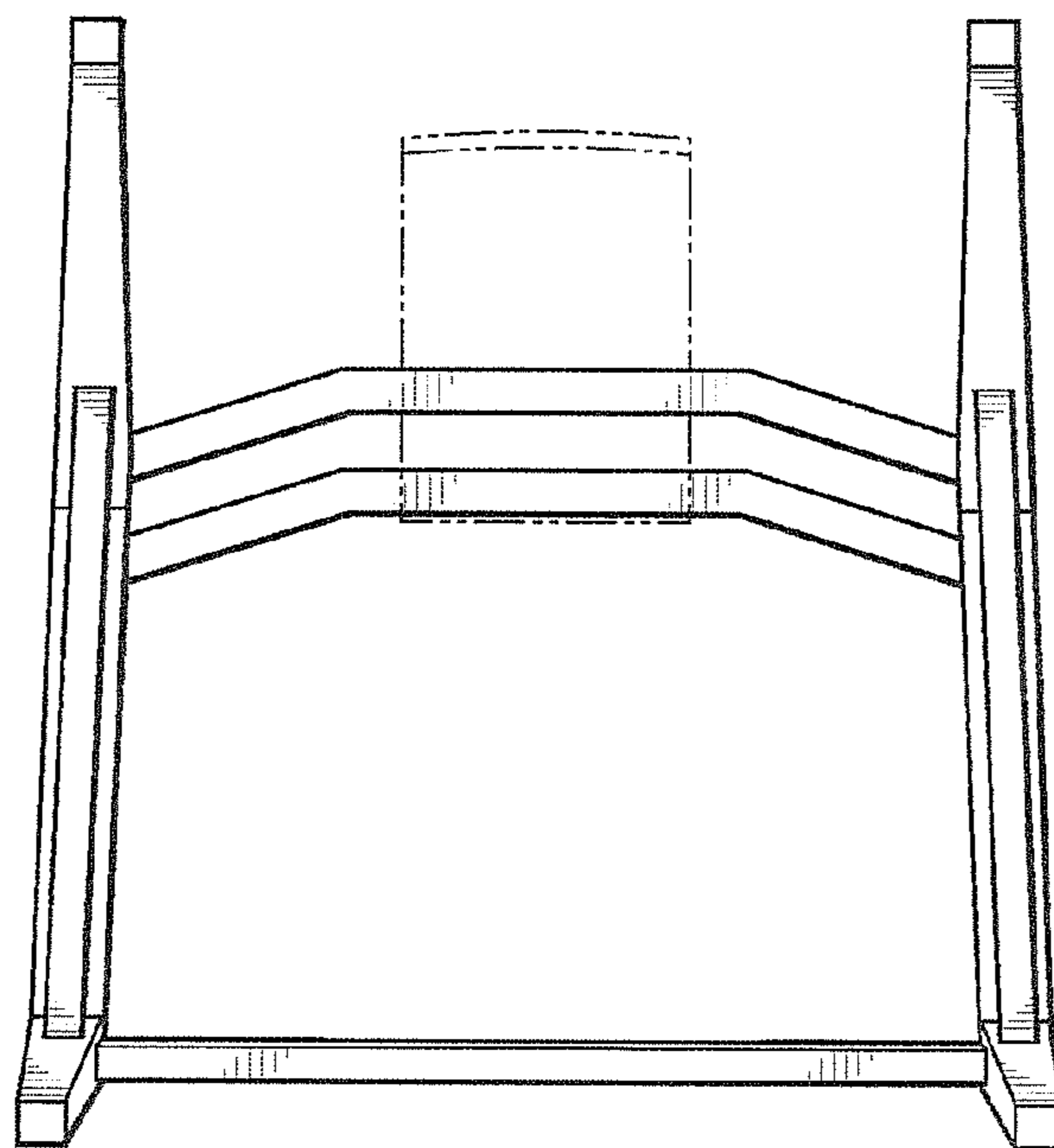


FIG. 5

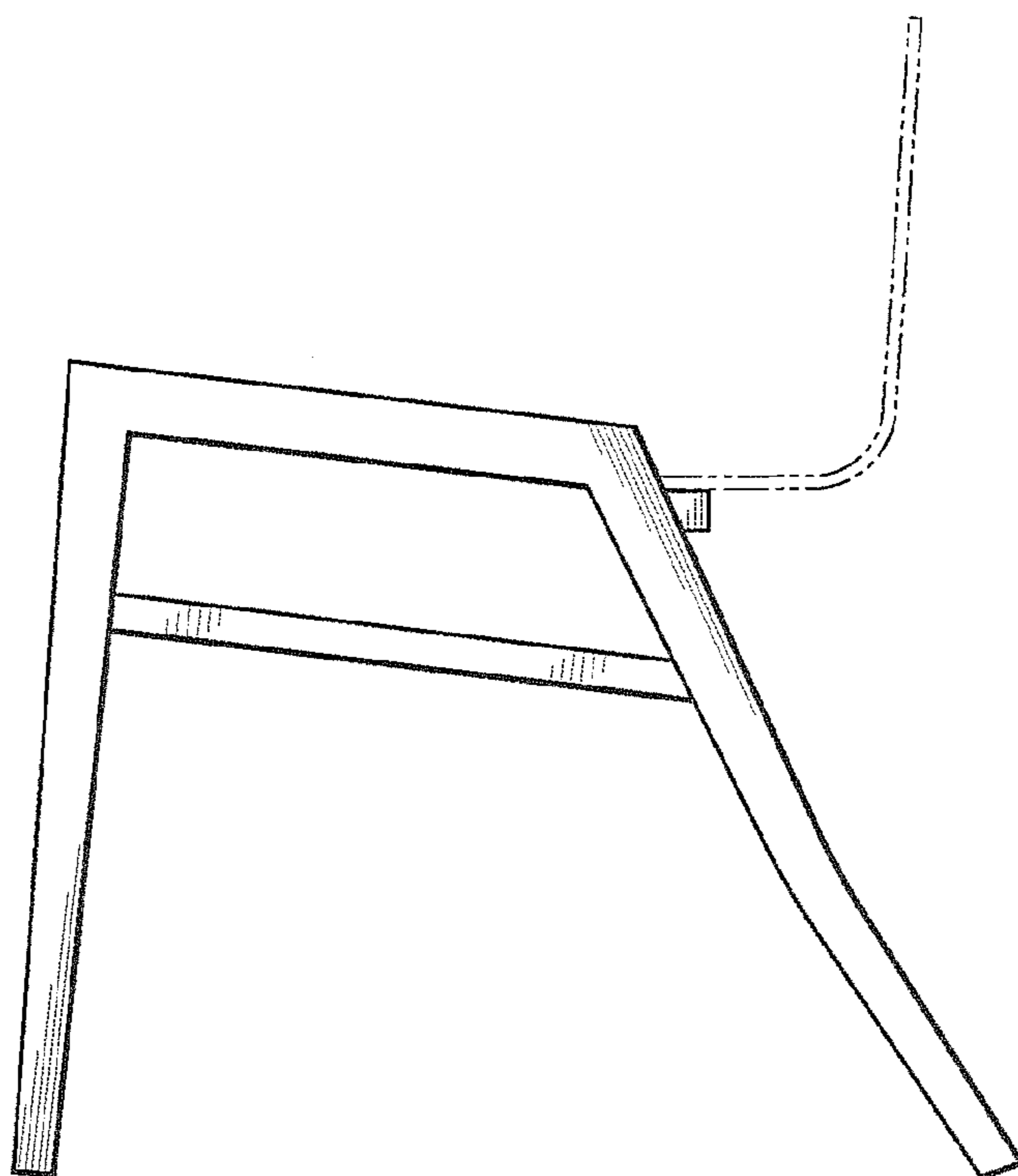


FIG. 6

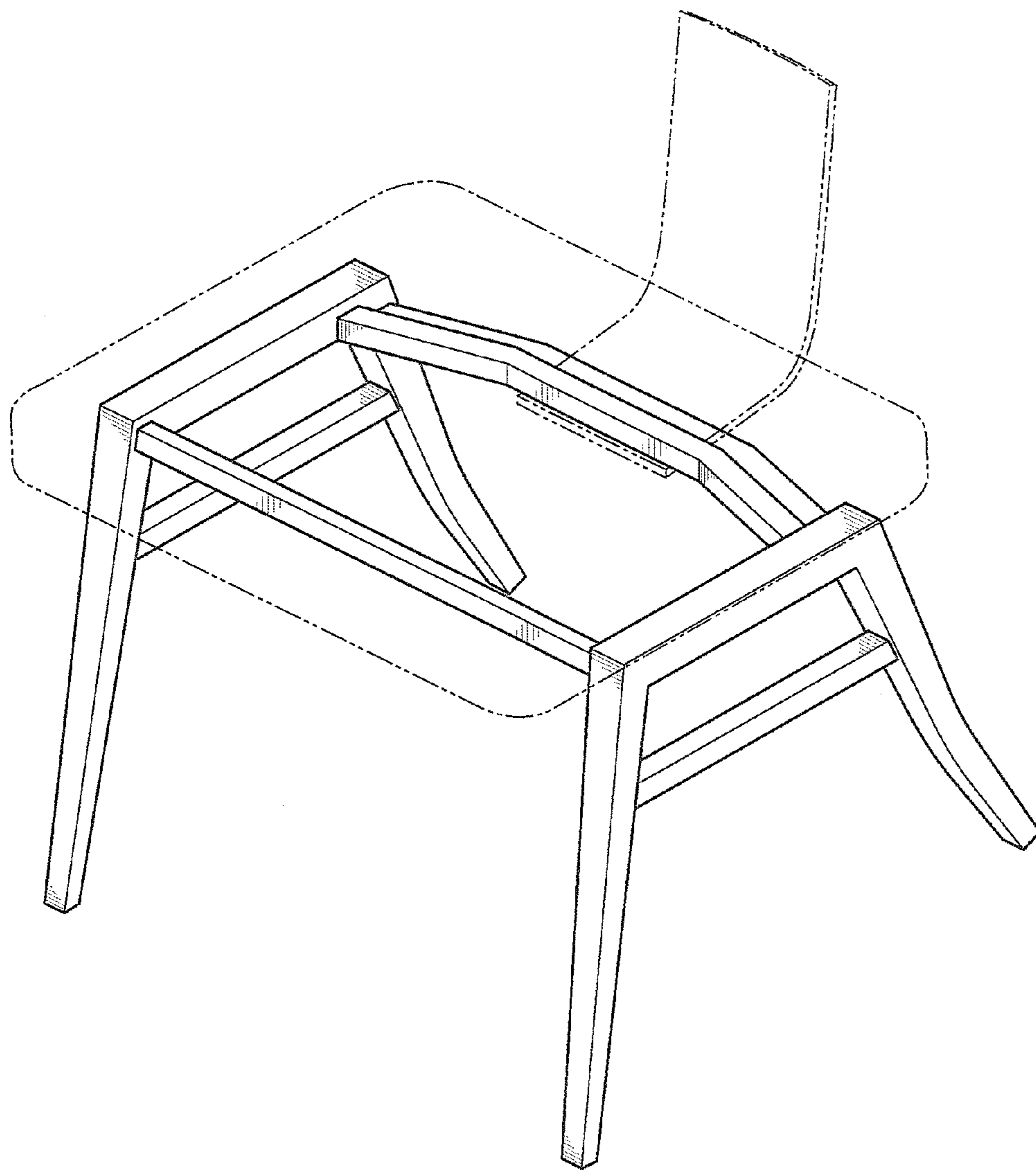


FIG. 7

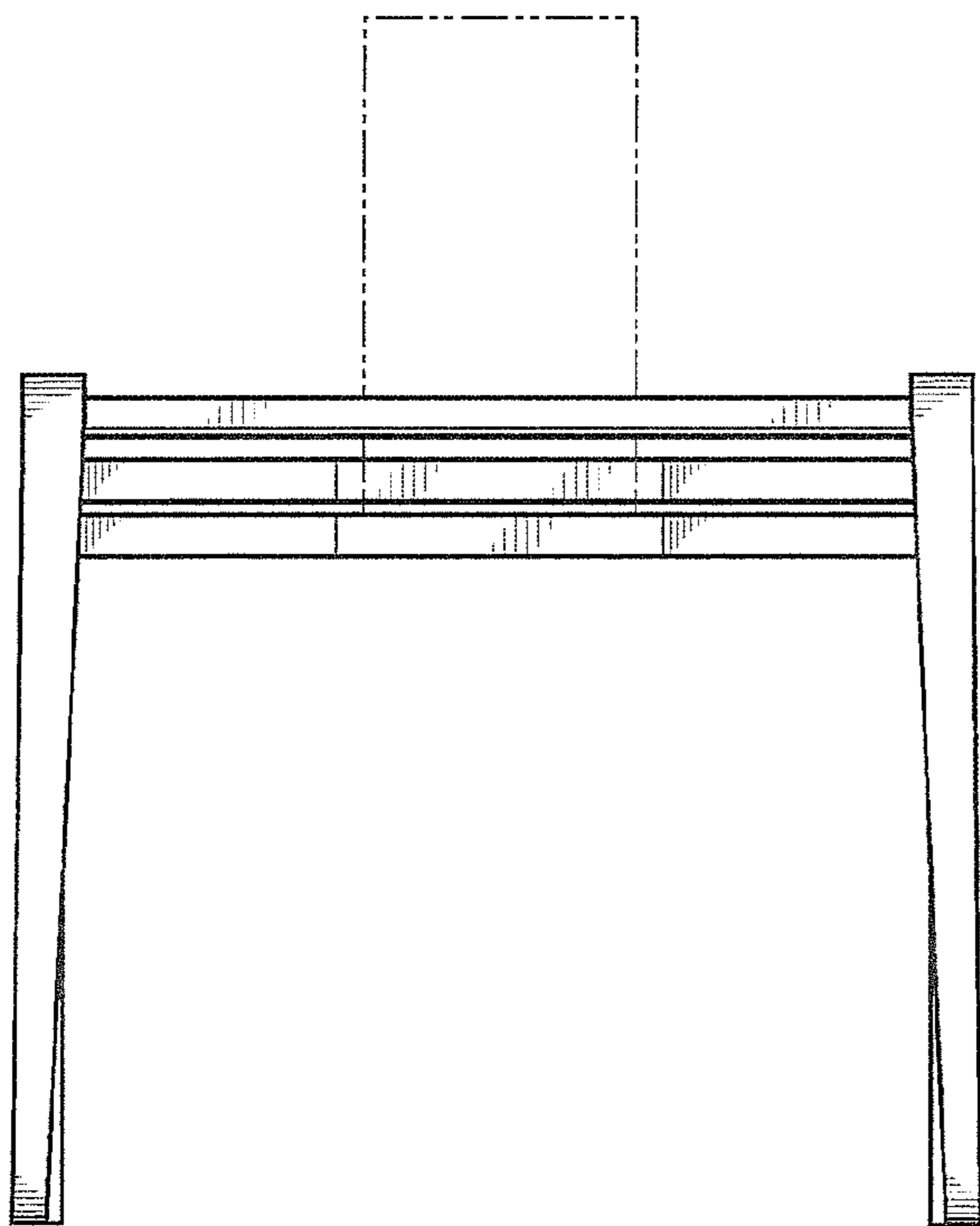


FIG. 8

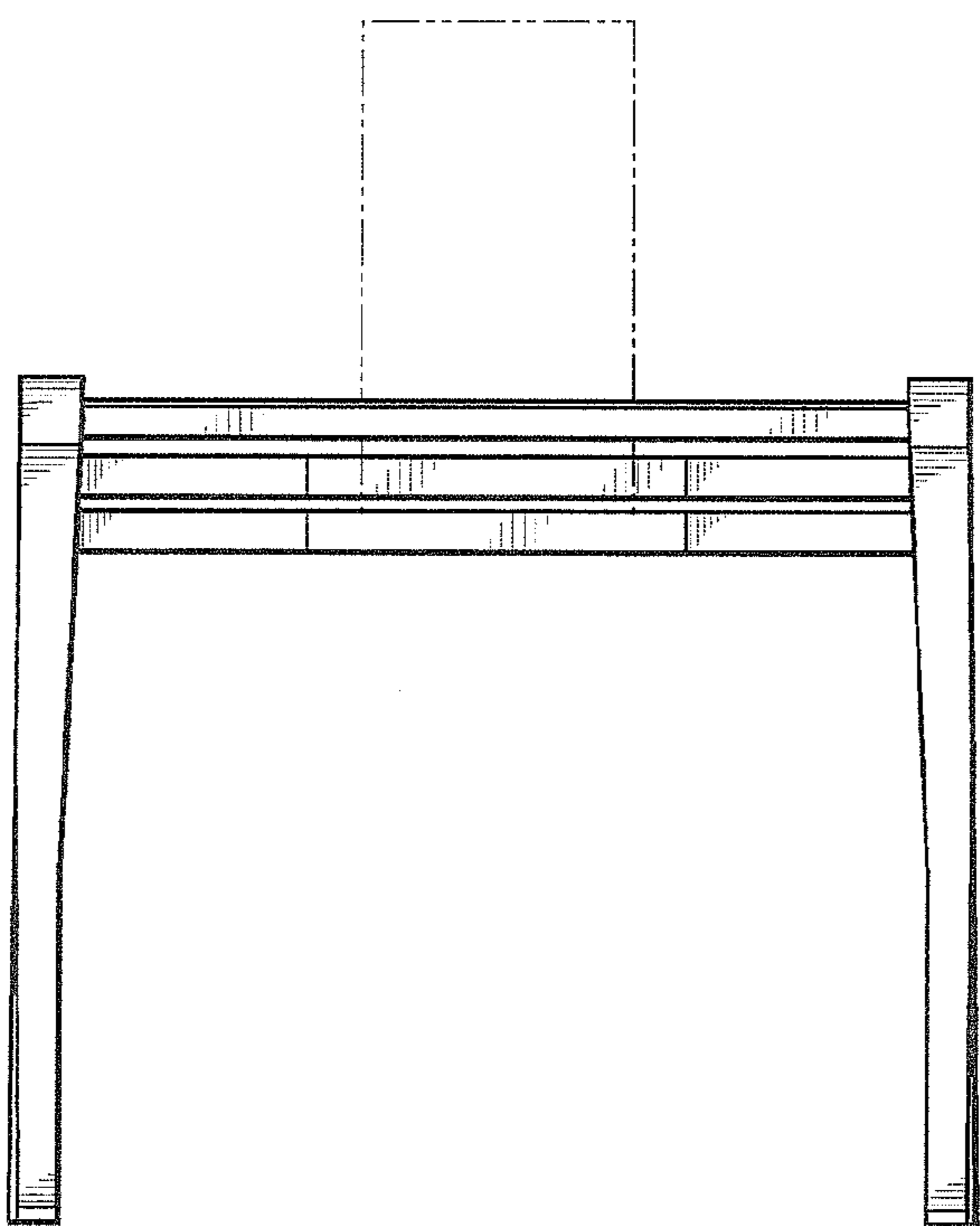


FIG. 9



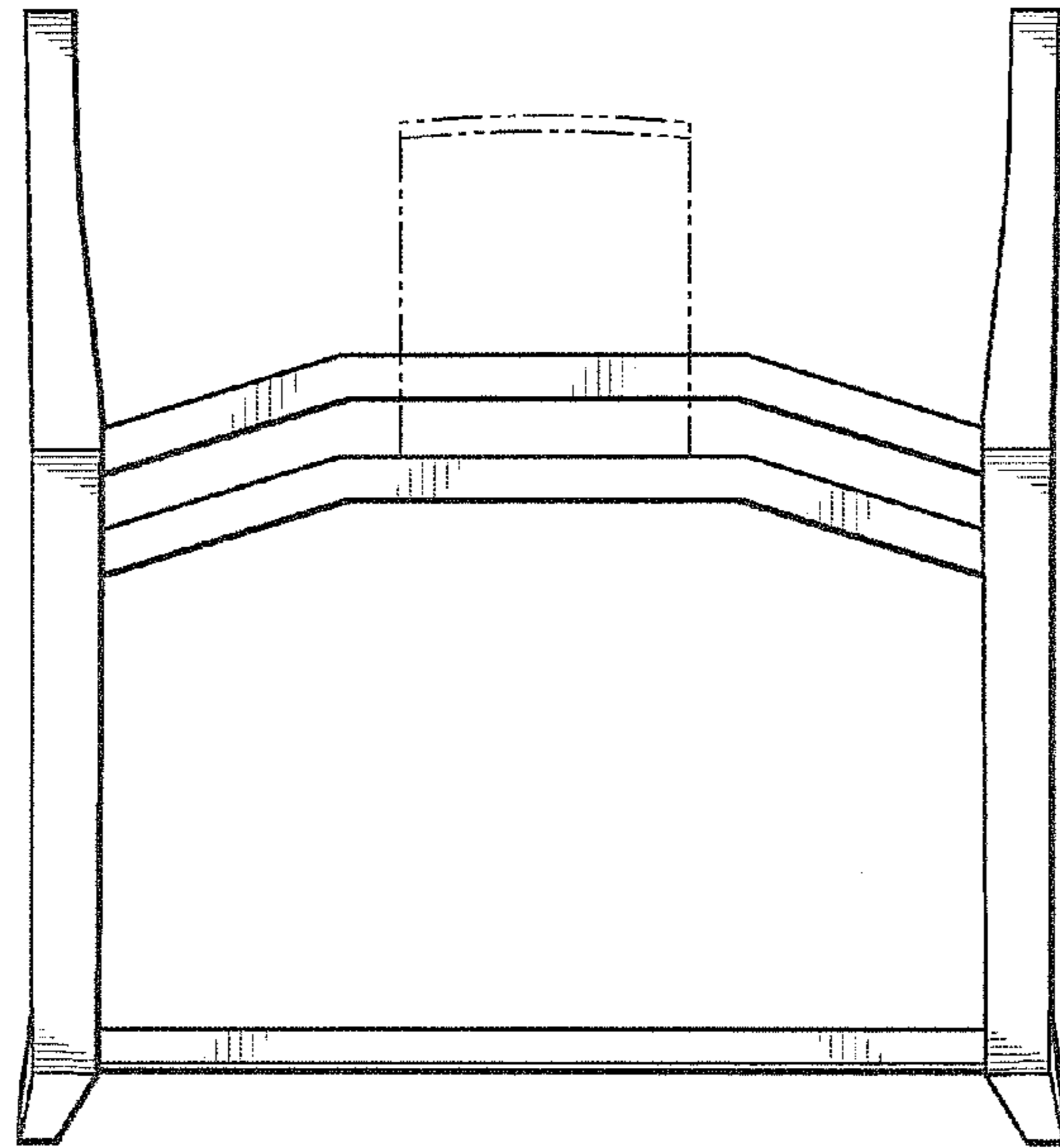


FIG. 10

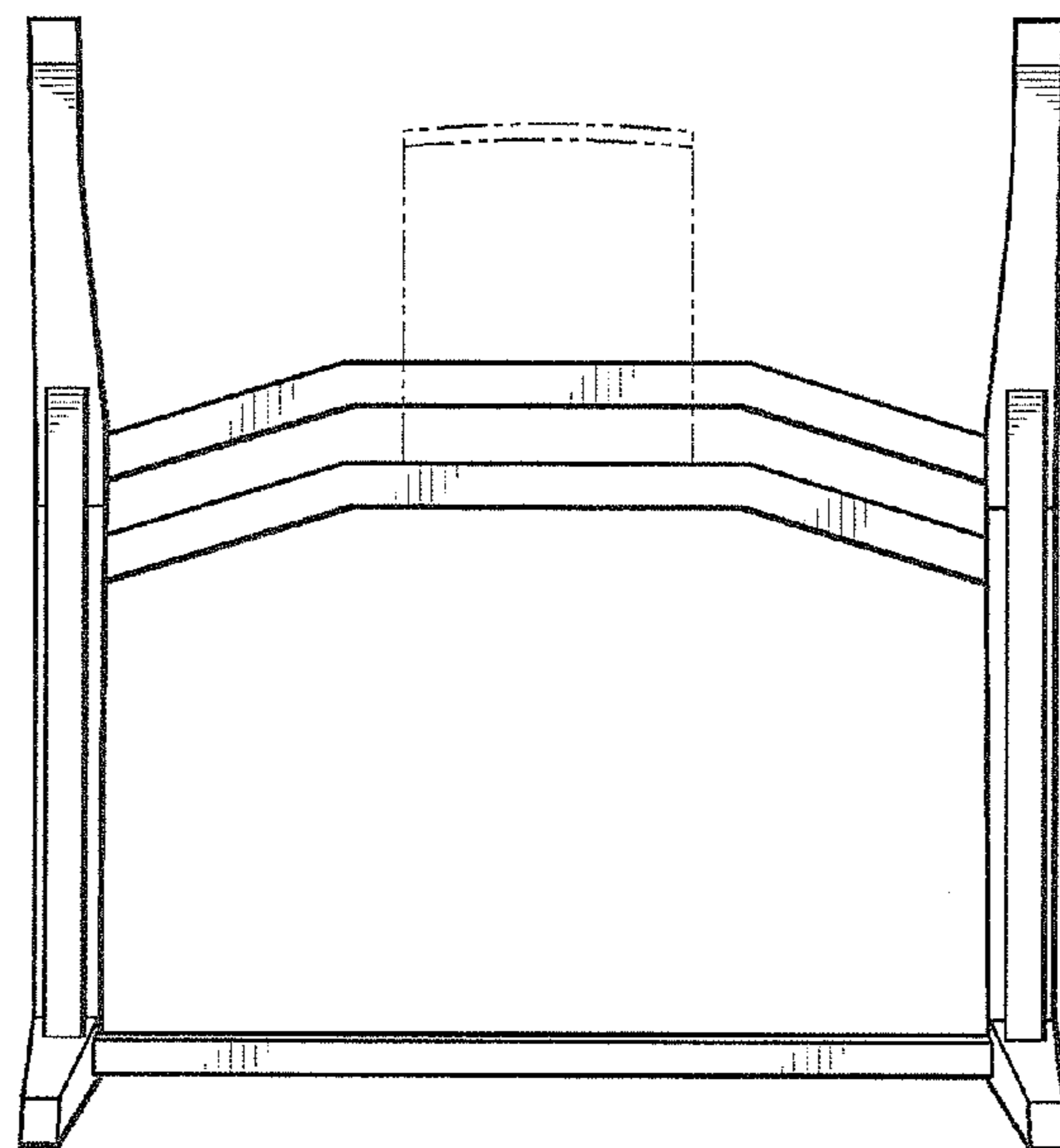


FIG. 11

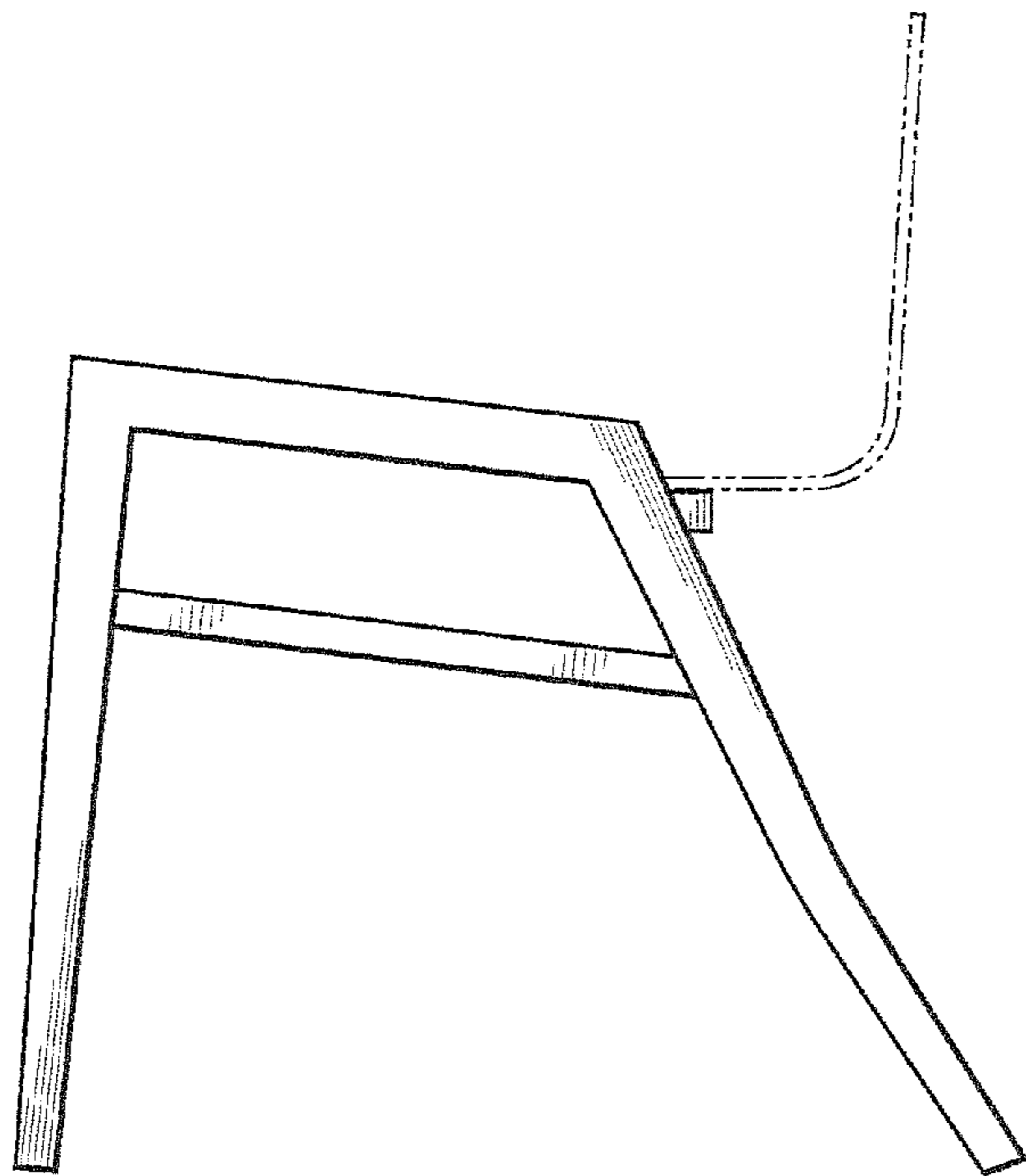


FIG. 12