



US00D716090S

(12) **United States Design Patent**  
**Schepens**

(10) **Patent No.:** **US D716,090 S**

(45) **Date of Patent:** **\*\* Oct. 28, 2014**

(54) **RACK RUNNER**

(75) Inventor: **Geert Schepens**, Semmerzake (BE)

(73) Assignee: **Belintra**, Semmerzake (BE)

(\*\*) Term: **14 Years**

(21) Appl. No.: **29/405,110**

(22) Filed: **Oct. 28, 2011**

(30) **Foreign Application Priority Data**

Jun. 7, 2011 (EM) ..... 001873738-0001

Jun. 7, 2011 (EM) ..... 001873738-0002

(51) **LOC (10) Cl.** ..... **06-06**

(52) **U.S. Cl.**  
USPC ..... **D6/705.7**

(58) **Field of Classification Search**

USPC ..... D6/396-397, 509-514, 552-553, 566,  
D6/572, 574, 672, 702, 704, 705, 705.4,  
D6/717, 705.7; D8/349, 354, 363,  
D8/376-377, 380, 400; 248/200-201,  
248/205.1; 312/330.1, 334.1, 334.5, 334.7,  
312/334.8, 334.21, 334.23, 334.27, 334.34;  
384/20-22

See application file for complete search history.

(56) **References Cited**

U.S. PATENT DOCUMENTS

D338,791 S \* 8/1993 Cohen ..... D6/501  
D363,701 S \* 10/1995 Paquette et al. .... D13/154  
D373,700 S \* 9/1996 Theodorou ..... D6/580  
D376,060 S \* 12/1996 Cohen ..... D6/501  
5,599,080 A \* 2/1997 Ho ..... 312/334.7  
D382,428 S \* 8/1997 Meier et al. .... D6/511  
D392,056 S \* 3/1998 Wang ..... D25/164  
5,921,040 A \* 7/1999 Glashouwer et al. .... 52/239  
D416,722 S \* 11/1999 Hartwall ..... D6/511

6,386,661 B1 \* 5/2002 Woerner ..... 312/334.5  
D461,657 S \* 8/2002 Magnusson ..... D6/491  
D484,336 S \* 12/2003 Hansen et al. .... D6/491  
6,681,532 B1 \* 1/2004 Palmbo et al. .... 52/71  
7,040,725 B1 \* 5/2006 Mao-Chin ..... 312/334.44  
7,108,143 B1 \* 9/2006 Lin ..... 211/183  
D535,404 S \* 1/2007 Bordewyk et al. .... D25/38.1  
D547,883 S \* 7/2007 Aughton et al. .... D25/119  
D557,543 S \* 12/2007 Hanson ..... D6/570  
D600,948 S \* 9/2009 Glover ..... D6/495  
7,597,413 B2 \* 10/2009 Fitz ..... 312/334.15  
7,712,851 B2 \* 5/2010 Huang et al. .... 312/333  
7,815,267 B1 \* 10/2010 Frousiakis ..... 312/333  
7,866,772 B1 \* 1/2011 Chen ..... 312/334.9  
D637,026 S \* 5/2011 Lin ..... D6/510  
7,967,399 B1 \* 6/2011 Baiza et al. .... 312/223.1  
D649,680 S \* 11/2011 Trzesniowski ..... D26/138  
D649,681 S \* 11/2011 Trzesniowski ..... D26/138  
D651,433 S \* 1/2012 Le et al. .... D6/511  
D674,219 S \* 1/2013 Kim ..... D6/702  
D676,264 S \* 2/2013 Lee ..... D6/717  
D677,502 S \* 3/2013 Ryan ..... D6/707.22

\* cited by examiner

*Primary Examiner* — Kelley Donnelly

(74) *Attorney, Agent, or Firm* — Rothwell, Figg, Ernst & Manbeck, P.C.

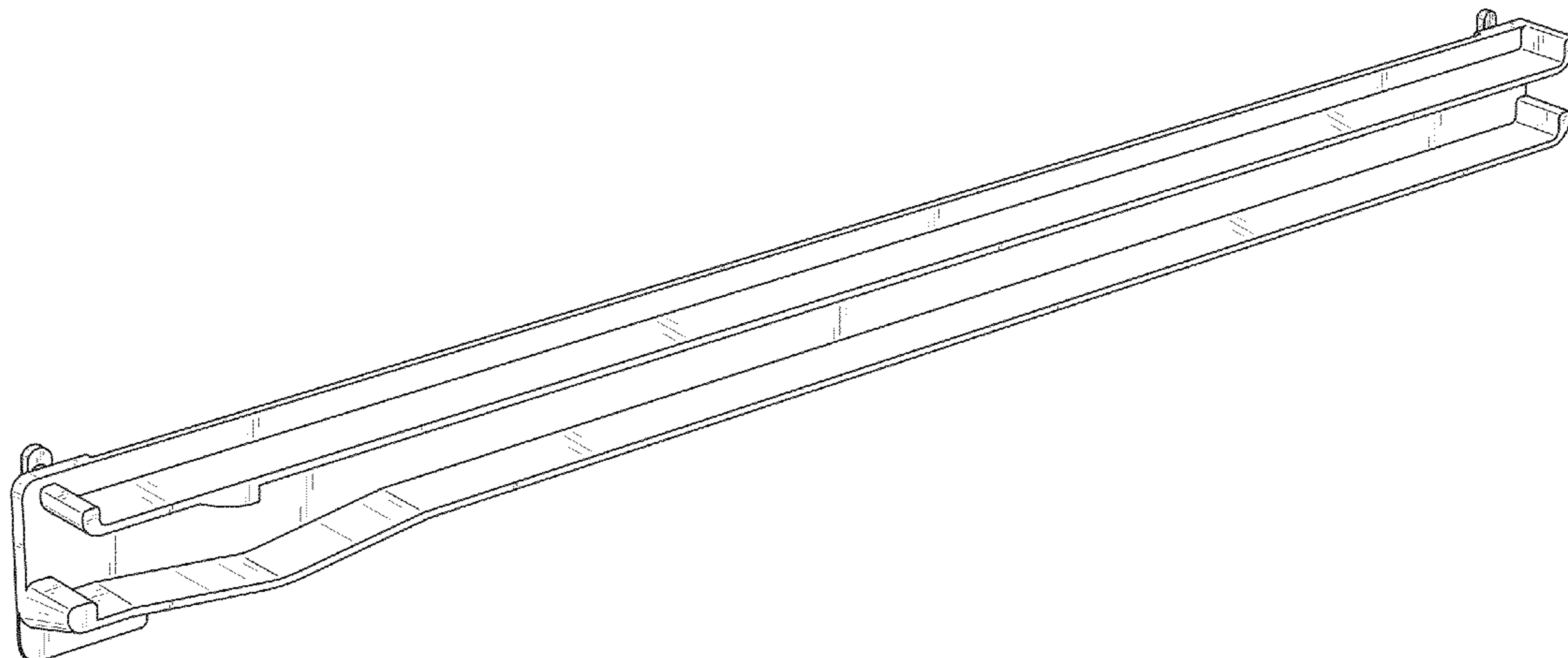
(57) **CLAIM**

The ornamental design for a rack runner, as shown and described.

**DESCRIPTION**

FIG. 1 shows a perspective view of the first embodiment of the rack runner;  
FIG. 2 shows a front elevation view thereof;  
FIG. 3 shows a rear elevation view thereof;  
FIG. 4 shows a left side view thereof;  
FIG. 5 shows a right side view thereof;  
FIG. 6 shows a top plan view thereof; and,  
FIG. 7 shows a bottom plan view thereof.

**1 Claim, 4 Drawing Sheets**



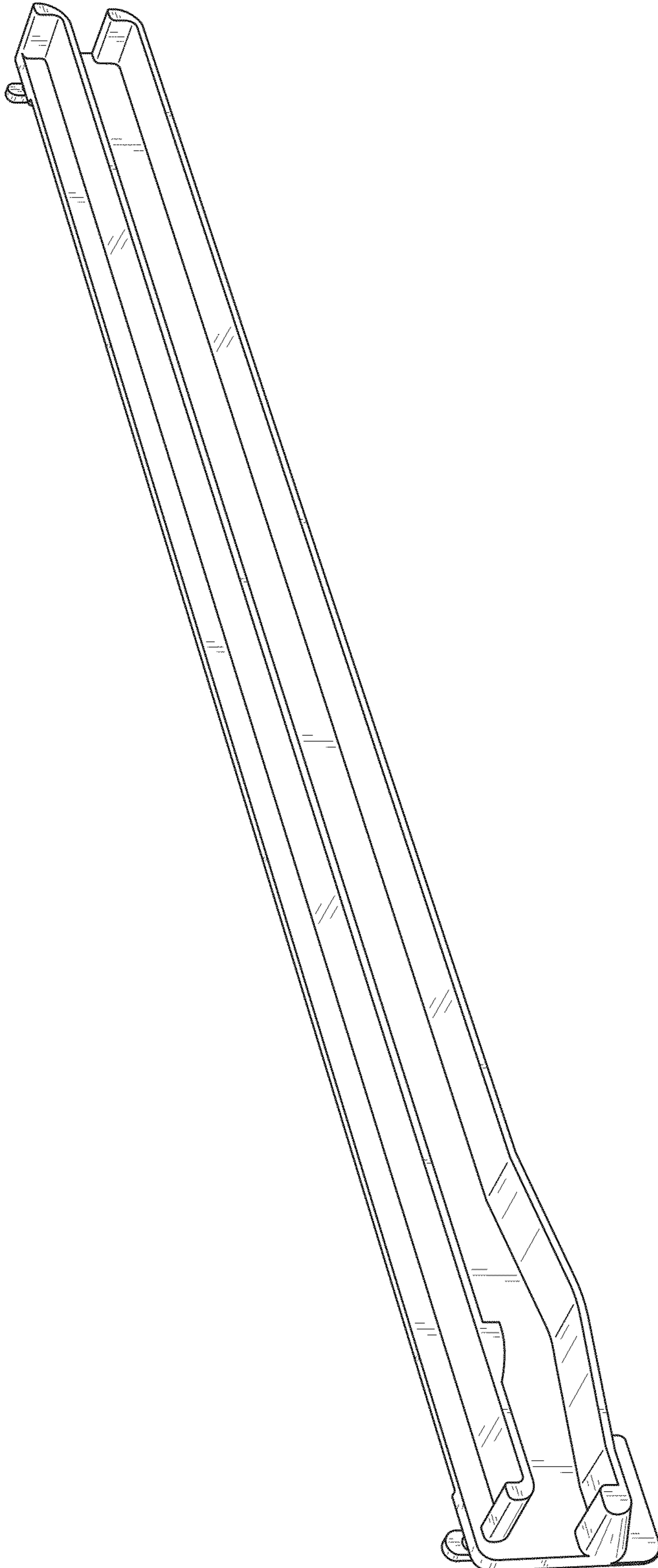


FIG. 1

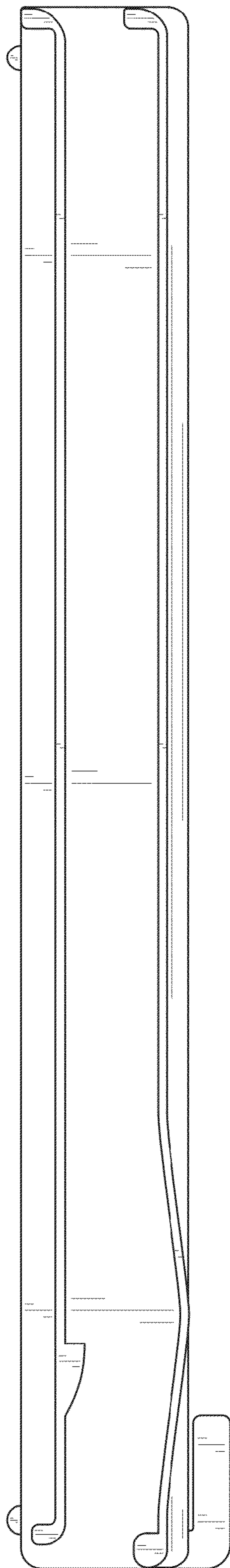


FIG. 2

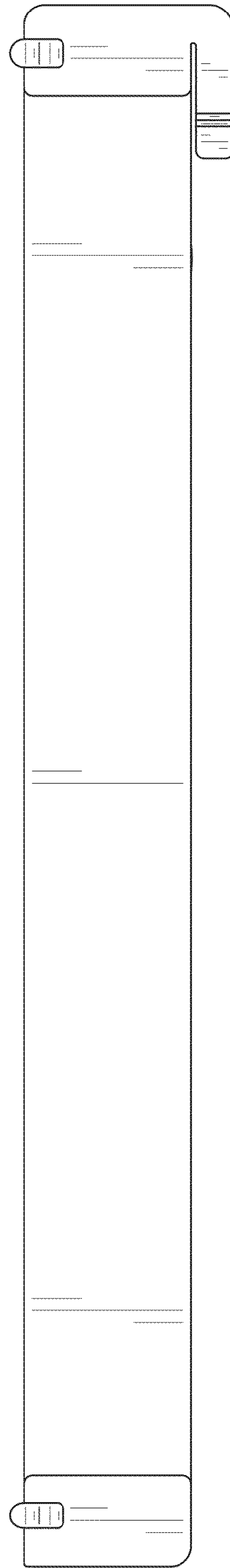


FIG. 3

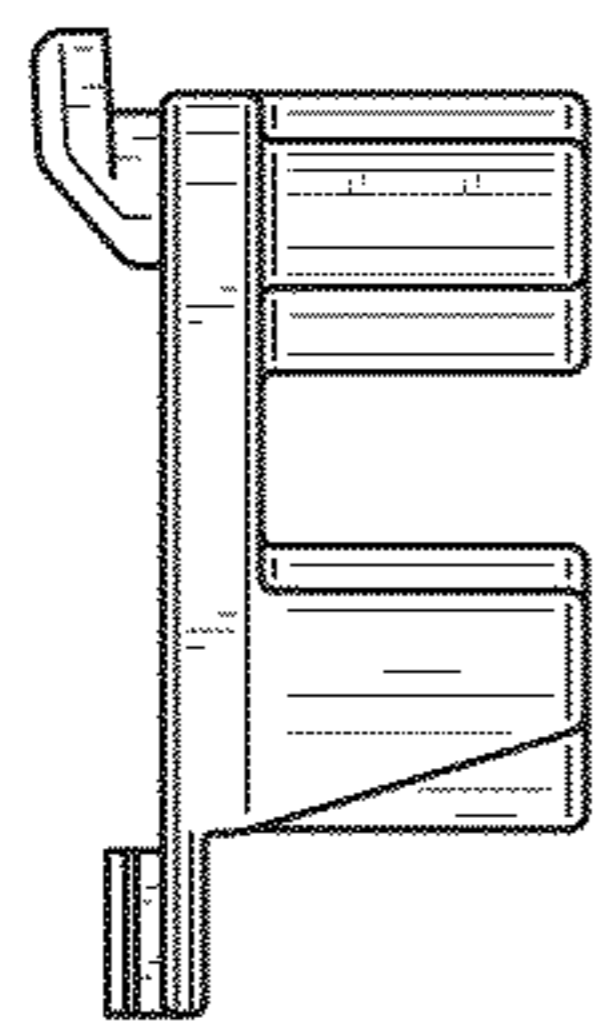


FIG. 4

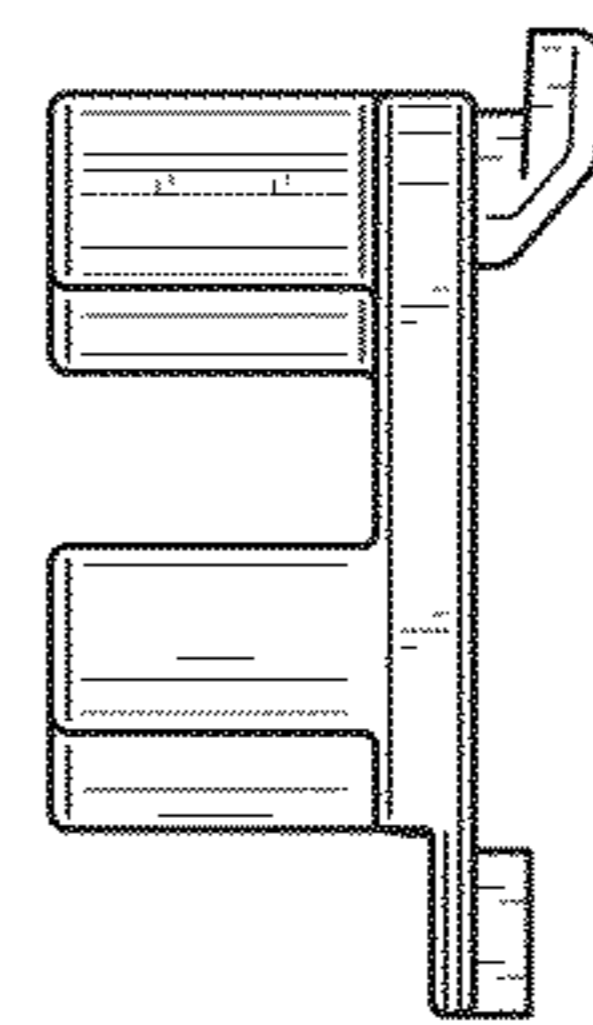


FIG. 5

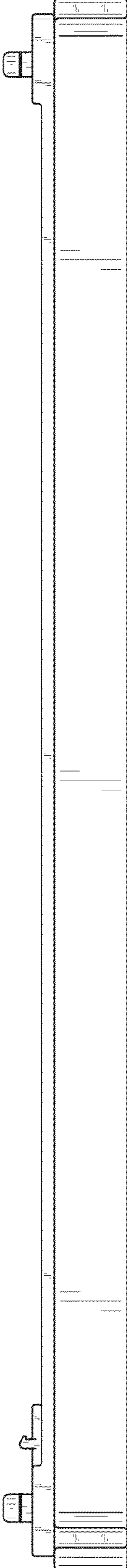


FIG. 6

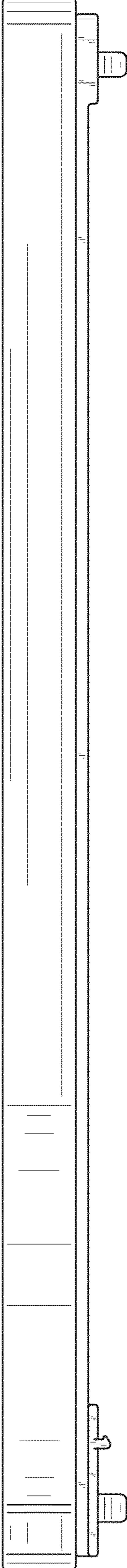


FIG. 7