



US00D716089S

(12) **United States Design Patent**
Bittle

(10) **Patent No.:** **US D716,089 S**

(45) **Date of Patent:** **** Oct. 28, 2014**

(54) **SHELF**

(71) Applicant: **Easy Home Organization**
Manufacturing Co., Ltd., Shenzhen
(CN)

(72) Inventor: **Bobby Joe Bittle**, Bentonville, AR (US)

(73) Assignee: **Easy Home Organization**
Manufacturing Co., Ltd., Shenzhen
(CN)

(**) Term: **14 Years**

(21) Appl. No.: **29/492,171**

(22) Filed: **May 29, 2014**

(51) **LOC (10) Cl.** **06-06**

(52) **U.S. Cl.**
USPC **D6/705**

(58) **Field of Classification Search**
USPC D6/462-465, 477-479, 509-511, 705,
D6/705.4; 211/181, 186-187; 312/116
See application file for complete search history.

(56) **References Cited**

U.S. PATENT DOCUMENTS

D329,764 S * 9/1992 Evans D6/462
D385,444 S * 10/1997 Welch et al. D6/511

D400,739 S * 11/1998 Sheng D6/479
D424,836 S * 5/2000 Kopala, Jr. D6/465
D435,989 S * 1/2001 Hunt D6/511
6,905,037 B1 * 6/2005 Goldberg 211/181.1
7,059,484 B1 * 6/2006 Goldberg 211/187
D580,192 S * 11/2008 Sparkowski D6/461
D592,897 S * 5/2009 Welsch et al. D6/511
D615,777 S * 5/2010 Lee et al. D6/479
D639,112 S * 6/2011 Johnston D7/408
D678,719 S * 3/2013 Ortiz D7/402
D689,835 S * 9/2013 Smith D13/182
D704,511 S * 5/2014 Beckman et al. D7/552.2

* cited by examiner

Primary Examiner — Kelley Donnelly

(74) *Attorney, Agent, or Firm* — Husch Blackwell LLP

(57) **CLAIM**

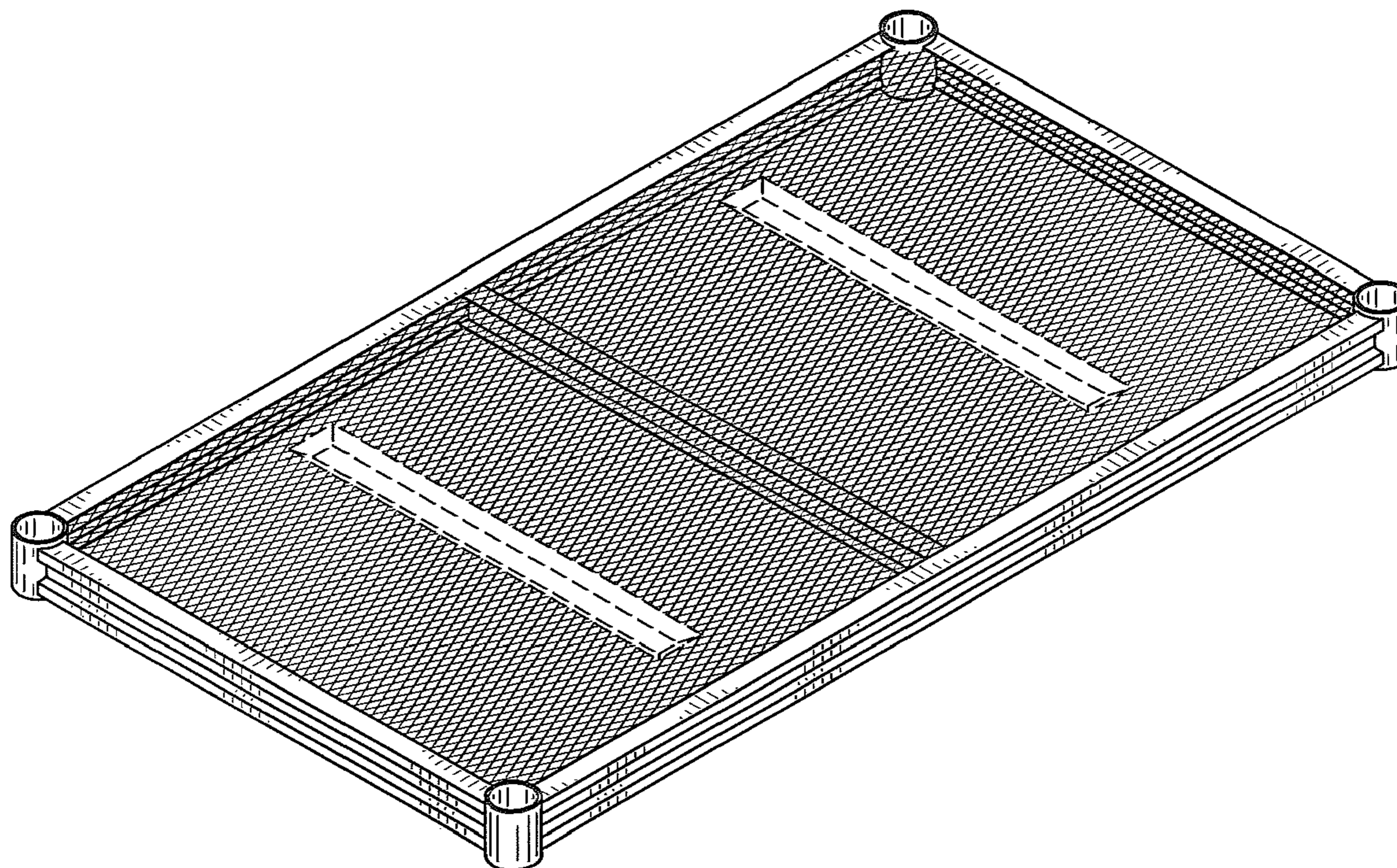
The ornamental design for a shelf, as shown and described.

DESCRIPTION

FIG. 1 is a top perspective view of the design of a shelf;
FIG. 2 is a top plan view of the shelf shown in FIG. 1;
FIG. 3 is a bottom side view of the shelf shown in FIG. 1;
FIG. 4 is a front side view of the shelf shown in FIG. 1;
FIG. 5 is a right side view of the shelf shown in FIG. 1; and,
FIG. 6 is a top perspective view of a shelving unit including
shelf shown in FIG. 1.

Any features shown in broken lines depict environmental
subject matter only and form no part of the claimed design.

1 Claim, 4 Drawing Sheets



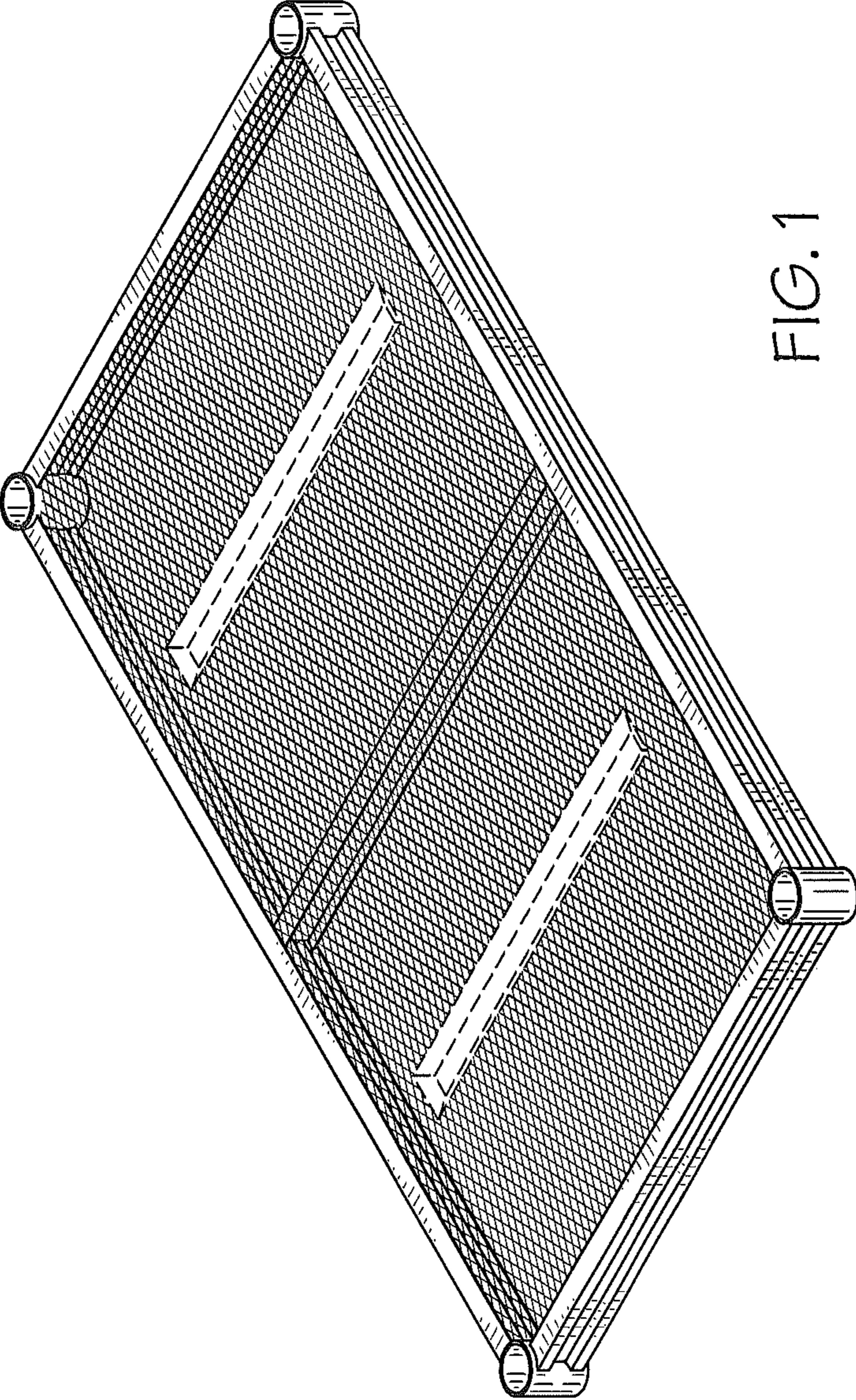


FIG. 1

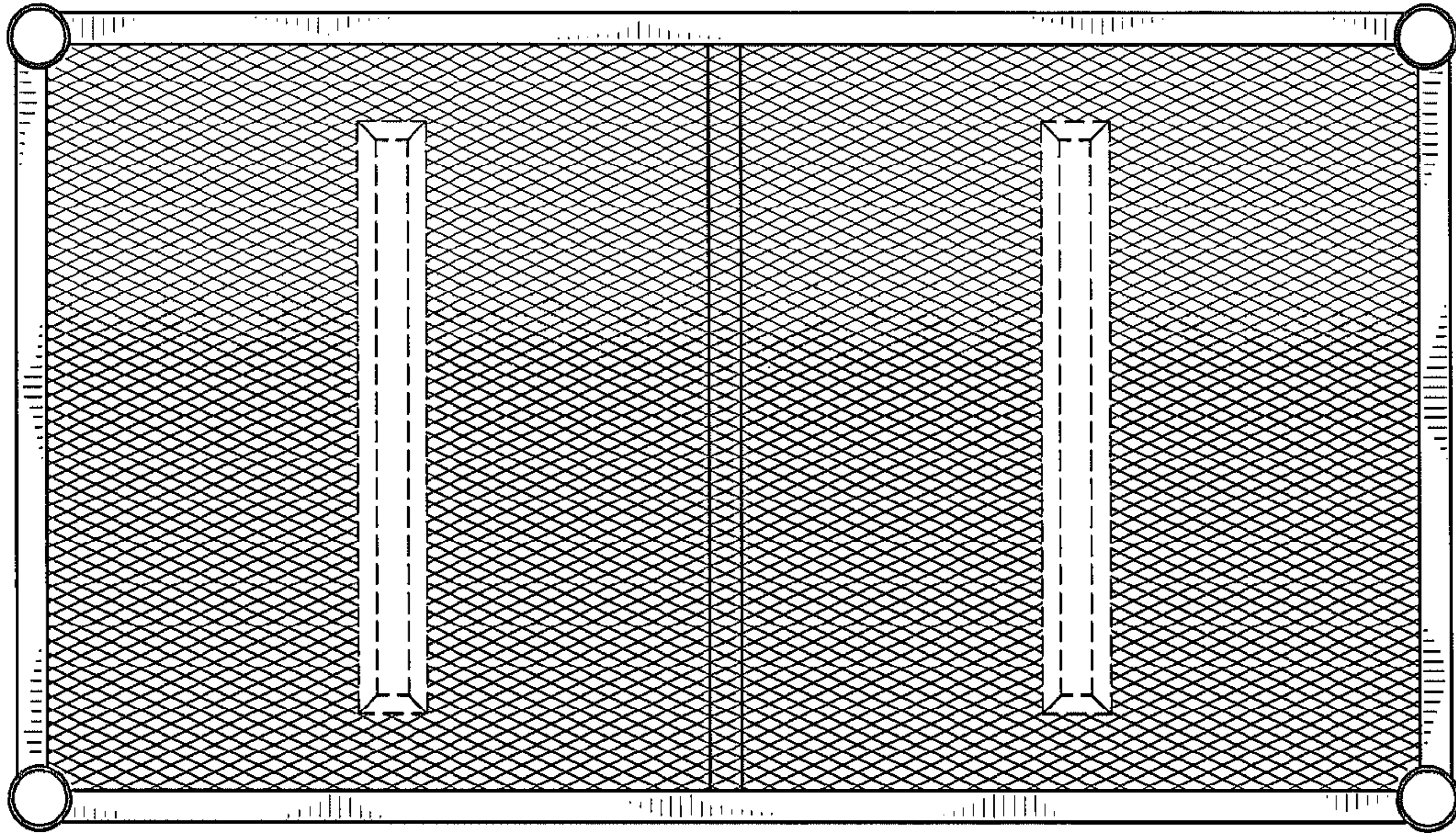


FIG. 2

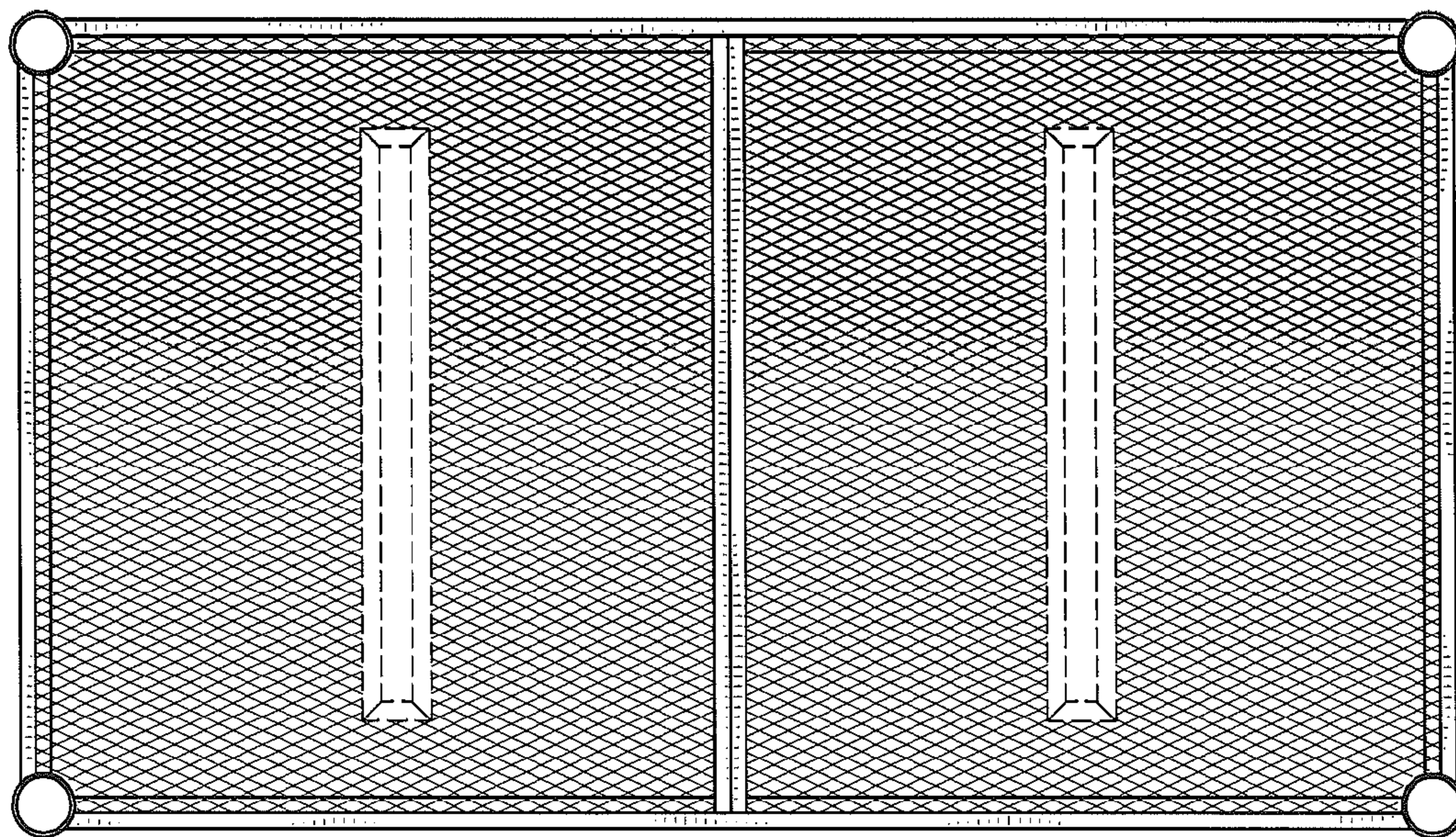


FIG. 3

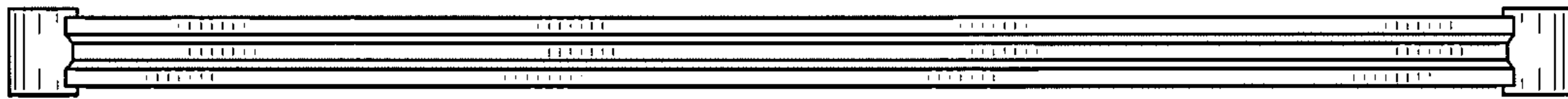


FIG. 4

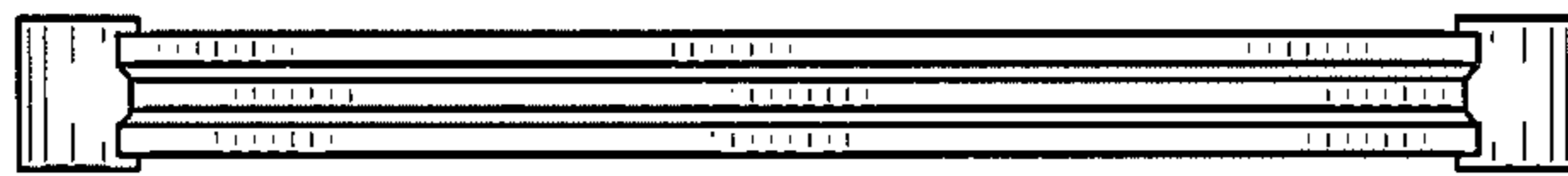


FIG. 5

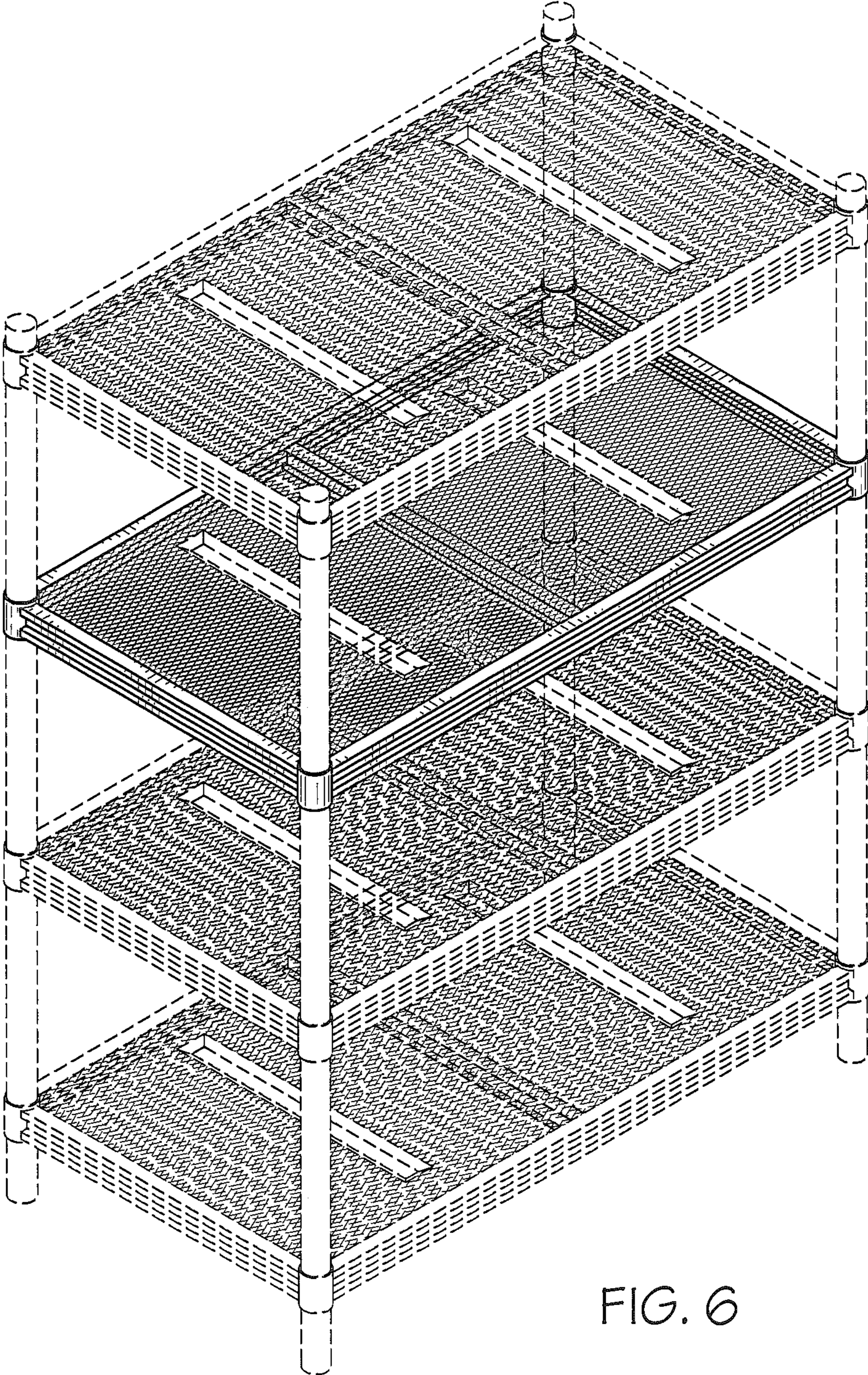


FIG. 6