



US00D716084S

(12) **United States Design Patent**
Murchison et al.

(10) **Patent No.:** **US D716,084 S**

(45) **Date of Patent:** **** Oct. 28, 2014**

(54) **ARTICLE DISPLAY**

(75) Inventors: **Tracy Renae Murchison**, Springboro, OH (US); **Aleksandra Agnieszka Idzikowska**, Cincinnati, OH (US); **Peter Karl Patzak**, Darmstadt (DE); **Marek Mikovec**, Roudnice nad Labem (CZ)

(73) Assignee: **The Procter & Gamble Company**, Cincinnati, OH (US)

(**) Term: **14 Years**

(21) Appl. No.: **29/411,538**

(22) Filed: **Jan. 23, 2012**

(51) **LOC (10) Cl.** **06-06**

(52) **U.S. Cl.**
USPC **D6/682.1**

(58) **Field of Classification Search**
USPC D6/300–314, 466, 469, 495, 512, D6/672–673, 678, 682–682.1; D10/15, 40; D14/375; 40/700, 735, 765, 780, 760, 40/152, 152.1, 154–157; D11/131, 164
See application file for complete search history.

(56) **References Cited**

U.S. PATENT DOCUMENTS

D288,154 S *	2/1987	Hobgood	D6/466
D290,447 S *	6/1987	Evans	D11/131
4,807,377 A *	2/1989	Stuckel	40/711
D306,528 S *	3/1990	Worley	D6/309
D317,531 S *	6/1991	Evans	D6/309
D325,325 S *	4/1992	Cadman	D7/611
D328,210 S *	7/1992	Callon	D6/511
D334,667 S *	4/1993	Lonczak et al.	D6/308
D370,581 S *	6/1996	Loznikov	D6/495
D392,110 S *	3/1998	Tsui	D6/309
D396,783 S *	8/1998	Lee	D7/701
D454,702 S *	3/2002	Doeing	D6/310
D465,660 S *	11/2002	Doeing	D6/310
D476,945 S *	7/2003	Burch et al.	D12/421
D488,626 S *	4/2004	Kruger	D6/309
6,758,330 B1 *	7/2004	Chudada	206/6.1
D512,841 S *	12/2005	Dirks	D6/300
D530,525 S *	10/2006	Greene, II	D6/309

D533,358 S *	12/2006	Bhavnani	D6/301
D533,806 S *	12/2006	Kaneko et al.	D11/131
D544,727 S *	6/2007	Valdez et al.	D6/466
D546,075 S *	7/2007	Kreiss	D6/309
D581,699 S *	12/2008	Harrison	D6/449
D584,898 S *	1/2009	Chang	D6/309
D588,823 S *	3/2009	Butcher	D6/309
D592,409 S *	5/2009	Wu	D6/309
D612,564 S *	3/2010	Comley	D34/35
D615,452 S *	5/2010	Banman	D11/164
D632,093 S *	2/2011	Butcher	D6/309
D637,414 S *	5/2011	Butcher	D6/309
D643,231 S *	8/2011	Huang	D6/449
D656,997 S *	4/2012	Levin et al.	D21/404
D688,074 S *	8/2013	Lin	D6/708.2
D690,140 S *	9/2013	Baylar	D6/675

* cited by examiner

Primary Examiner — Kelley Donnelly

(74) *Attorney, Agent, or Firm* — Linda M. Sivik

(57) **CLAIM**

The ornamental design for an article display, as shown and described.

DESCRIPTION

FIG. 1 is a perspective view of an article display, embodying our new design;

FIG. 2 is a front elevational view of the article display of FIG. 1;

FIG. 3 is a side elevational view of the article display of FIG. 1 wherein the other side elevational view is a mirror image;

FIG. 4 is a back elevational view of the article display of FIG. 1;

FIG. 5 is a top view of the article display of FIG. 1;

FIG. 6 is a bottom view of the article display of FIG. 1;

FIG. 7 is a perspective view of an article display, embodying an embodiment of our new design;

FIG. 8 is a front elevational view of the article display of FIG. 7;

FIG. 9 is a side elevational view of the article display of FIG. 7 wherein the other side elevational view is a mirror image;

FIG. 10 is a back elevational view of the article display of FIG. 7;

FIG. 11 is a top view of the article display of FIG. 7;

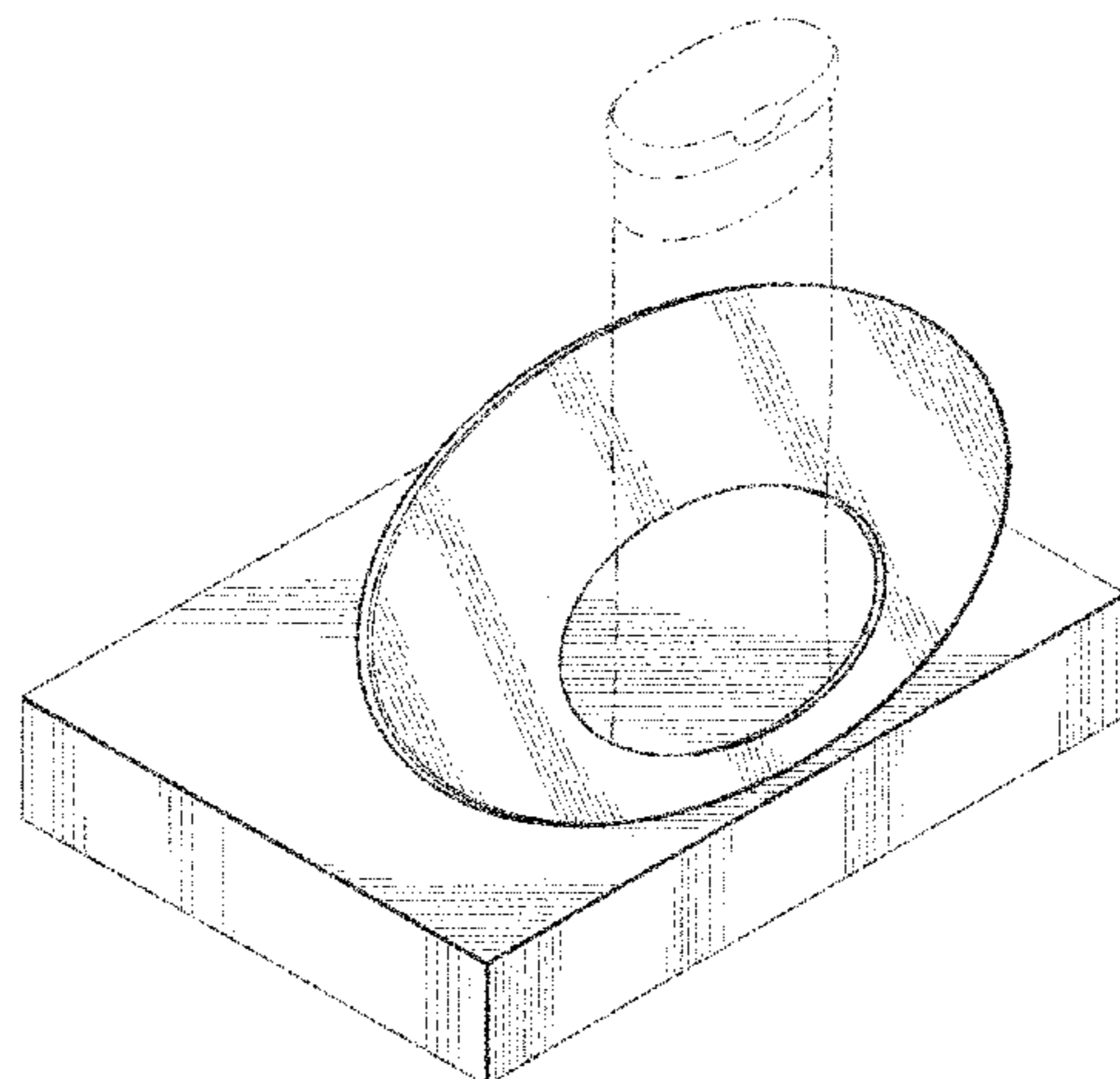


FIG. 12 is a bottom view of the article display of FIG. 7;
FIG. 13 is a perspective view of an article display, embodying an embodiment of our new design;
FIG. 14 is a front elevational view of the article display of FIG. 13; and
FIG. 15 is a side elevational view of the article display of FIG. 13 wherein the other side elevational view is a mirror image;
FIG. 16 is a back elevational view of the article display of FIG. 13;
FIG. 17 is a top view of the article display of FIG. 13;
FIG. 18 is a bottom view of the article display of FIG. 13;
FIG. 19 is a perspective view of an article display, embodying an embodiment of our new design;
FIG. 20 is a front elevational view of the article display FIG. 19;
FIG. 21 is a side elevational view of the article display of FIG. 19 wherein the other side elevational view is a mirror image;
FIG. 22 is a back elevational view of the article display of FIG. 19;
FIG. 23 is a top view of the article display of FIG. 19;
FIG. 24 is a bottom view of the article display of FIG. 19;
FIG. 25 is a perspective view of an article display, embodying an embodiment of our new design;
FIG. 26 is a front elevational view of the article display of FIG. 25;
FIG. 27 is a side elevational view of the article display of FIG. 25 wherein the other side elevational view is a mirror image;
FIG. 28 is a back elevational view of the article display of FIG. 25;

FIG. 29 is a top view of the article display of FIG. 25;
FIG. 30 is a bottom view of the article display of FIG. 25;
FIG. 31 is a perspective view of an article display, embodying an embodiment of our new design;
FIG. 32 is a front elevational view of the article display of FIG. 31;
FIG. 33 is a side elevational view of the article display of FIG. 31 wherein the other side elevational view is a mirror image;
FIG. 34 is a back elevational view of the article display of FIG. 31;
FIG. 35 is a top view of the article display of FIG. 31;
FIG. 36 is a bottom view of the article display of FIG. 31;
FIG. 37 is a perspective view of an article display, embodying an embodiment of our new design;
FIG. 38 is a front elevational view of the article display of FIG. 37;
FIG. 39 is a side elevational view of the article display of FIG. 37;
FIG. 40 is a back elevational view of the article display of FIG. 37;
FIG. 41 is a top view of the article display of FIG. 37;
FIG. 42 is a bottom view of the article display of FIG. 37; and,
FIG. 43 is a side elevational view of the article display of FIG. 38, embodying an embodiment of our new design.
The broken lines shown in the drawings are for illustrative purposes only and form no part of the claimed design.

1 Claim, 21 Drawing Sheets

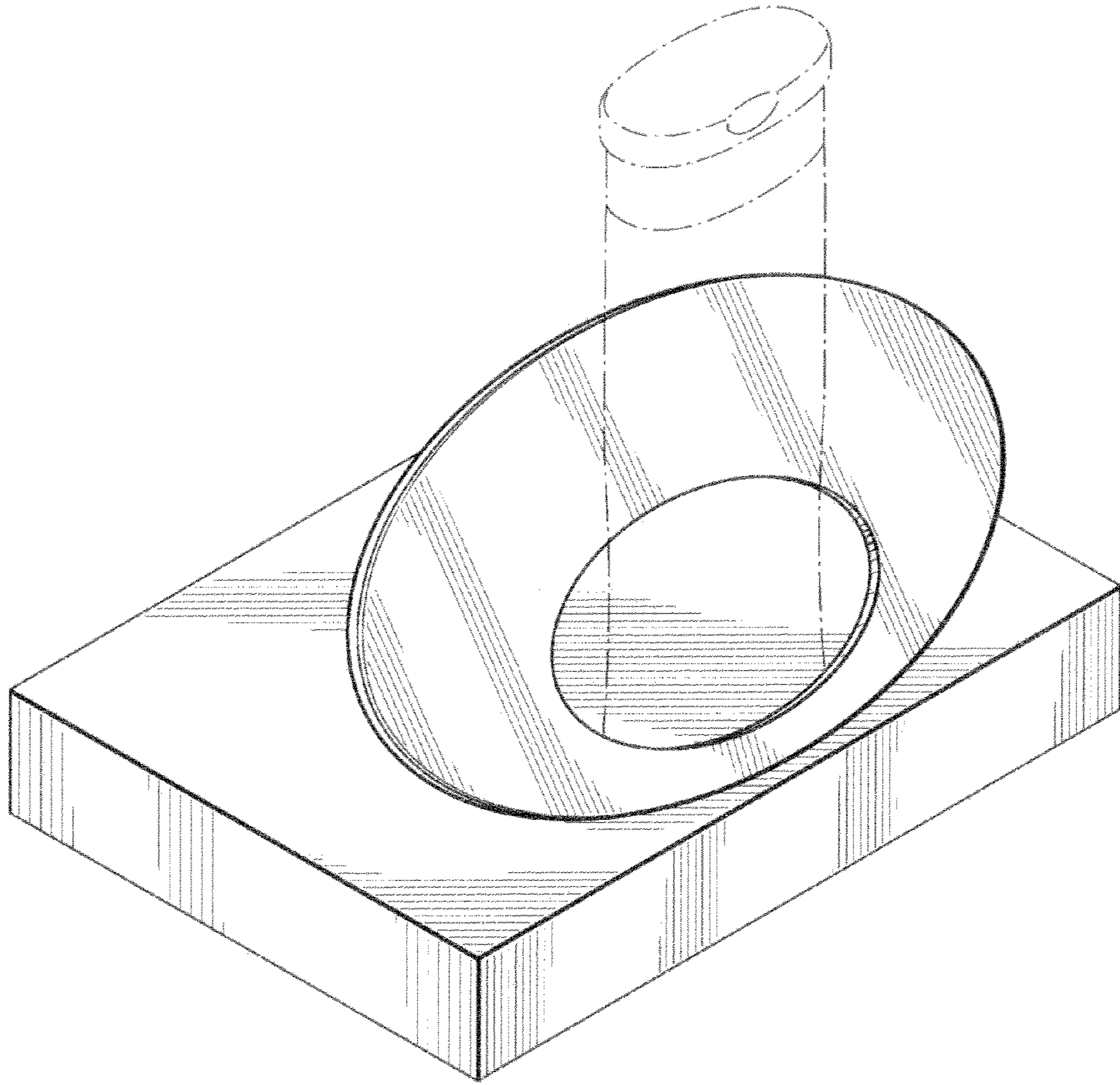


FIG. 1

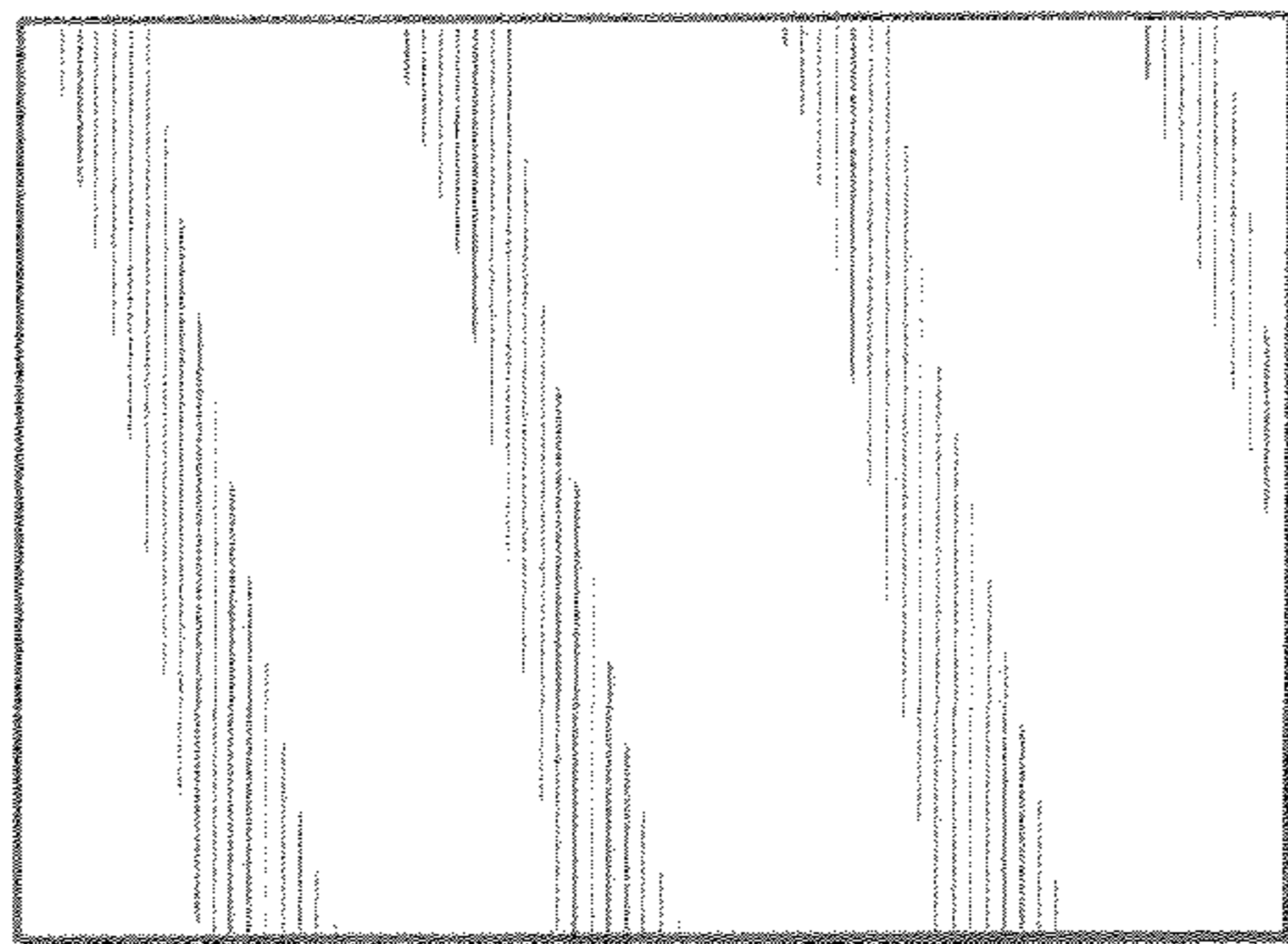


FIG. 6

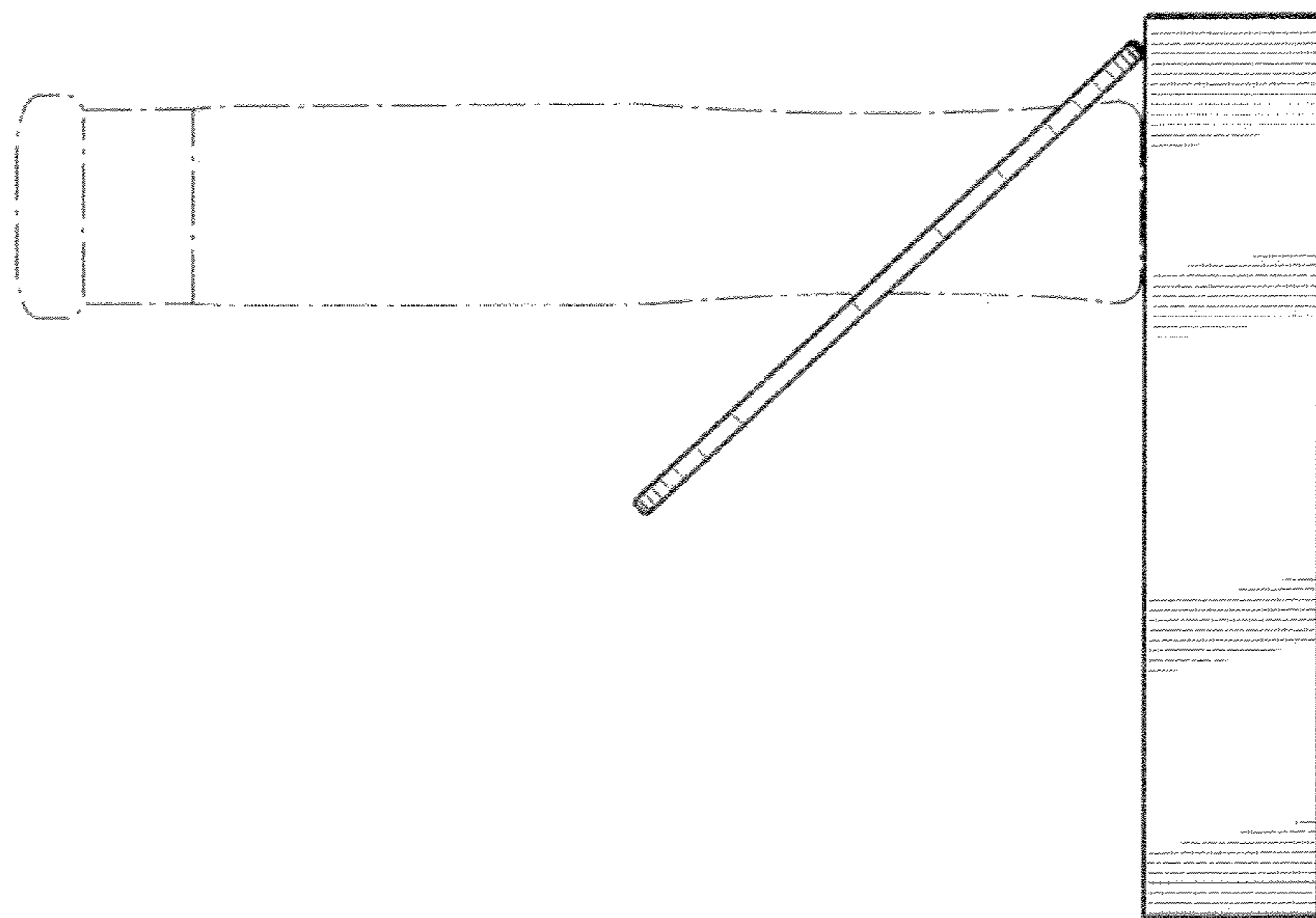


FIG. 3

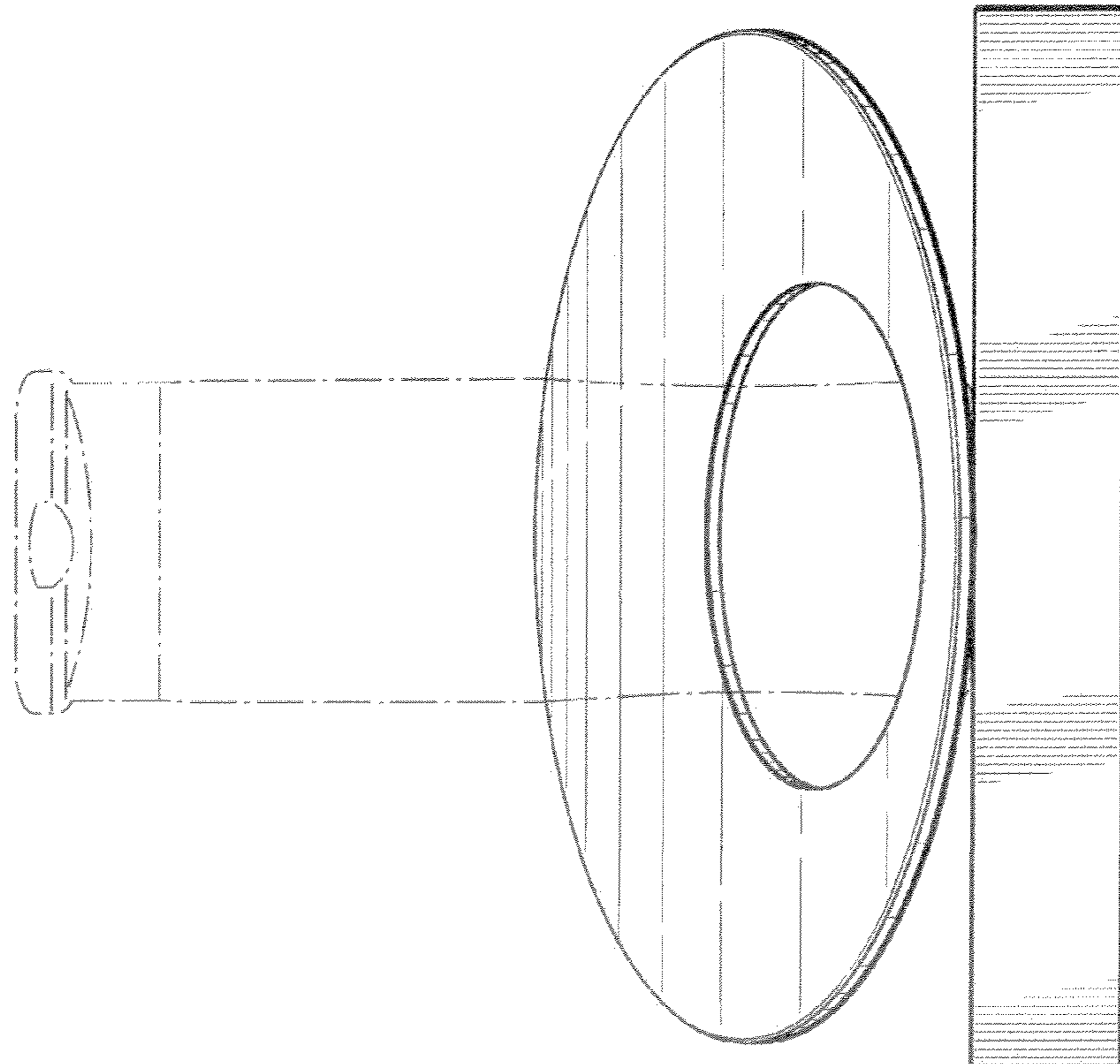


FIG. 2

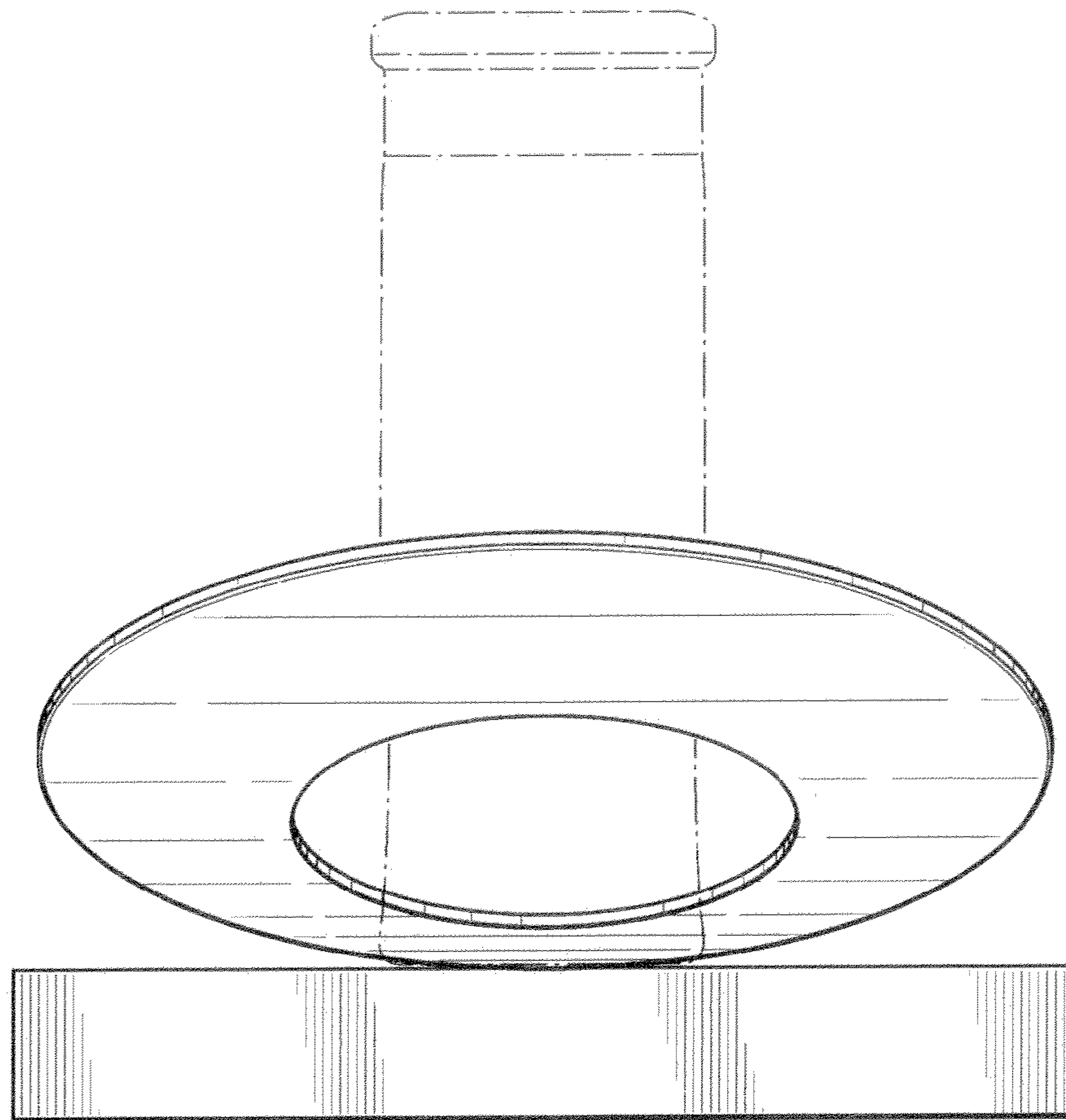


FIG. 4

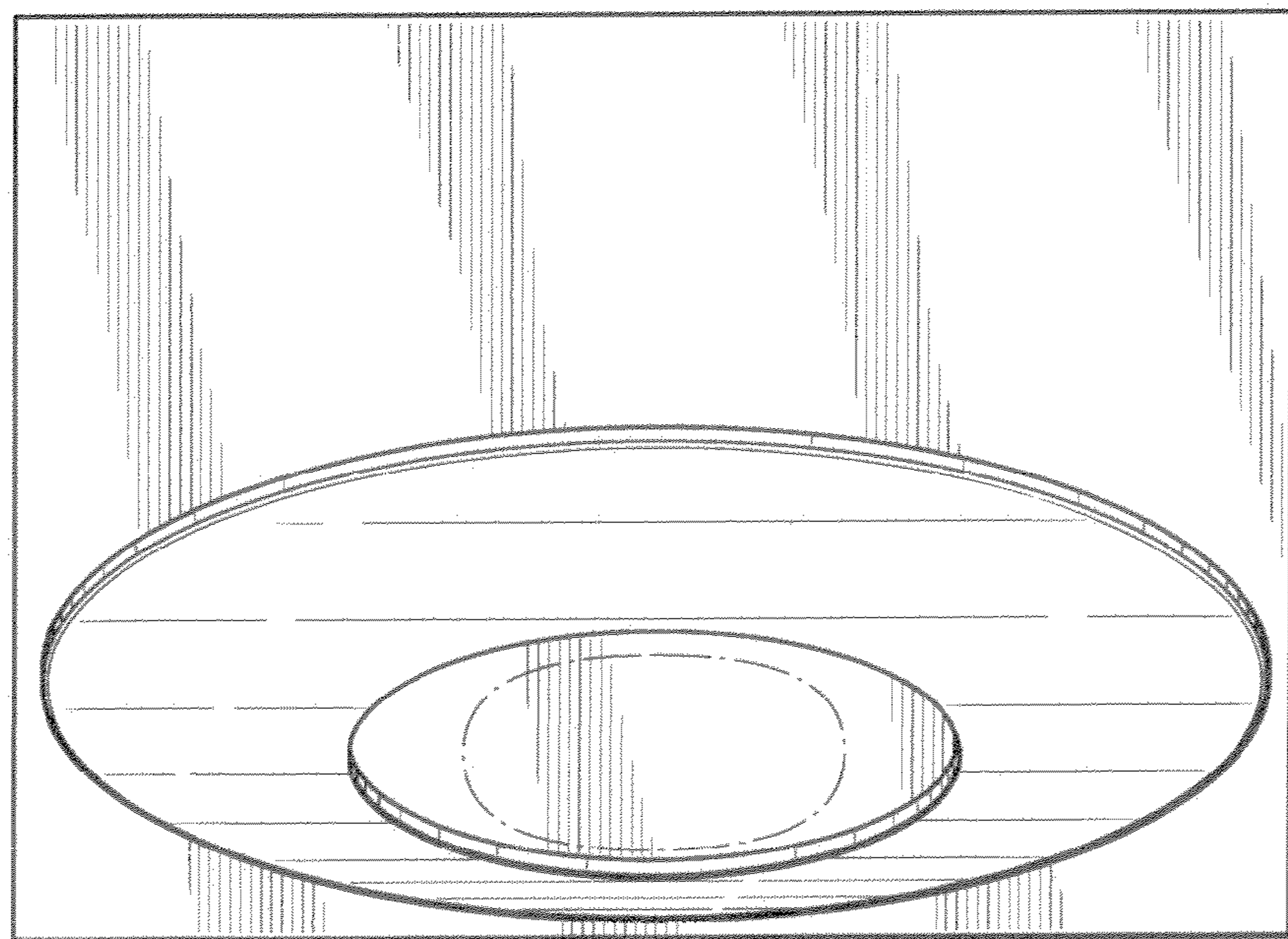


FIG. 5

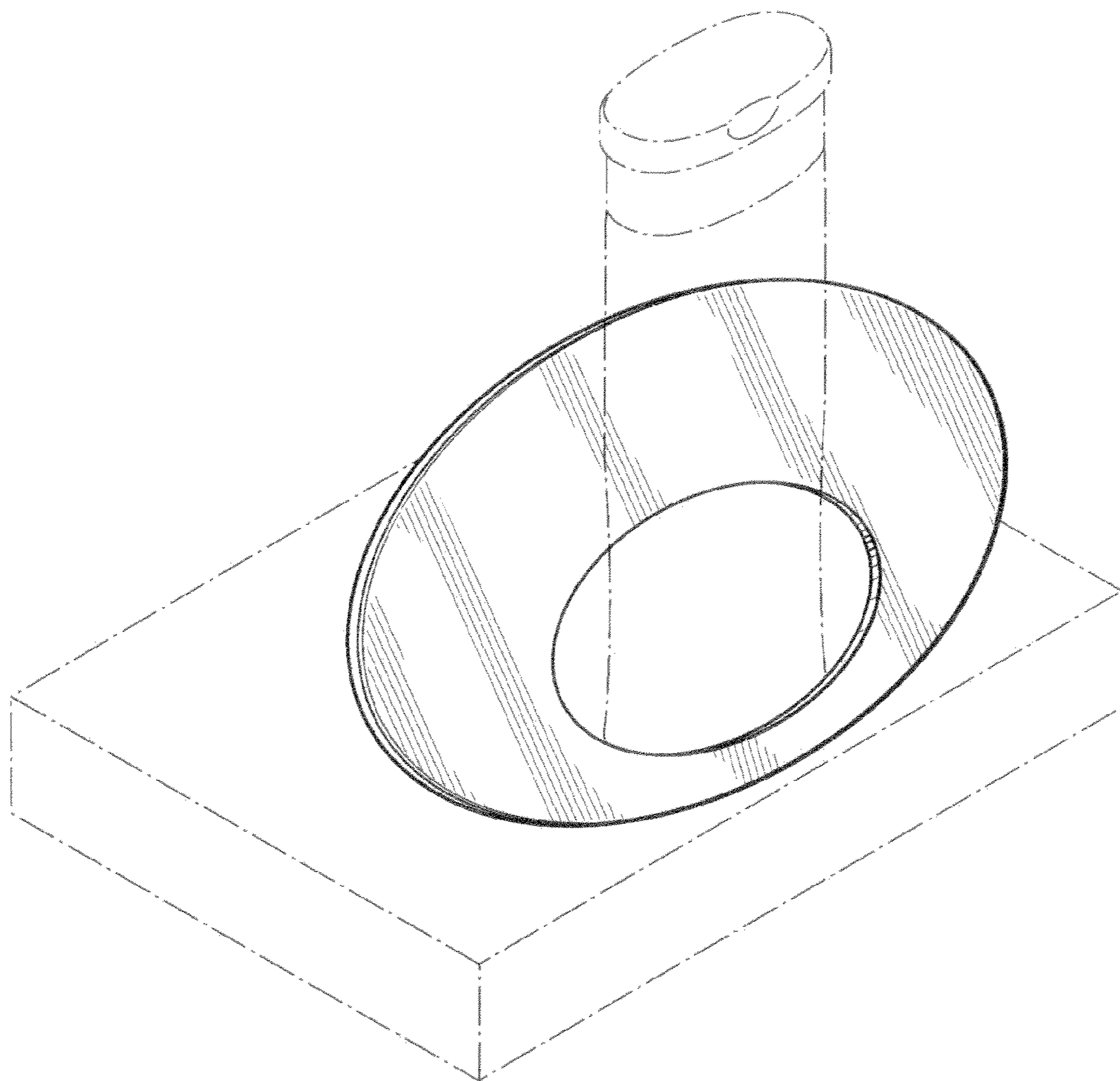


FIG. 7

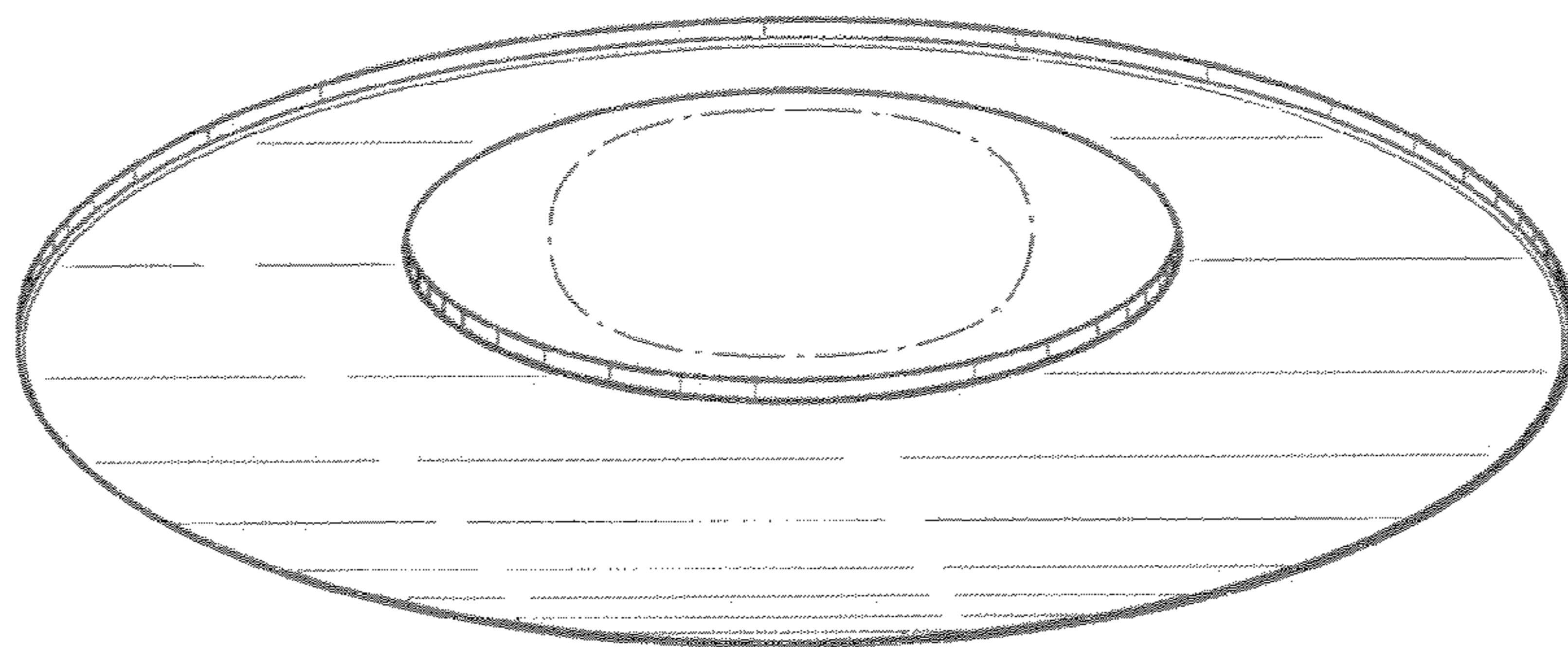


FIG. 12

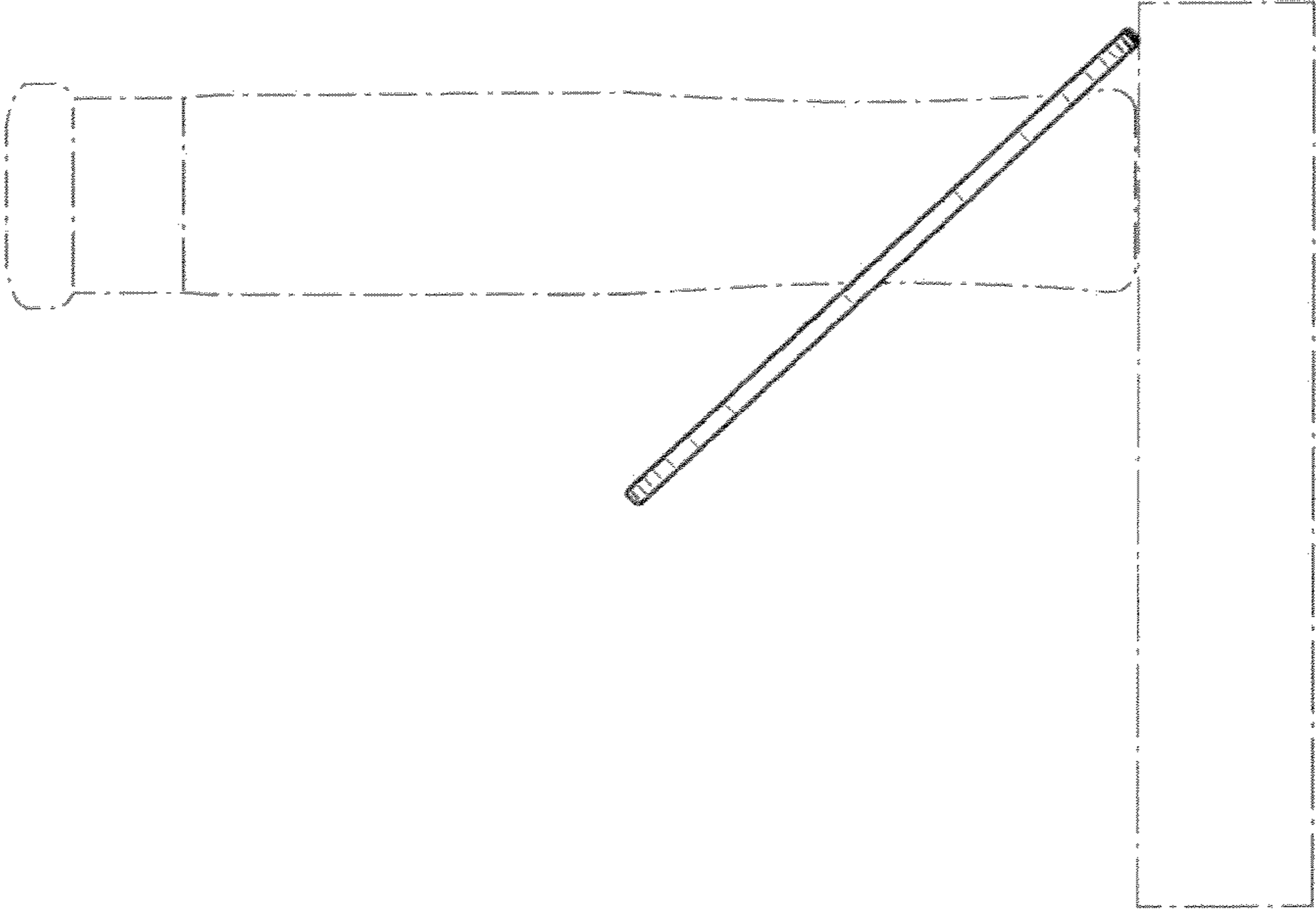


FIG. 9

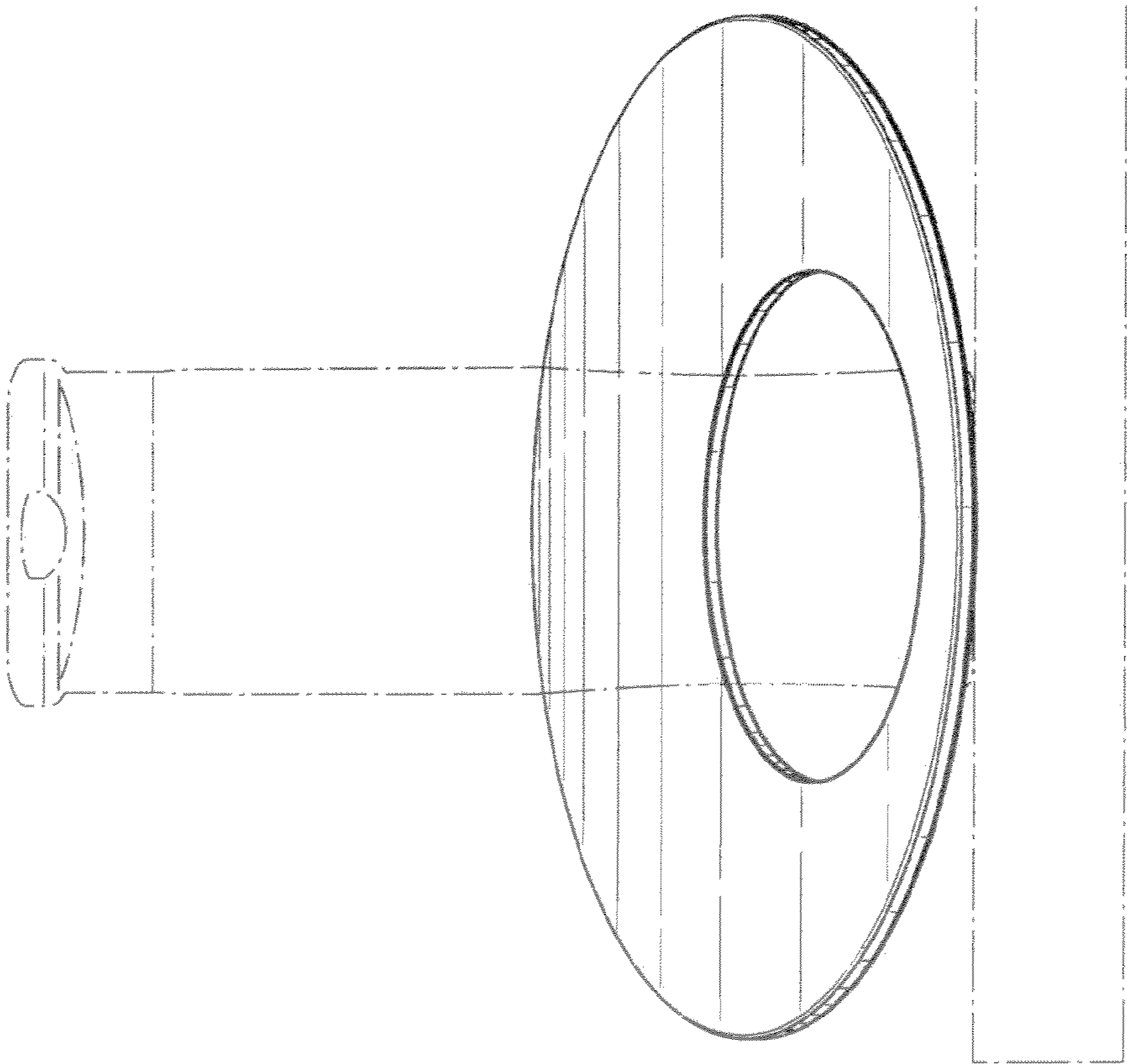


FIG. 8

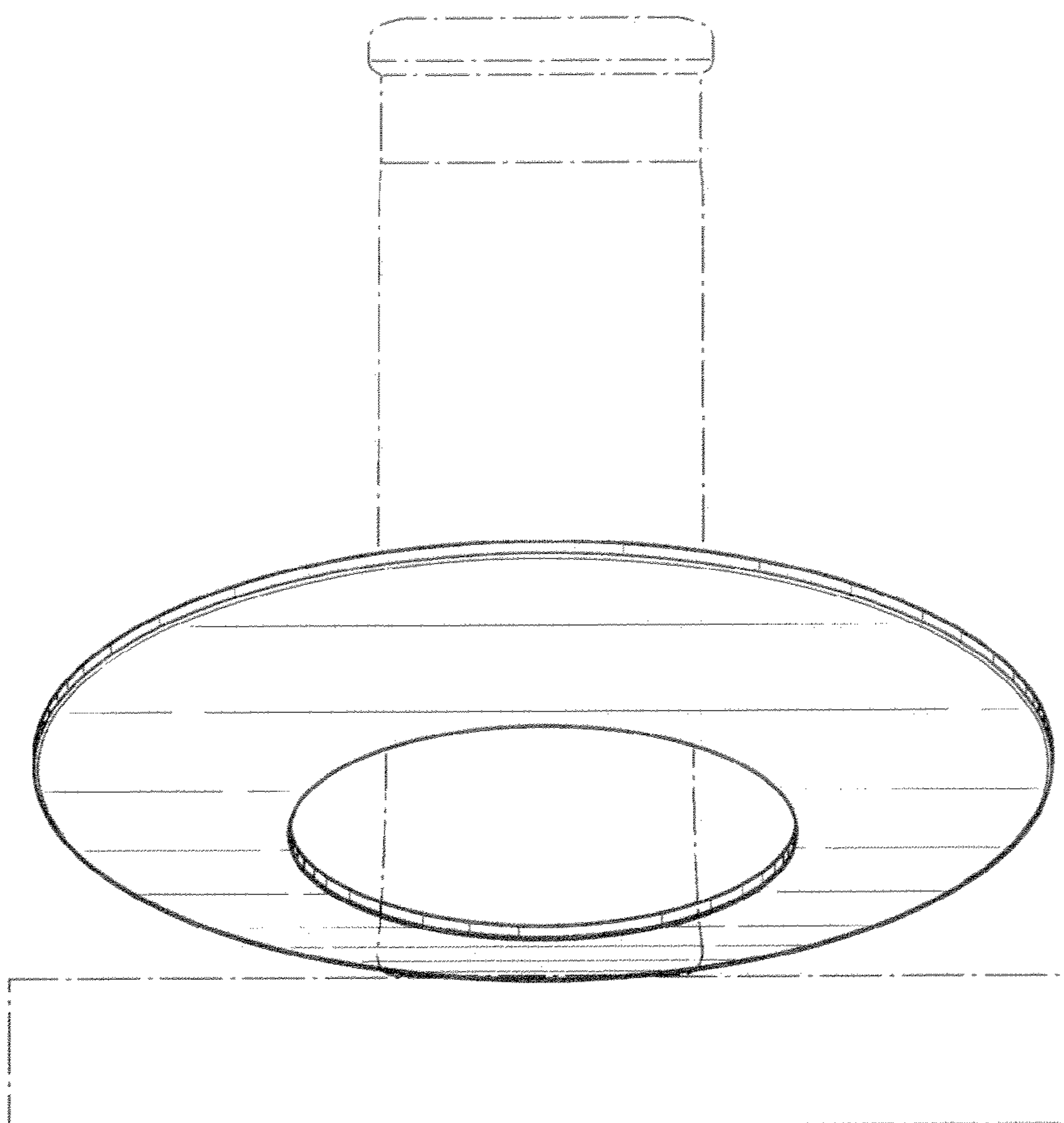


FIG. 10

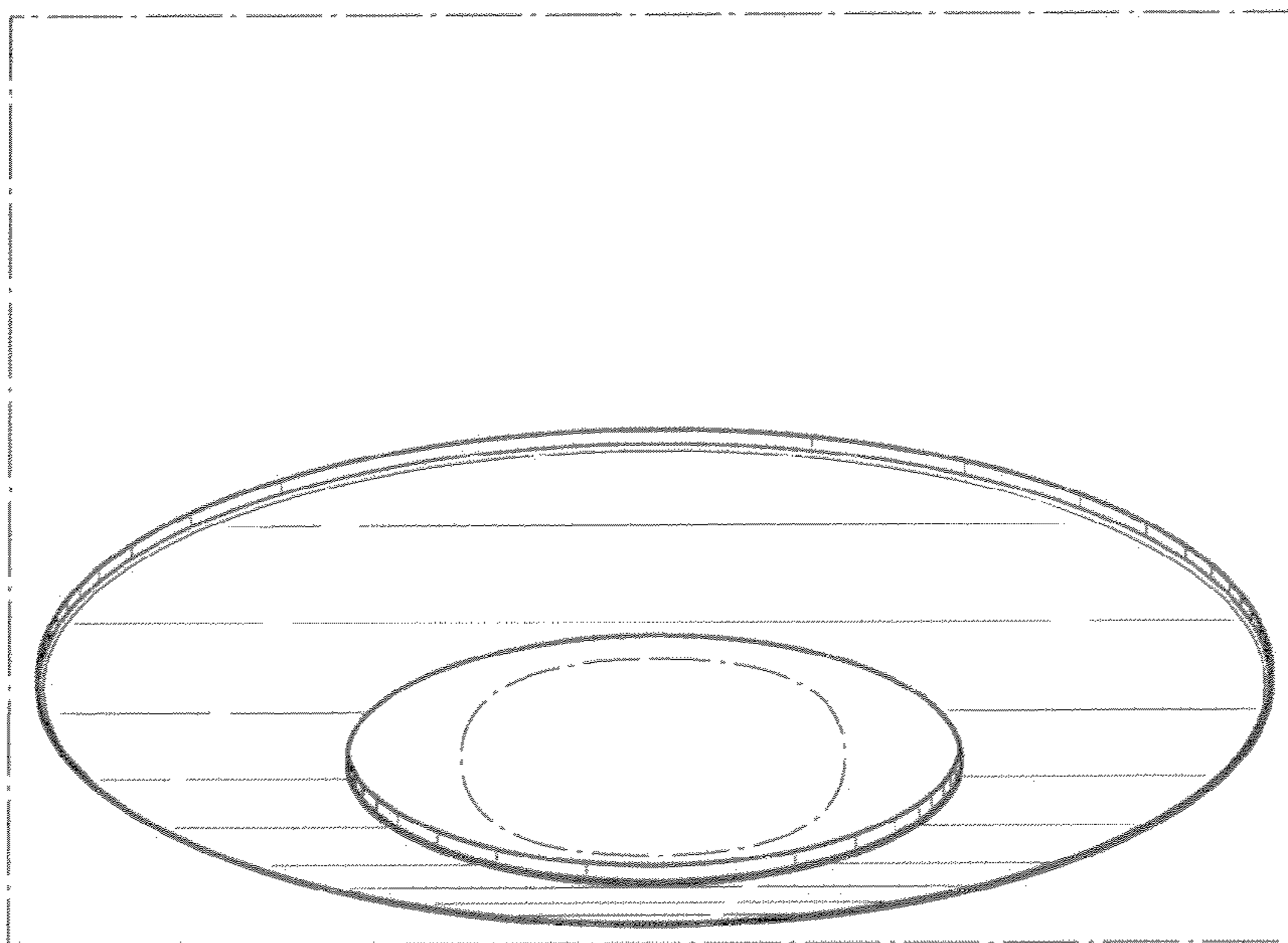


FIG. 11

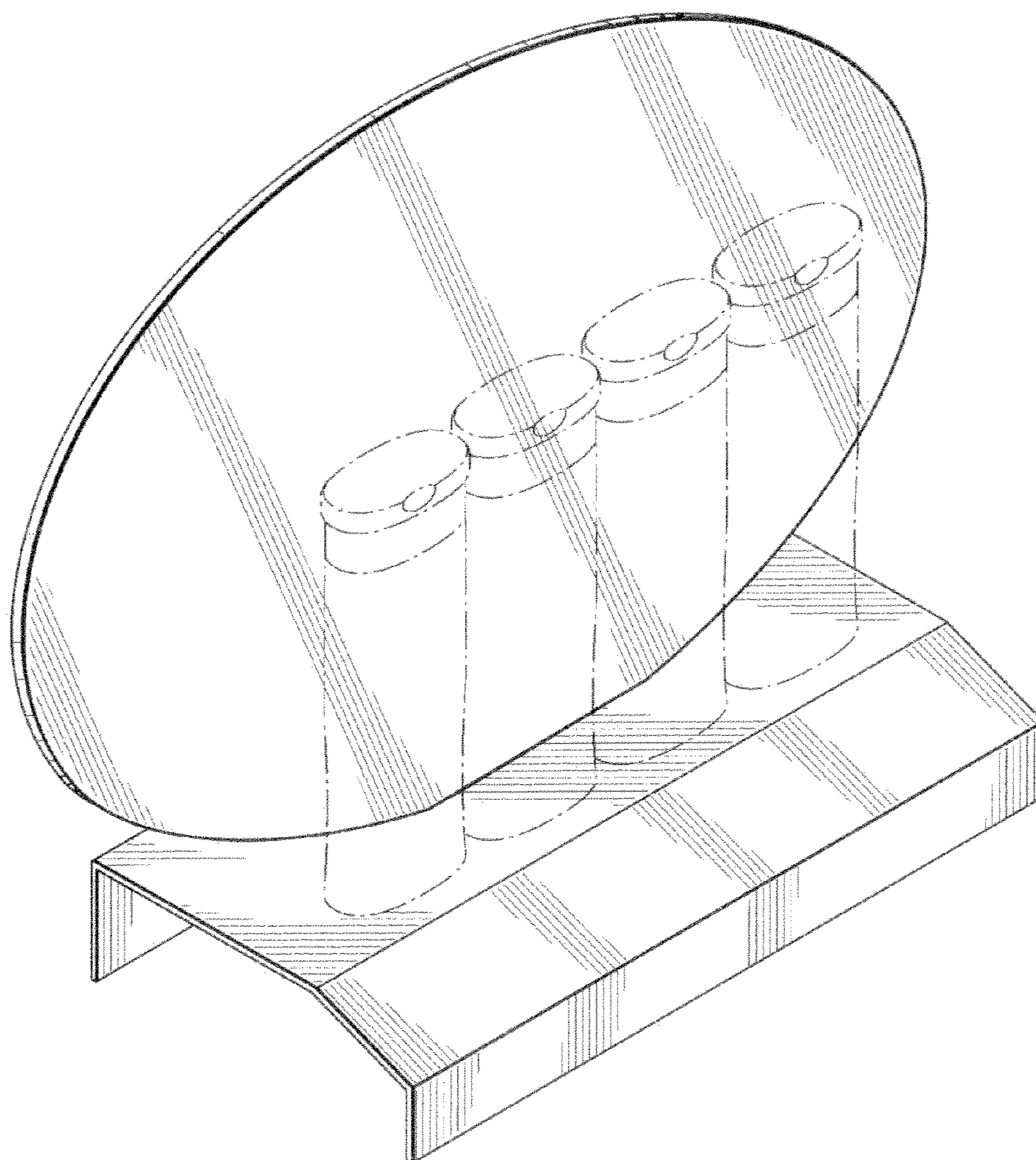


FIG. 13

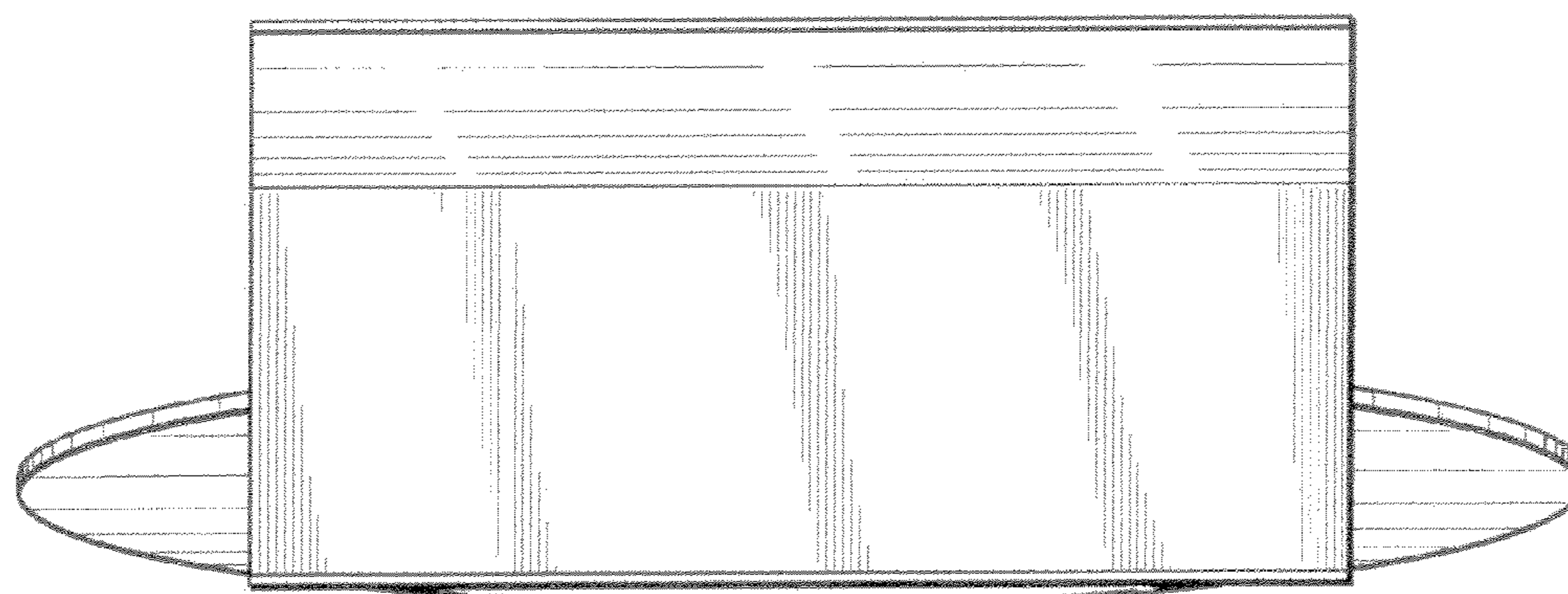


FIG. 18

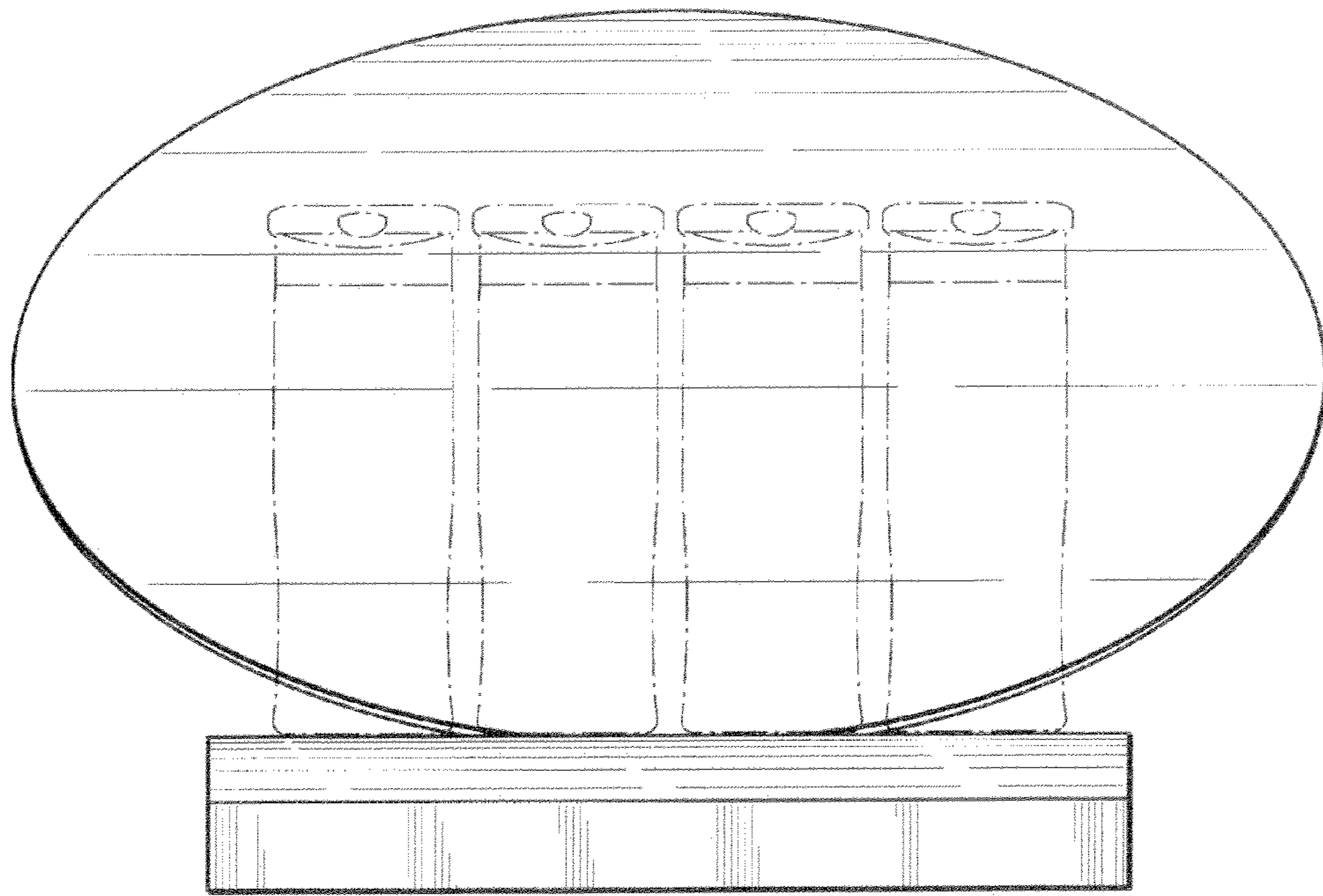


FIG. 14

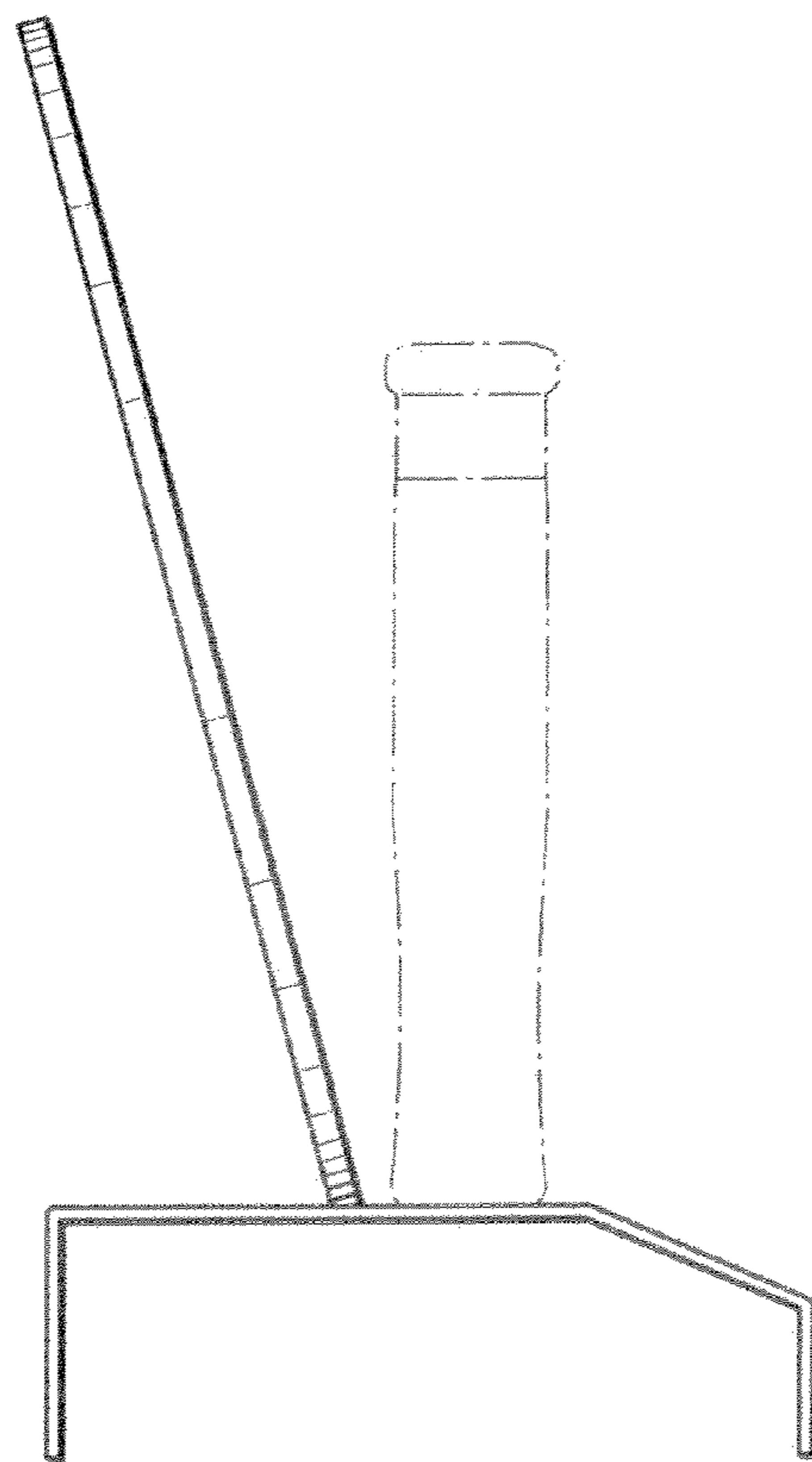


FIG. 15

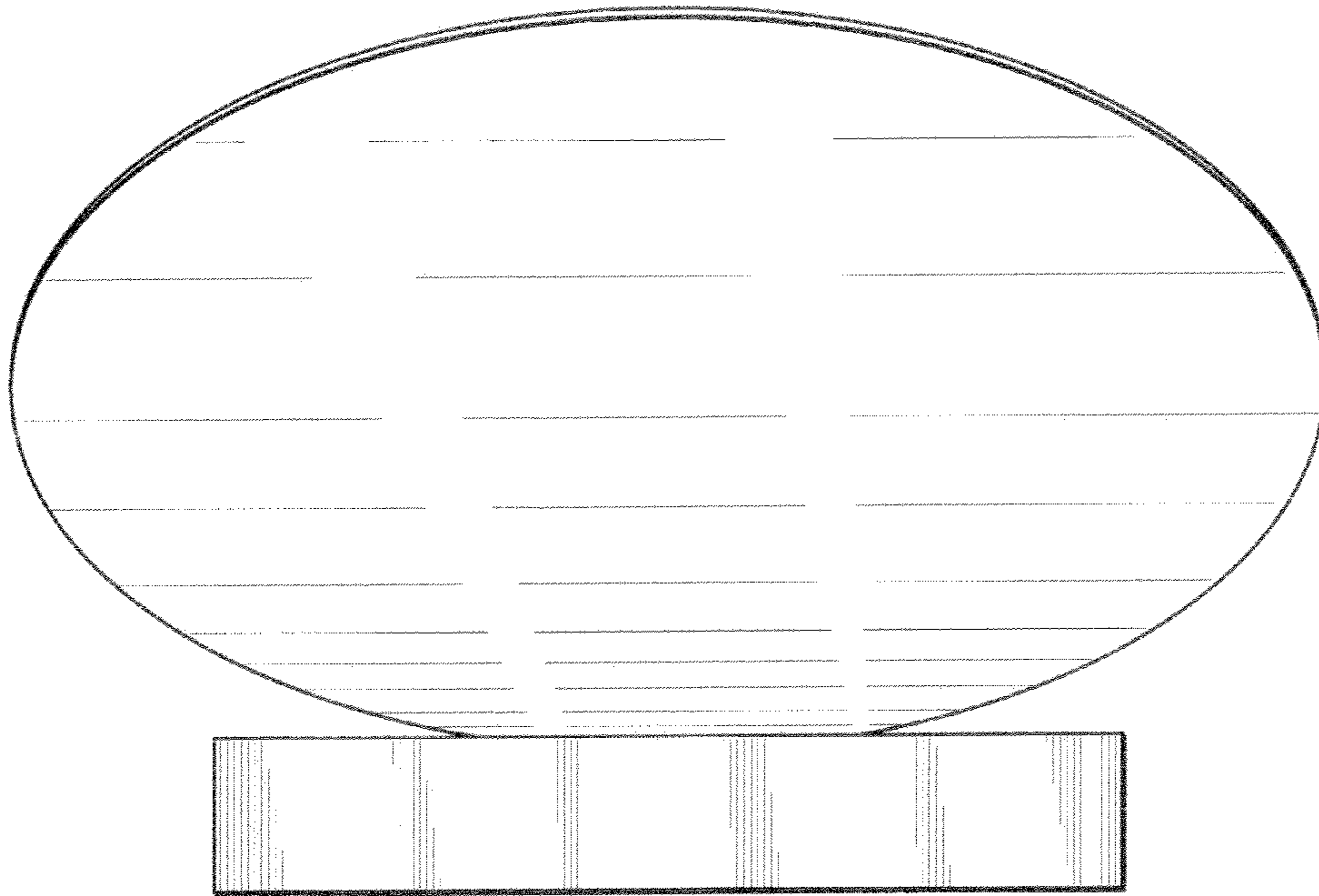


FIG. 16

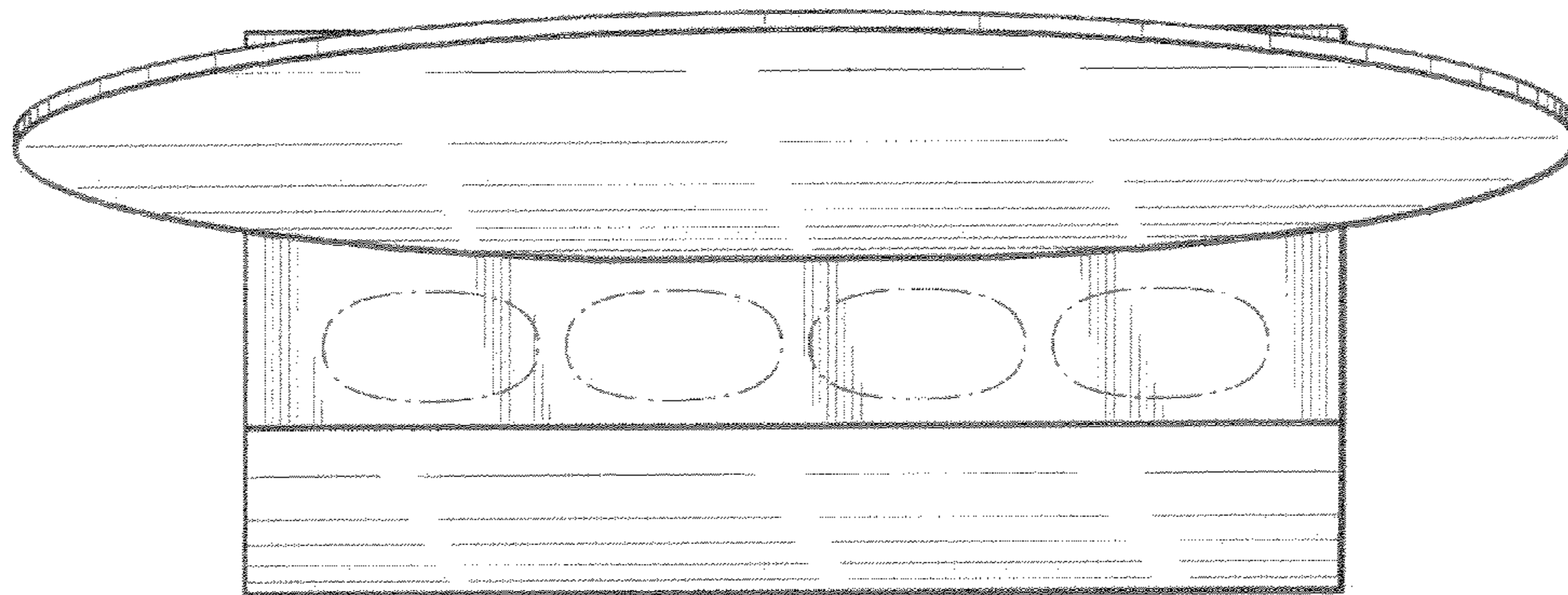


FIG. 17

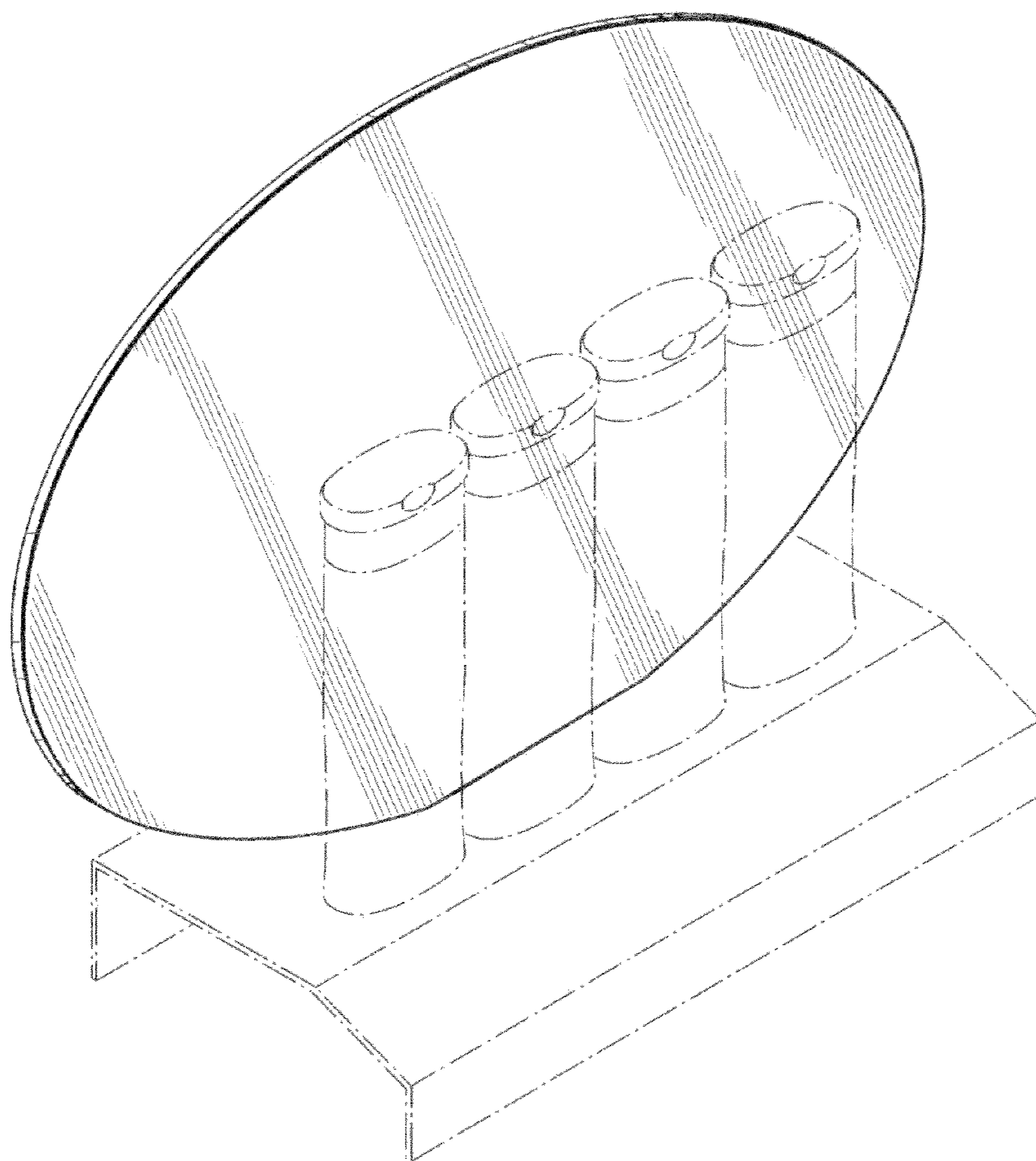


FIG. 19

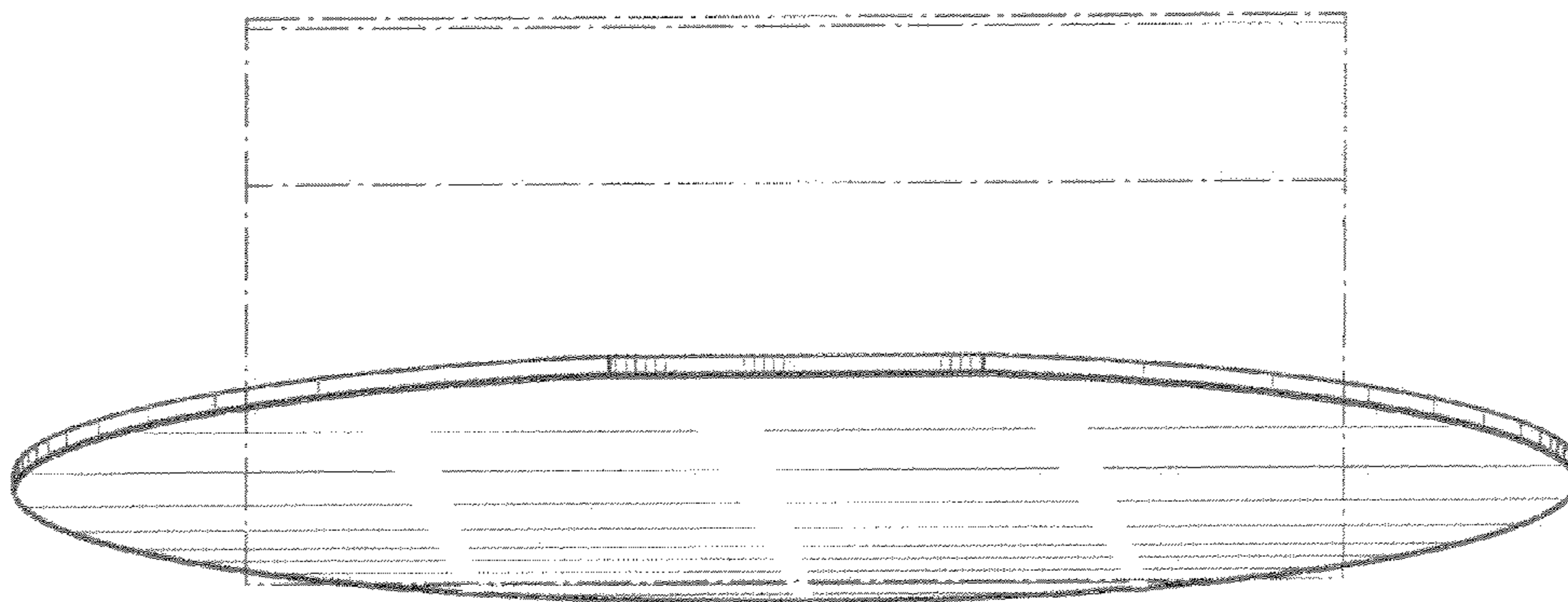


FIG. 24

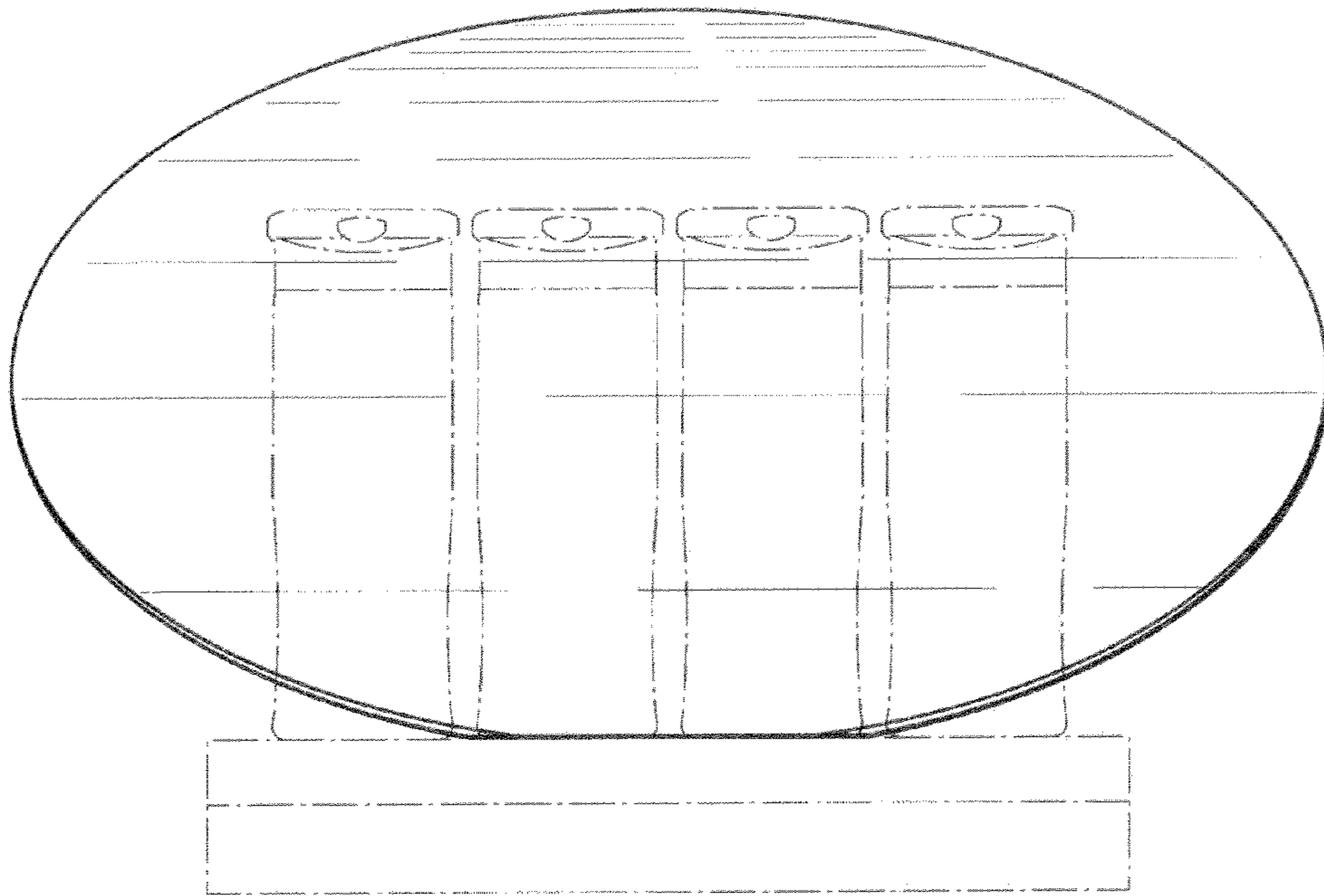


FIG. 20

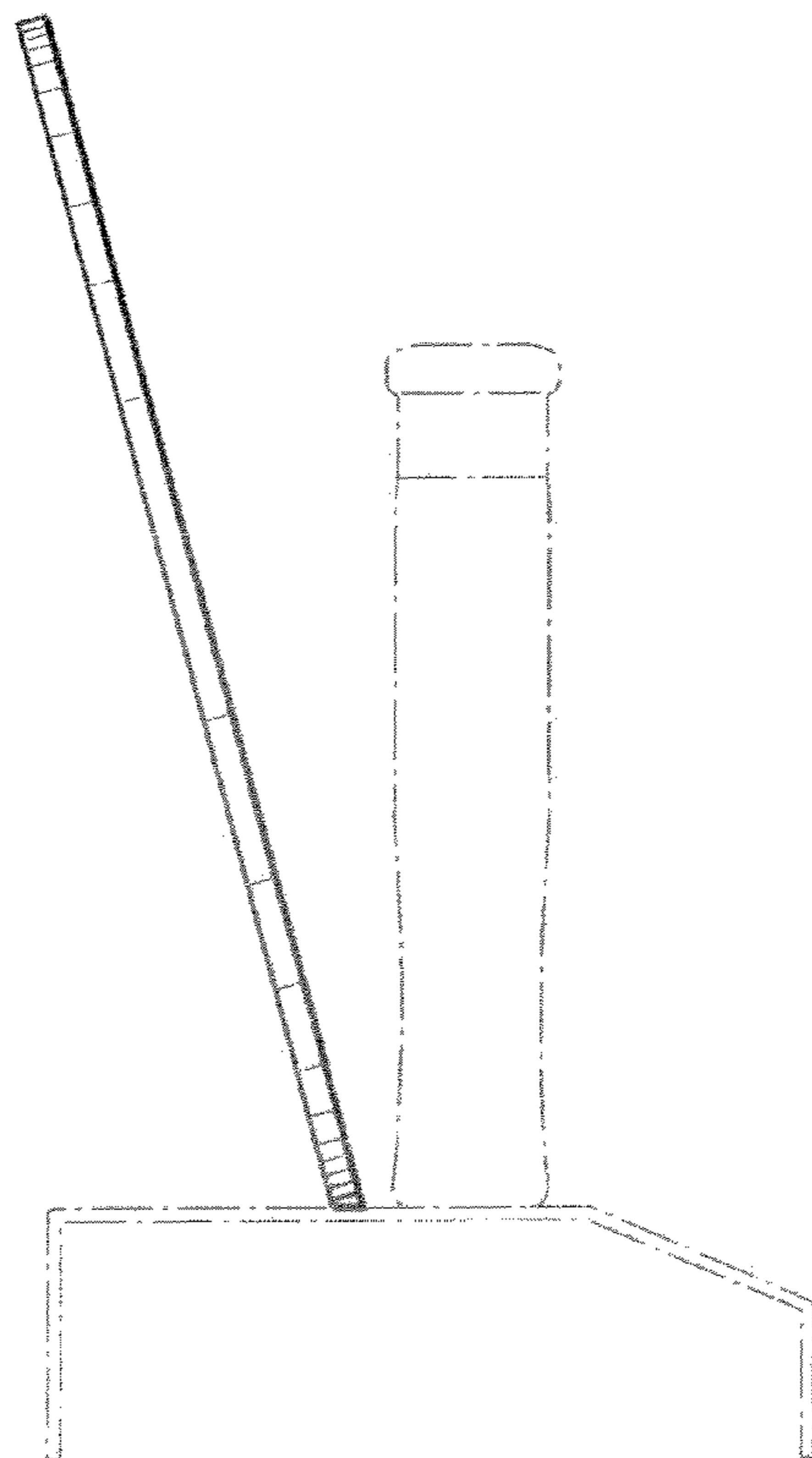


FIG. 21

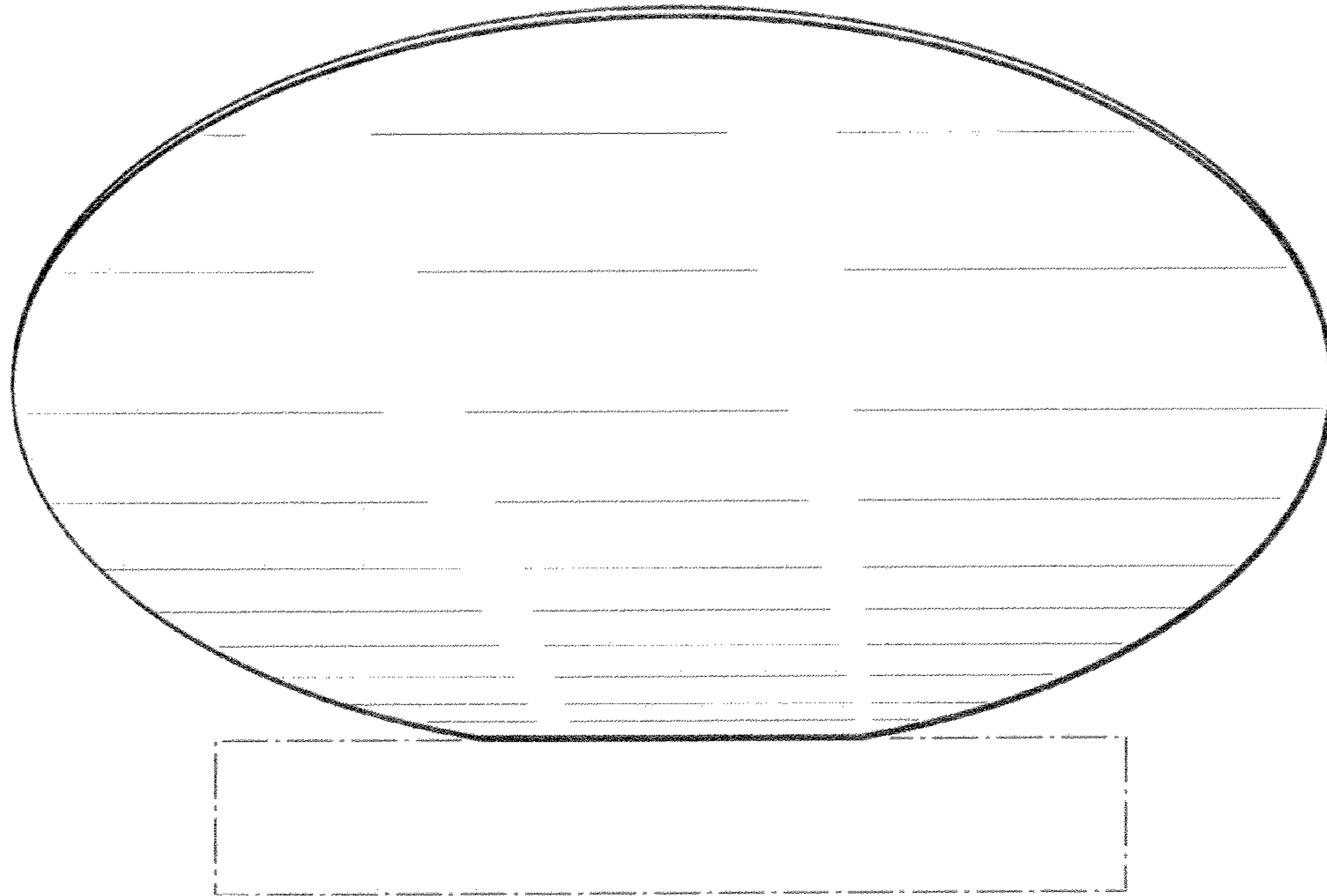


FIG. 22

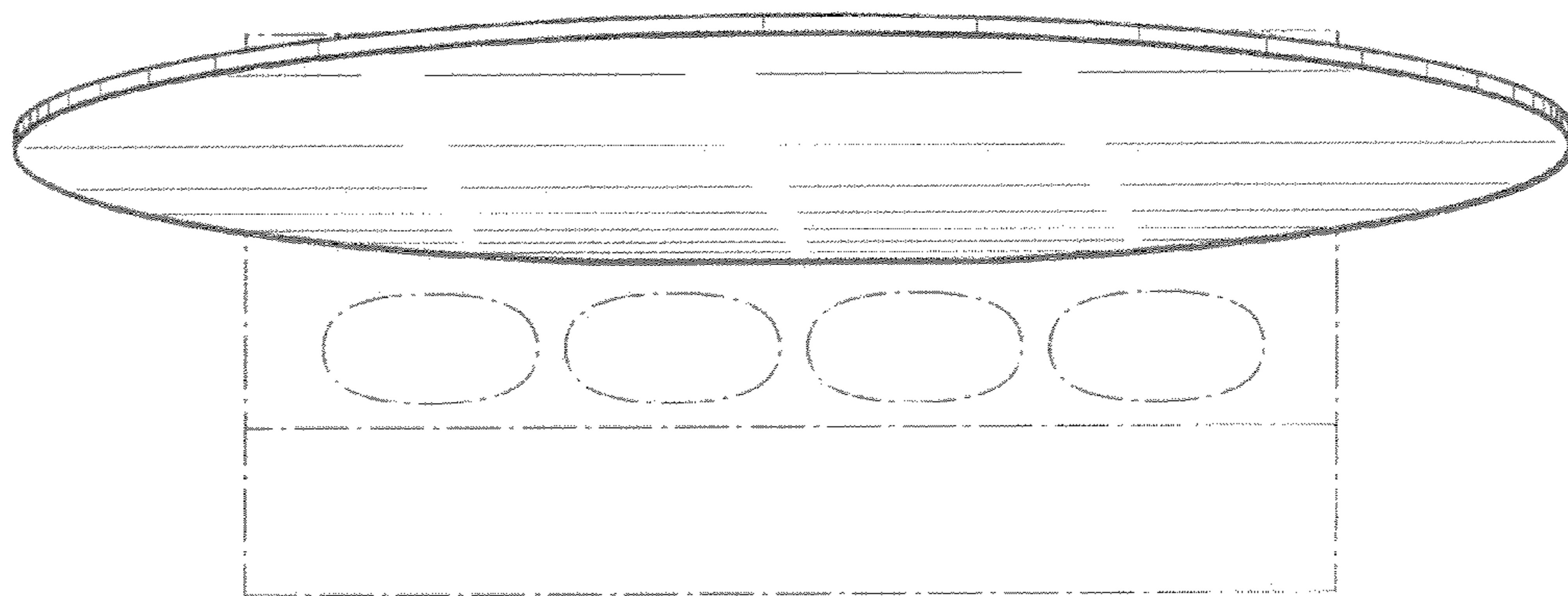


FIG. 23

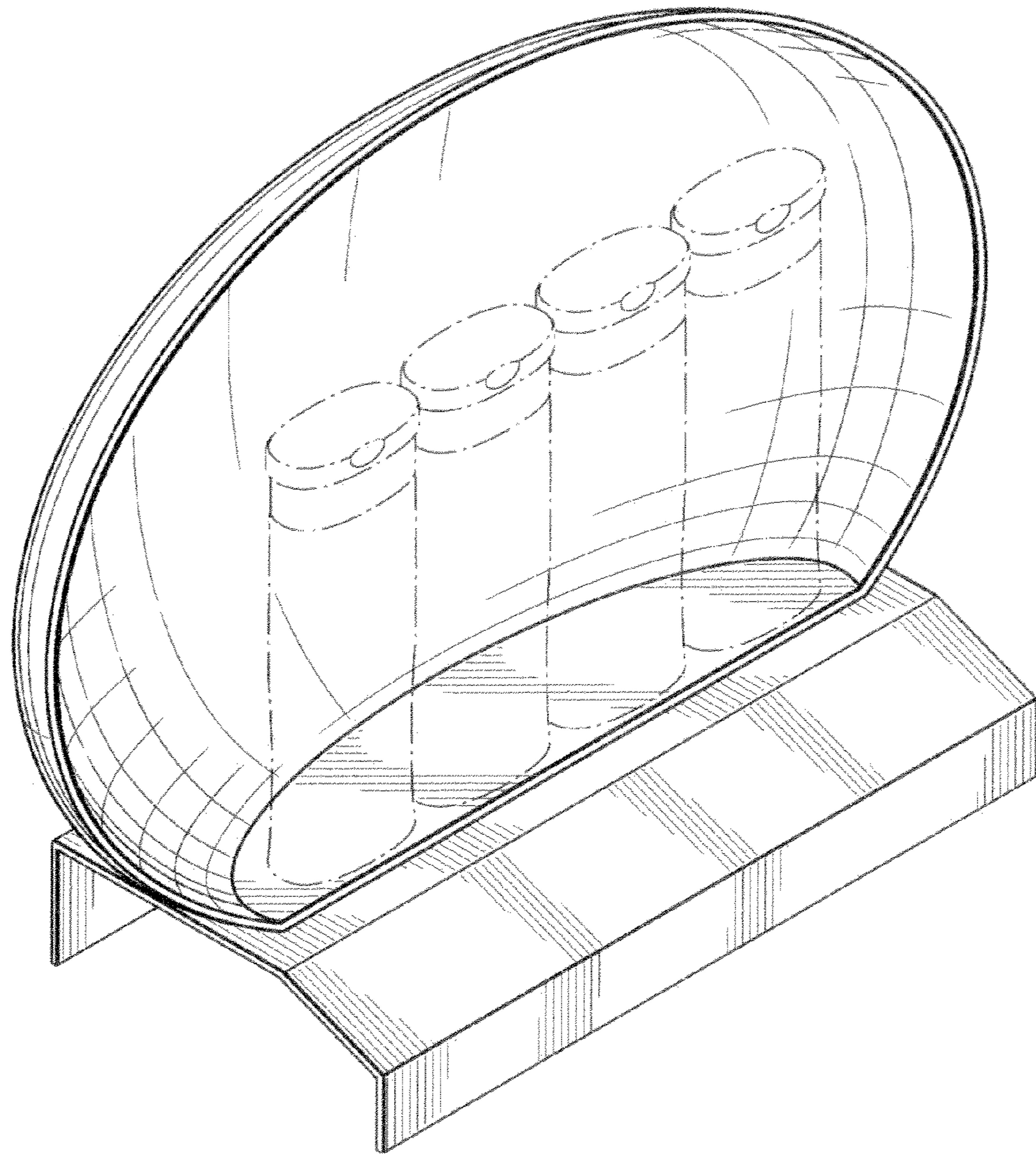


FIG. 25

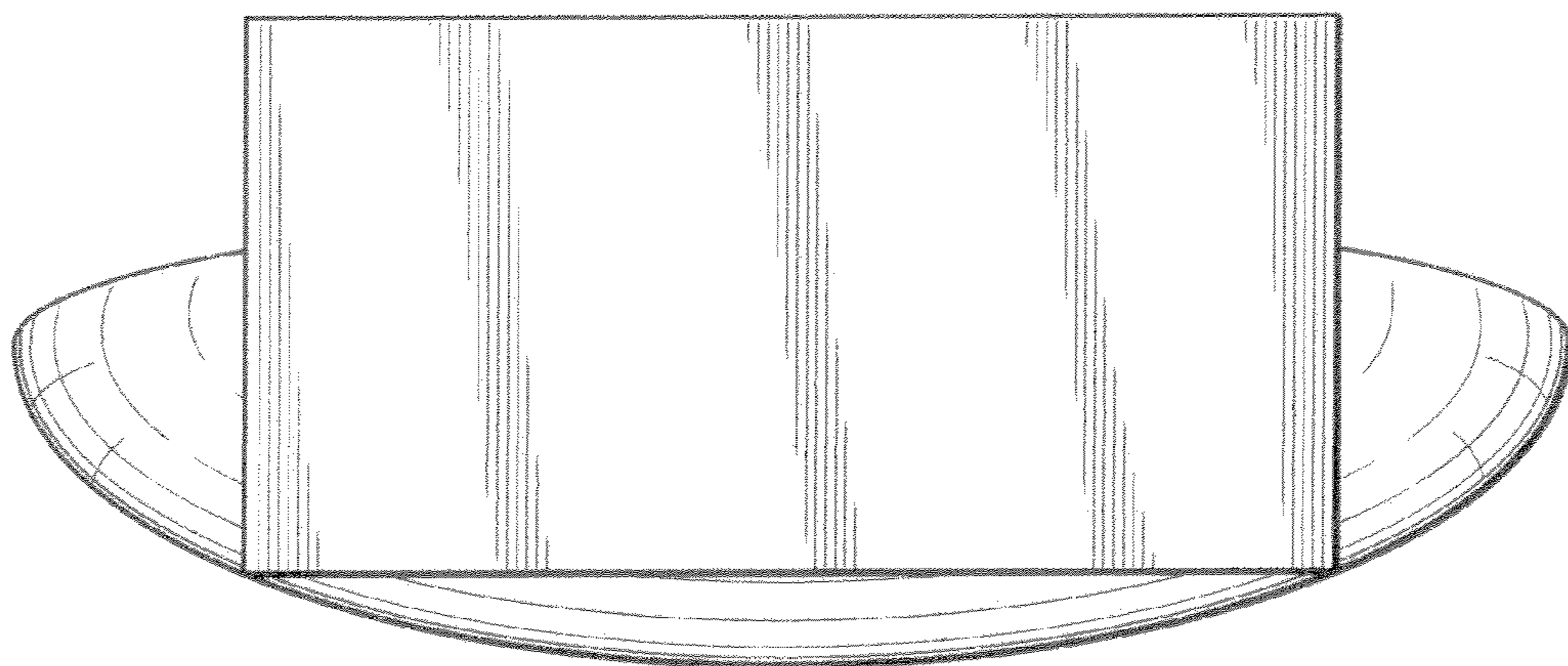


FIG. 30

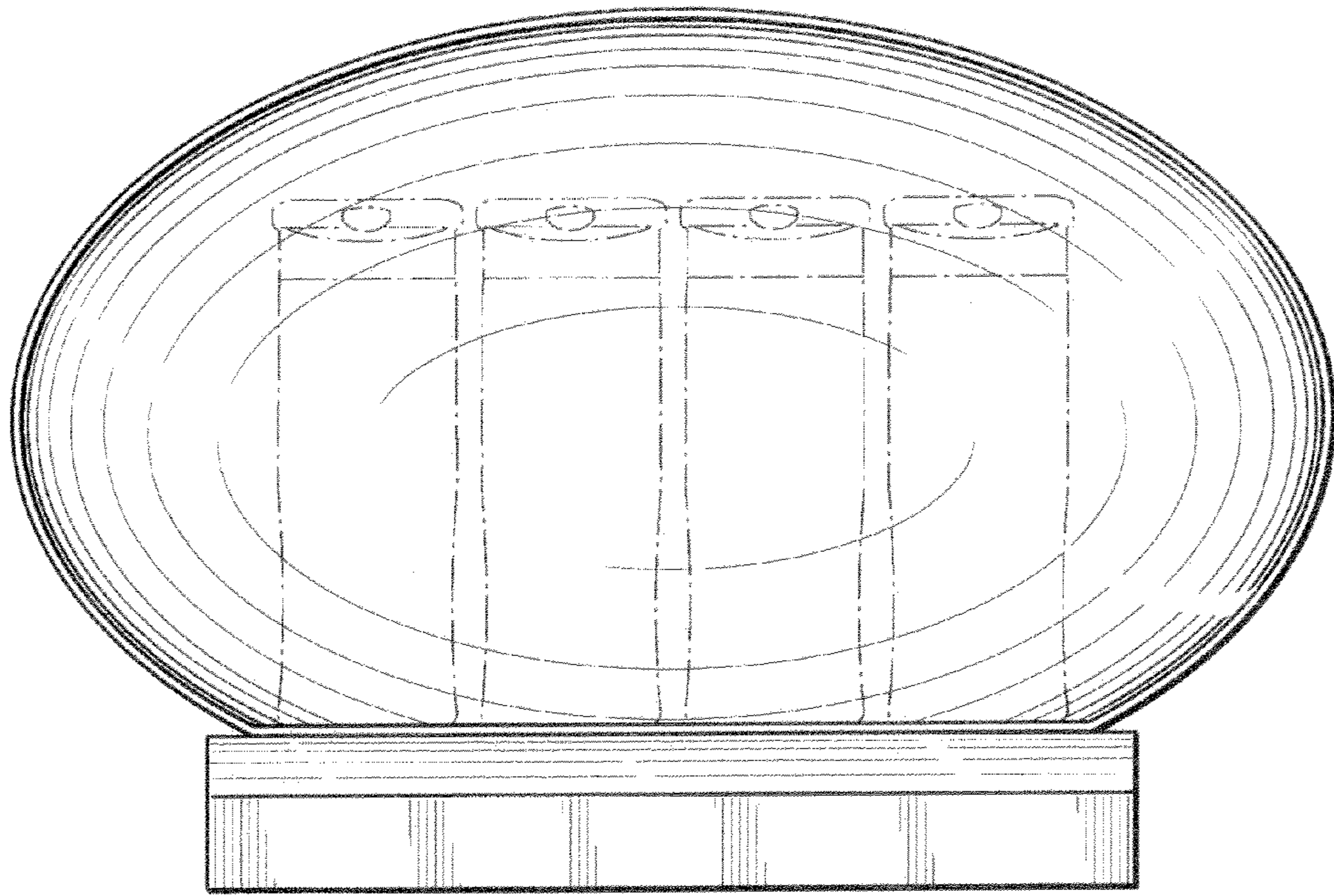


FIG. 26

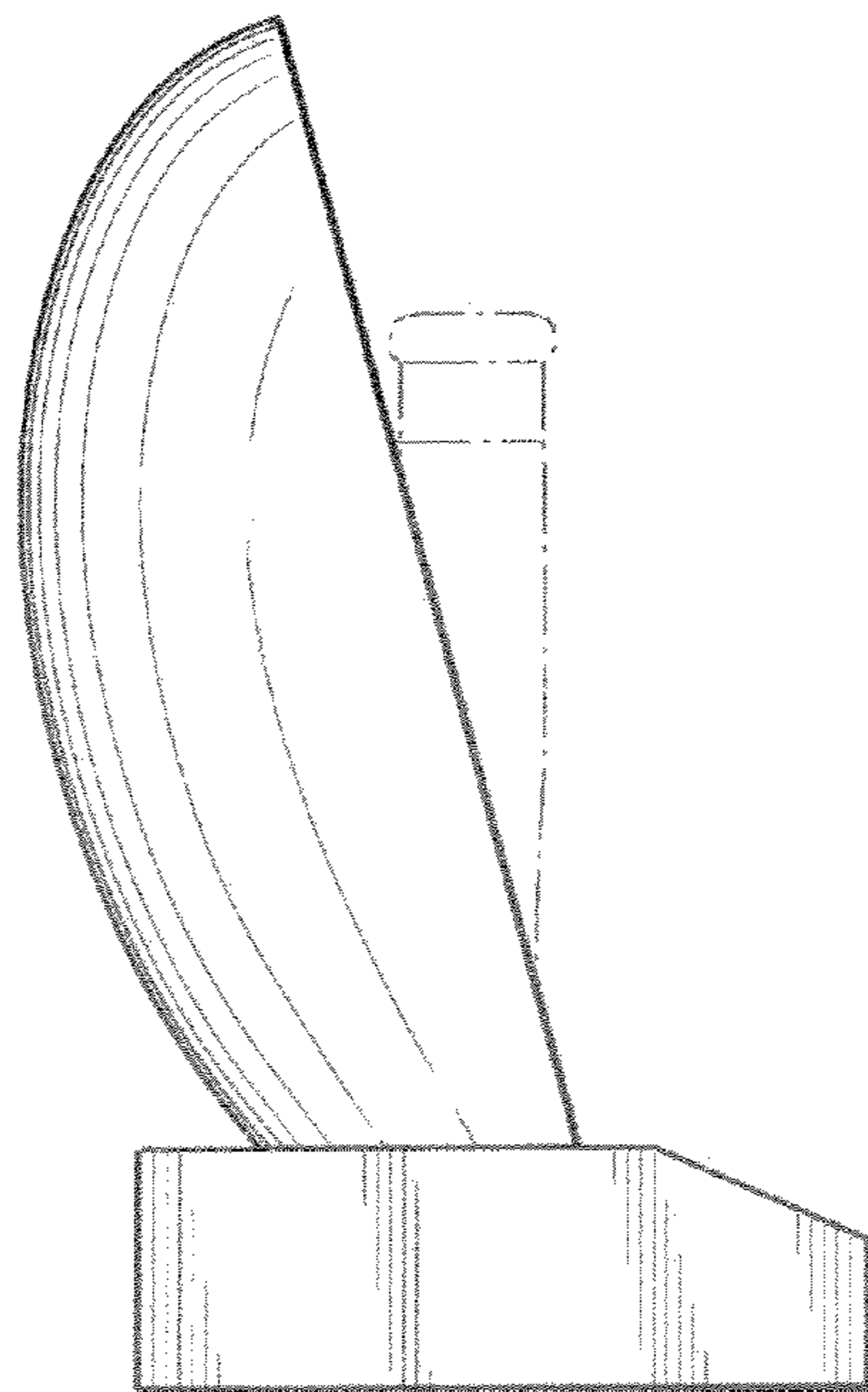


FIG. 27

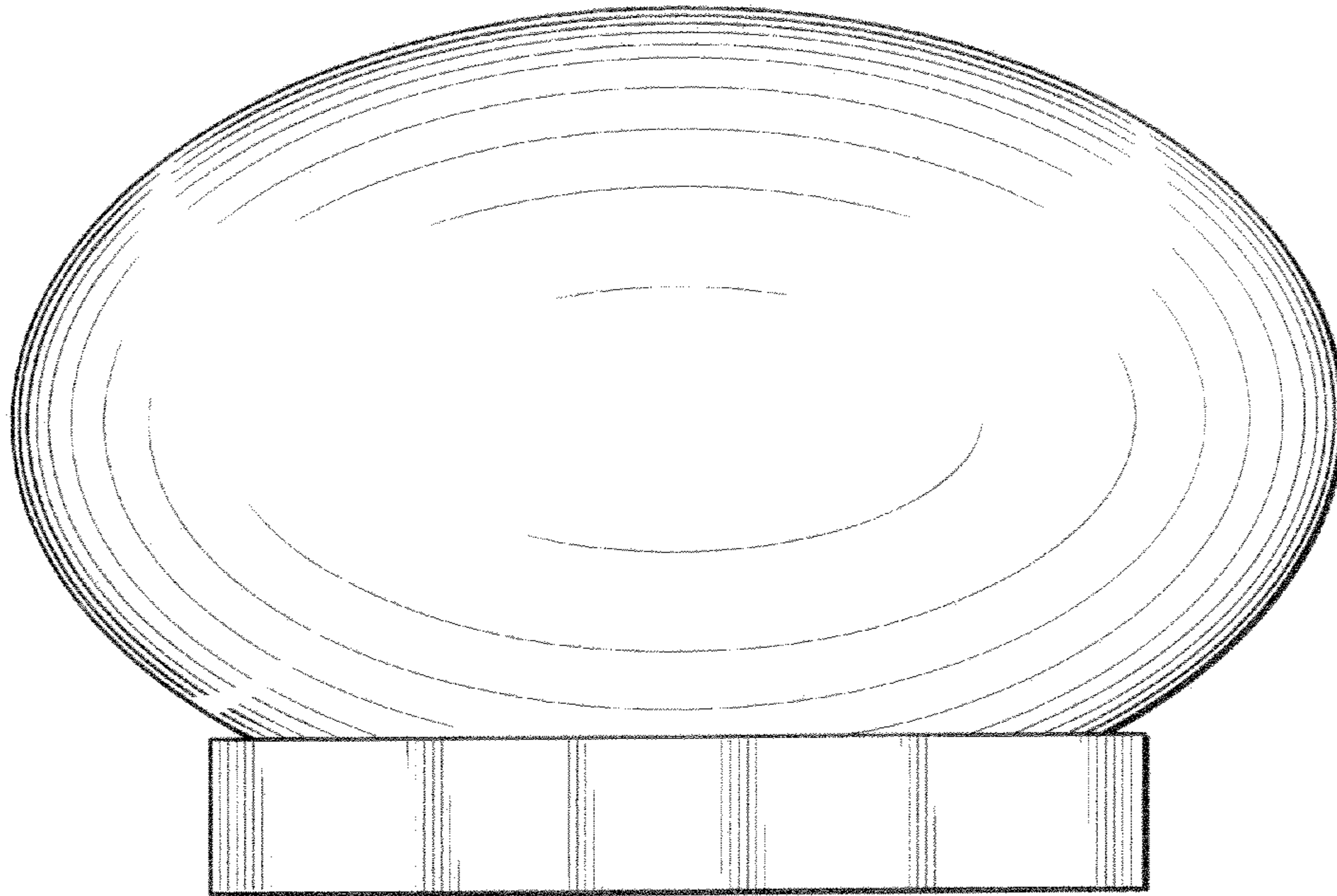


FIG. 28

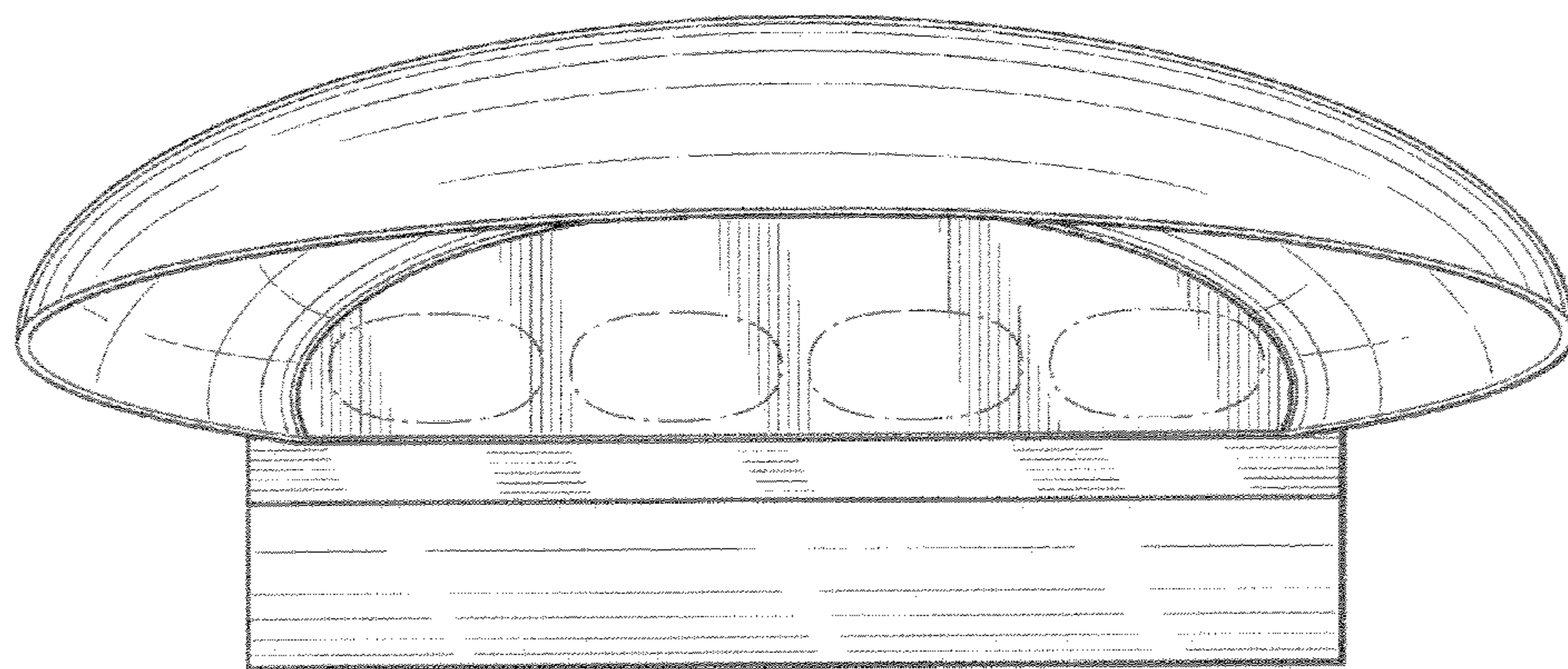


FIG. 29

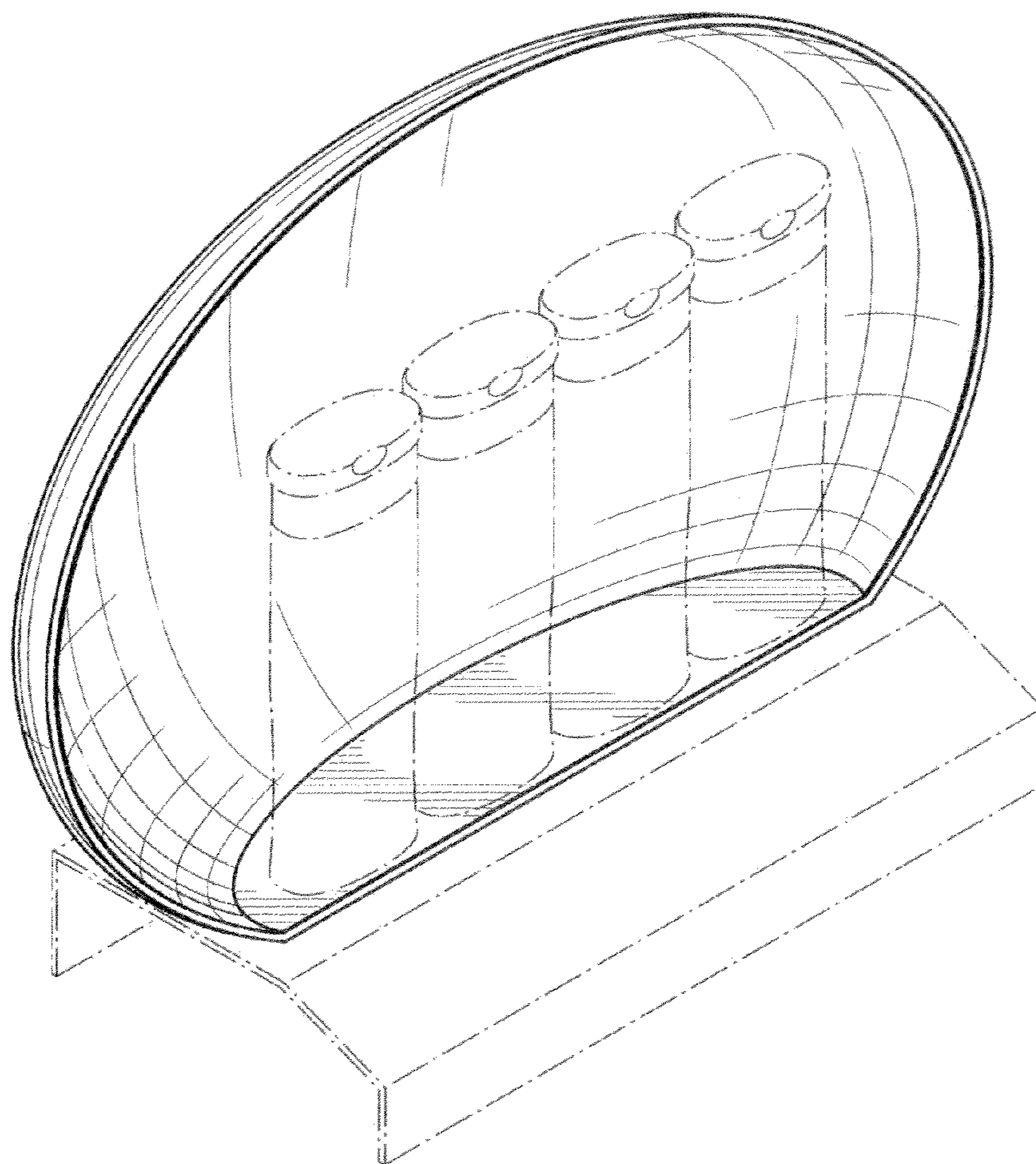


FIG. 31

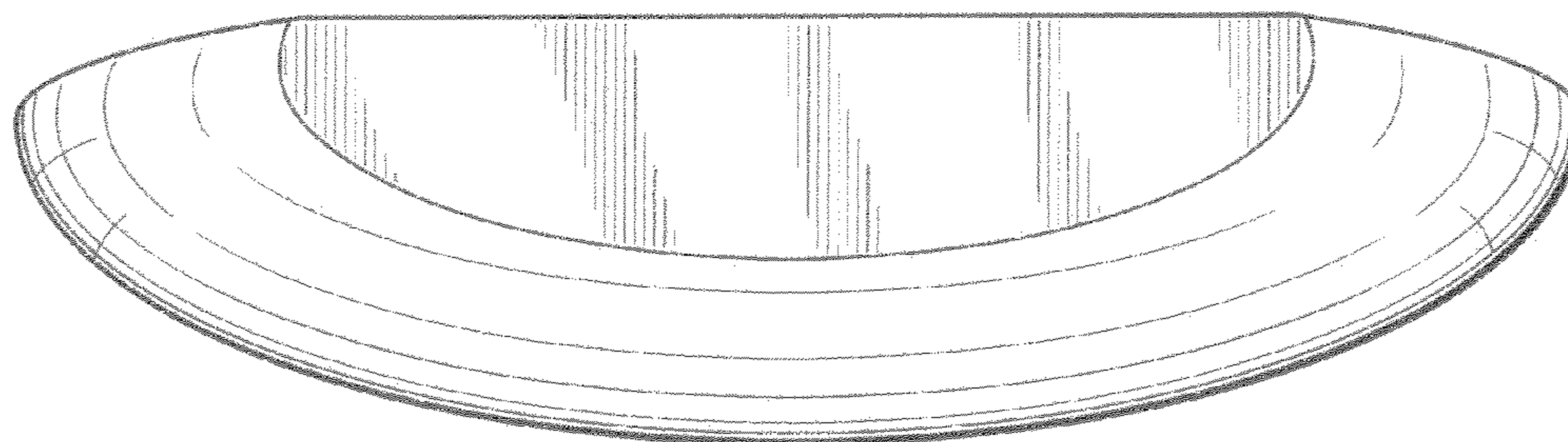


FIG. 36

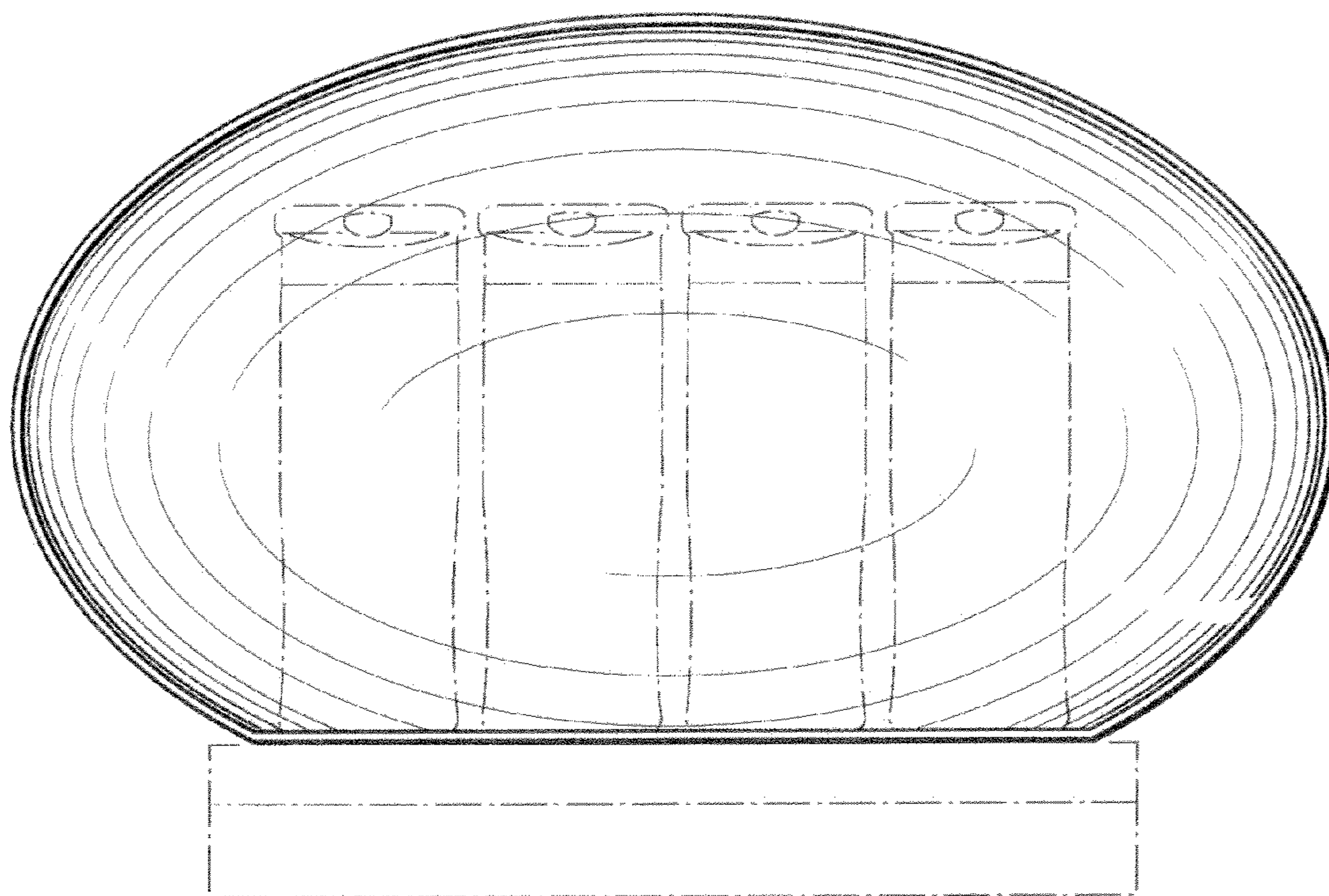


FIG. 32

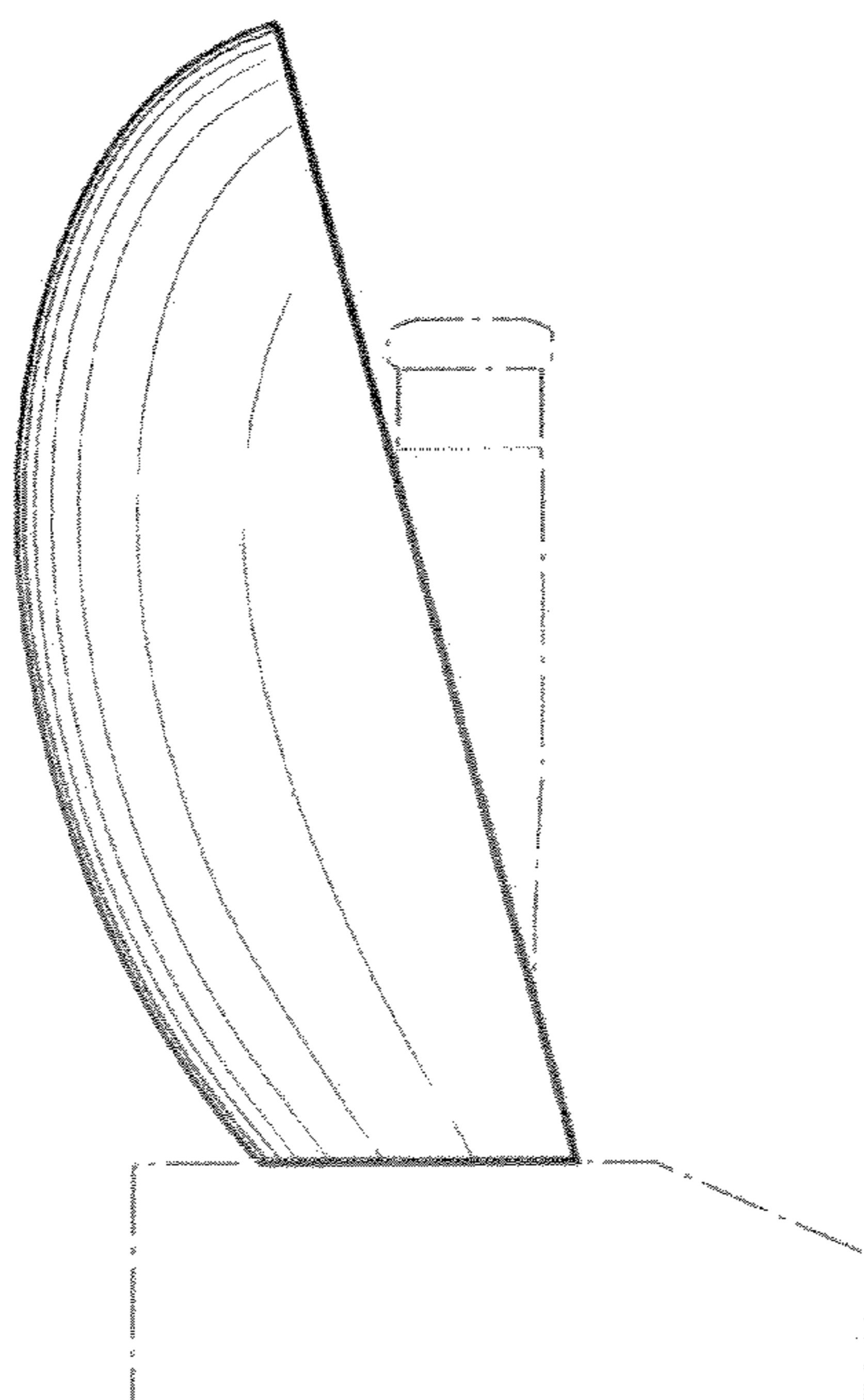


FIG. 33

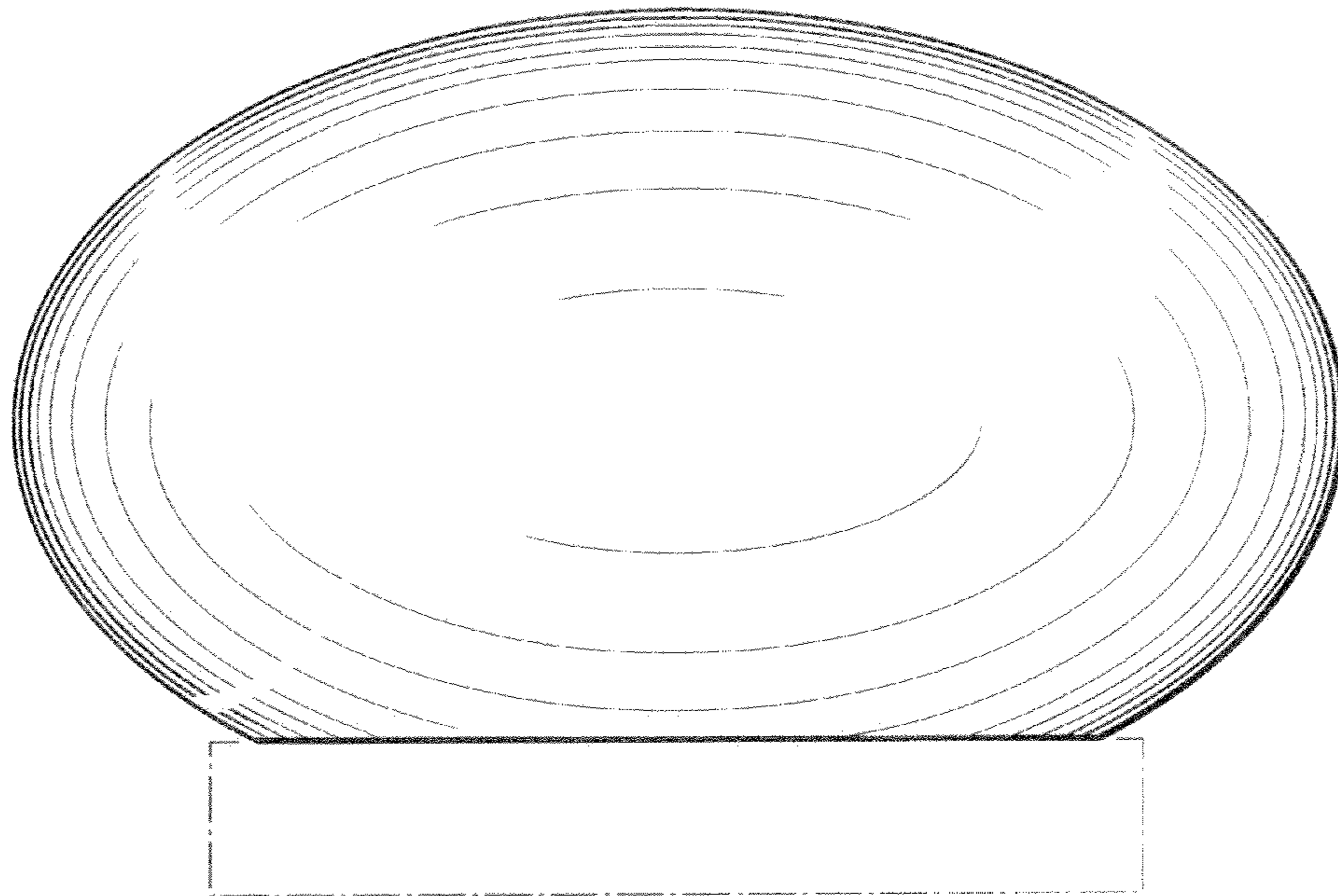


FIG. 34

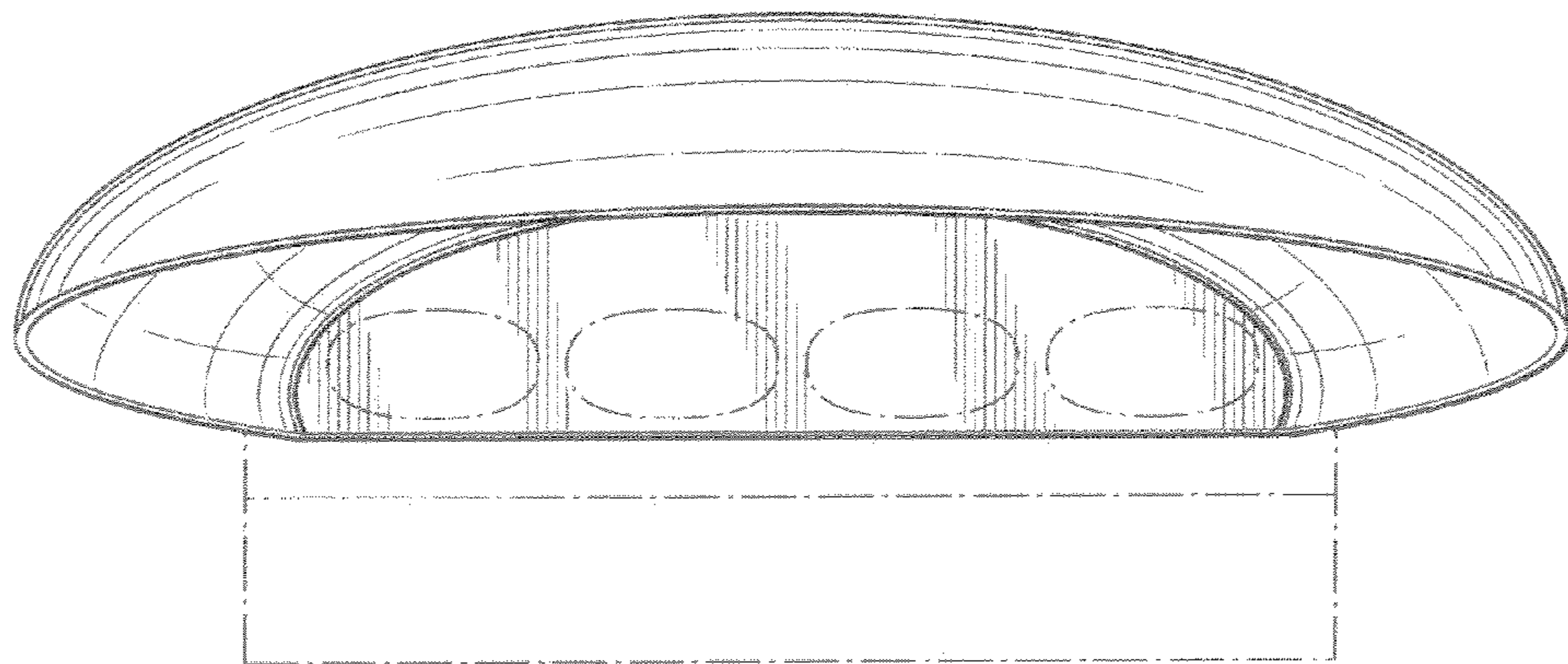


FIG. 35

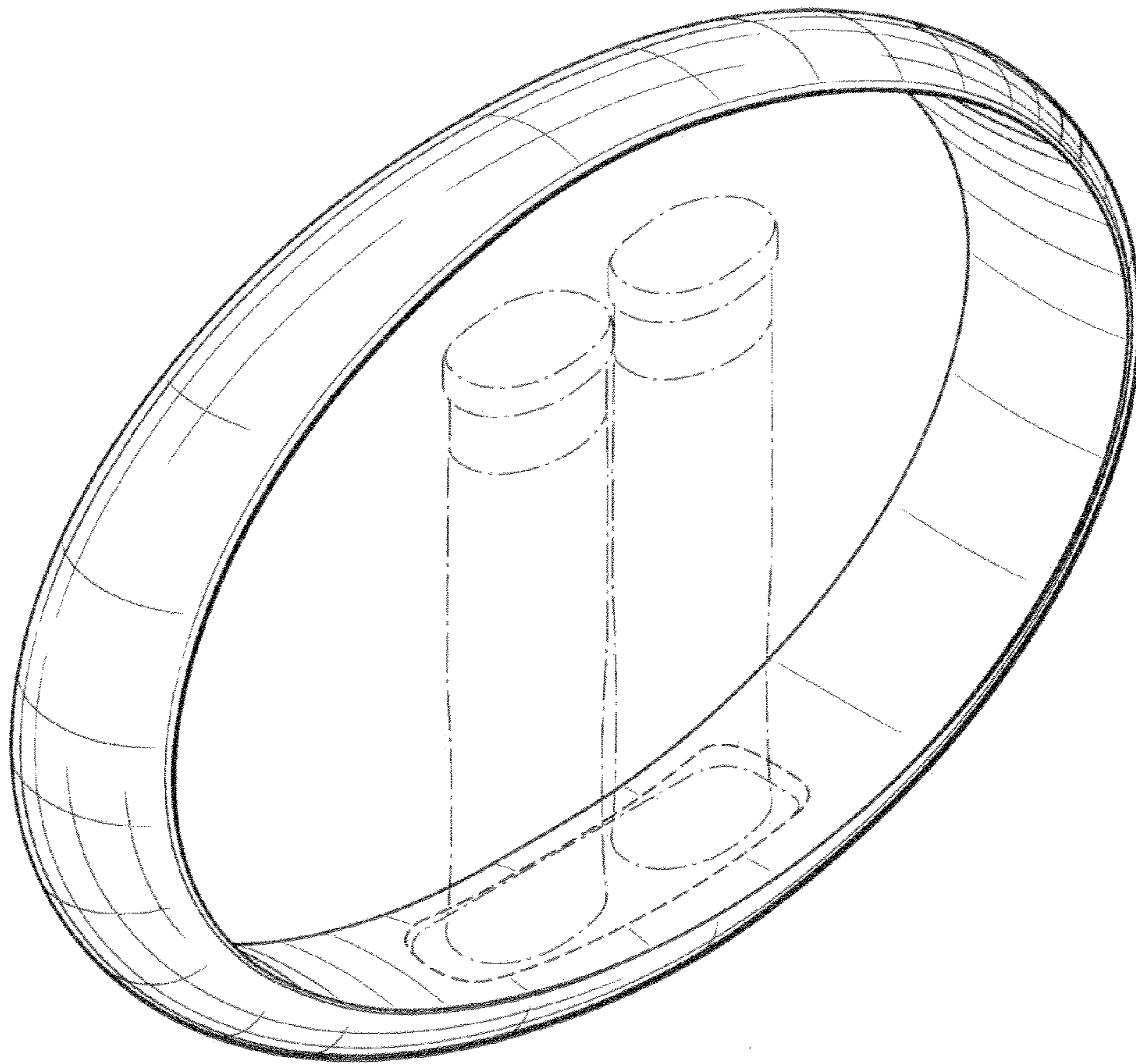


FIG. 37

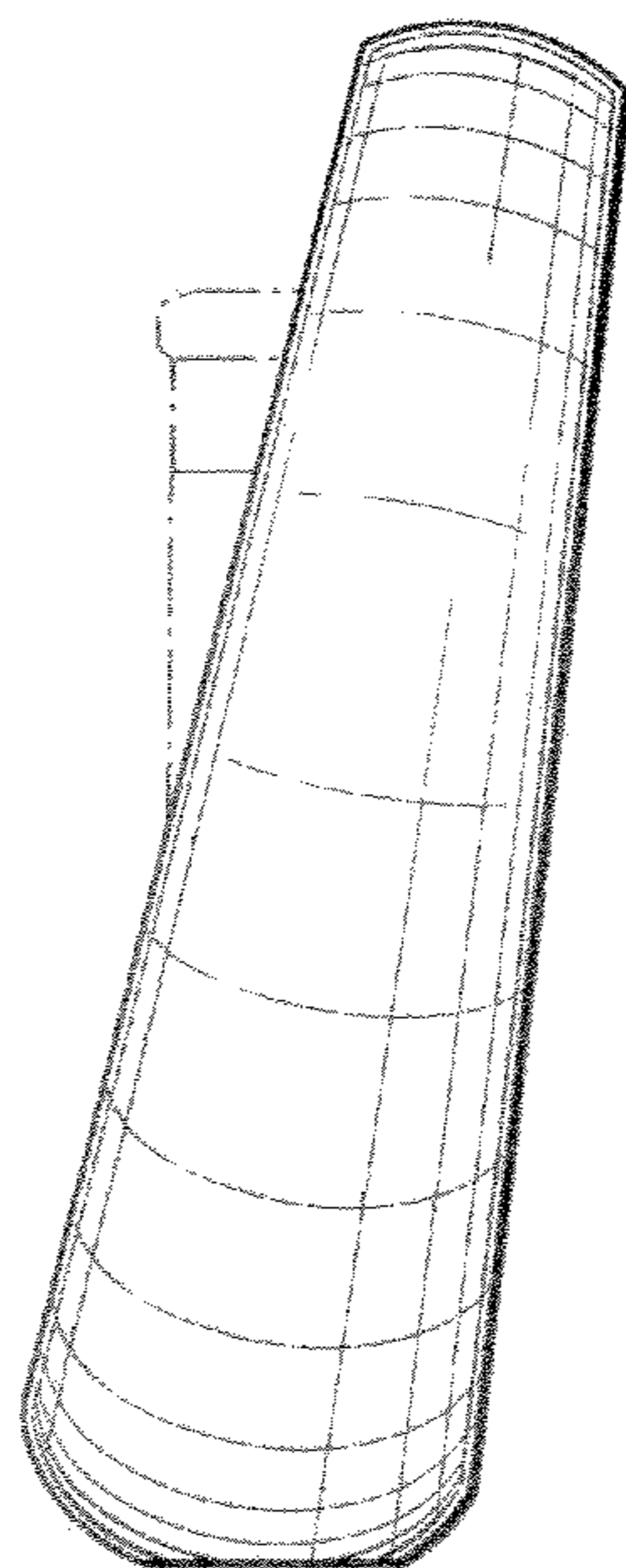
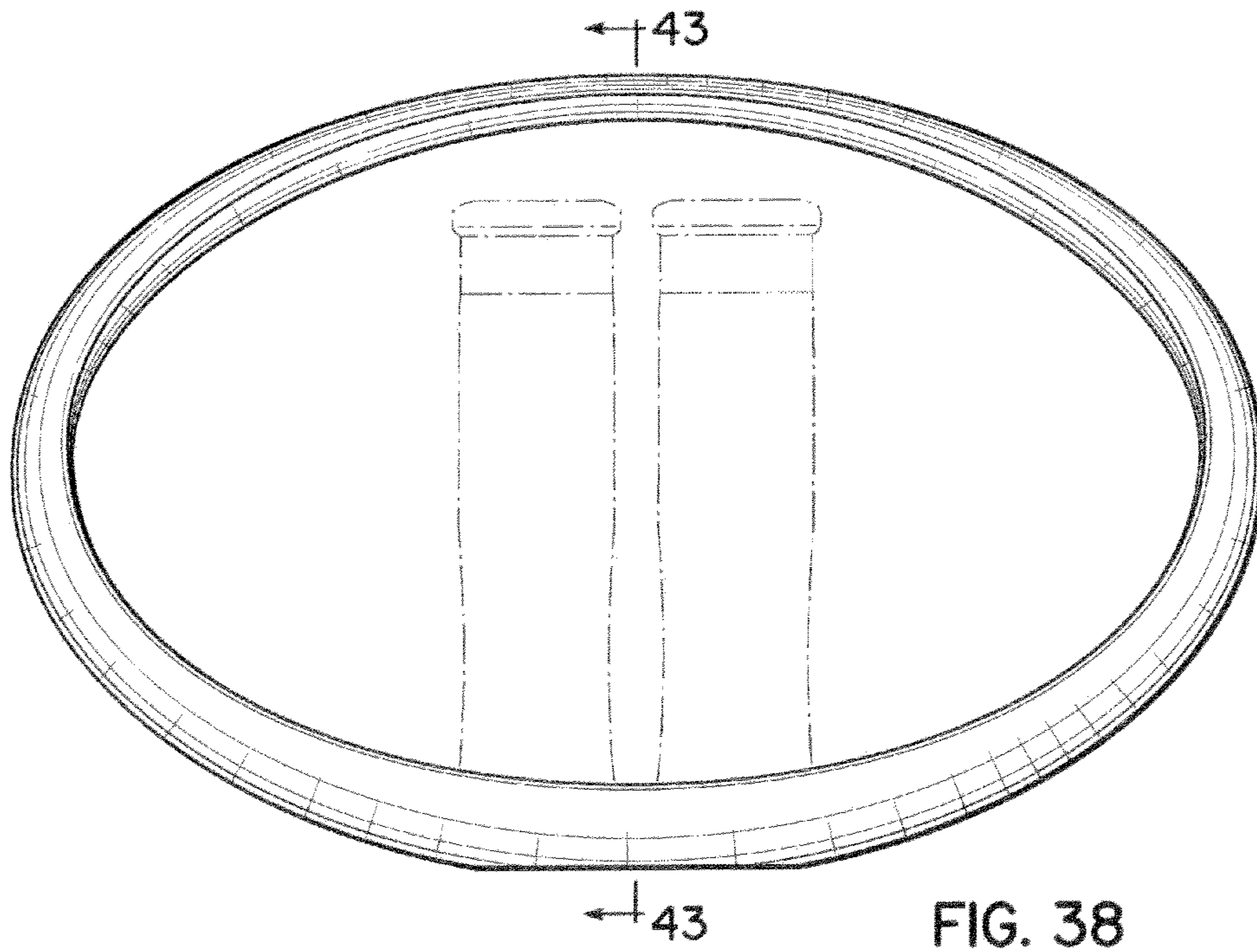


FIG. 39

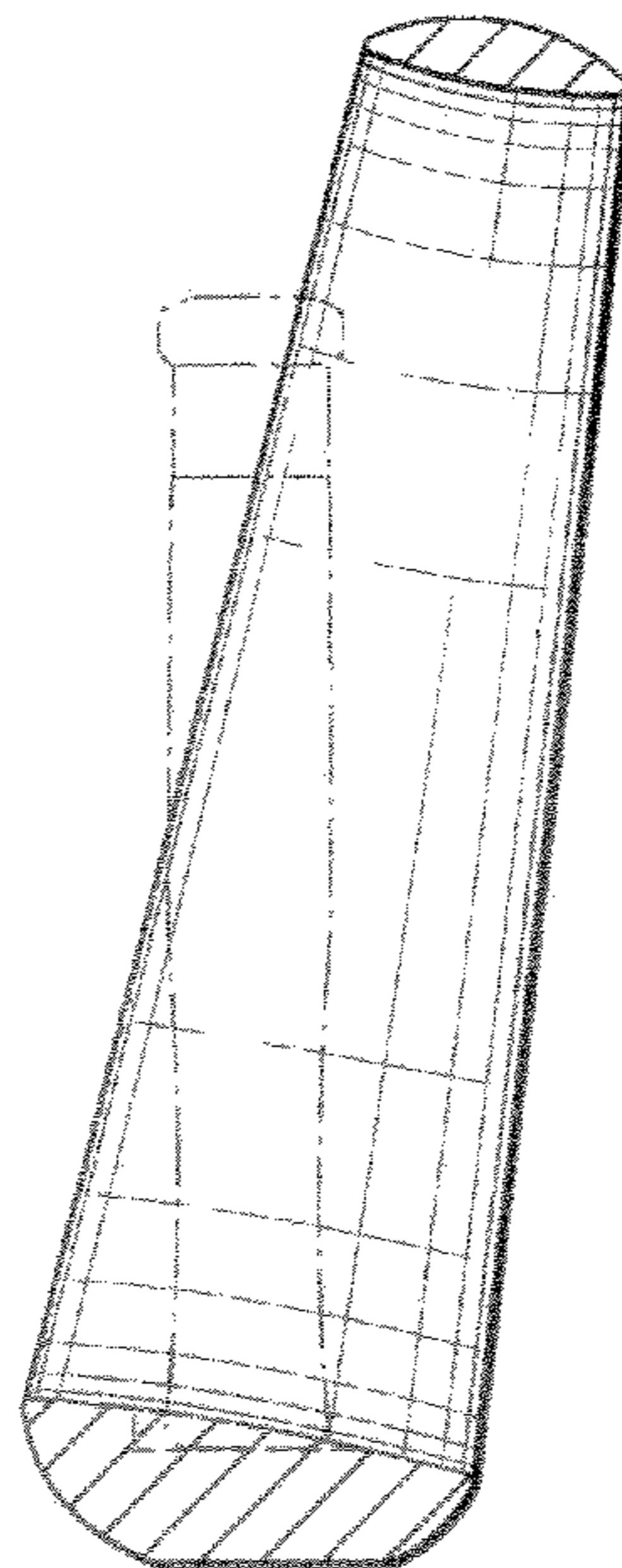


FIG. 43

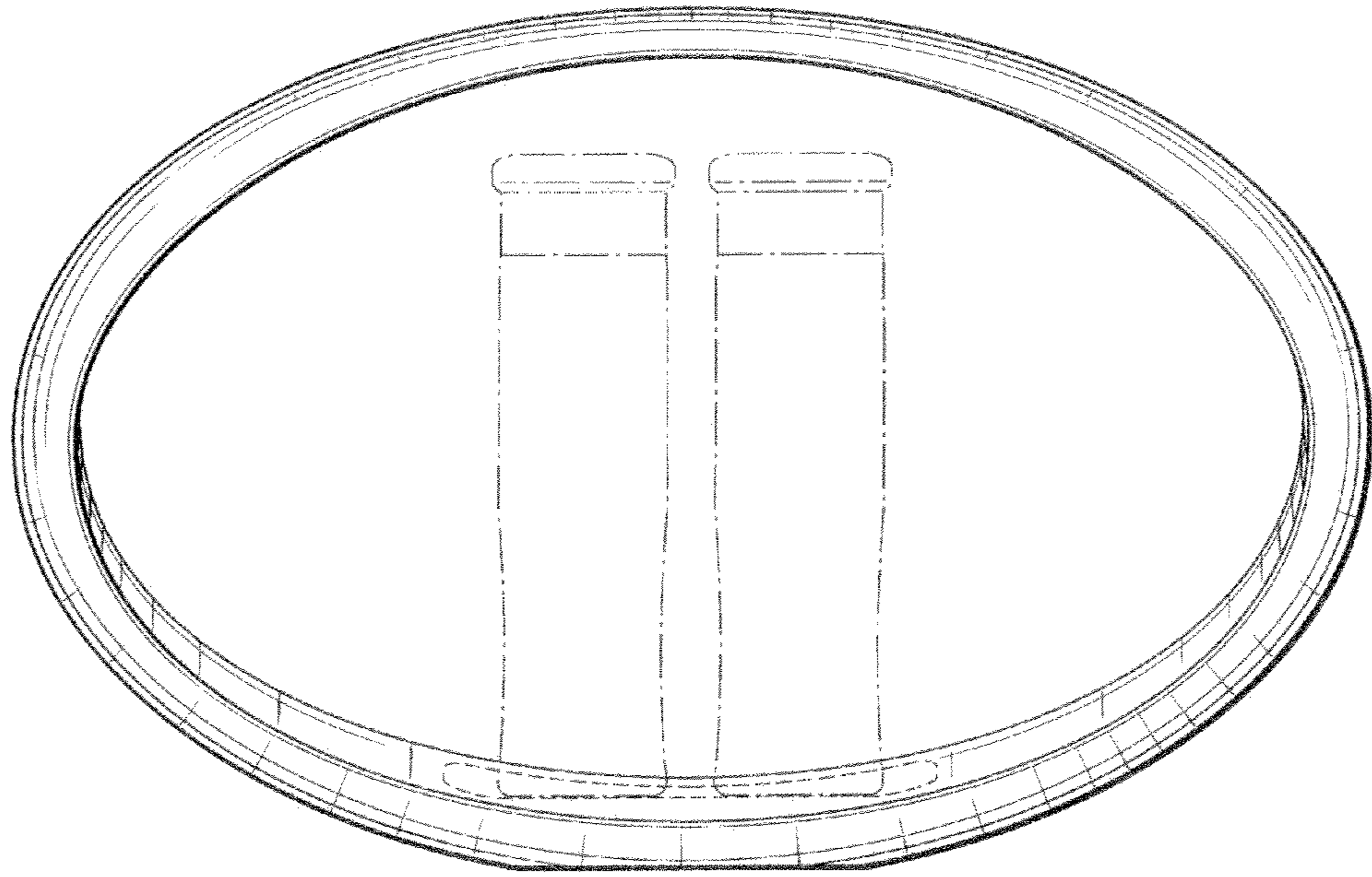


FIG. 40

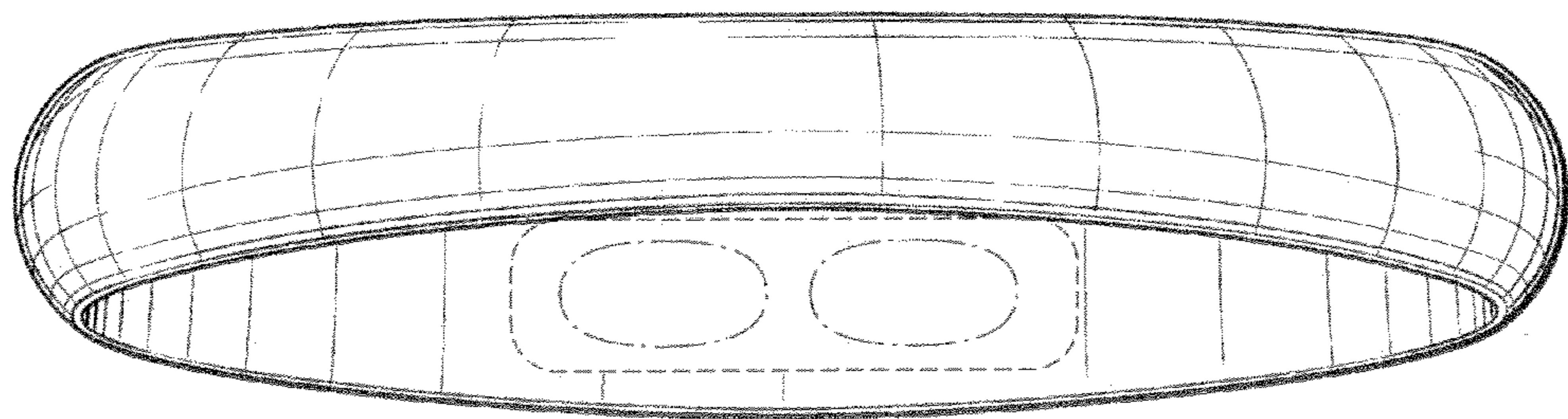


FIG. 41

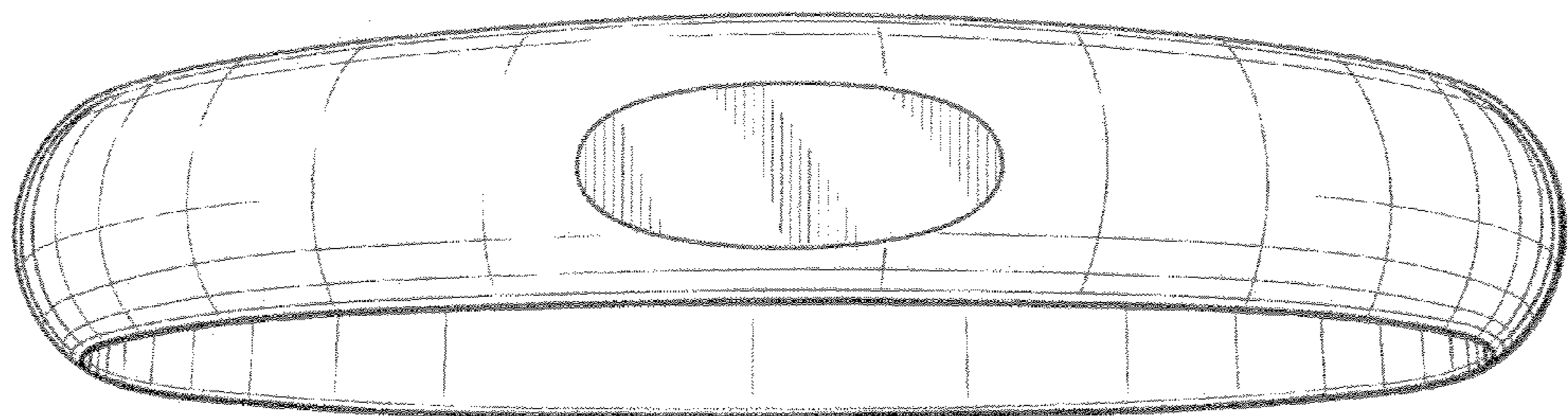


FIG. 42