



US00D716079S

(12) **United States Design Patent**
Su

(10) **Patent No.:** **US D716,079 S**
(45) **Date of Patent:** **** Oct. 28, 2014**

(54) **DISPLAY FIXTURE**
(75) Inventor: **Samuel Yuehli Su**, Alpine, NJ (US)
(73) Assignee: **Toy Wonders, Inc.**, Moonachie, NJ (US)
(**) Term: **14 Years**

D611,735 S * 3/2010 Stukenberg D6/484
D618,935 S * 7/2010 Metcalf et al. D6/484
D646,507 S * 10/2011 Delmestri D6/480
D654,719 S * 2/2012 Stukenberg D6/418
D681,371 S * 5/2013 Nagata D6/691.8
D685,198 S * 7/2013 Arko et al. D6/349
2002/0084726 A1 * 7/2002 O'Neill et al. 312/122
2003/0173321 A1 9/2003 Craft et al.

(21) Appl. No.: **29/396,836**
(22) Filed: **Jul. 7, 2011**
(51) **LOC (10) Cl.** **06-06**
(52) **U.S. Cl.**
USPC **D6/675.1**
(58) **Field of Classification Search**
USPC D6/336, 382, 396-397, 420, 429, 436,
D6/449, 466-467, 477-479, 675, 675.1;
D12/415; D3/302; 211/13.1, 42;
248/188, 188.1, 188.8; 108/150-152,
108/153.1, 157.1, 161
See application file for complete search history.

FOREIGN PATENT DOCUMENTS

GB 2232344 A 12/1990

* cited by examiner

Primary Examiner — Kelley Donnelly

(74) *Attorney, Agent, or Firm* — Nelson Mullins Riley & Scarborough, LLP

(57) **CLAIM**

The ornamental design for a display fixture, as shown and described.

(56) **References Cited**

U.S. PATENT DOCUMENTS

1,355,486 A 10/1920 Longenecker
2,564,338 A * 8/1951 McCarroll 108/62
2,944,780 A * 7/1960 Monk 248/218.4
3,674,229 A 7/1972 Keeler, II
D244,889 S * 7/1977 Neuschwander D6/397
4,050,386 A 9/1977 Kellogg
4,158,336 A 6/1979 Brescia et al.
D257,995 S * 1/1981 Mikkelsen et al. D3/302
D267,293 S * 12/1982 Georgi D6/397
D275,160 S * 8/1984 Shelton D6/483
5,158,187 A 10/1992 Taub
D388,634 S * 1/1998 Mulligan et al. D6/436
5,722,544 A 3/1998 Williams
5,918,751 A 7/1999 Kelly
5,941,183 A * 8/1999 Ming-Shun 108/153.1
D426,033 S * 5/2000 Rooks D30/104
6,079,339 A 6/2000 Houk, Jr. et al.
6,178,896 B1 1/2001 Houk, Jr. et al.
D446,665 S * 8/2001 Hutton D6/436
6,948,435 B1 * 9/2005 Sheng 108/192
D528,828 S * 9/2006 Sandler D6/480
D532,999 S * 12/2006 Domack et al. D6/480
D597,328 S * 8/2009 Schweikarth et al. D6/355

DESCRIPTION

The present application is related to commonly-owned U.S. patent application Ser. No. 13/178,207, entitled "Display Fixture," which is filed concurrently herewith and which is incorporated by reference herein in its entirety for all purposes. FIG. 1 shows a perspective view of a display fixture showing an embodiment of my design with a plurality of shelves; FIG. 2 shows a front elevation view of the display fixture of FIG. 1; FIG. 3 shows a side elevation view of the display fixture of FIG. 1; FIG. 4 shows a rear elevation view of the display fixture of FIG. 1; FIG. 5 shows a top plan view of an upper shelf of the display fixture of FIG. 1, with corner posts shown in FIGS. 9 through 16 attached; FIG. 6 shows a bottom plan view of the upper shelf of FIG. 5, with corner posts shown in FIGS. 9 through 16 attached; FIG. 7 shows a top plan view of the bottommost shelf of the display fixture of FIG. 1, with bottom support posts shown in FIGS. 17 through 24 attached;

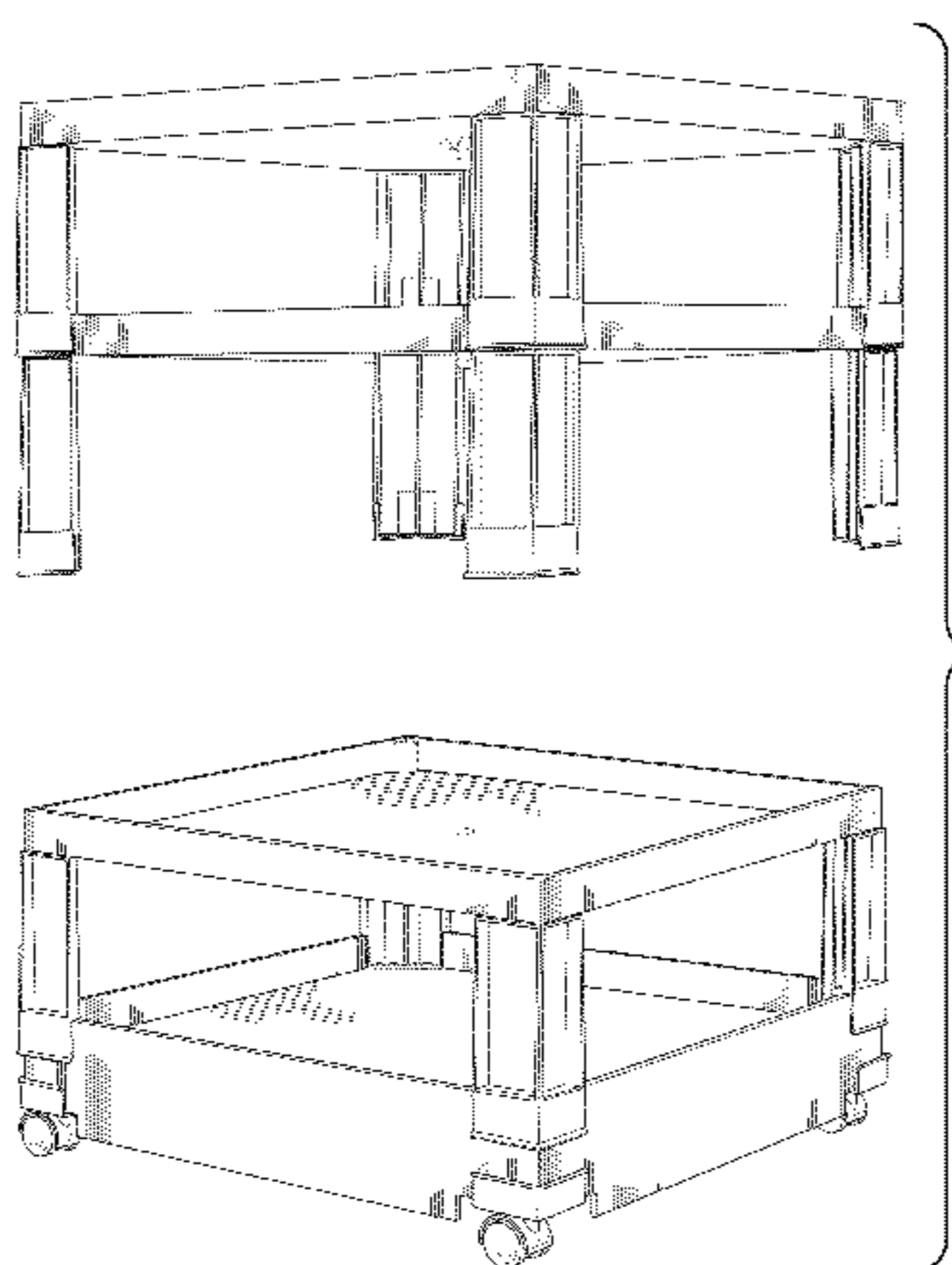


FIG. 8 shows a bottom plan view of the bottommost shelf of FIG. 7, with bottom support posts shown in FIGS. 17 through 24 attached;

FIG. 9 shows a rear perspective view of a corner post of the display fixture of FIG. 1;

FIG. 10 shows a front perspective view of the corner post of FIG. 9;

FIG. 11 shows a left side elevation view of the corner post of FIG. 9;

FIG. 12 shows a right side elevation view of the corner post of FIG. 9;

FIG. 13 shows a bottom plan view of the corner post of FIG. 9;

FIG. 14 shows a top plan view of the corner post of FIG. 9;

FIG. 15 shows a rear elevation view of the corner post of FIG. 9;

FIG. 16 shows a front elevation view of the corner post of FIG. 9;

FIG. 17 shows a rear perspective view of a bottom support post of the display fixture of FIG. 1 with caster wheel removed;

FIG. 18 shows a front perspective view of the bottom support post of FIG. 17;

FIG. 19 shows a left side elevation view of the bottom support post of FIG. 17;

FIG. 20 shows a right side elevation view of the bottom support post of FIG. 17;

FIG. 21 shows a top plan view of the bottom support post of FIG. 17;

FIG. 22 shows a bottom plan view of the bottom support post of FIG. 17;

FIG. 23 shows a rear elevation view of the bottom support post of FIG. 17; and,

FIG. 24 shows a front elevation view of the bottom support post of FIG. 17.

1 Claim, 16 Drawing Sheets

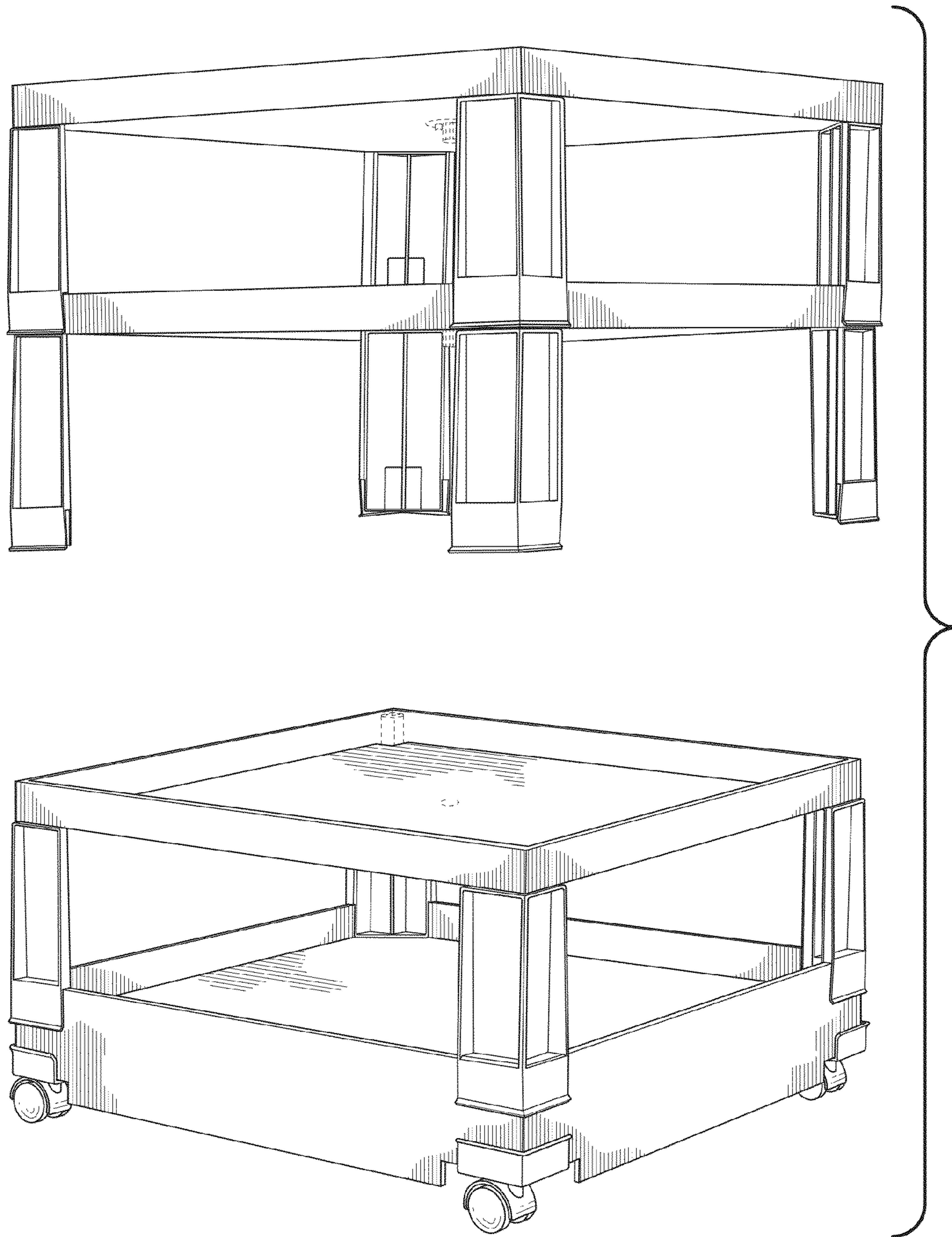


FIG. 1

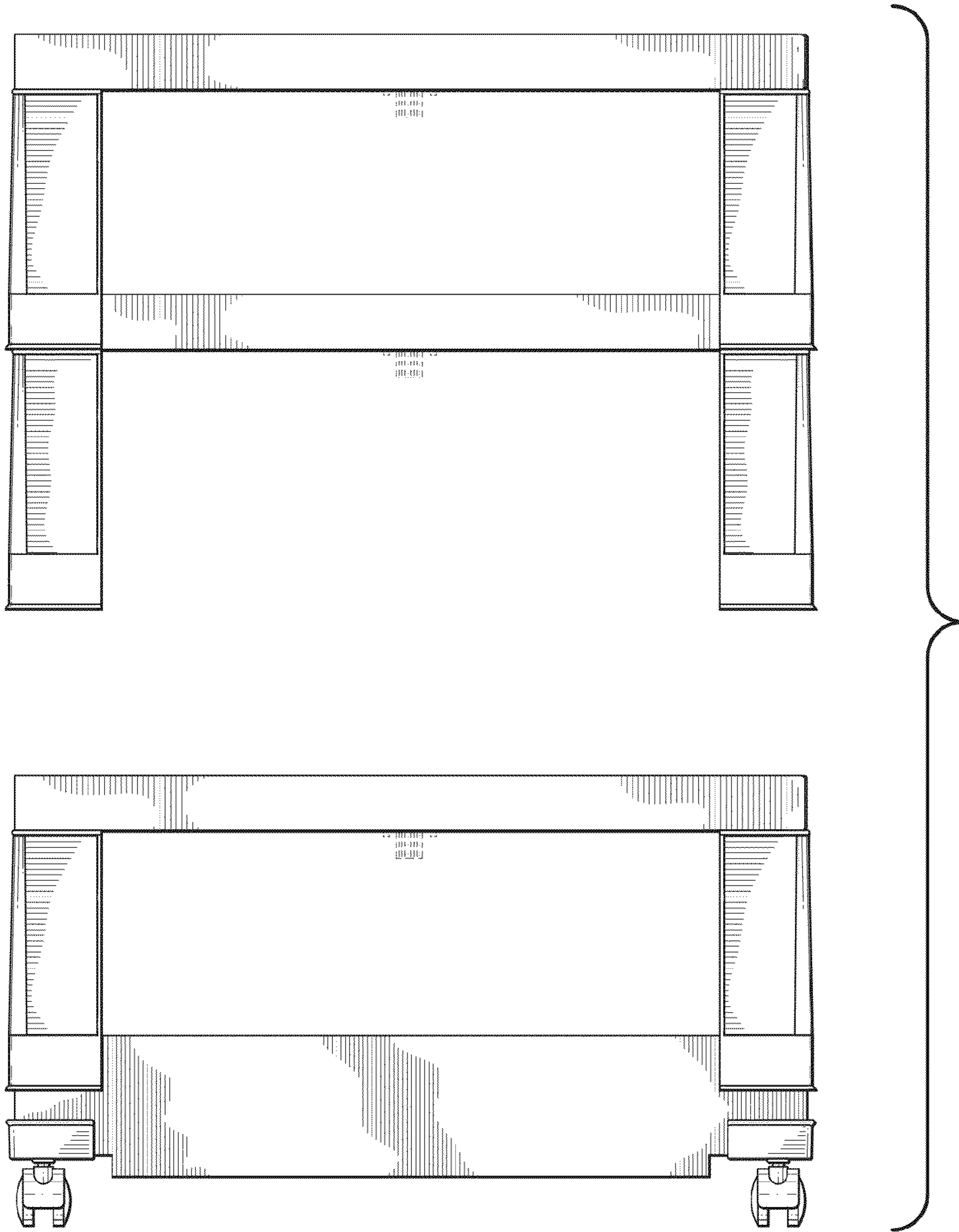


FIG. 2

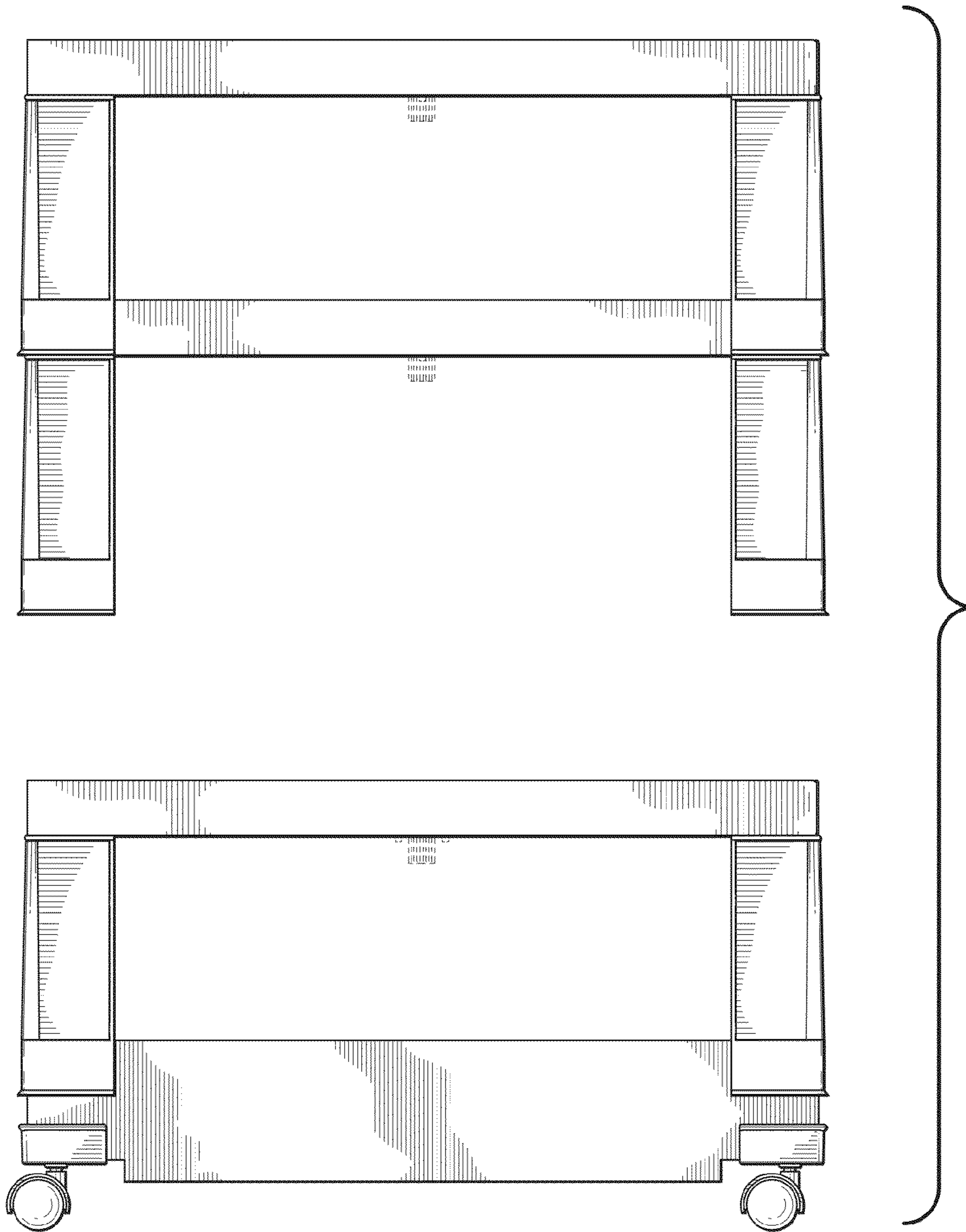


FIG. 3

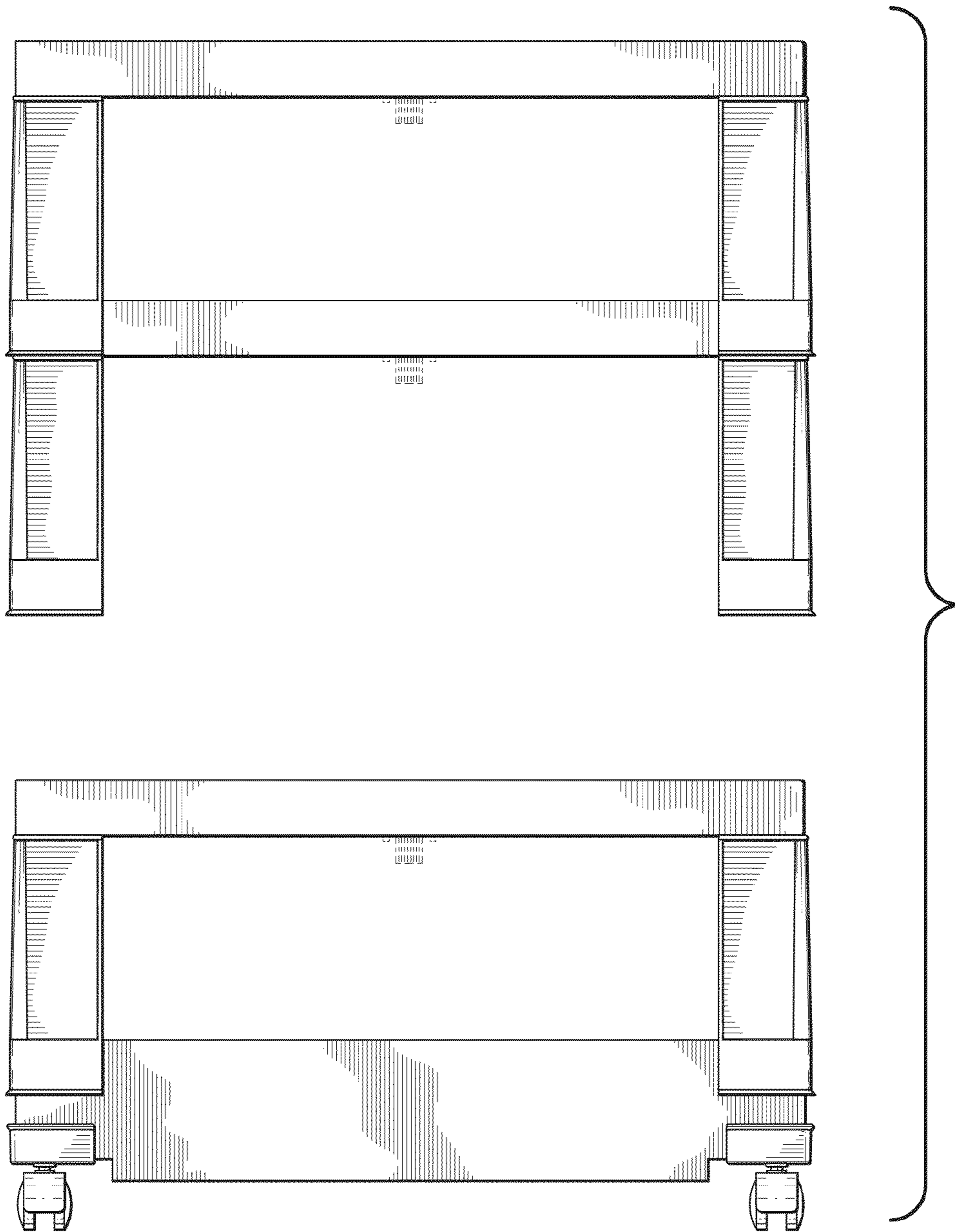


FIG. 4

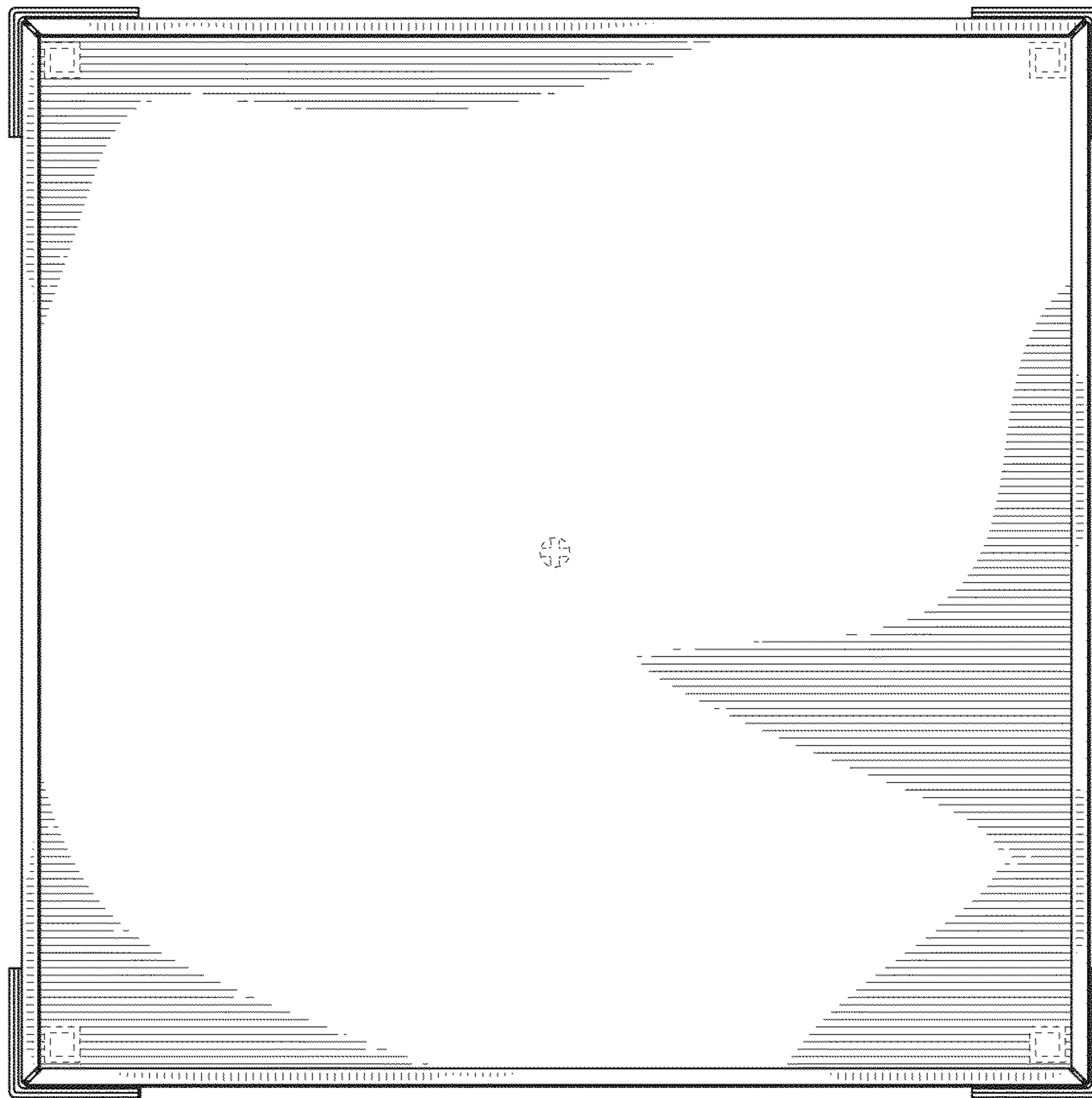


FIG. 5



FIG. 6



FIG. 7

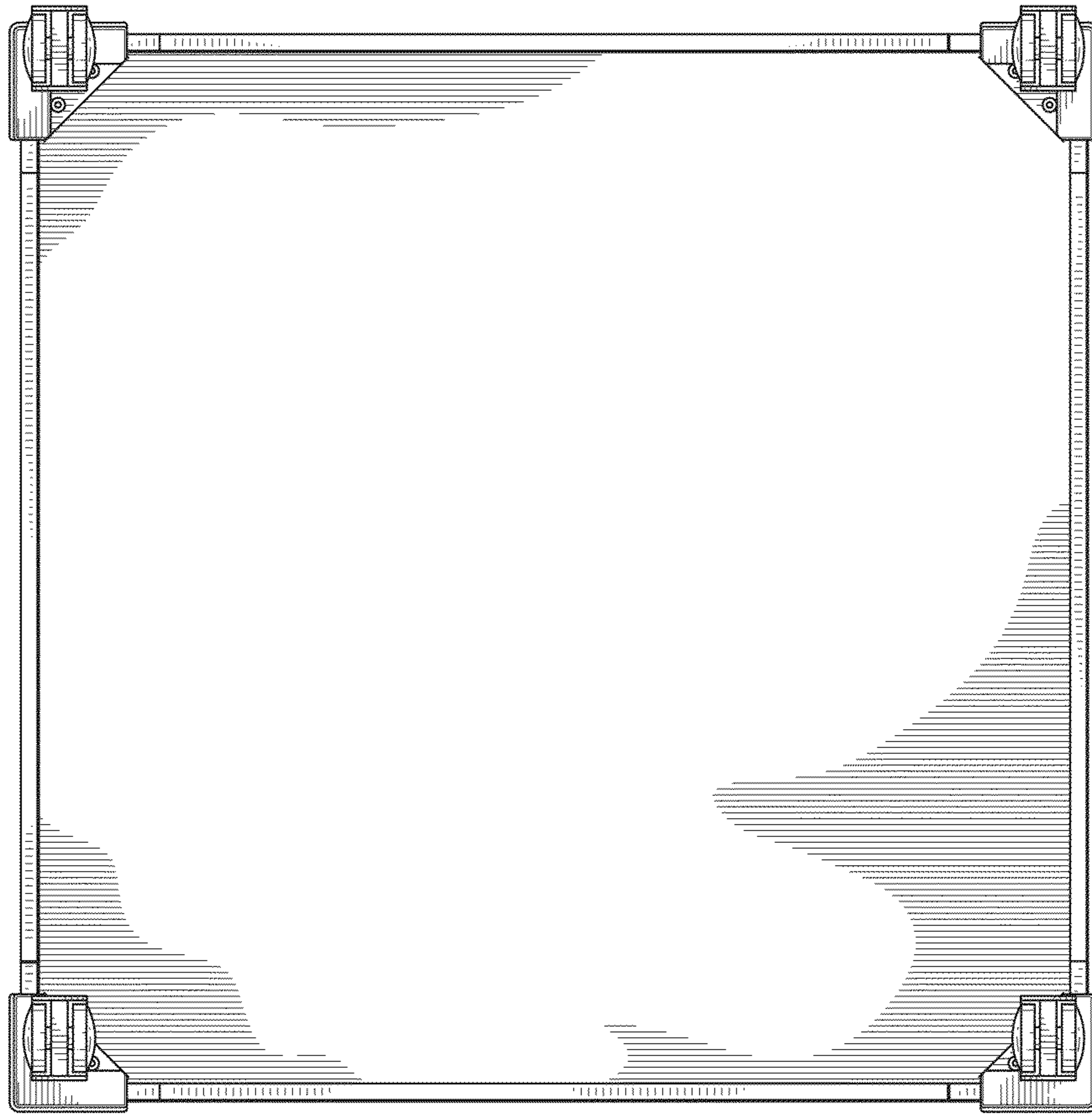


FIG. 8

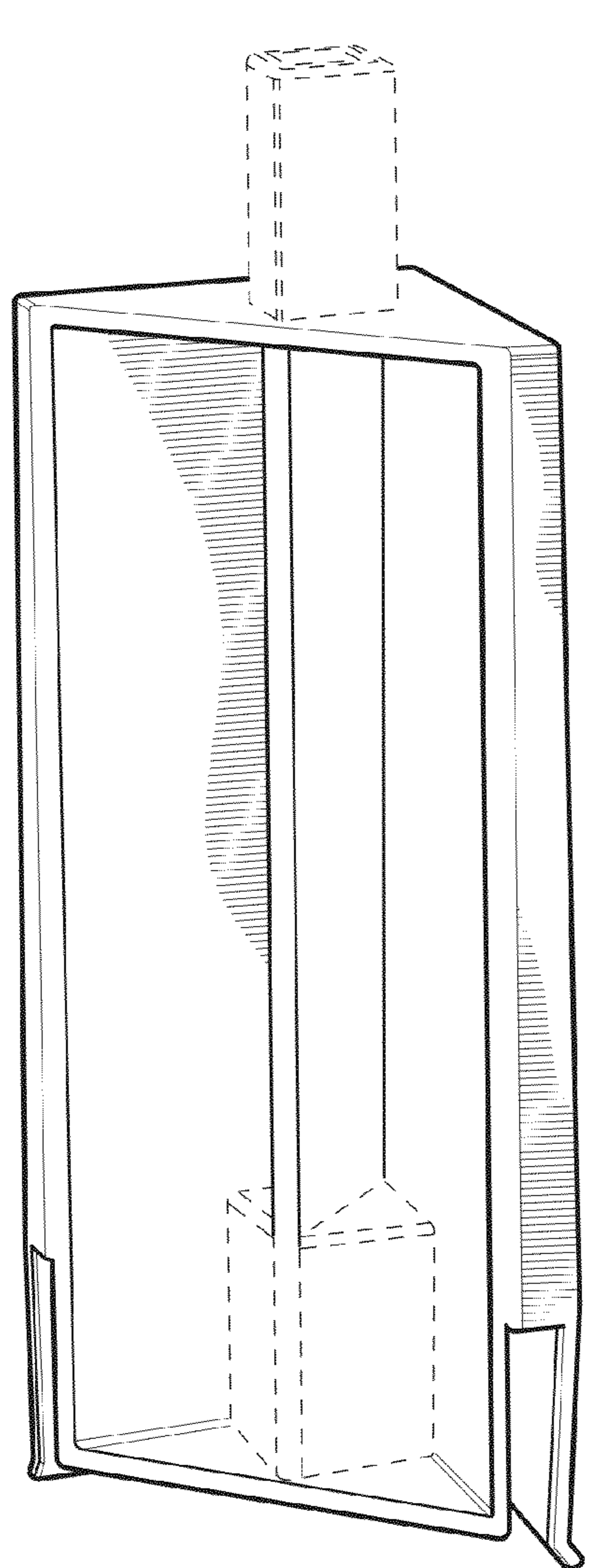


FIG. 9

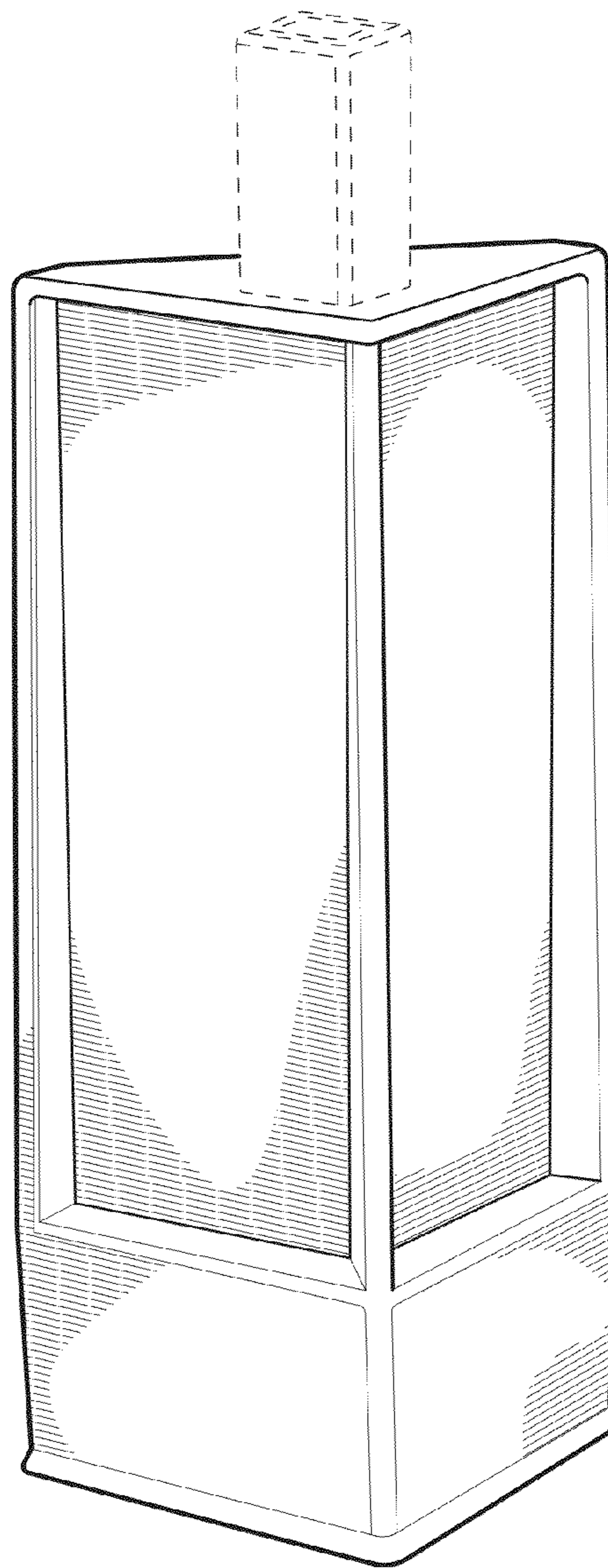


FIG. 10

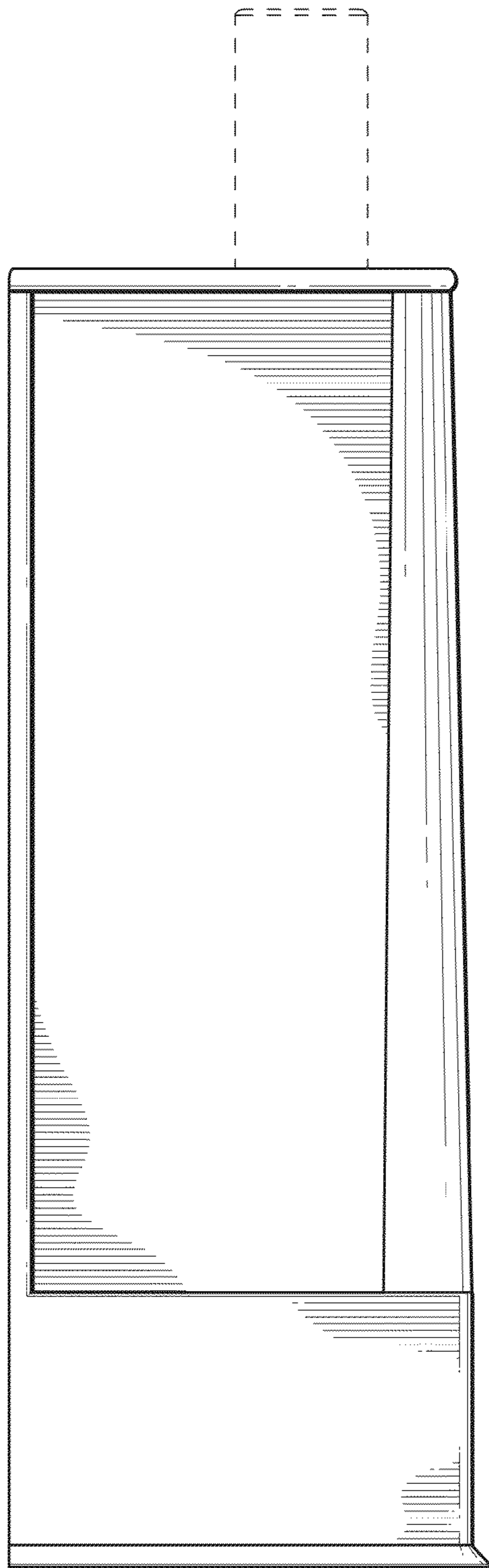


FIG. 11

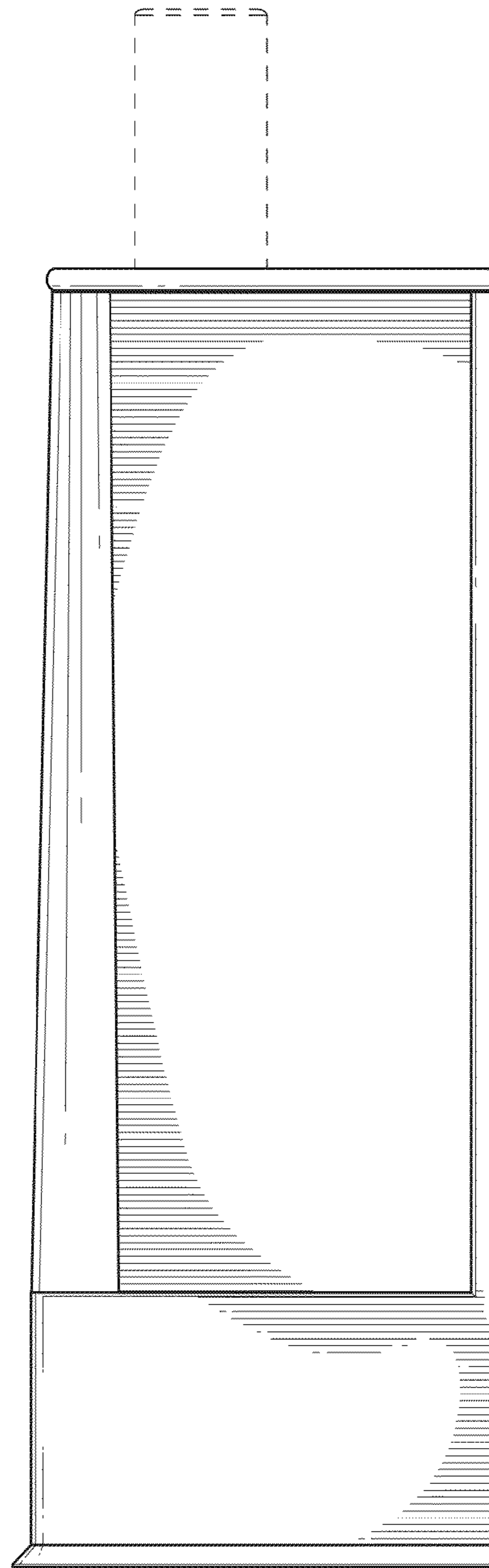


FIG. 12

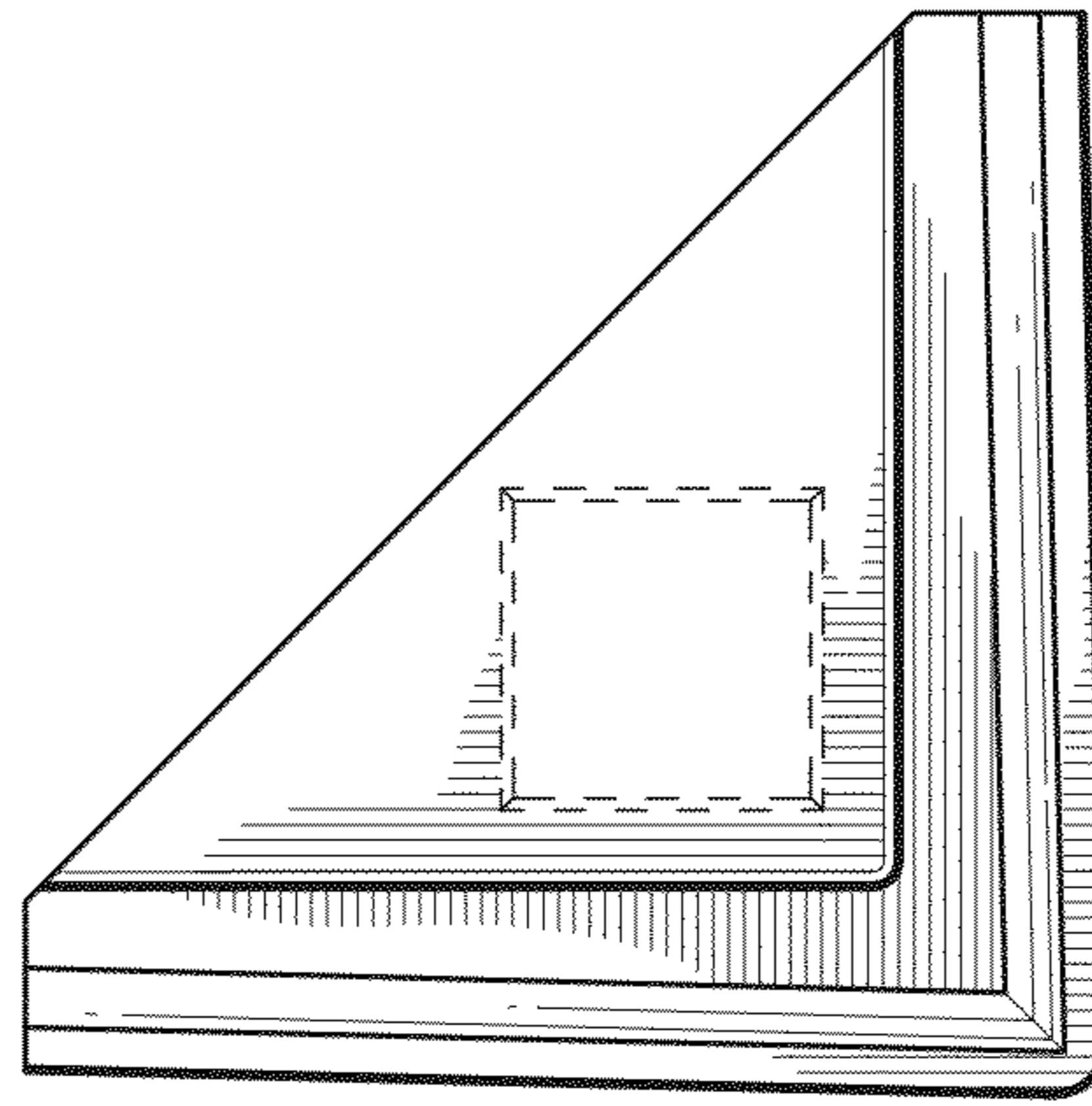


FIG. 13

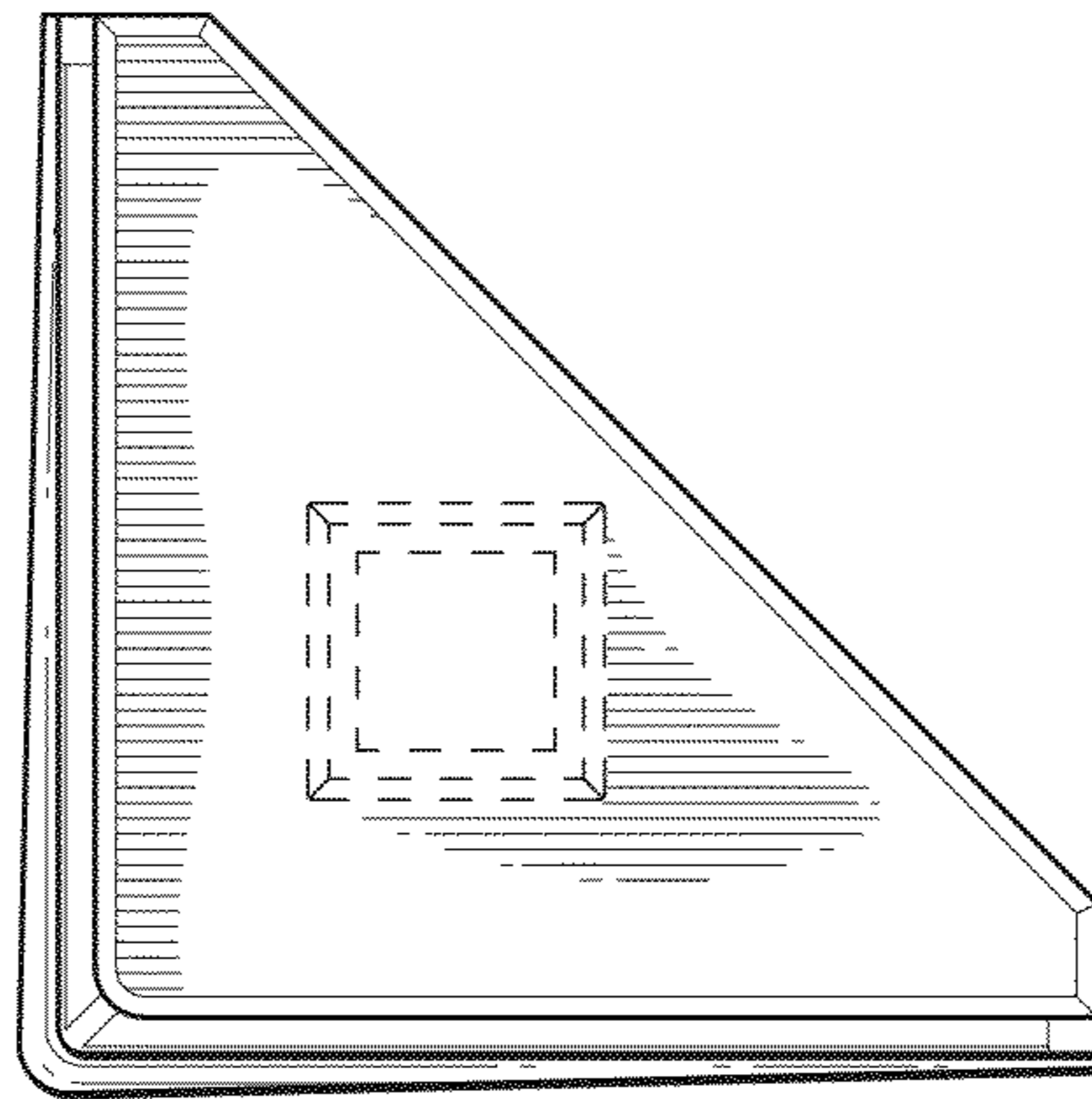


FIG. 14

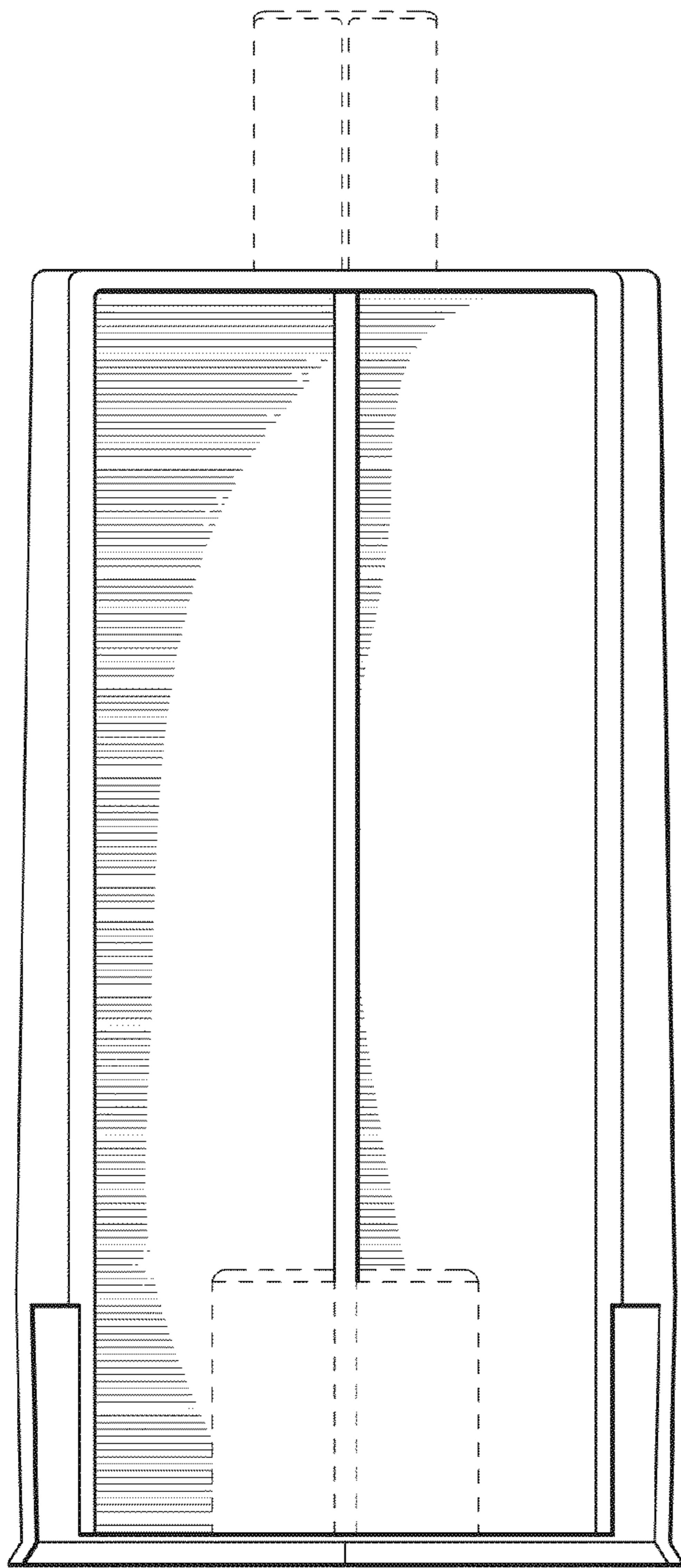


FIG. 15

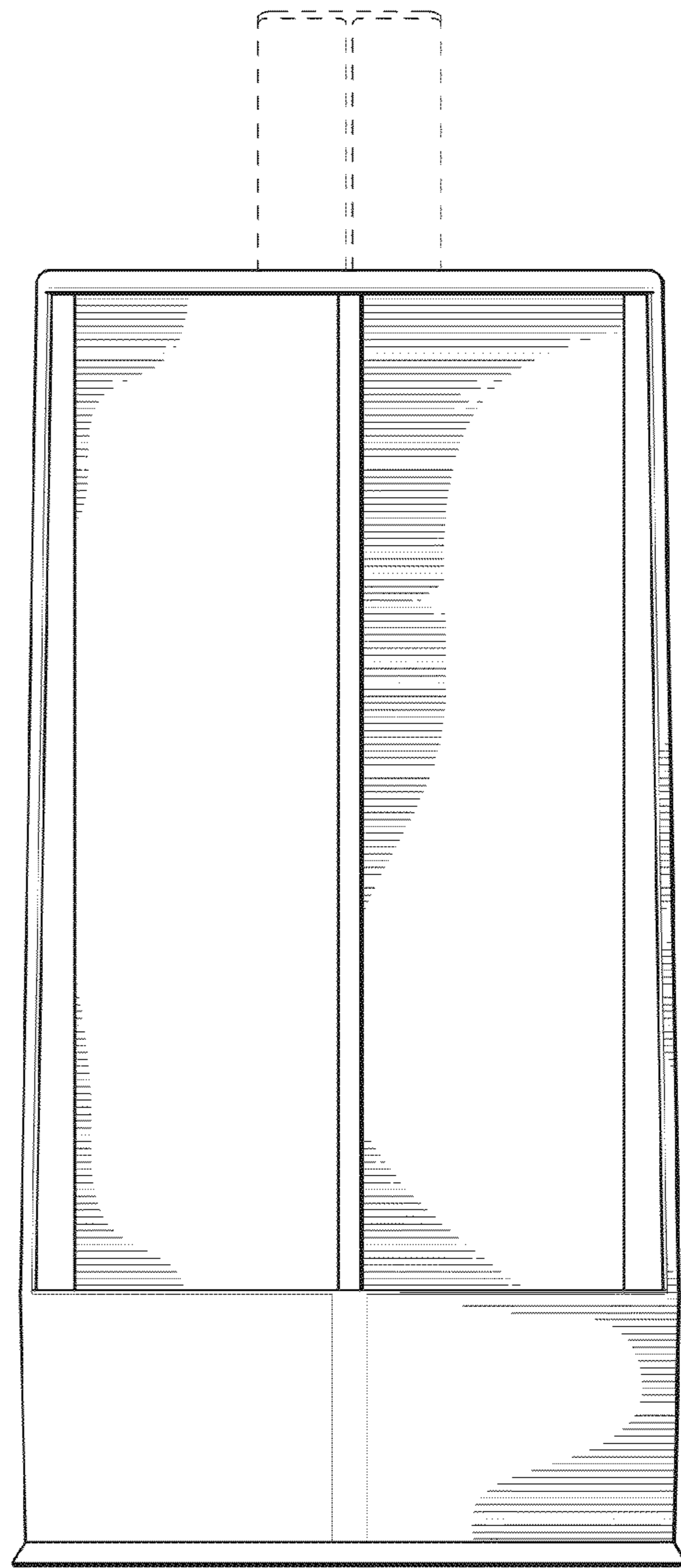


FIG. 16

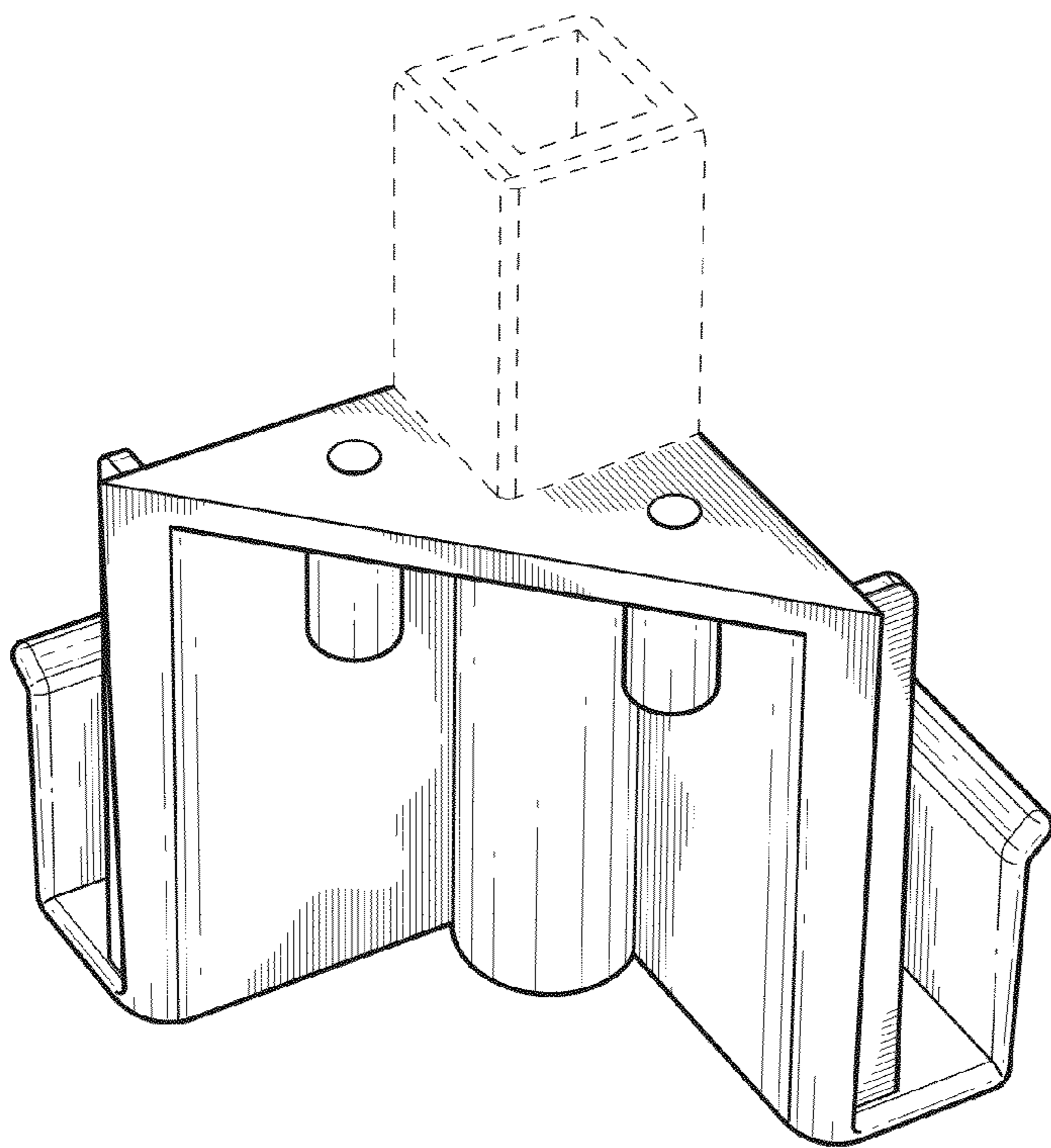


FIG. 17

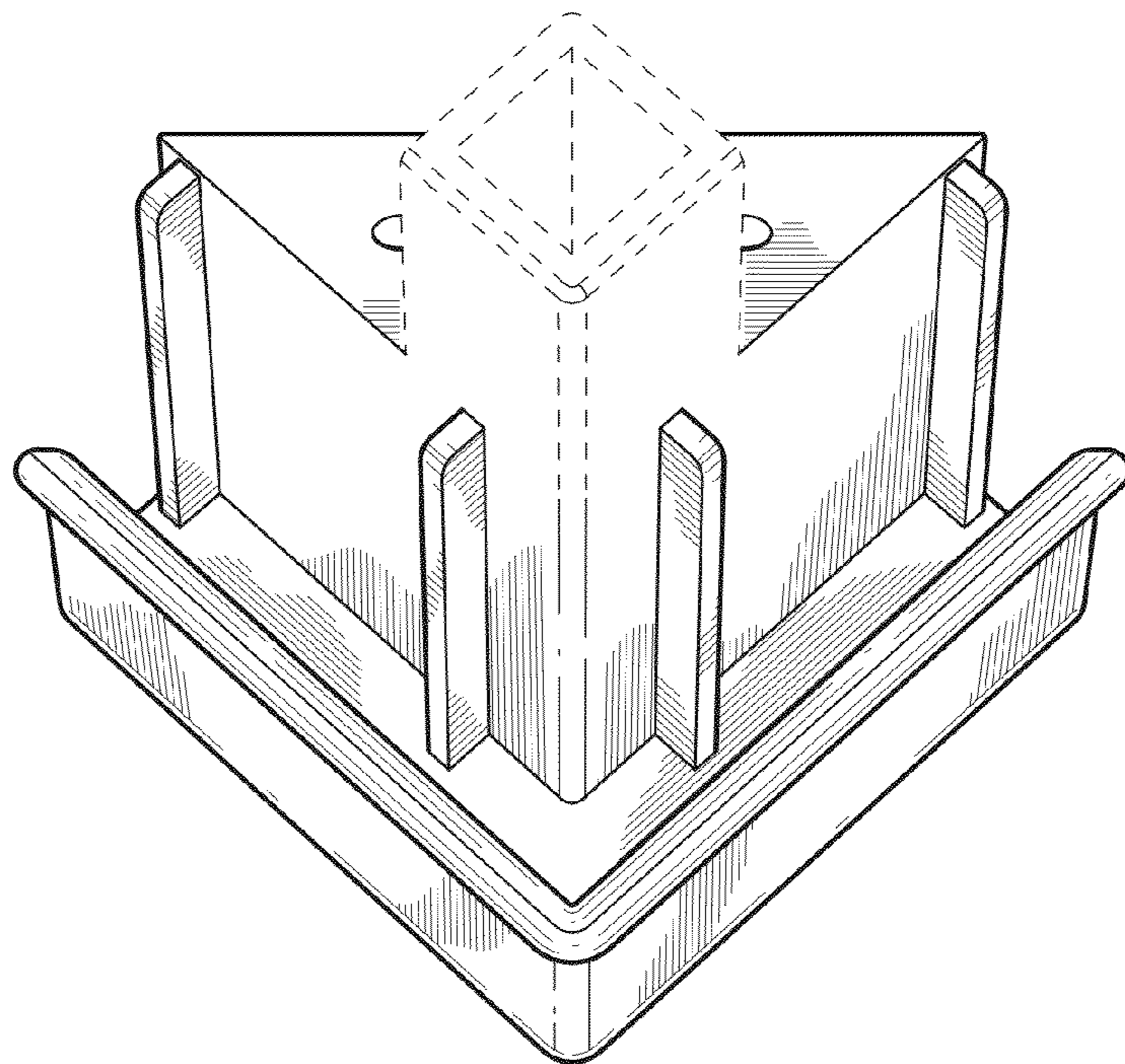


FIG. 18

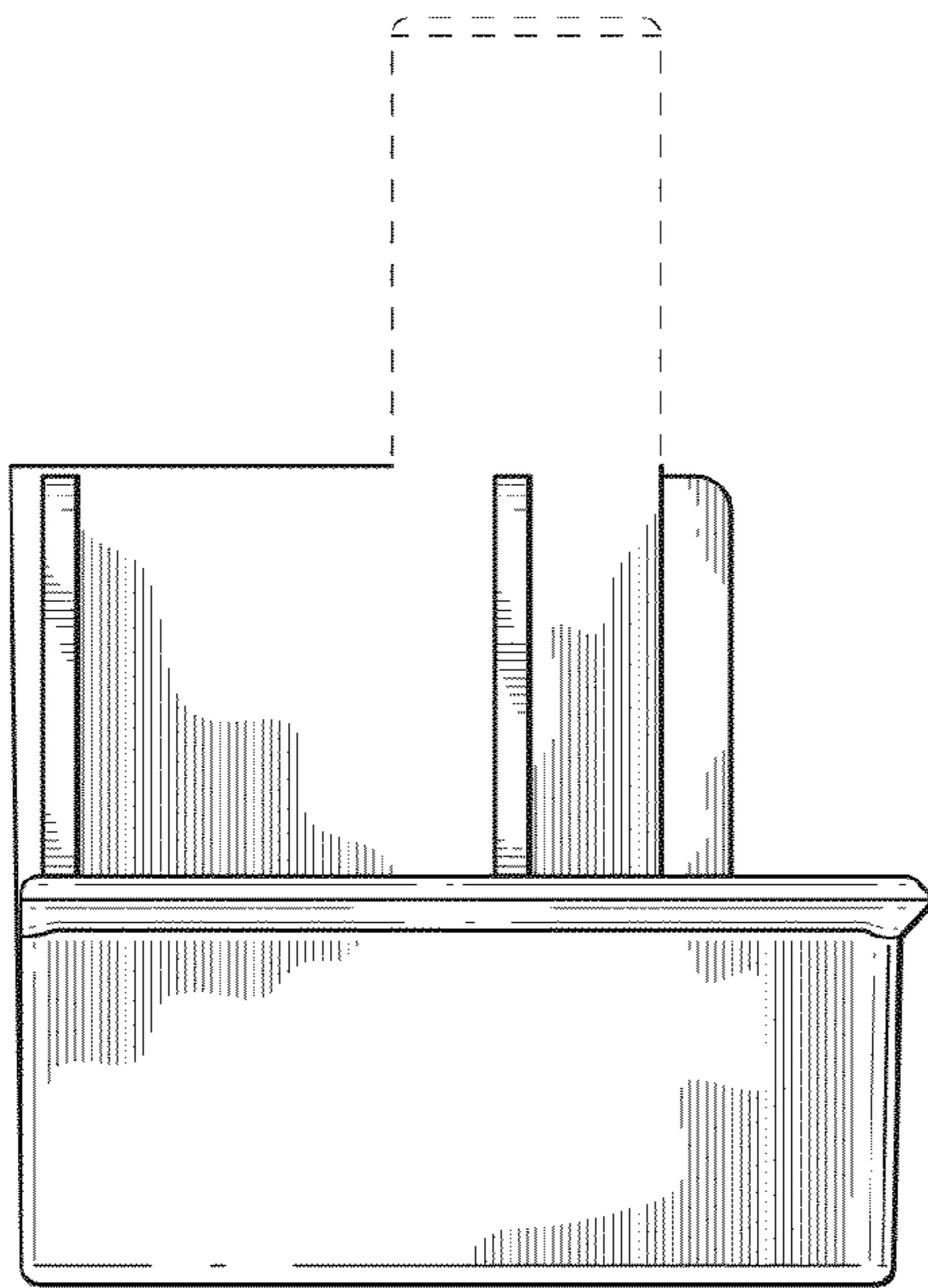


FIG. 19

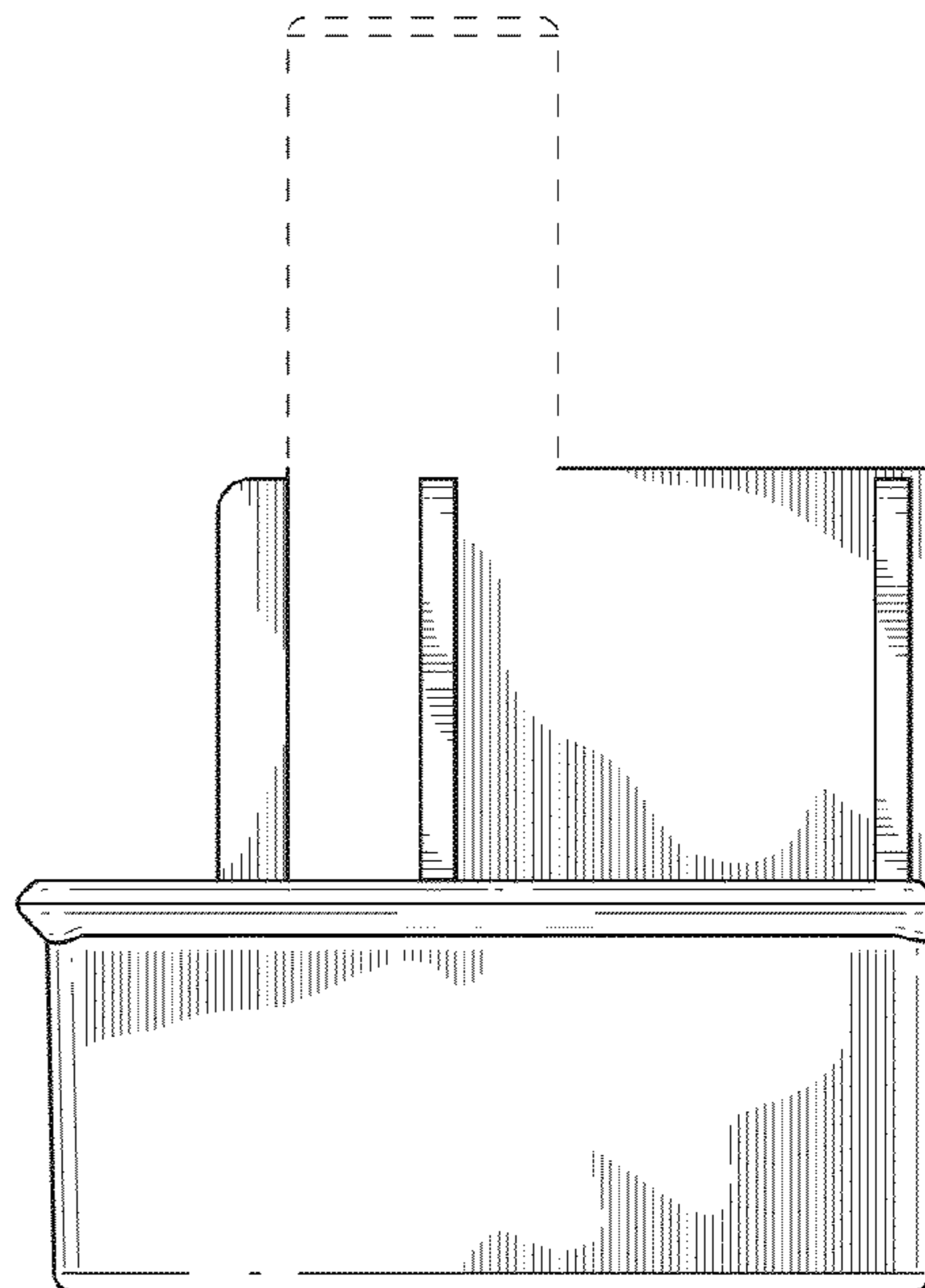


FIG. 20

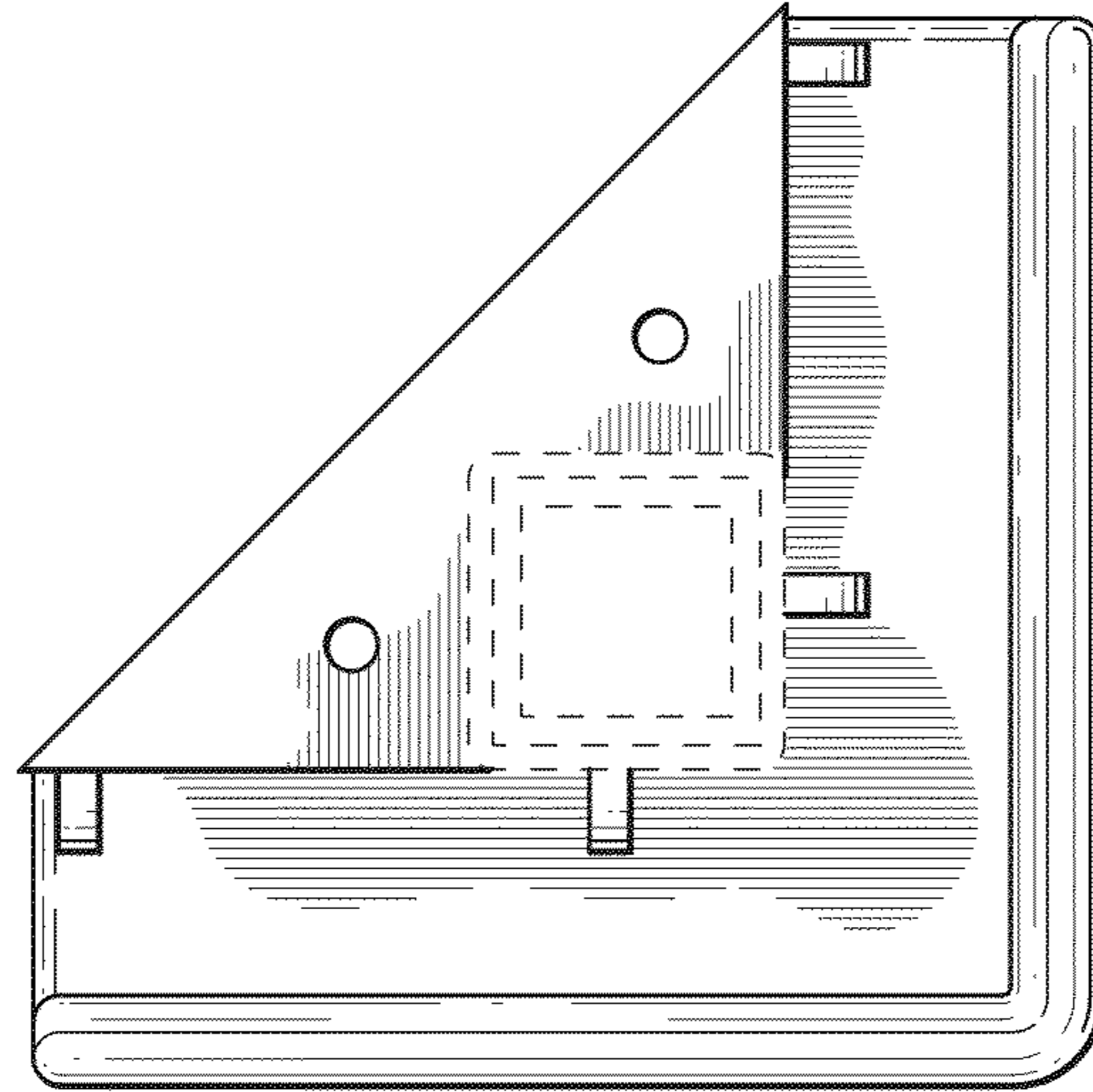


FIG. 21

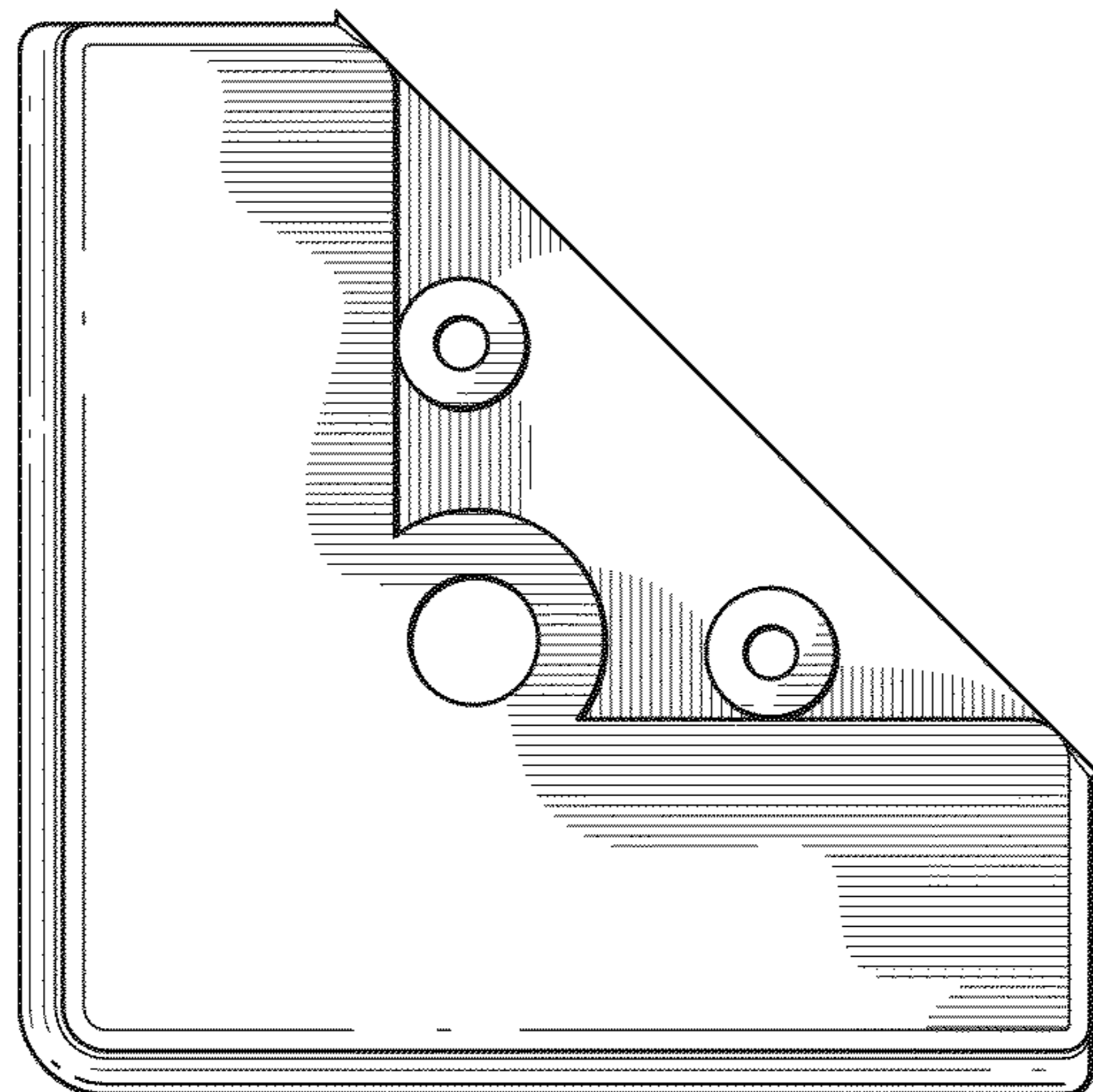


FIG. 22

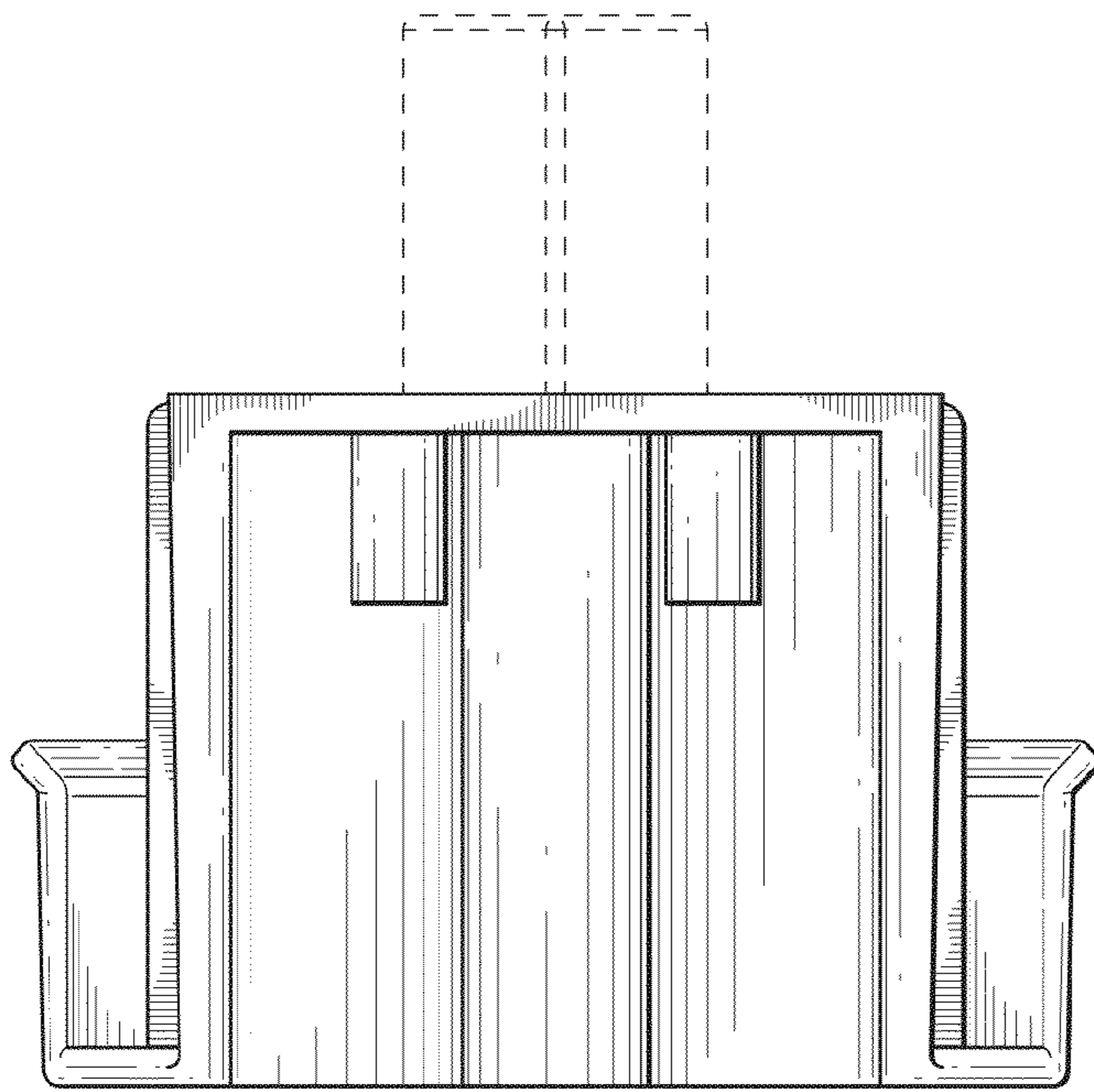


FIG. 23

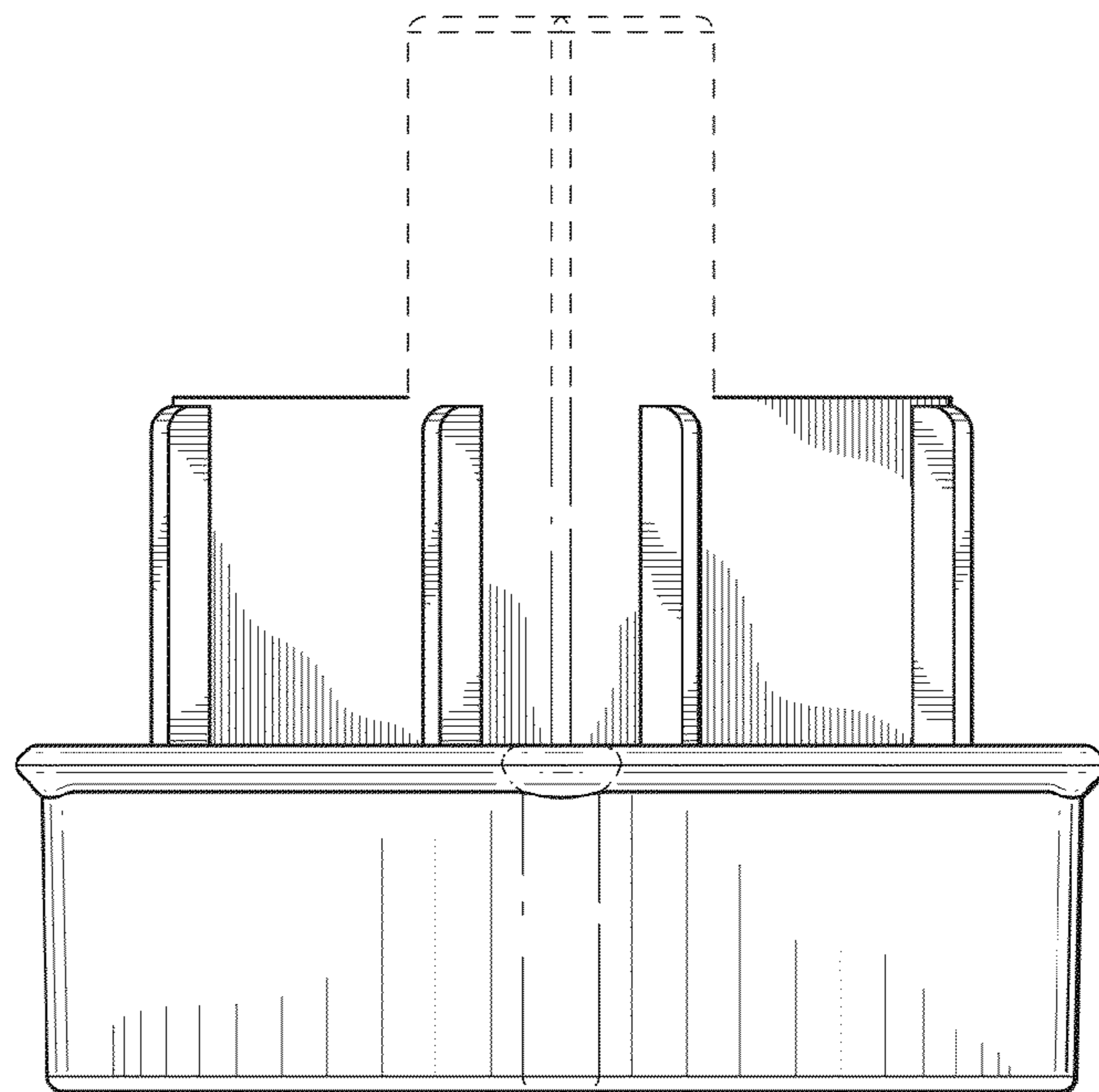


FIG. 24