



US00D716078S

(12) **United States Design Patent**
Theisen et al.

(10) **Patent No.:** **US D716,078 S**
(45) **Date of Patent:** **** Oct. 28, 2014**

(54) **DISPLAY SHELF**
(71) Applicant: **Target Brands, Inc.**, Minneapolis, MN (US)
(72) Inventors: **Jennifer A. Theisen**, Crystal, MN (US);
Erin L. Zobel, Minneapolis, MN (US)
(73) Assignee: **Target Brands, Inc.**, Minneapolis, MN (US)
(**) Term: **14 Years**
(21) Appl. No.: **29/479,755**

D503,042	S	*	3/2005	Gutierrez et al.	D3/302
D535,102	S	*	1/2007	Matsuda	D3/302
7,222,745	B2	*	5/2007	Gutierrez et al.	220/675
D544,741	S	*	6/2007	Smith	D6/553
D583,226	S	*	12/2008	Vanhoutte	D9/420
D584,053	S	*	1/2009	Abdo et al.	D3/302
D588,907	S	*	3/2009	Cesario, Jr.	D9/418
D590,248	S	*	4/2009	Mu et al.	D9/418
D607,700	S	*	1/2010	Foote	D7/705
D616,741	S	*	6/2010	Andre et al.	D9/432
D617,636	S	*	6/2010	Vanhoutte	D9/431
D621,256	S	*	8/2010	Andre et al.	D9/432
D648,531	S	*	11/2011	Finnigan et al.	D3/281
D675,020	S	*	1/2013	Mu et al.	D3/302
D694,556	S	*	12/2013	Samsonoff	D6/659
2002/0092787	A1	*	7/2002	Cheng	206/459.5

* cited by examiner

(22) Filed: **Jan. 20, 2014**
(51) **LOC (10) Cl.** **06-06**
(52) **U.S. Cl.**
USPC **D6/675**
(58) **Field of Classification Search**
USPC D6/659-661, 663, 671, 671.1, 671.2,
D6/671.3, 675, 705, 705.5; 312/107, 109,
312/114, 117, 204, 311, 330.1, 332.1;
D3/297

Primary Examiner — Kelley Donnelly

(74) *Attorney, Agent, or Firm* — Leanne Taveggia Farrell;
Westman, Champlin & Koehler, P.A.

See application file for complete search history.

(57) **CLAIM**

The ornamental design for a display shelf, as shown and described.

DESCRIPTION

(56) **References Cited**

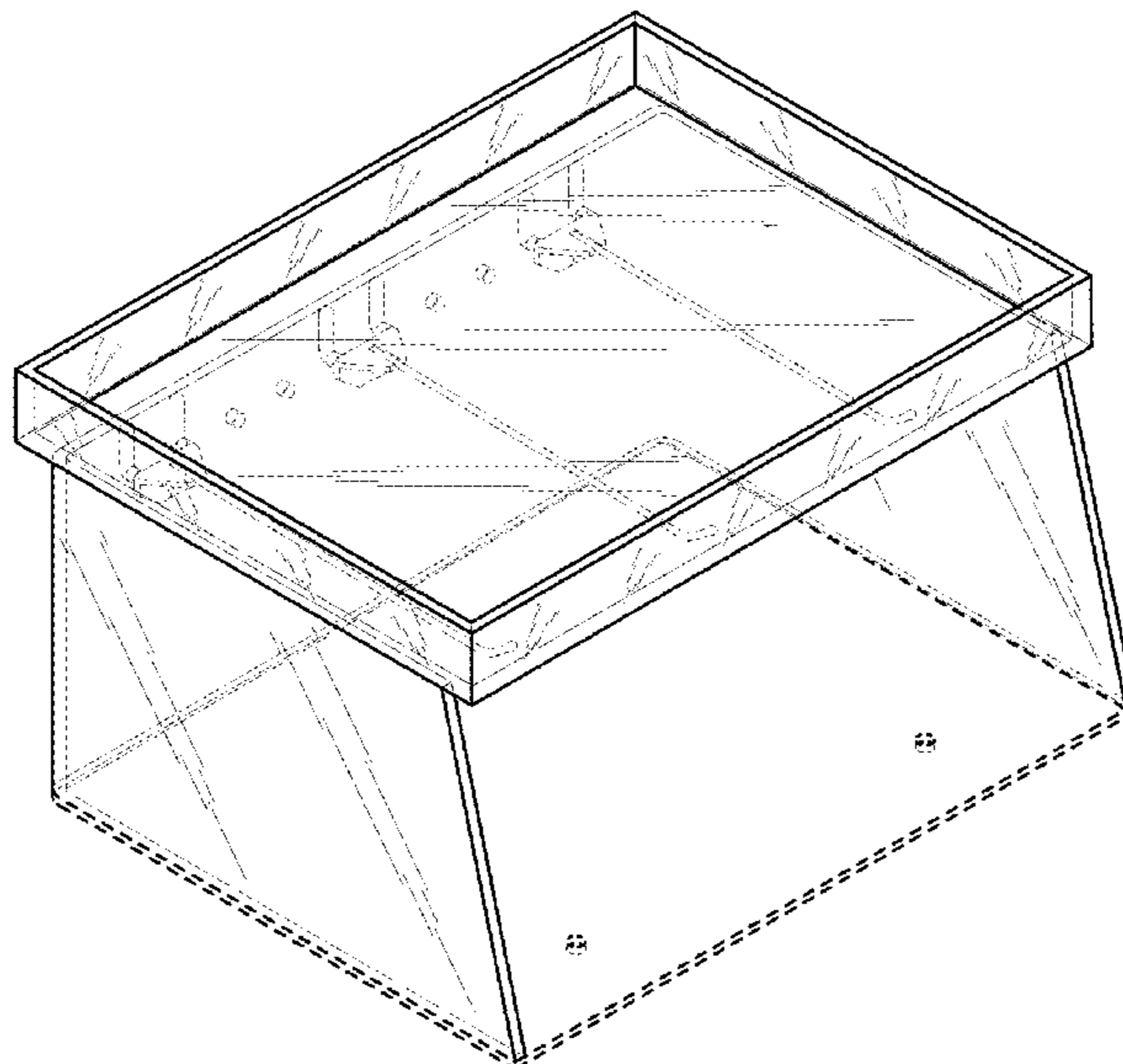
U.S. PATENT DOCUMENTS

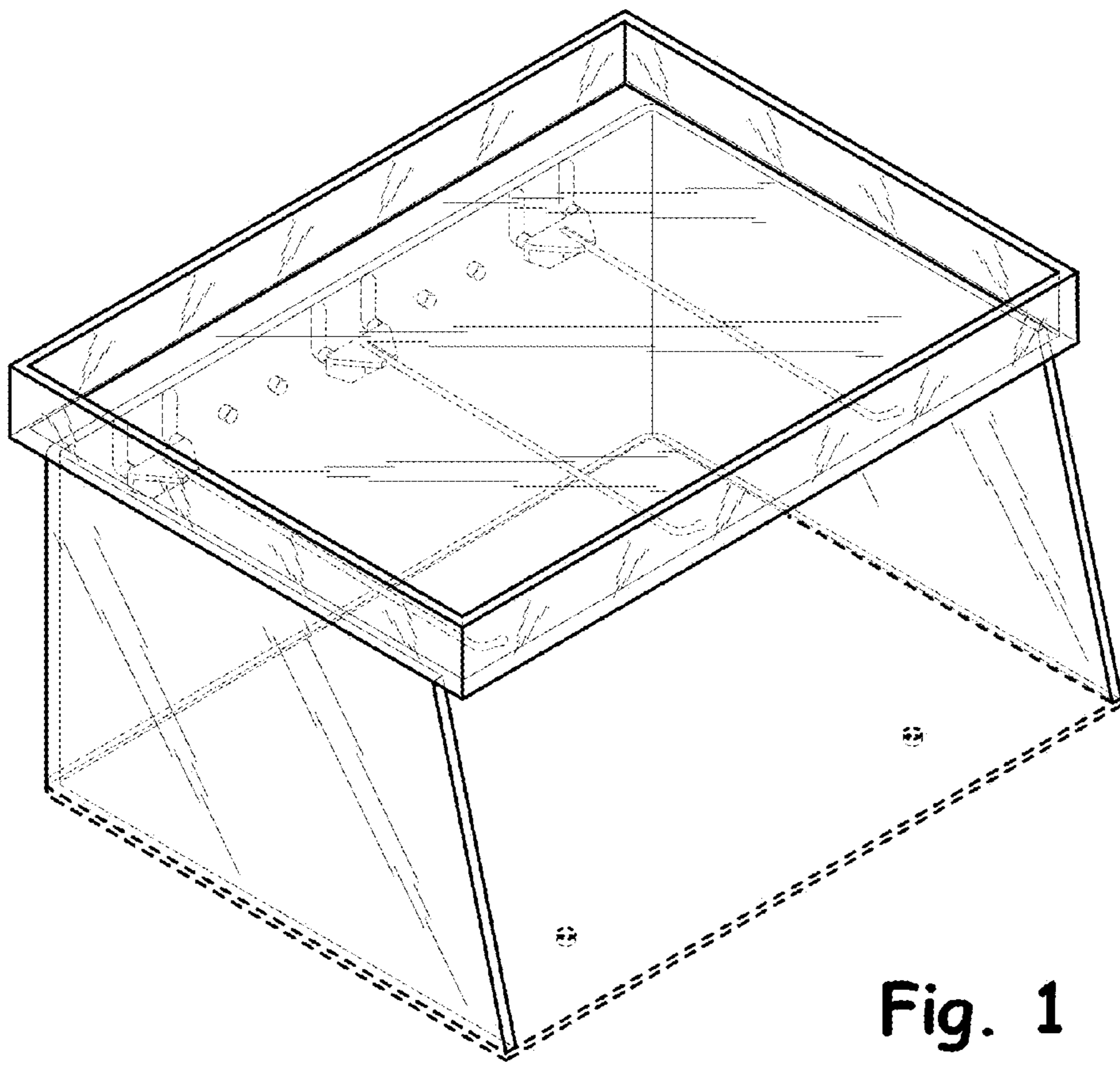
4,676,371	A	*	6/1987	Byrne	312/49
5,012,928	A	*	5/1991	Proffitt et al.	206/508
D397,552	S	*	9/1998	Rutledge	D3/302
D398,715	S	*	9/1998	Descalzo	D27/189
D406,463	S	*	3/1999	Rutledge	D3/302
D452,153	S	*	12/2001	Dardashti	D6/629
D455,073	S	*	4/2002	Mizrahi	D9/418
D461,120	S	*	8/2002	Ostro	D9/759
D461,124	S	*	8/2002	Ma	D9/432
D482,870	S	*	12/2003	Veazey	D3/294

FIGS. 1 and 2 are perspective views of a display shelf showing our new design;
FIG. 3 is a left side view thereof, the opposing right side view being a mirror image;
FIG. 4 is a front view thereof;
FIG. 5 is a back view thereof; and,
FIG. 6 is a top view thereof.

The broken lines shown in the drawings are included for purposes of illustrating environment or portions of the display shelf and form no part of the claimed design.

1 Claim, 5 Drawing Sheets





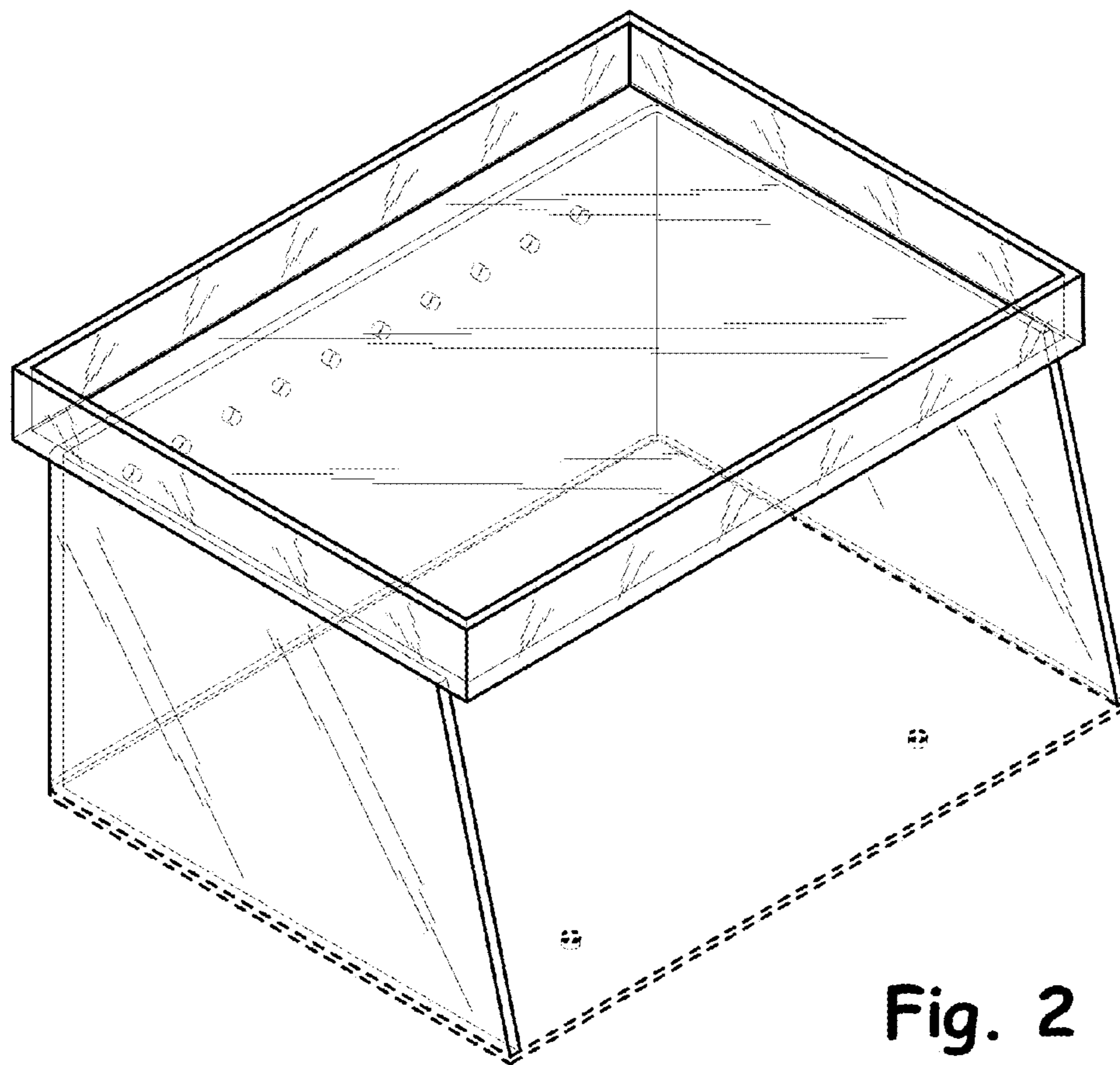


Fig. 2

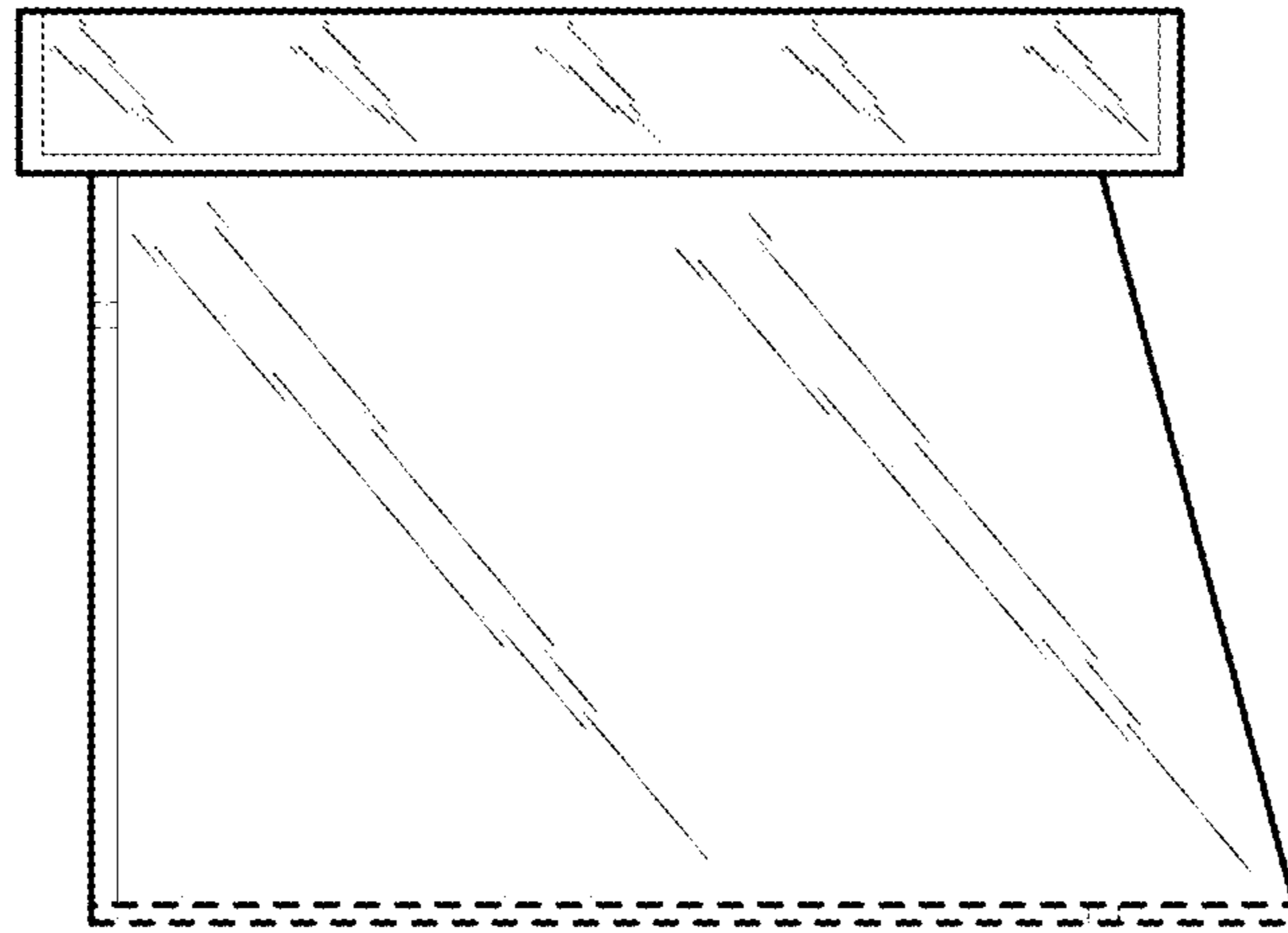


Fig. 3

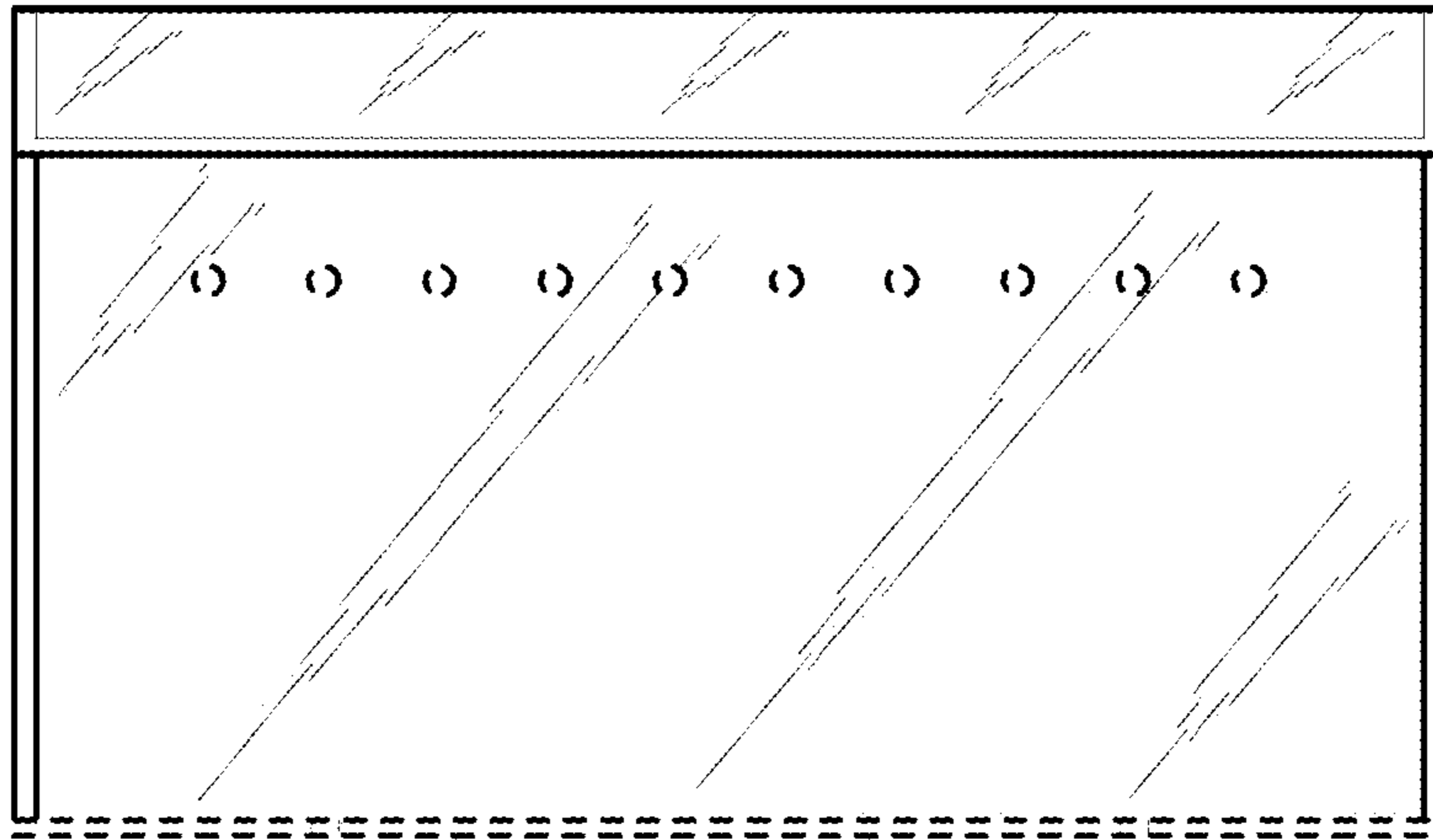


Fig. 4

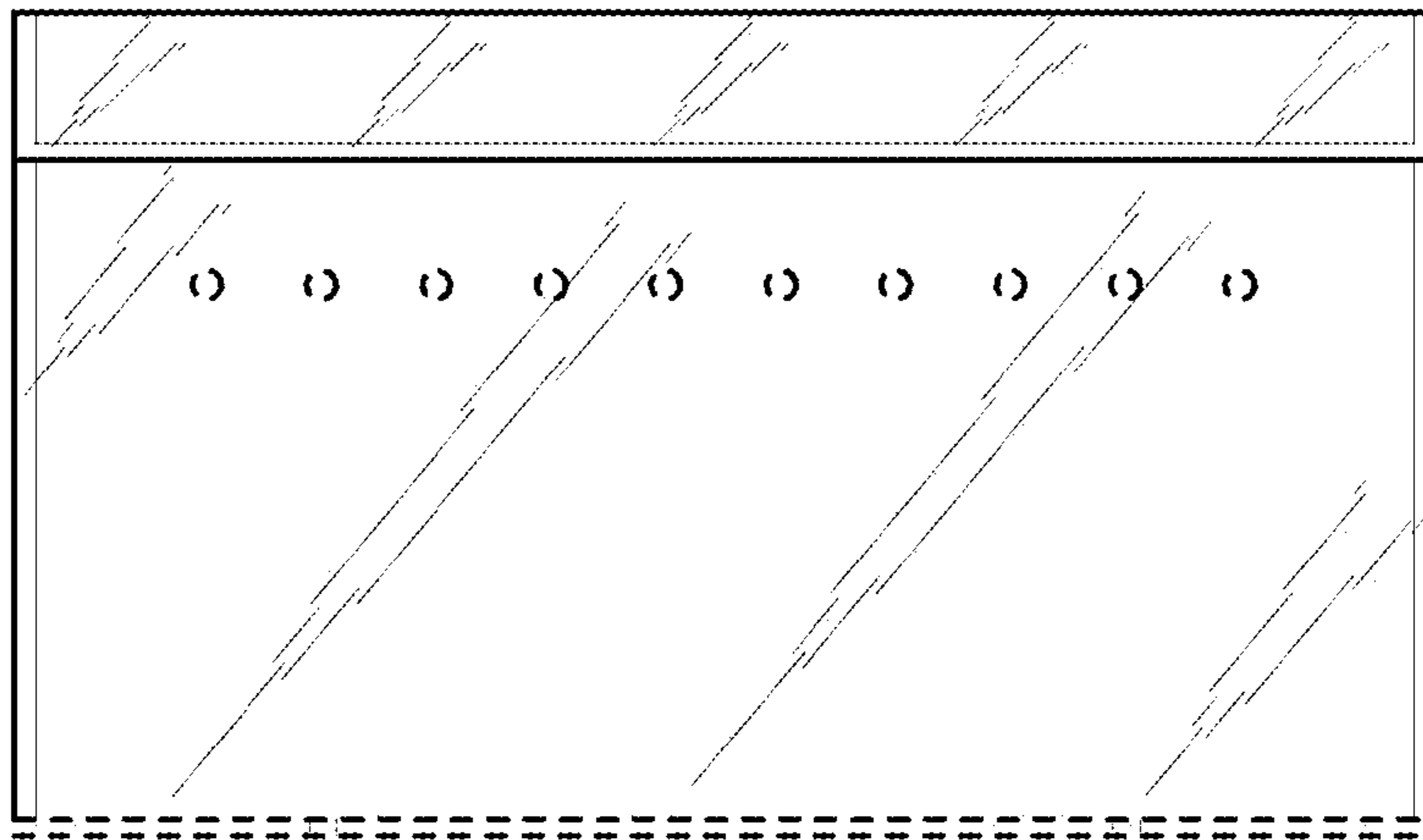


Fig. 5

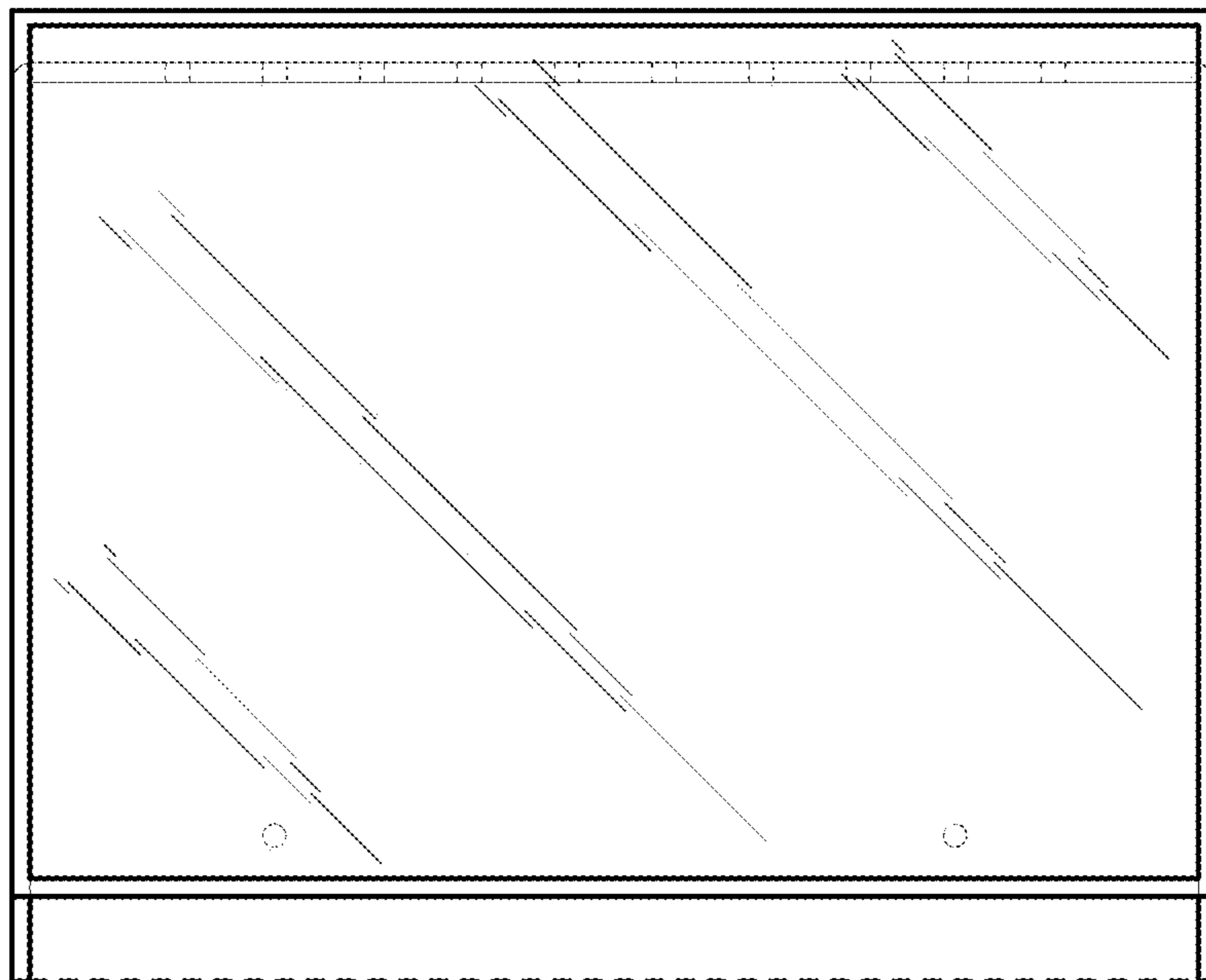


Fig. 6