



US00D716077S

(12) **United States Design Patent**  
**Hsu**

(10) **Patent No.:** **US D716,077 S**  
(45) **Date of Patent:** **\*\* Oct. 28, 2014**

- (54) **SHELF ORGANIZER**
- (71) Applicant: **Seville Classics, Inc.**, Torrance, CA (US)
- (72) Inventor: **Li-Han Hsu**, Torrance, CA (US)
- (73) Assignee: **Seville Classics Inc.**, Torrance, CA (US)
- (\*\*) Term: **14 Years**
- (21) Appl. No.: **29/470,476**
- (22) Filed: **Oct. 22, 2013**
- (51) **LOC (10) Cl.** ..... **06-06**
- (52) **U.S. Cl.**  
USPC ..... **D6/675**
- (58) **Field of Classification Search**  
USPC ..... D6/409–415, 449, 455–458, 461–468,  
D6/474, 476–479, 675, 675.1; 211/31.1,  
211/85.26, 85.31, 85.4, 33, 134, 186–191,  
211/194, 181.1  
See application file for complete search history.

(56) **References Cited**

**U.S. PATENT DOCUMENTS**

- 5,881,653 A \* 3/1999 Pfister ..... 108/147.13
- 5,909,863 A \* 6/1999 Mansfield et al. .... 248/235
- 6,015,053 A \* 1/2000 Sheng ..... 211/188

- D538,058 S \* 3/2007 Van Es ..... D6/405
- D551,876 S \* 10/2007 Gusdorf et al. .... D6/406.6
- D597,342 S \* 8/2009 Dickson ..... D6/465
- D597,354 S \* 8/2009 Liss ..... D6/511
- D679,924 S \* 4/2013 Klein et al. .... D6/566
- D693,610 S \* 11/2013 Denby et al. .... D6/690
- D696,878 S \* 1/2014 Murphy ..... D6/675.1
- D699,485 S \* 2/2014 Hsu et al. .... D6/675.1
- D703,467 S \* 4/2014 Ho et al. .... D6/675.1
- D704,482 S \* 5/2014 Hsu et al. .... D6/675.1
- 2013/0098857 A1\* 4/2013 Jarvis et al. .... 211/182
- 2013/0306585 A1\* 11/2013 Lim ..... 211/186

\* cited by examiner

*Primary Examiner* — Kelley Donnelly

(74) *Attorney, Agent, or Firm* — Raymond Sun

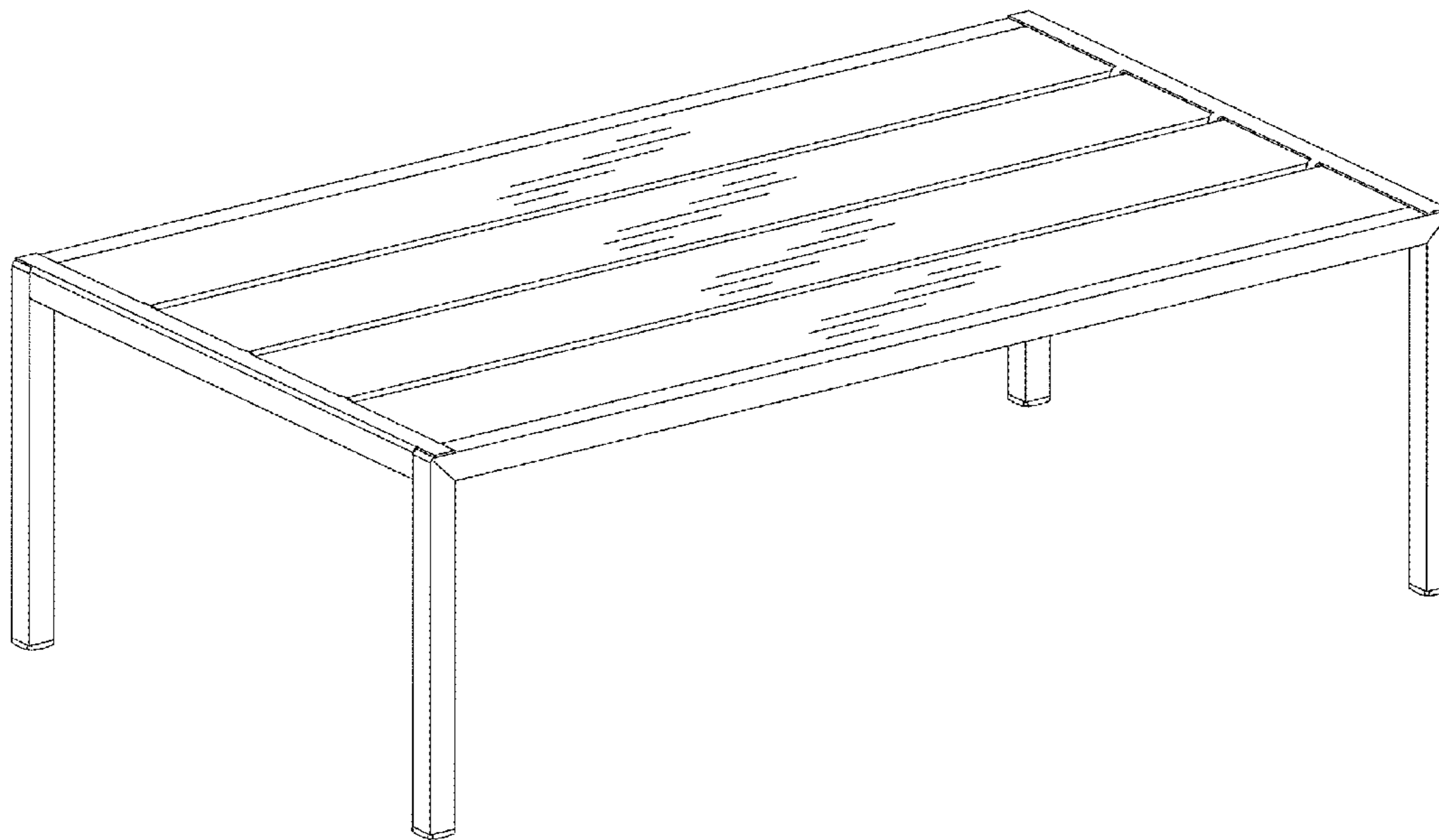
(57) **CLAIM**

The ornamental design for a shelf organizer, as shown and described.

**DESCRIPTION**

FIG. 1 is a perspective view of a shelf organizer showing the new design;  
 FIG. 2 is a front plan view thereof;  
 FIG. 3 is a right plan view thereof;  
 FIG. 4 is a left plan view thereof;  
 FIG. 5 is a top plan view thereof;  
 FIG. 6 is a bottom plan view thereof; and,  
 FIG. 7 is a rear plan view.

**1 Claim, 7 Drawing Sheets**



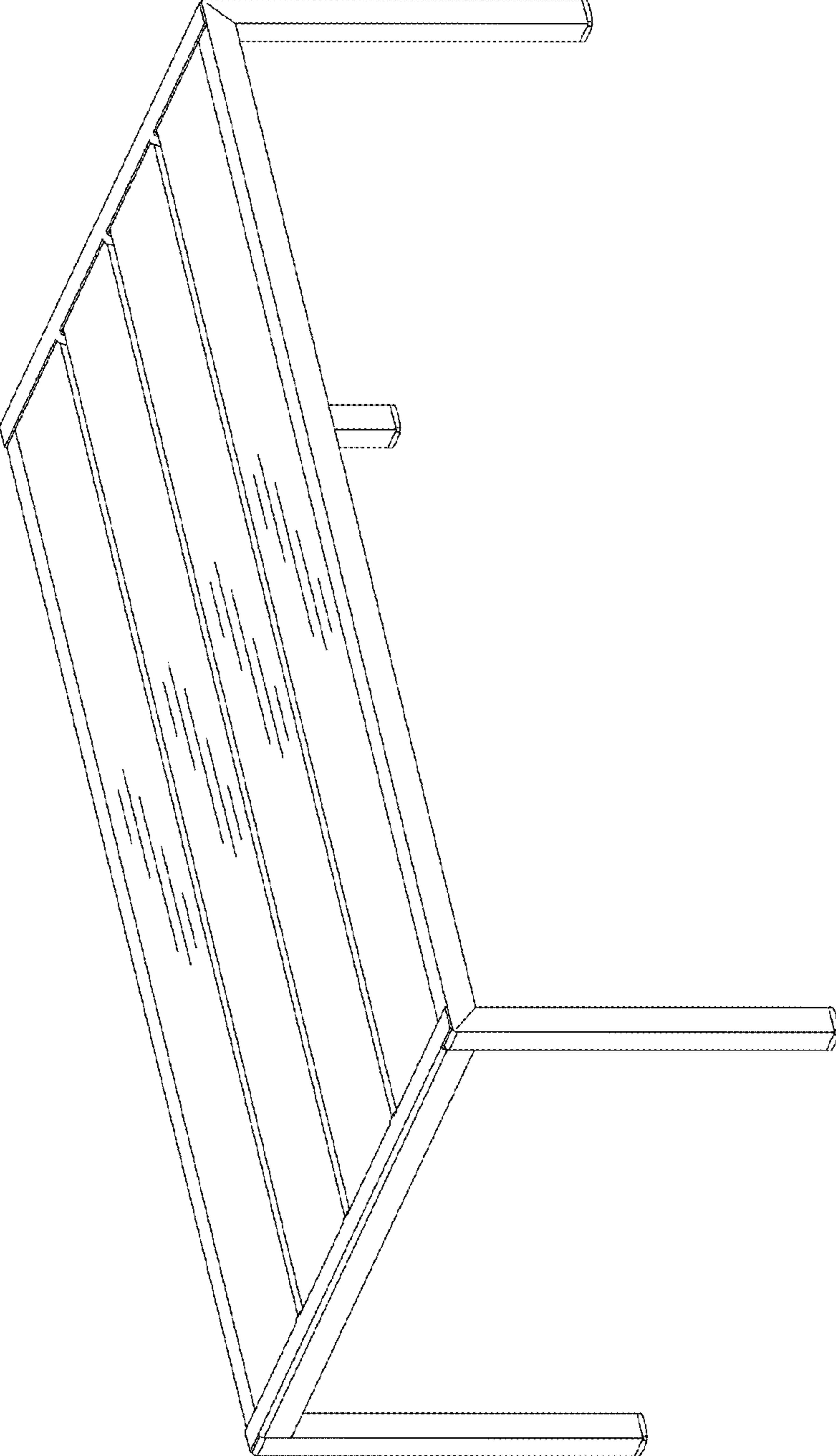


FIG. 1

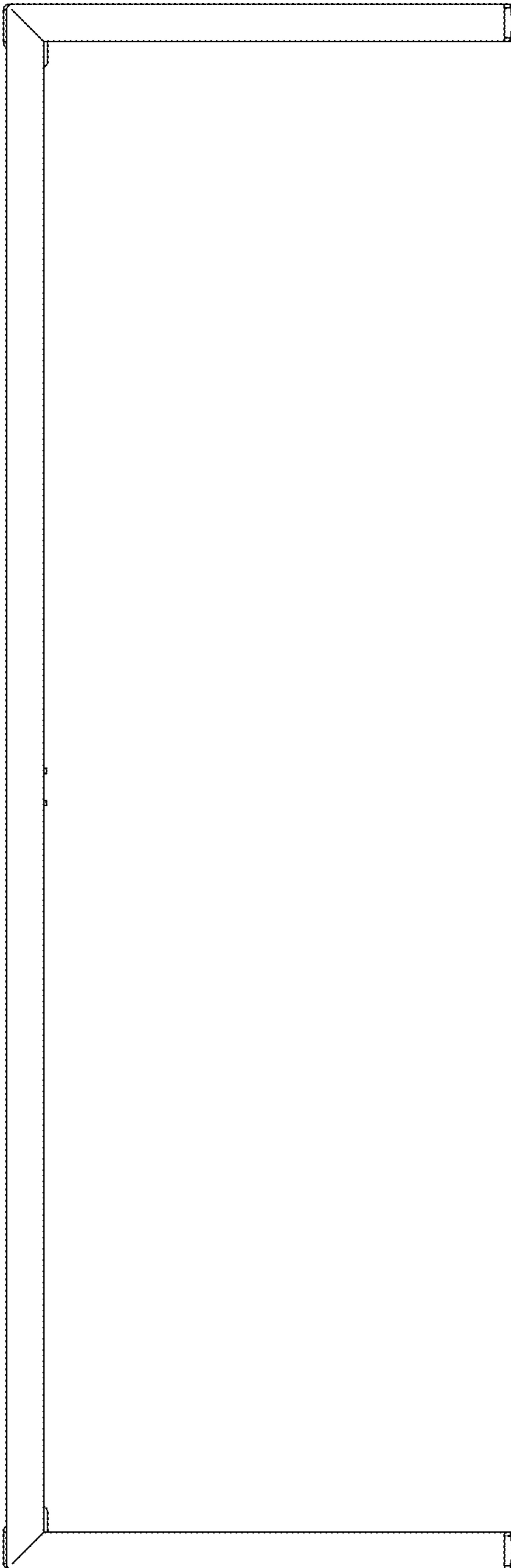


FIG. 2

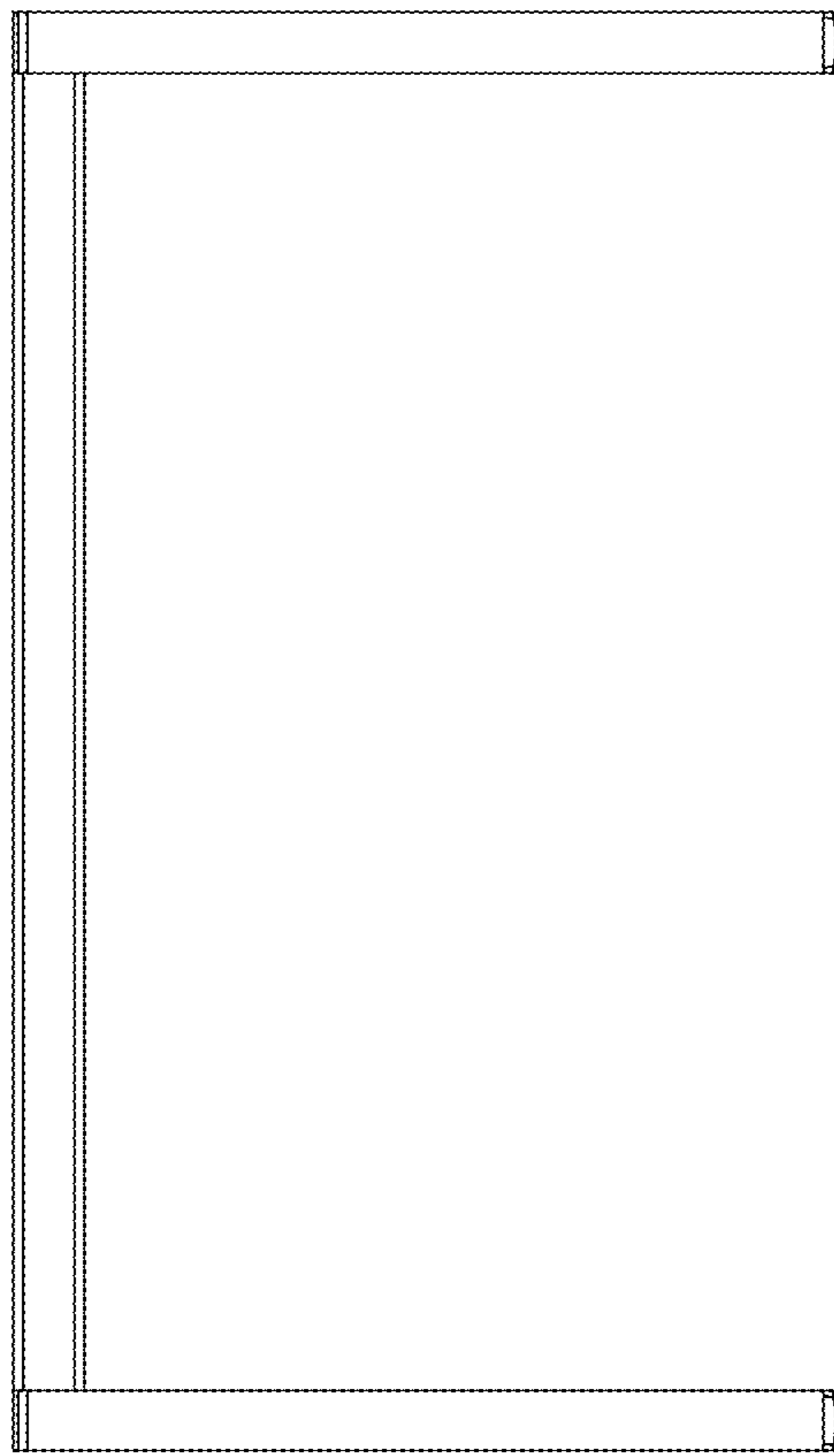


FIG. 3

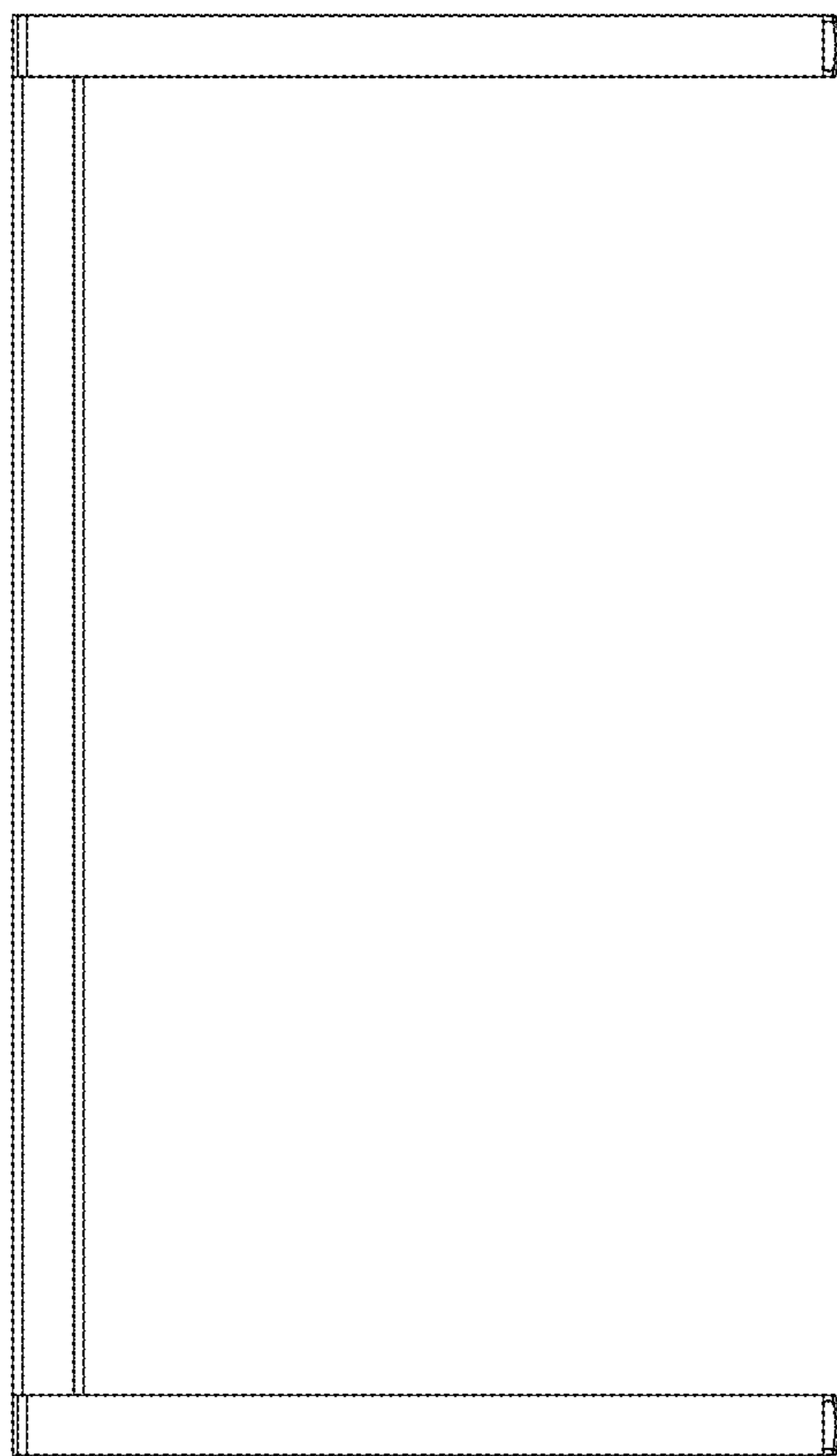


FIG. 4

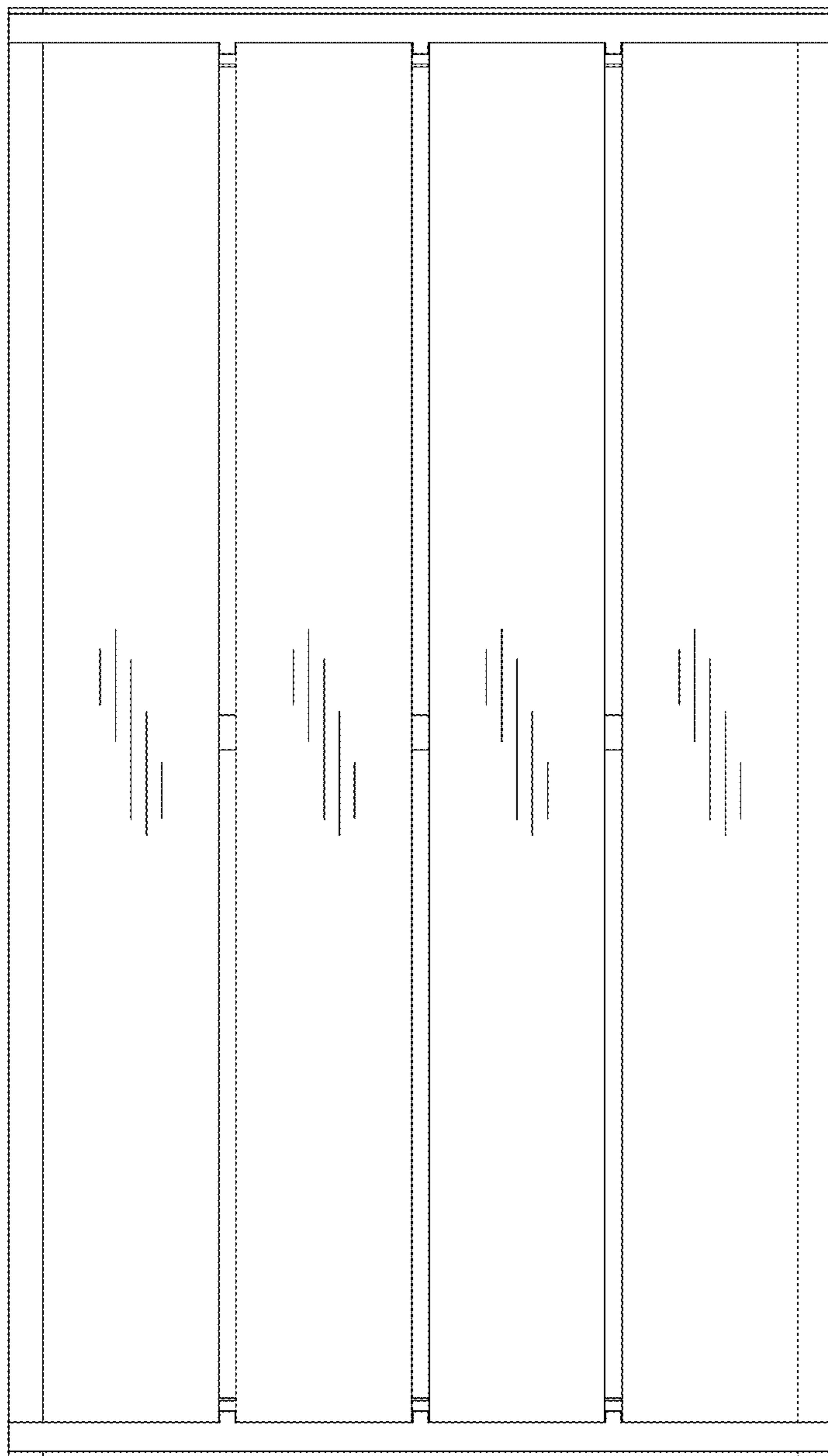


FIG. 5

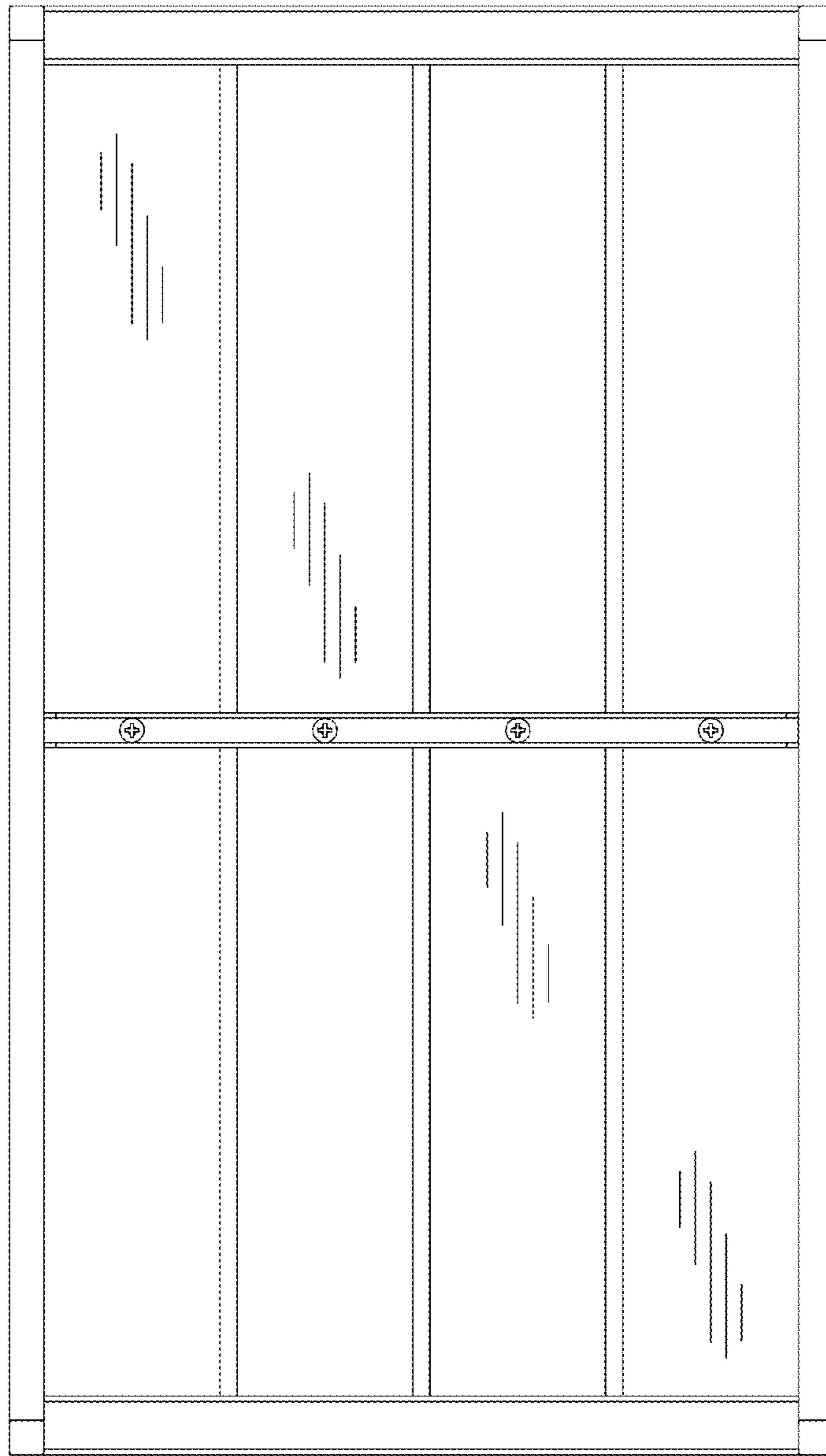


FIG. 6

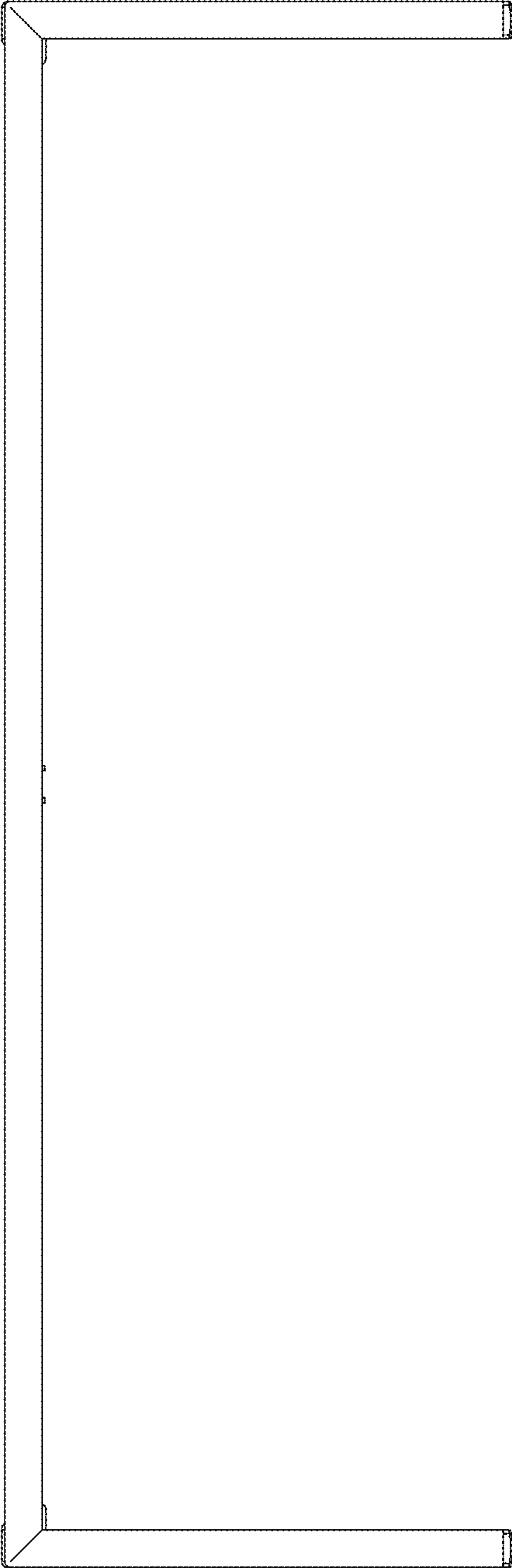


FIG. 7