



US00D716074S

(12) **United States Design Patent**
Kitajima

(10) **Patent No.:** **US D716,074 S**

(45) **Date of Patent:** **** Oct. 28, 2014**

(54) **DESK**

(71) Applicant: **Okamura Corporation**, Yokohama (JP)

(72) Inventor: **Haruhiko Kitajima**, Yokohama (JP)

(73) Assignee: **Okamura Corporation**, Kanagawa (JP)

(**) Term: **14 Years**

(21) Appl. No.: **29/448,066**

(22) Filed: **Mar. 8, 2013**

(30) **Foreign Application Priority Data**

Sep. 11, 2012 (JP) 2012-021951

(51) **LOC (10) Cl.** **06-03**

(52) **U.S. Cl.**
USPC **D6/654.21**

(58) **Field of Classification Search**
USPC D6/641, 656, 656.16, 656.17, 651, 652,
D6/654, 654.21; 312/194, 239; 108/50.01,
108/50.02

See application file for complete search history.

(56) **References Cited**

U.S. PATENT DOCUMENTS

5,697,686 A * 12/1997 Miller et al. 312/194

D414,350 S * 9/1999 Fear et al. D6/426
D530,939 S * 10/2006 Nakamura D6/425
D691,223 S * 10/2013 Hao D21/694
2011/0239908 A1 * 10/2011 Nakamura et al. 108/50.11

* cited by examiner

Primary Examiner — Janice Seeger

(74) *Attorney, Agent, or Firm* — Sughrue Mion, PLLC

(57) **CLAIM**

The ornamental design for a desk, as shown and described.

DESCRIPTION

FIG. 1 is a perspective view of a desk.

FIG. 2 is a front elevation view thereof.

FIG. 3 is a rear elevation view thereof.

FIG. 4 is a right side elevation view thereof. A left side elevation view is a mirror image of the right side elevation view.

FIG. 5 is a top plan view thereof.

FIG. 6 is a bottom plan view thereof.

FIG. 7 is a right side elevation view with the desktop uplifted and tilted.

FIG. 8 is a cross-sectional view taken along the line 8-8 in FIG. 2; and,

FIG. 9 is a cross-sectional view taken along the line 9-9 in FIG. 2.

1 Claim, 9 Drawing Sheets

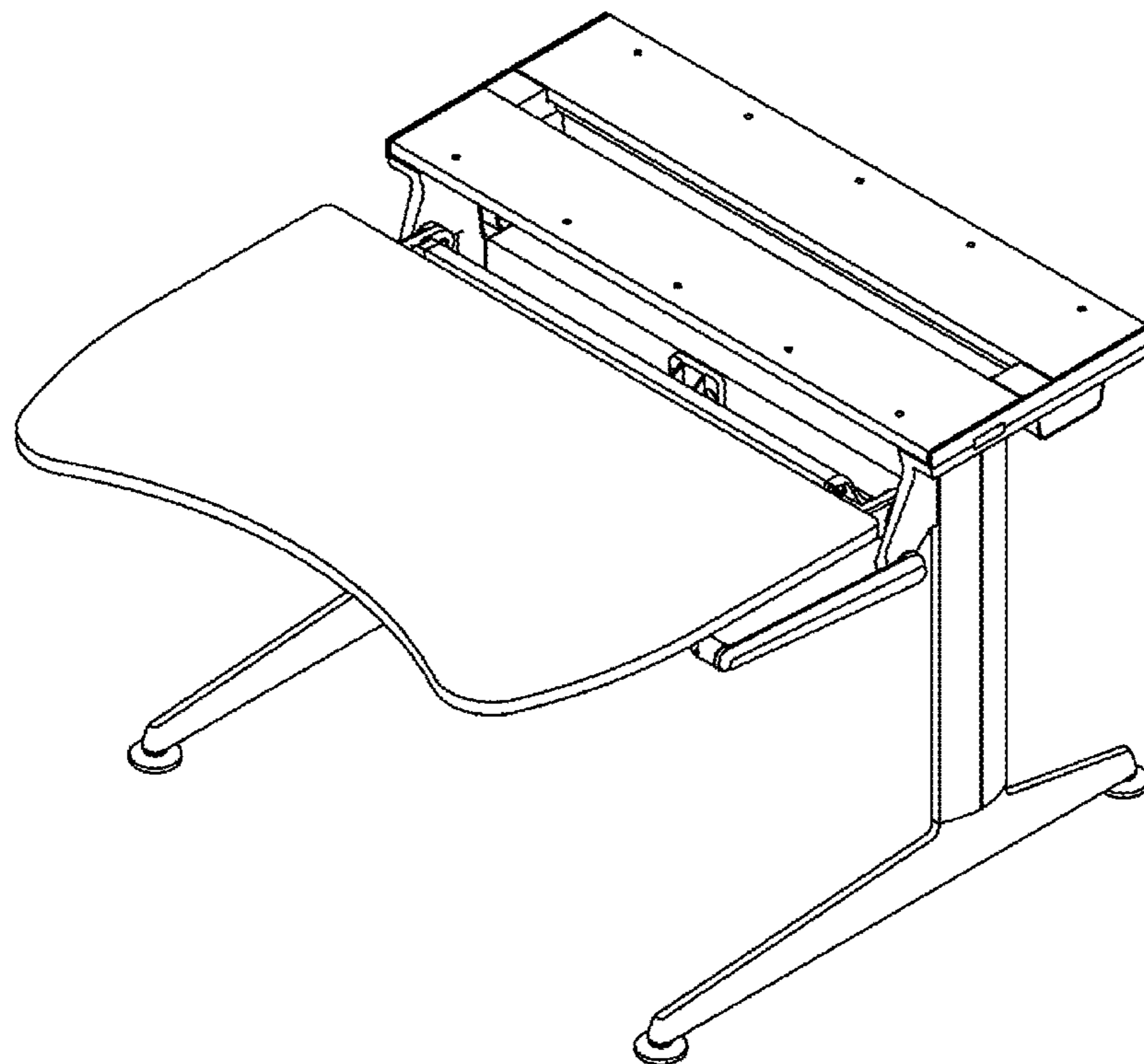


FIG. 1

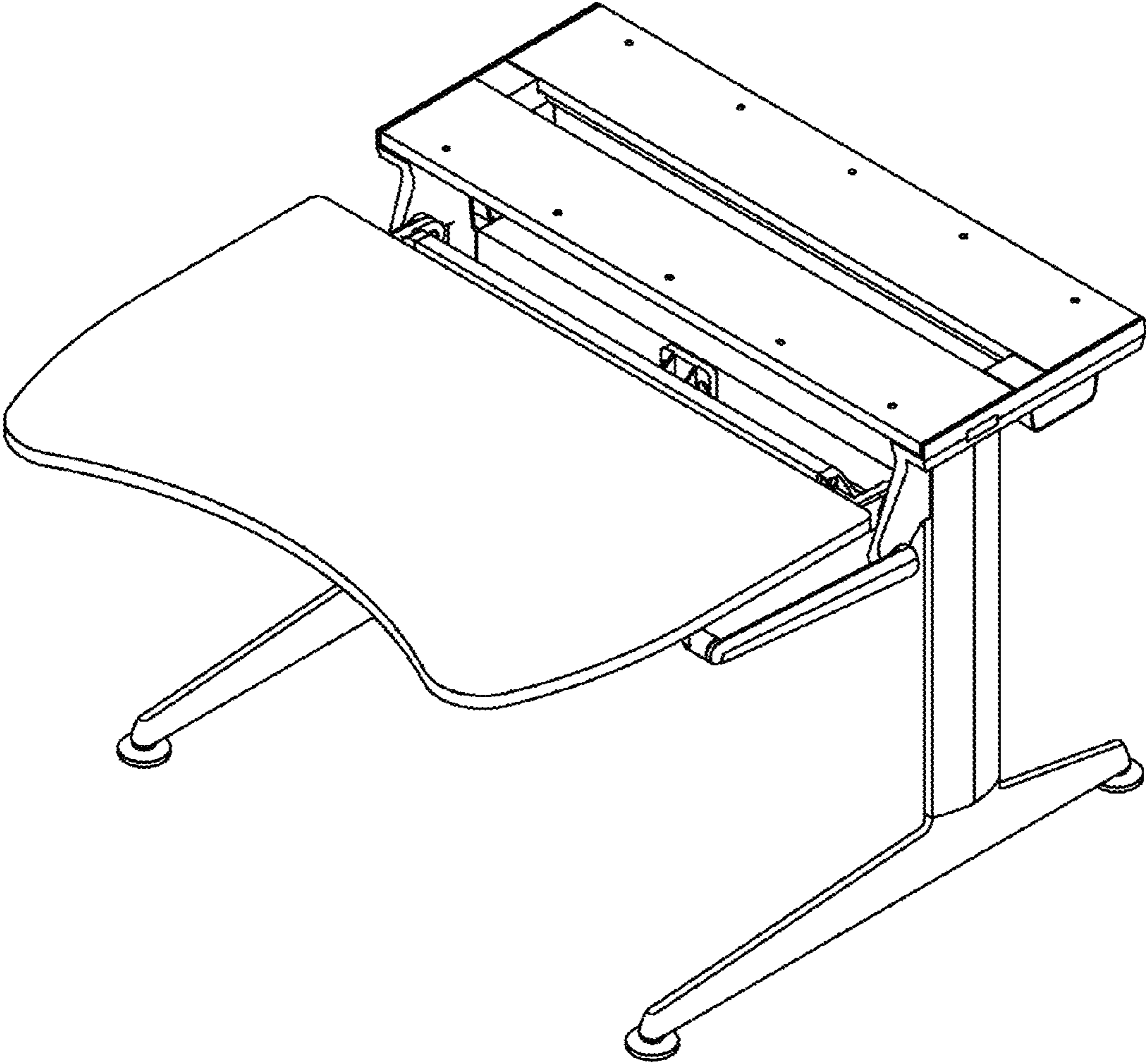


FIG. 2

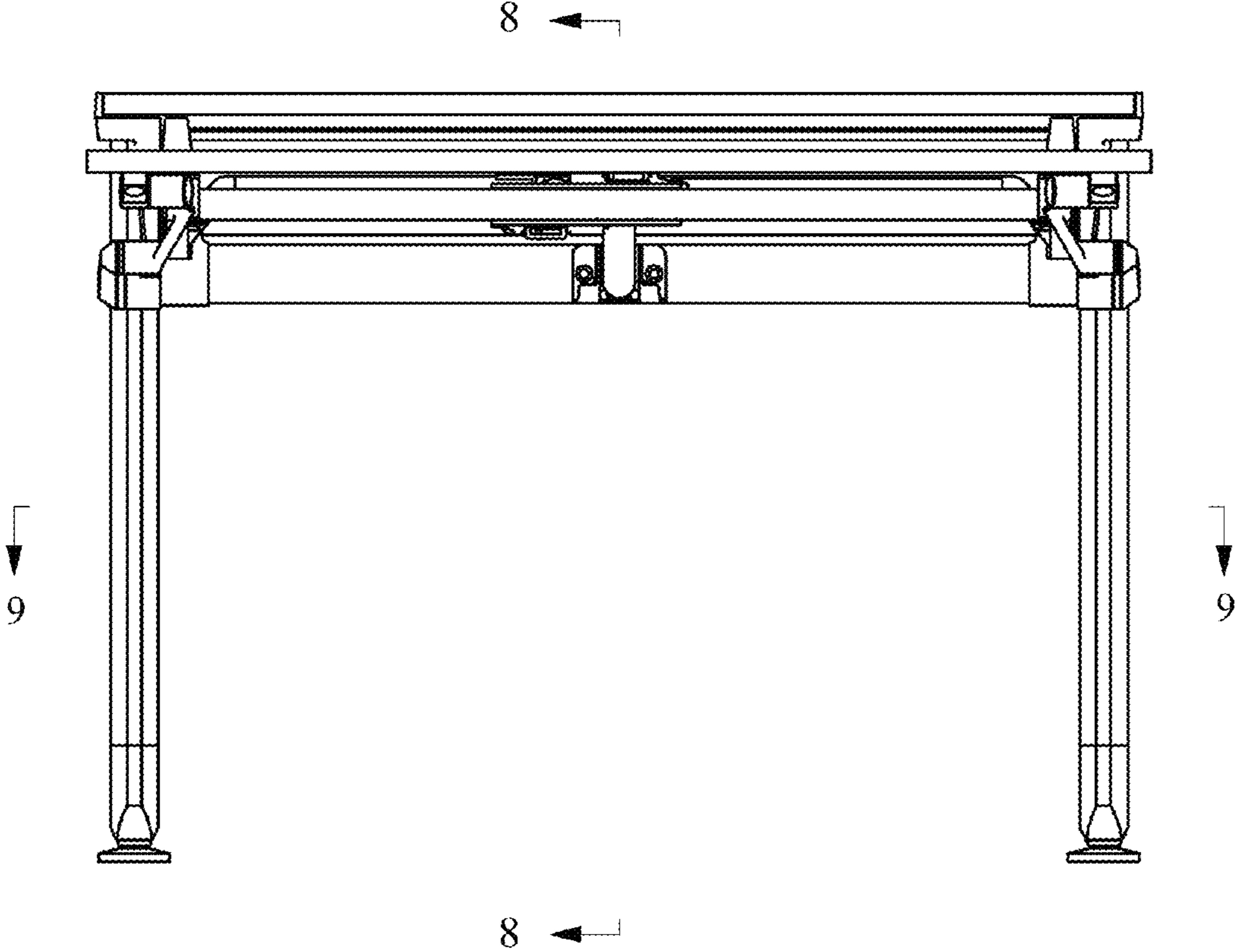


FIG. 3



FIG. 4

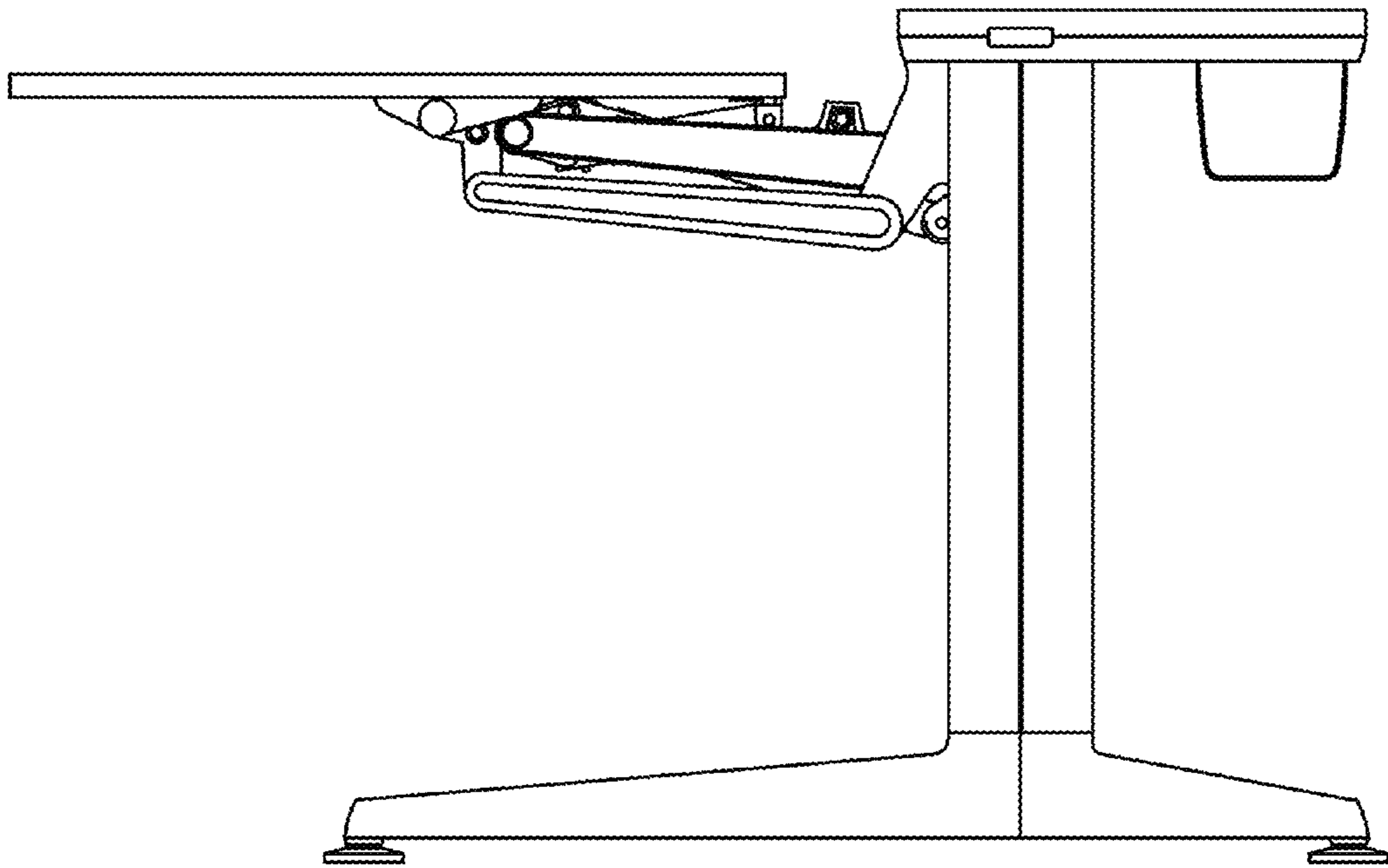


FIG. 5

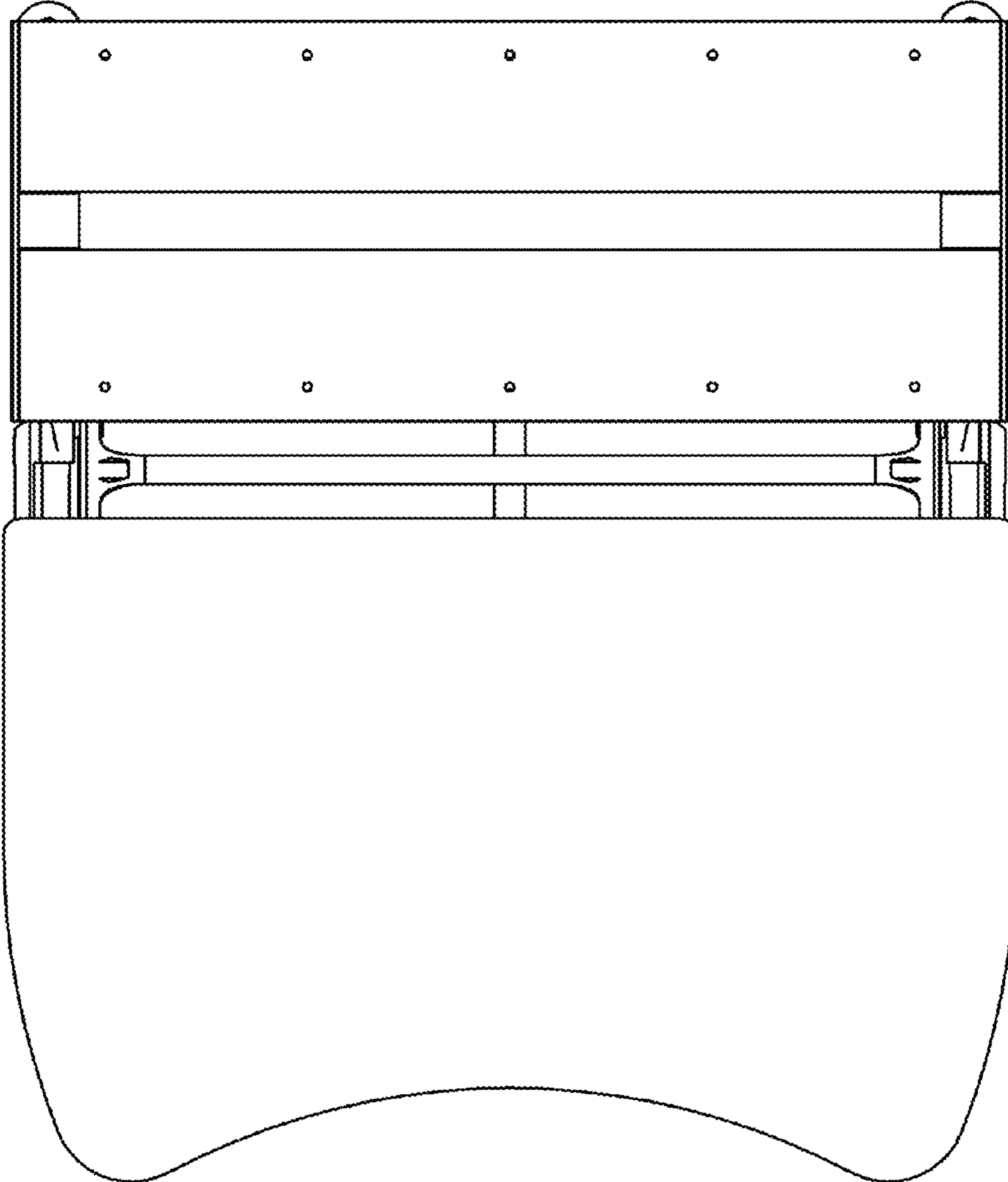


FIG. 6

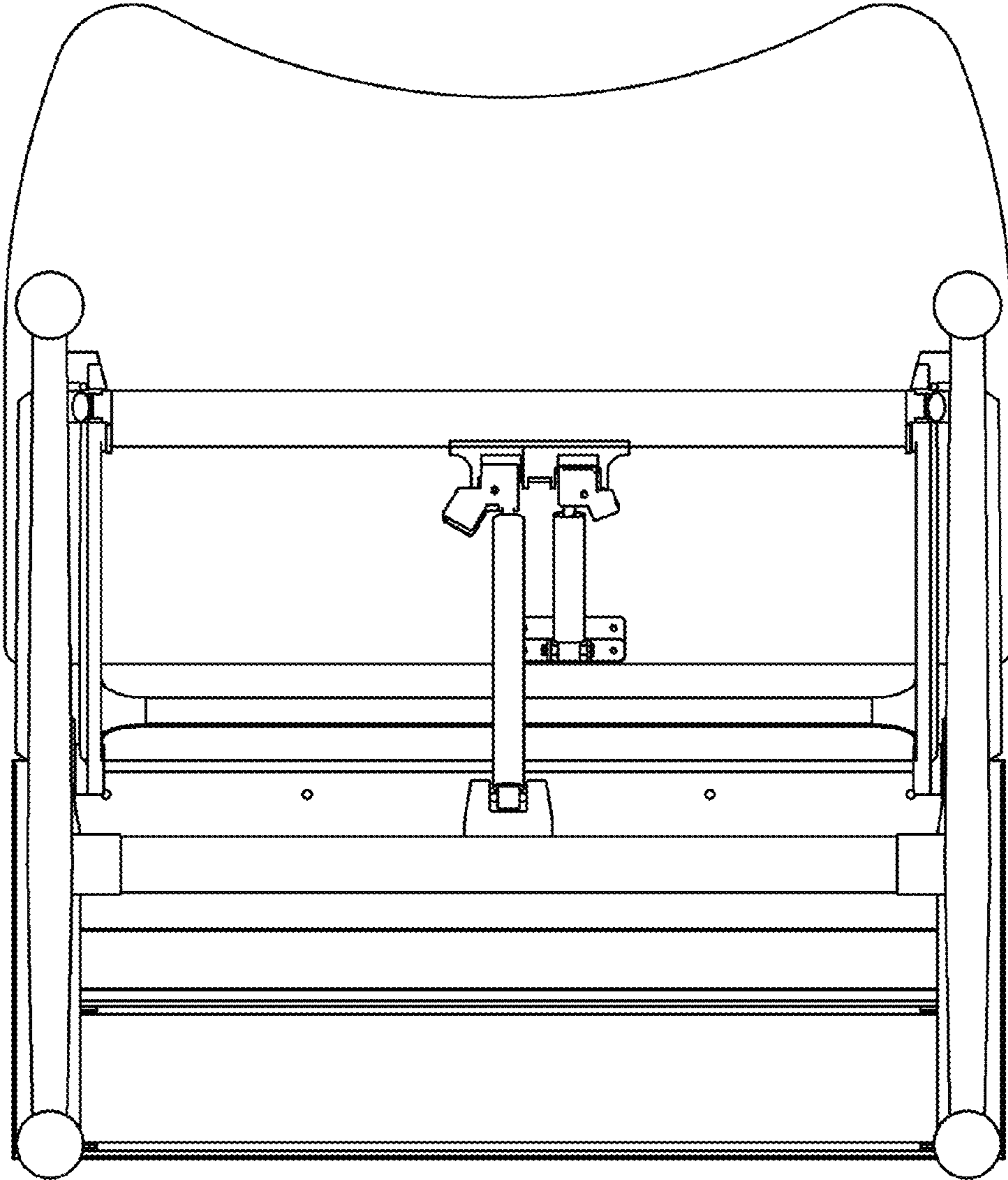


FIG. 7

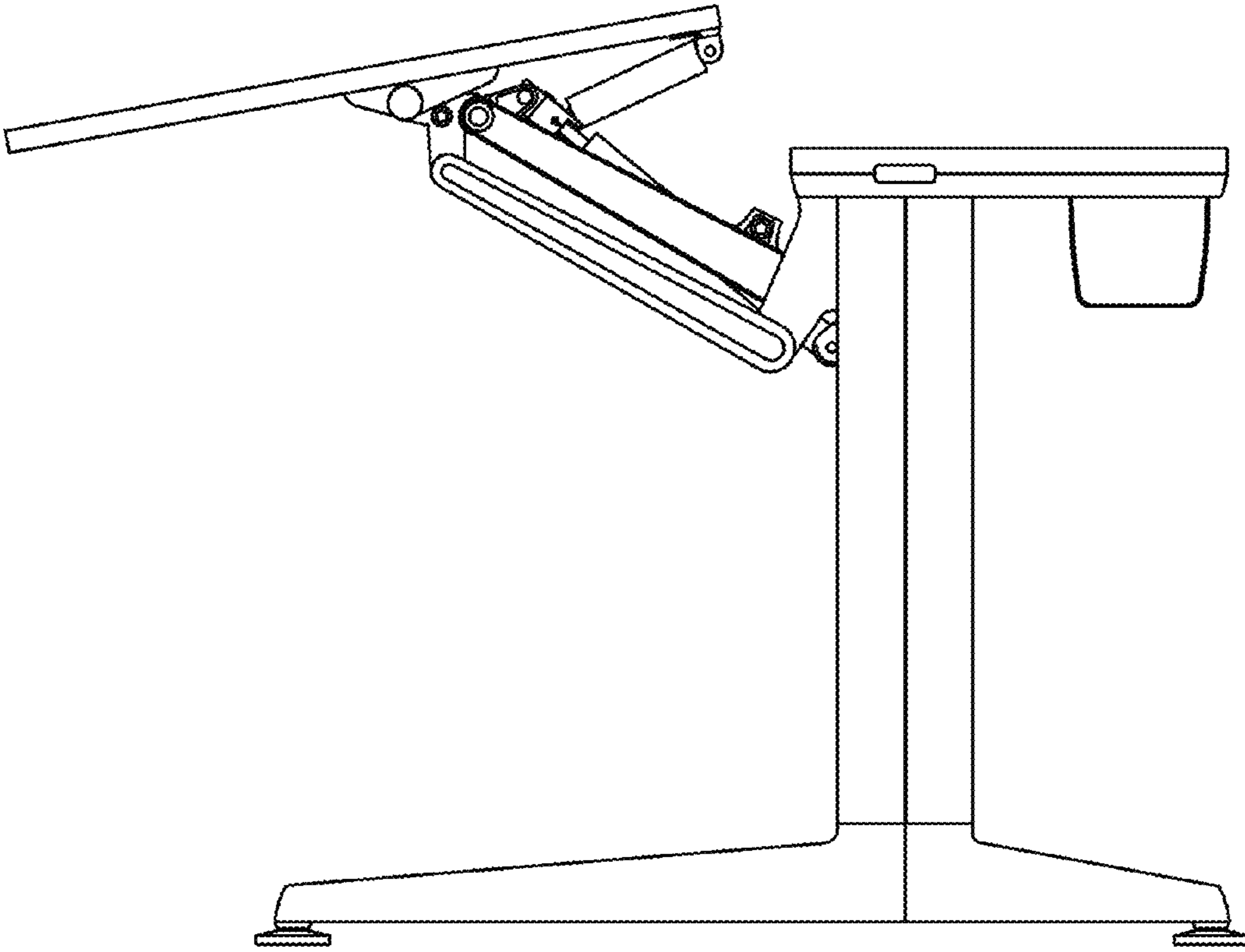


FIG. 8

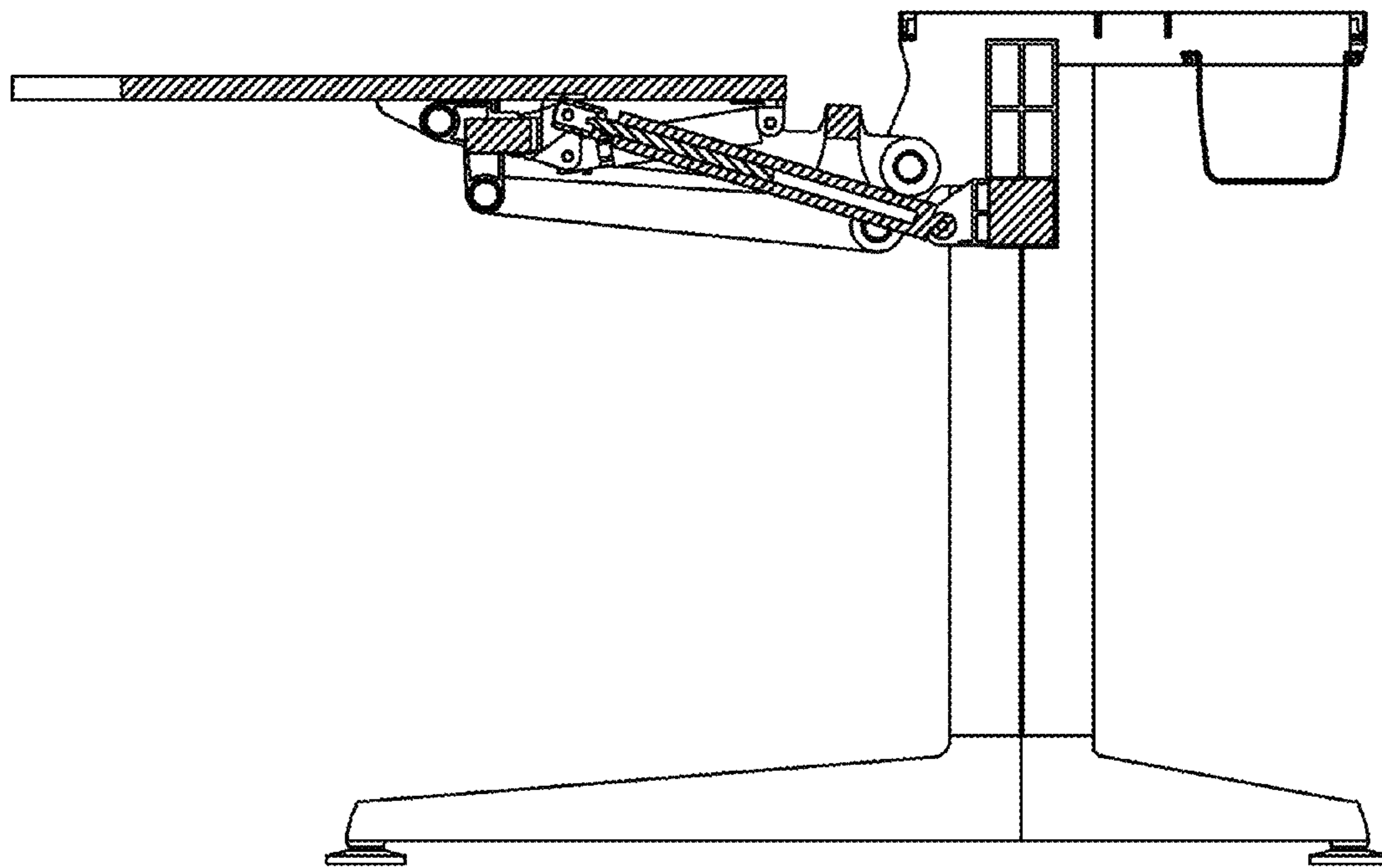


FIG. 9

