

US00D716073S

(12) **United States Design Patent**
Hsu

(10) **Patent No.:** **US D716,073 S**
(45) **Date of Patent:** **** Oct. 28, 2014**

(54) **DESK**

(71) Applicant: **David Hsu**, Waseca, MN (US)

(72) Inventor: **David Hsu**, Waseca, MN (US)

(**) Term: **14 Years**

(21) Appl. No.: **29/445,745**

(22) Filed: **Feb. 15, 2013**

(51) **LOC (10) Cl.** **06-03**

(52) **U.S. Cl.**
USPC **D6/654.17**

(58) **Field of Classification Search**
USPC D6/641, 656, 656.16, 656.17, 651, 652,
D6/654, 654.1, 654.17, 707.15; 312/194,
312/239; 108/50.01, 50.02; 248/188, 188.1
See application file for complete search history.

(56) **References Cited**

U.S. PATENT DOCUMENTS

949,666 A * 2/1910 Smylie et al. 108/92
2,535,500 A * 12/1950 Looft 219/218

(Continued)

OTHER PUBLICATIONS

<http://www.davidhsudesign.com/desk117.php>, printed from the web
on Feb. 1, 2013.

(Continued)

Primary Examiner — Janice Seeger

(74) *Attorney, Agent, or Firm* — Scully, Scott, Murphy &
Presser, P.C.

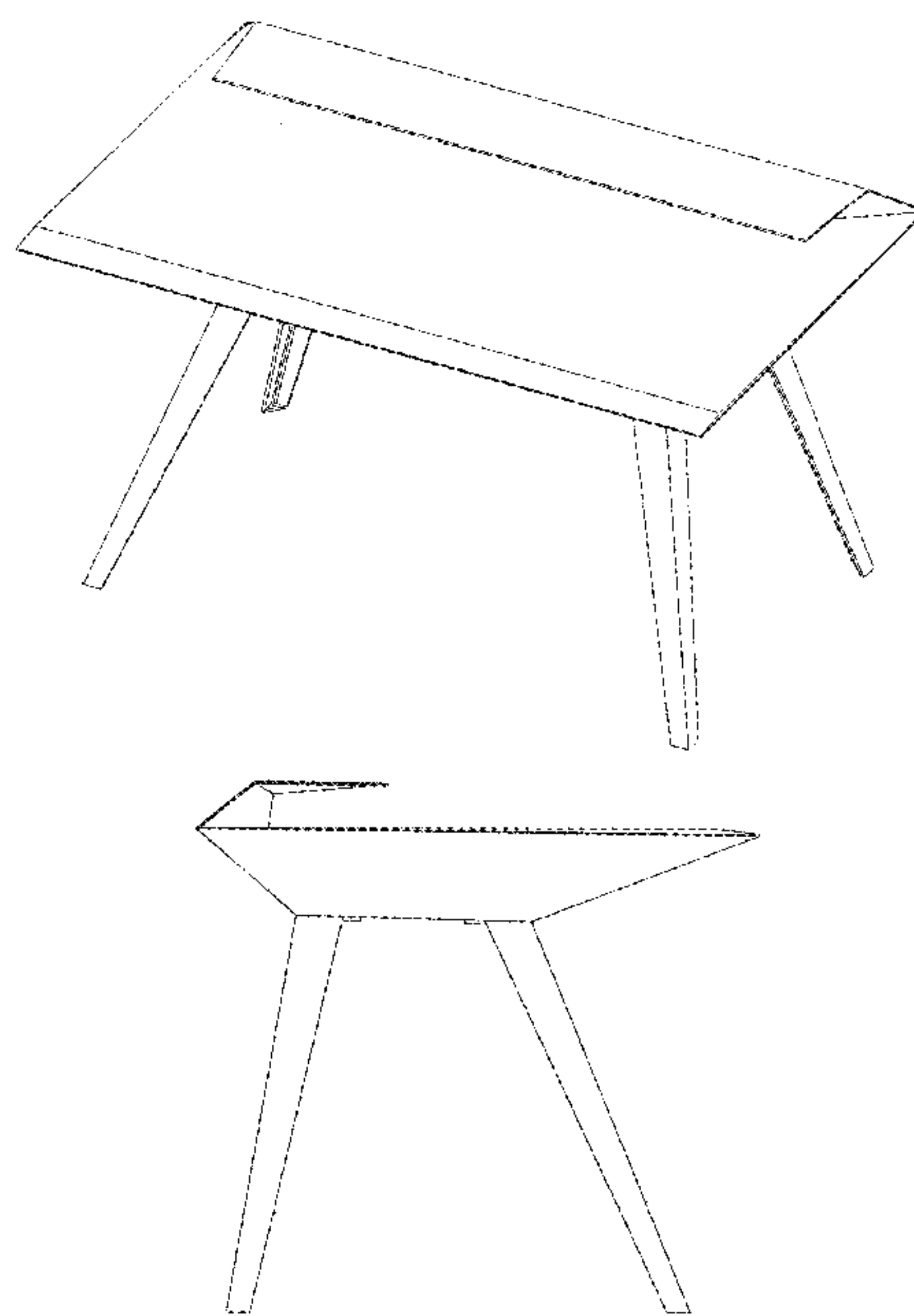
(57) **CLAIM**

The ornamental design for a desk, as shown and described.

DESCRIPTION

FIG. 1 is a perspective view of a desk showing my new design.
FIG. 2 is a front view of a desk showing my new design.
FIG. 3 is a rear view of a desk showing my new design.
FIG. 4 is a left-side view of a desk showing my new design.
FIG. 5 is a right-side view of a desk showing my new design.
FIG. 6 is a top view of a desk showing my new design.
FIG. 7 is a bottom view of a desk showing my new design.
FIG. 8 is a perspective view of a second embodiment of a desk
showing my new design, the only difference being the con-
figuration of the drawer and the support of the top shelf.
FIG. 9 is a front view of a second embodiment of a desk
showing my new design, the only difference being the con-
figuration of the drawer and the support of the top shelf.
FIG. 10 is a rear view of a second embodiment of a desk
showing my new design, the only difference being the con-
figuration of the drawer and the support of the top shelf.
FIG. 11 is a left-side view of a second embodiment of a desk
showing my new design, the only difference being the con-
figuration of the drawer and the support of the top shelf.
FIG. 12 is a right-side view of a second embodiment of a desk
showing my new design, the only difference being the con-
figuration of the drawer and the support of the top shelf.
FIG. 13 is a top view of a second embodiment of a desk
showing my new design, the only difference being the con-
figuration of the drawer and the support of the top shelf; and,
FIG. 14 is a bottom view of a second embodiment of a desk
showing my new design, the only difference being the con-
figuration of the drawer and the support of the top shelf.
The holes through which cables are routed and the screws that
affix the legs to the desk are shown in broken lines. The
broken lines form no part of the claimed design.

1 Claim, 14 Drawing Sheets



(56)

References Cited

U.S. PATENT DOCUMENTS

D168,508	S	*	12/1952	Hodgman	D6/430
4,748,913	A		6/1988	Favaretto et al.		
5,611,608	A		3/1997	Clausen		
D401,439	S		11/1998	Maguire, Jr. et al.		
D454,267	S	*	3/2002	Sabo et al.	D6/480
6,953,231	B2		10/2005	Markofer		
D571,586	S		6/2008	Burak		
D580,201	S	*	11/2008	Davis	D6/511
D585,663	S	*	2/2009	Beckley	D6/437
2005/0145148	A1		7/2005	Mason		

OTHER PUBLICATIONS

<http://www.bornrich.com/david-hsus-tech-carbon-desk-117-inspired-stealth-bomber.html>, printed from the web on Feb. 1, 2013.

<http://davidhsu.carbonmade.com/projects/4345555#1>, printed from the web on Feb. 1, 2013.

<http://gizmodo.com/desk-117/>, printed from the web on Feb. 1, 2013.

<http://blog.leibal.com/furniture/desk-117/>, printed from the web on Feb. 1, 2013.

The Airia Desk by Kaiju Studios, 2007.

The Envelope Desk by Jeff Weber and Bill Stumpf, 2009.

The Sense Desk by Daniel Korb, 2007.

Skribbordet by Christofer Odmark, published on Plastolux, Nov. 28, 2011 at <http://plastolux.com/modern-desk-skrivbordet-by-christofer-odmark.html>.

The Laura Desk by Ploem Studie, Oct. 15, 2012, at <http://blog.ploemstudio.com??p=577>.

* cited by examiner

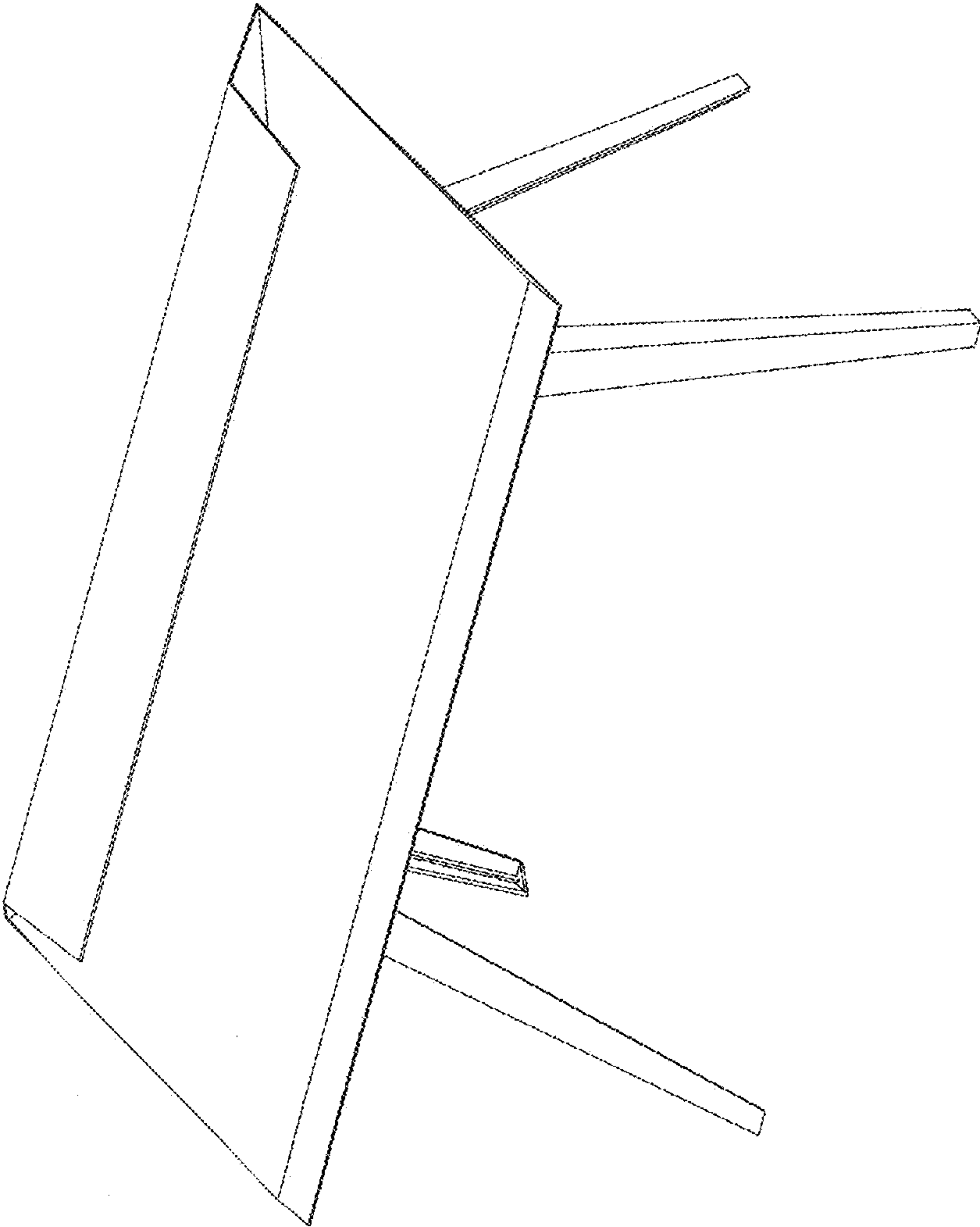


Figure 1

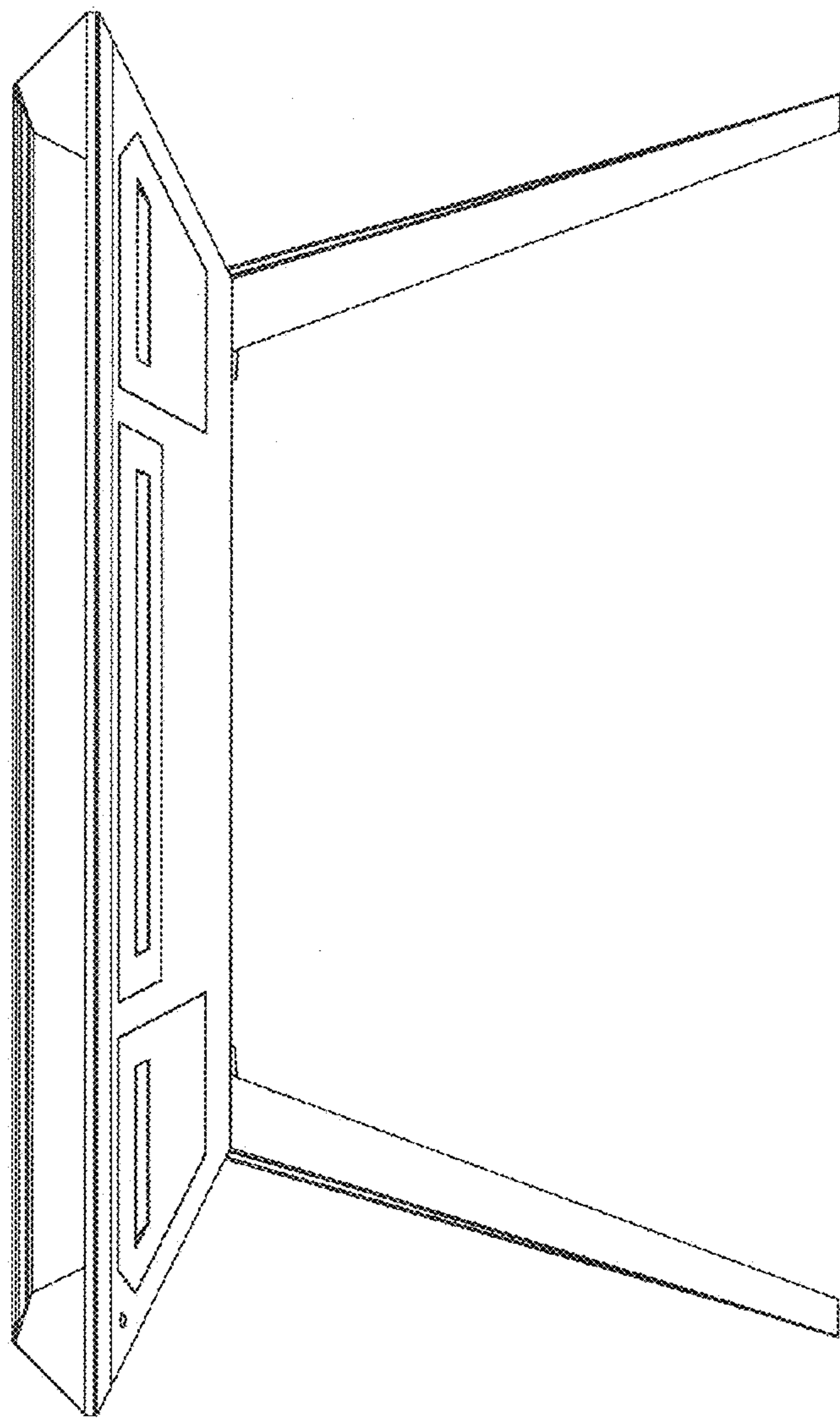


Figure 2

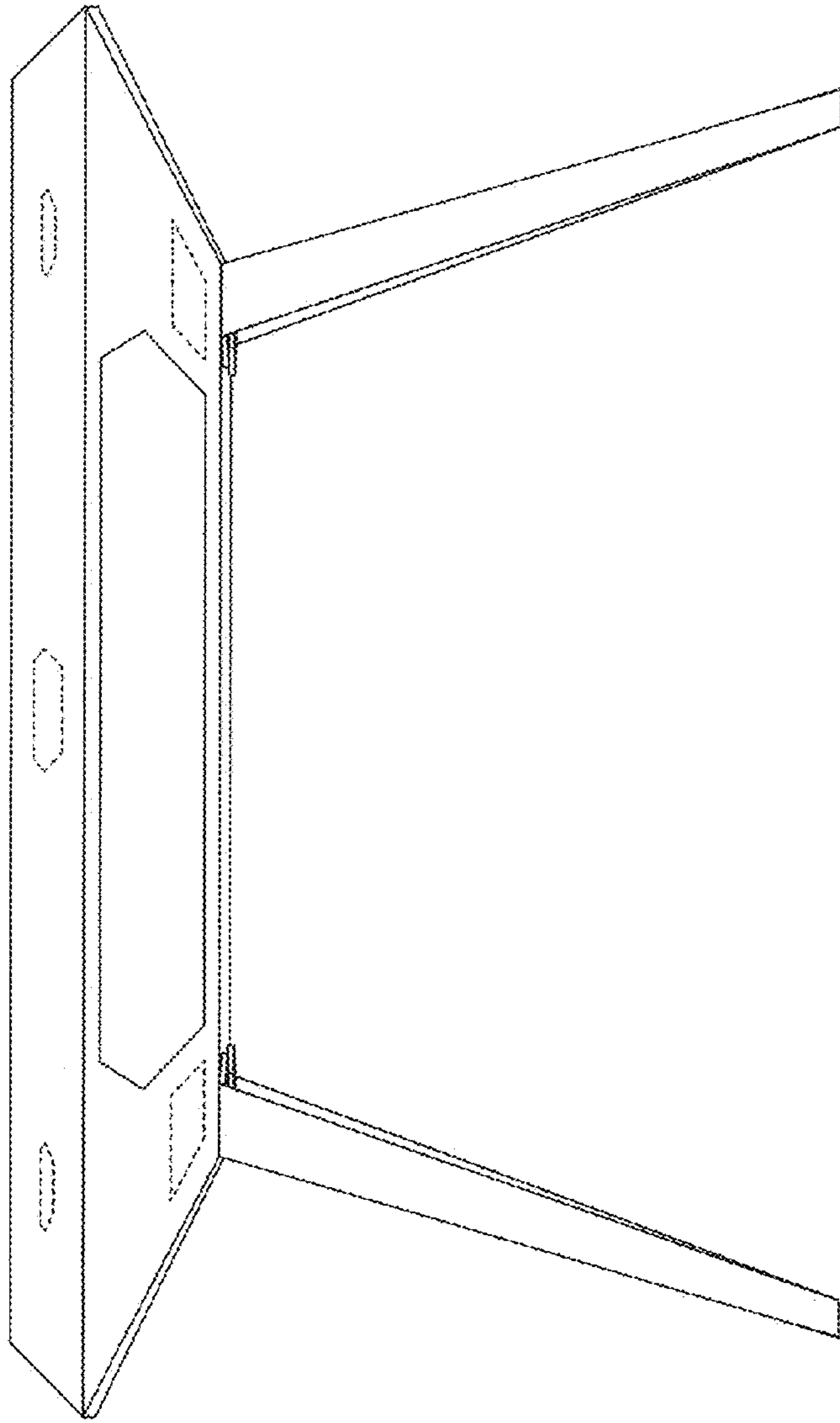


Figure 3

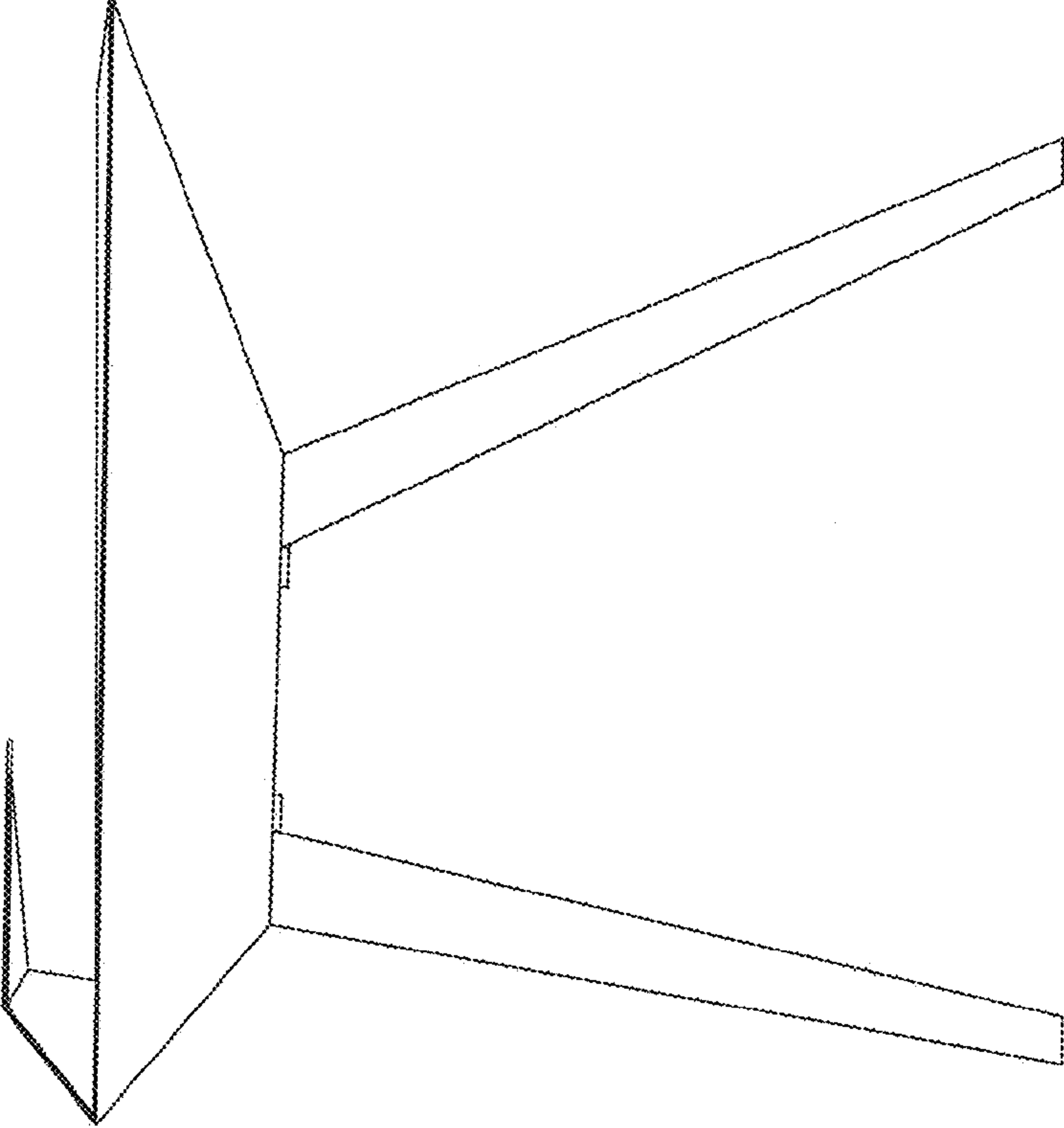


Figure 4

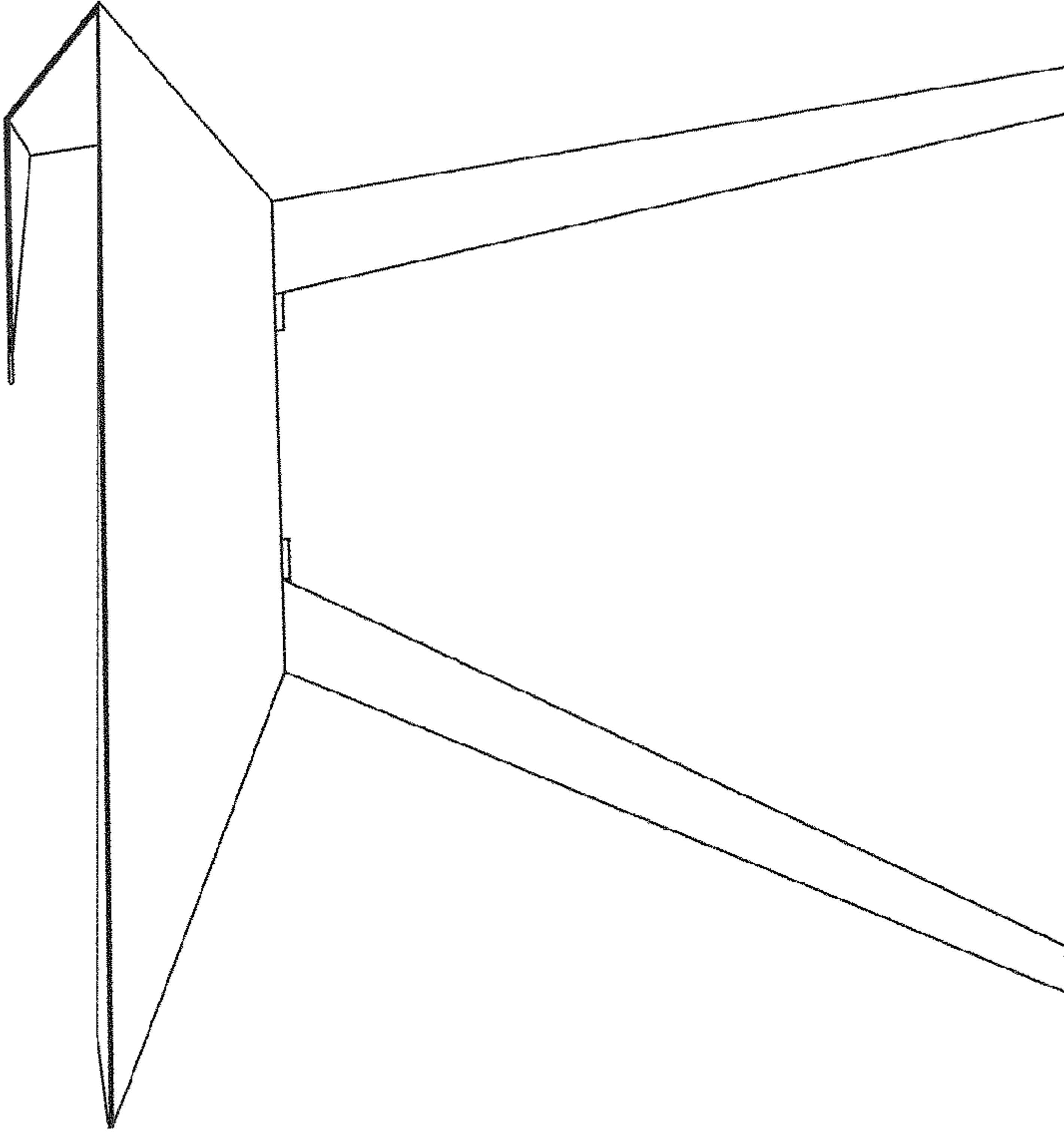


Figure 5

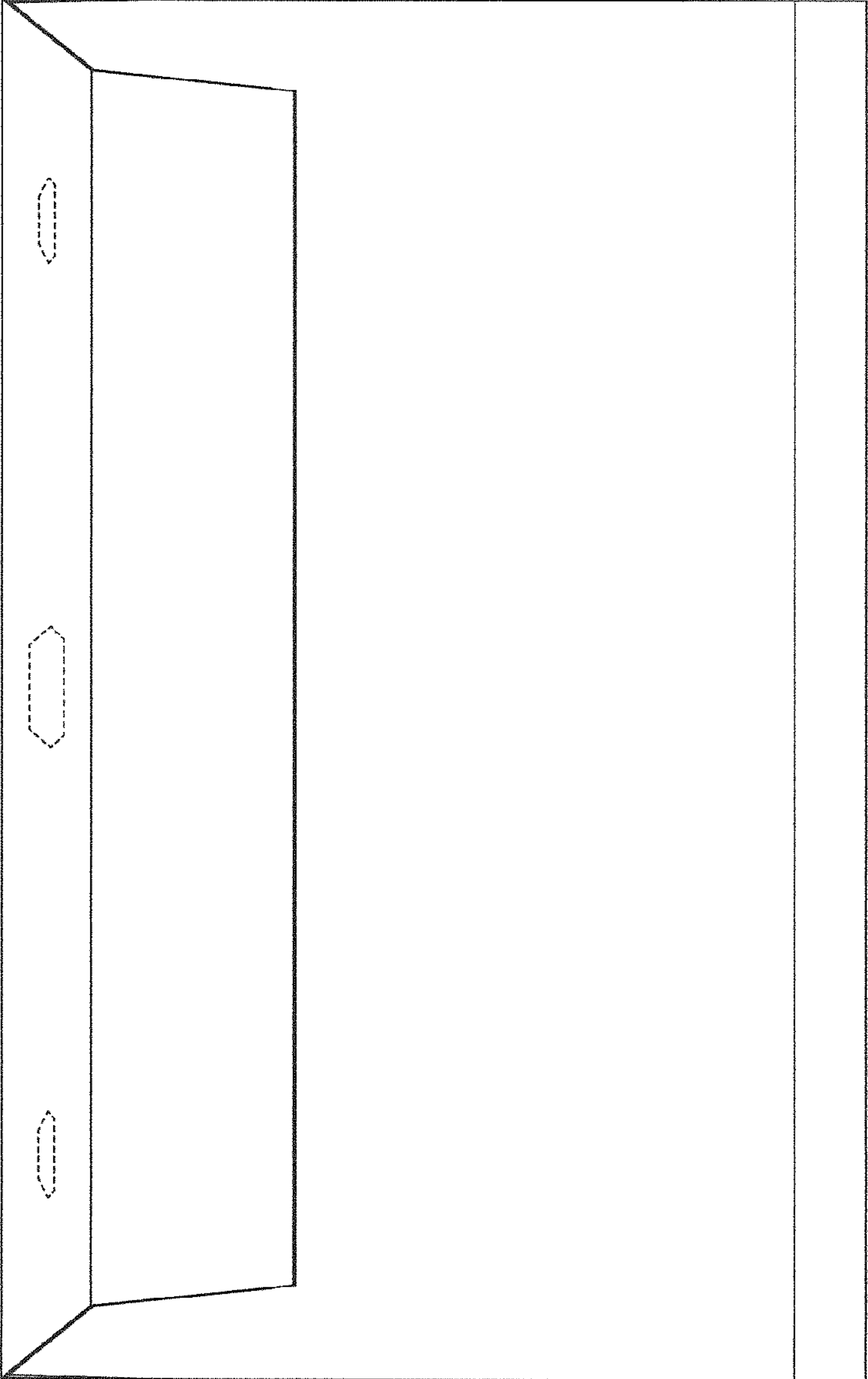


Figure 6

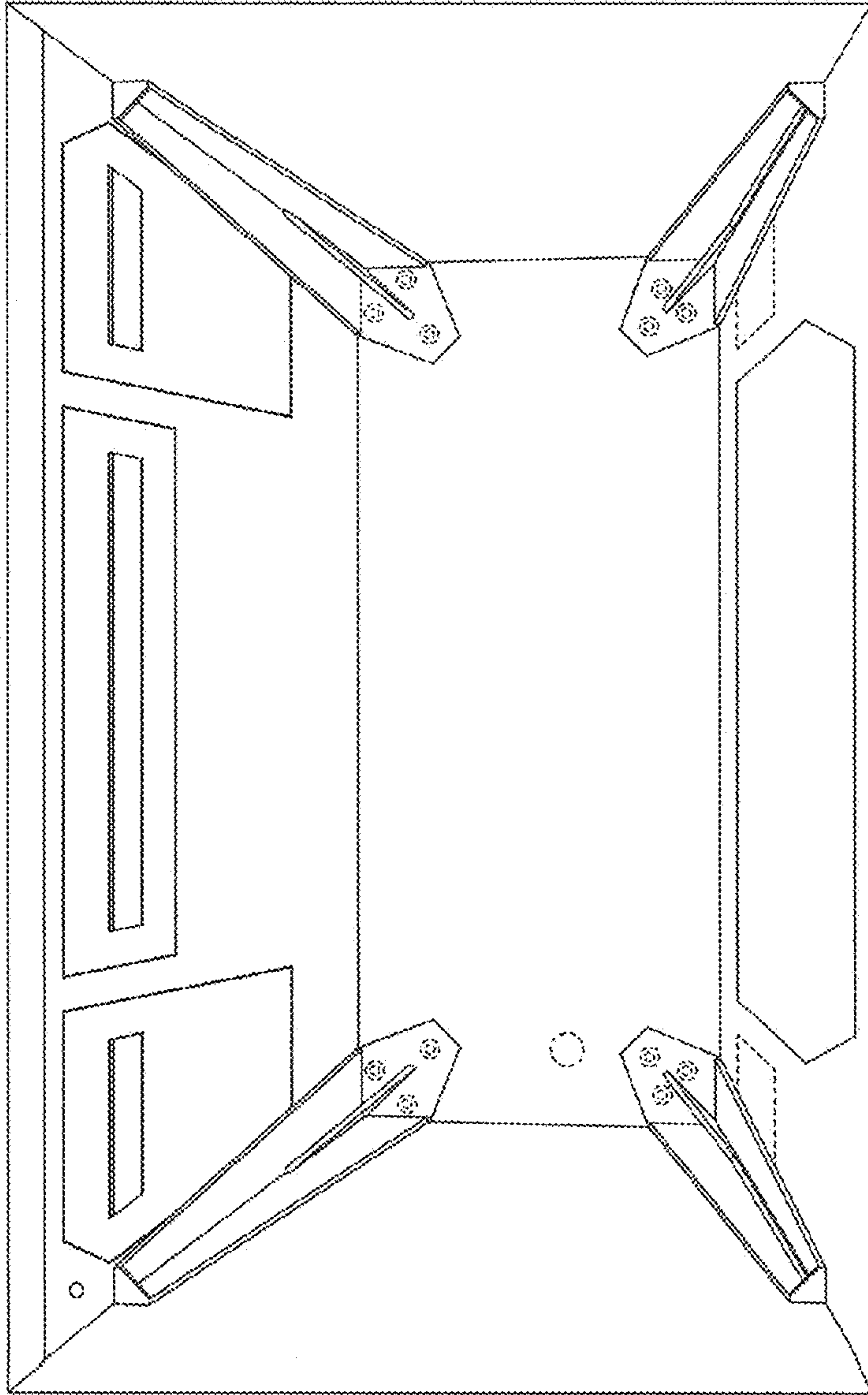


Figure 7

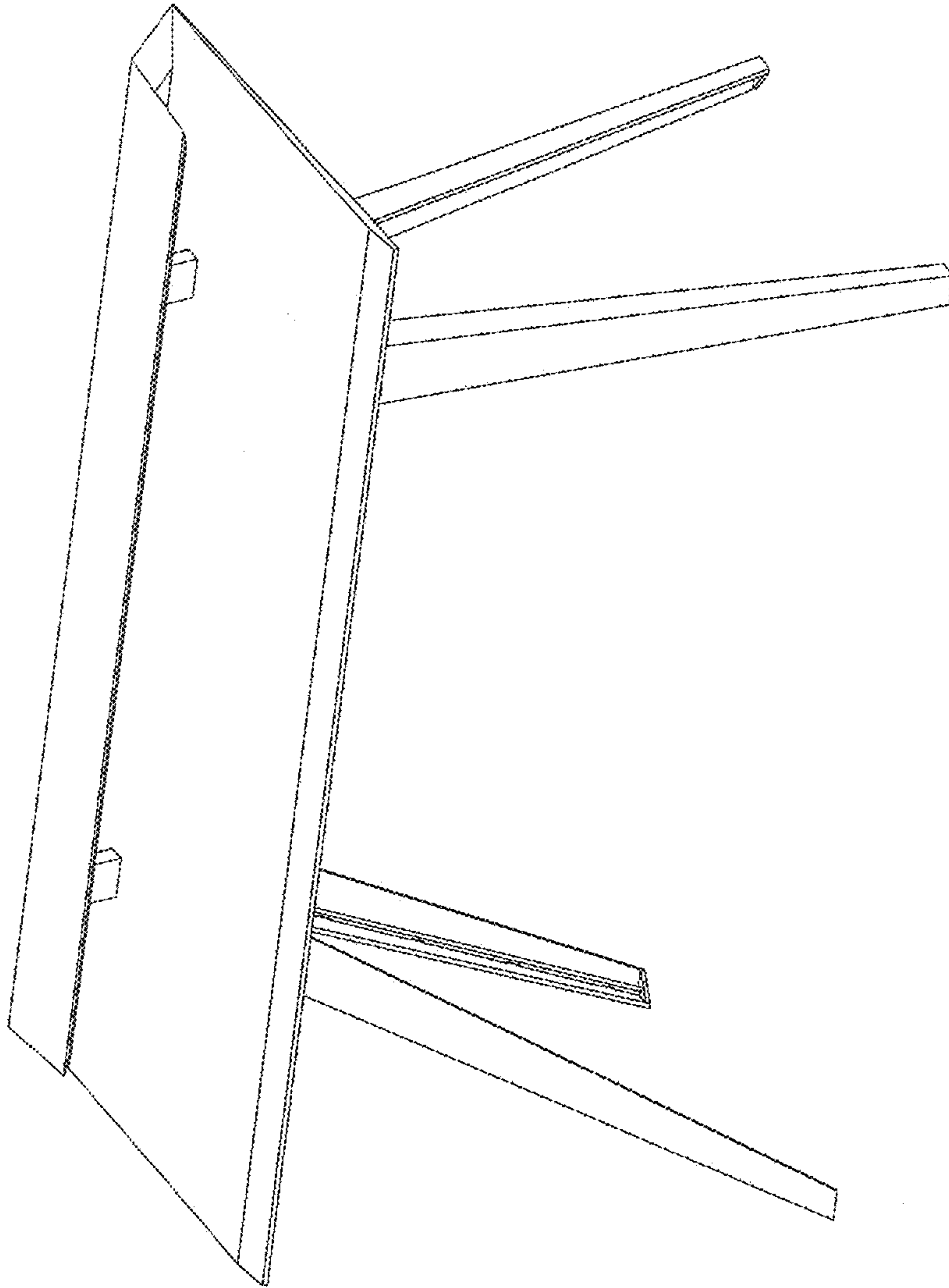


Figure 8

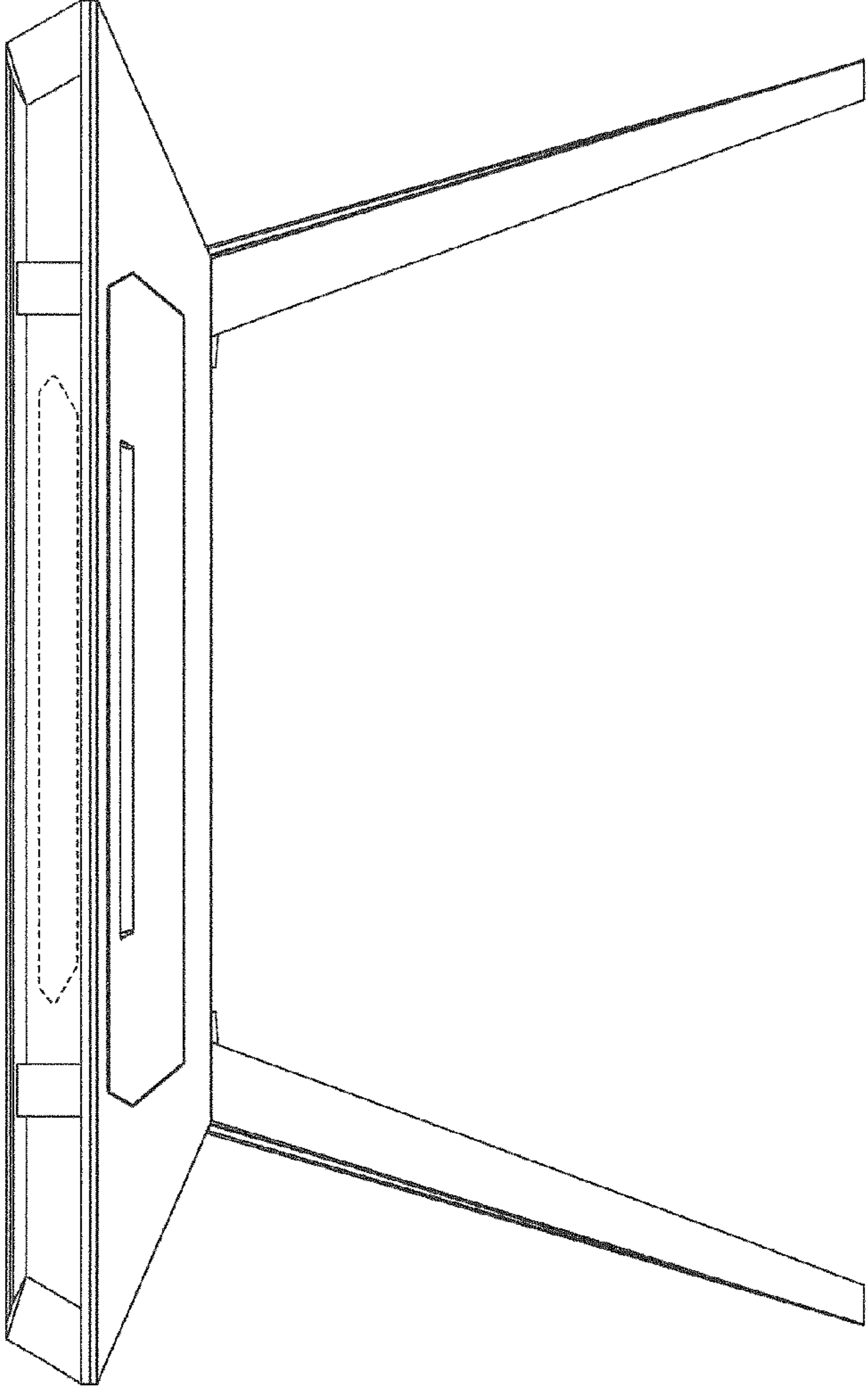


Figure 9

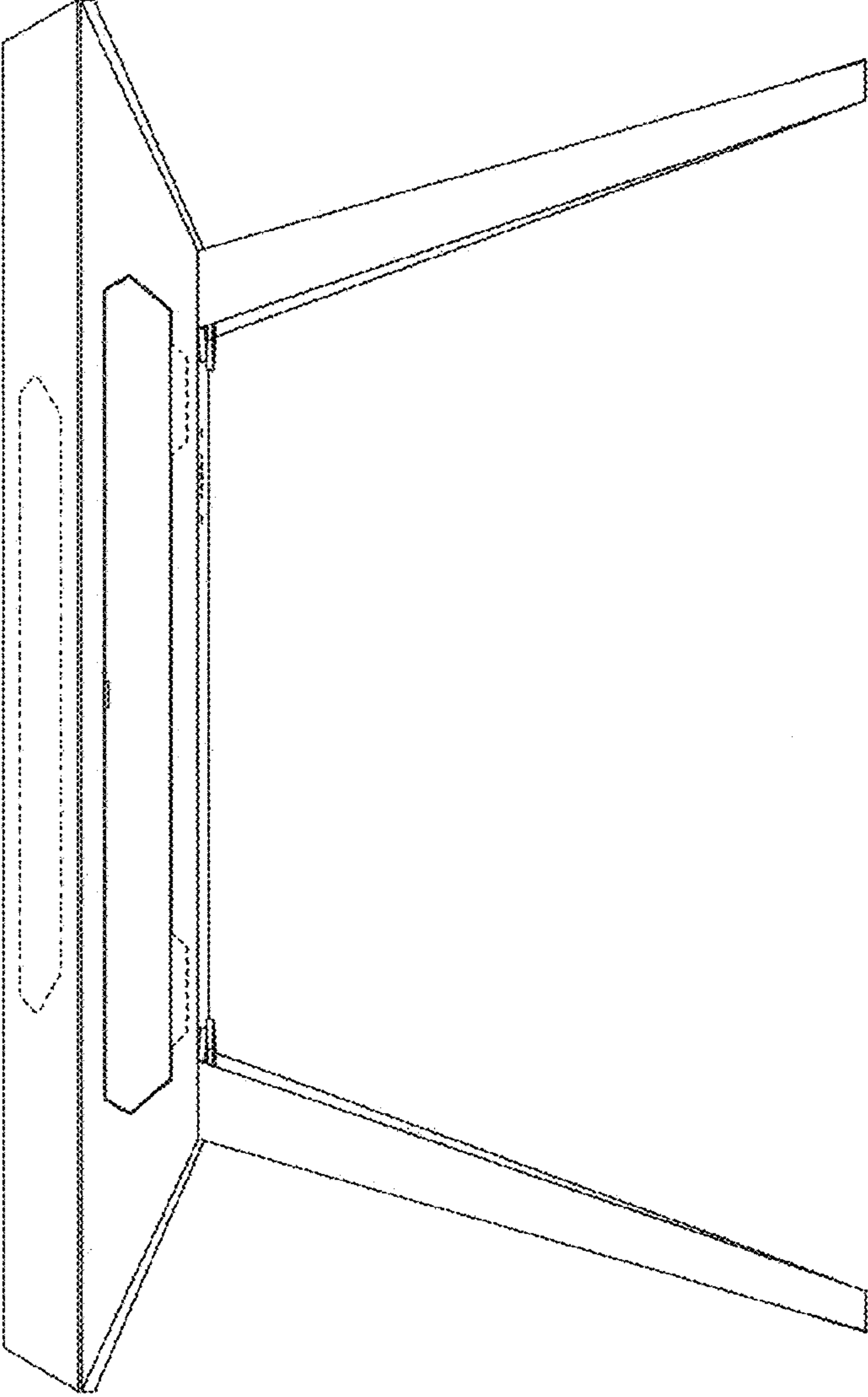


Figure 10

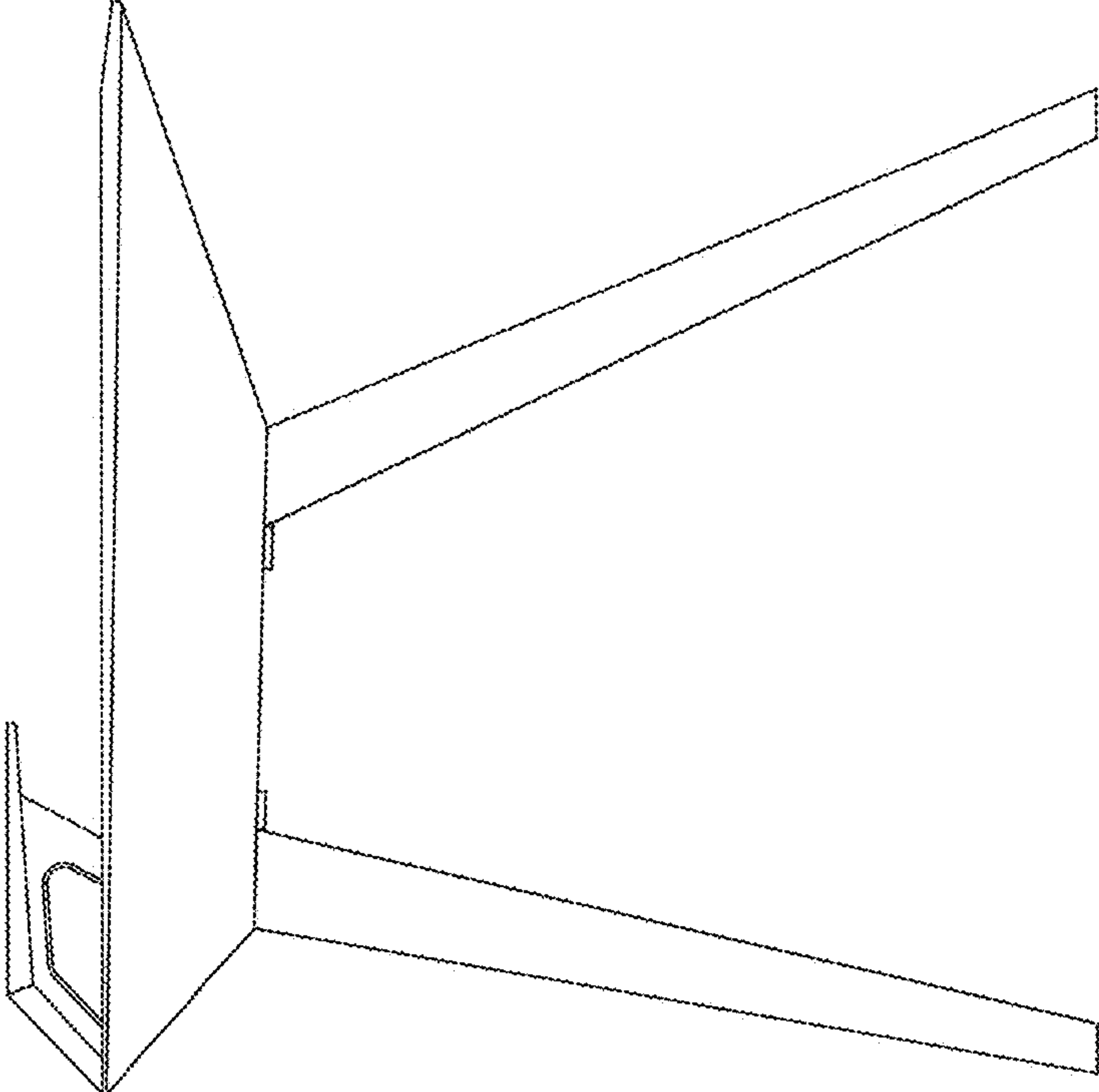


Figure 11

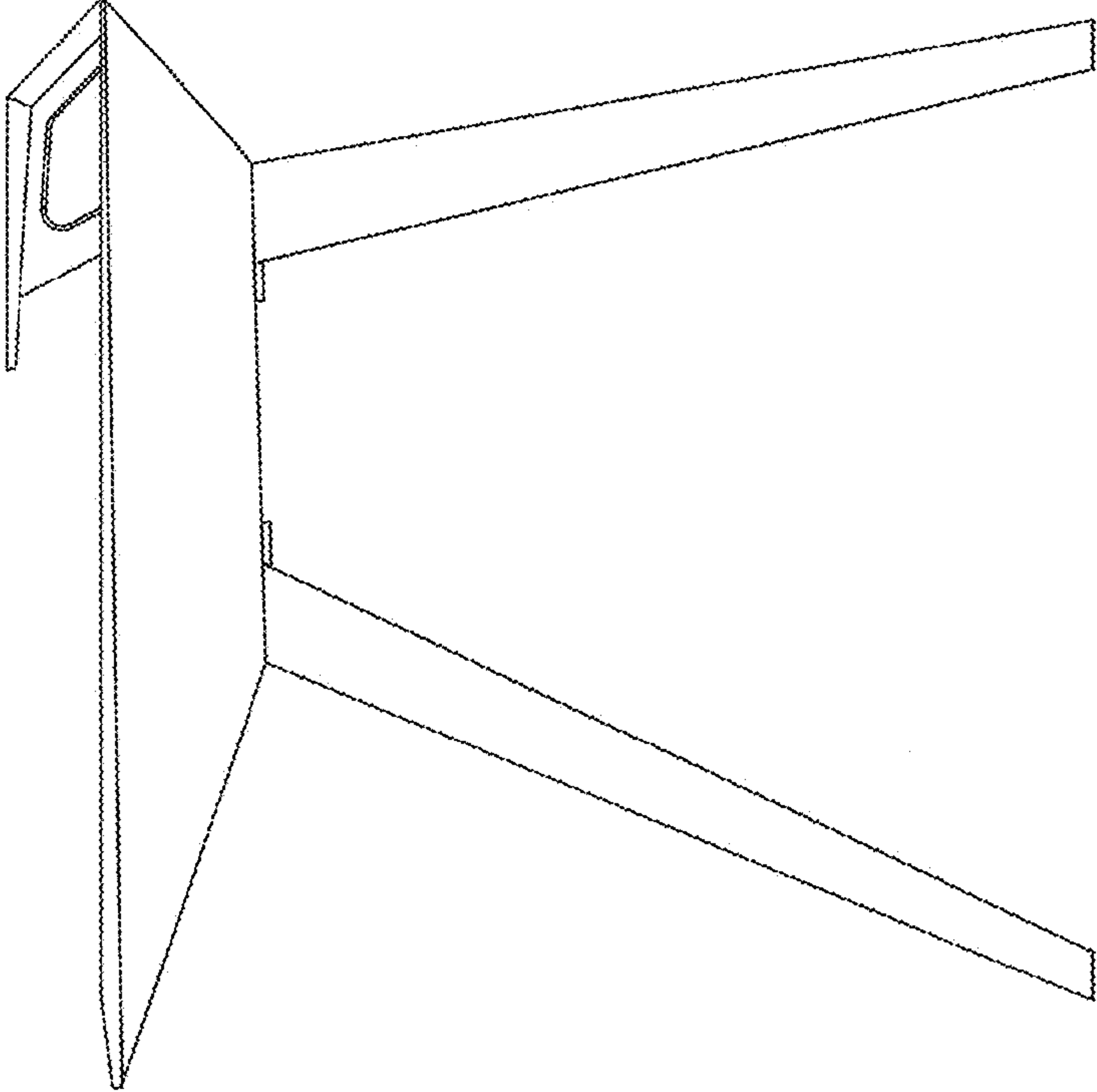


Figure 12

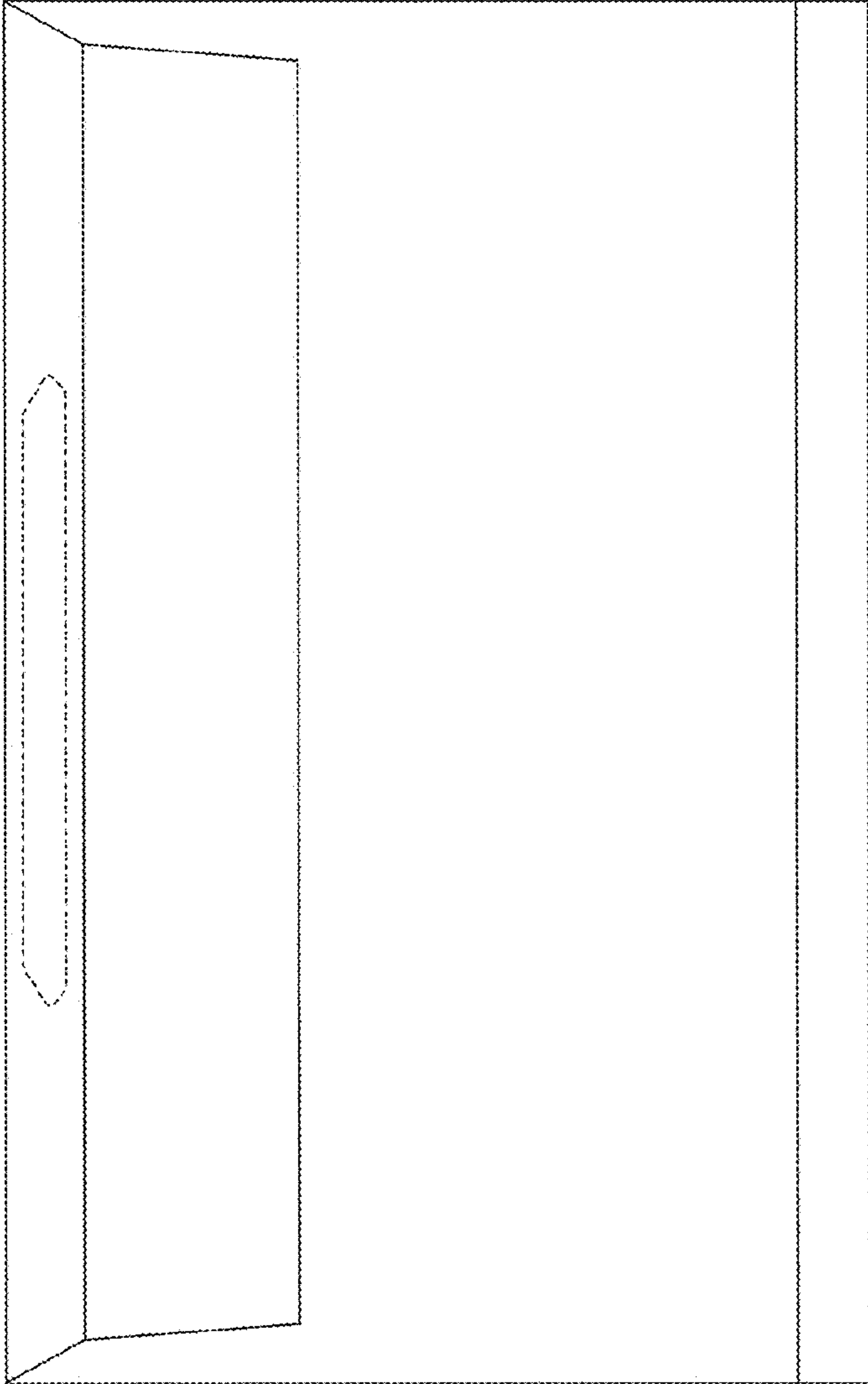


Figure 13

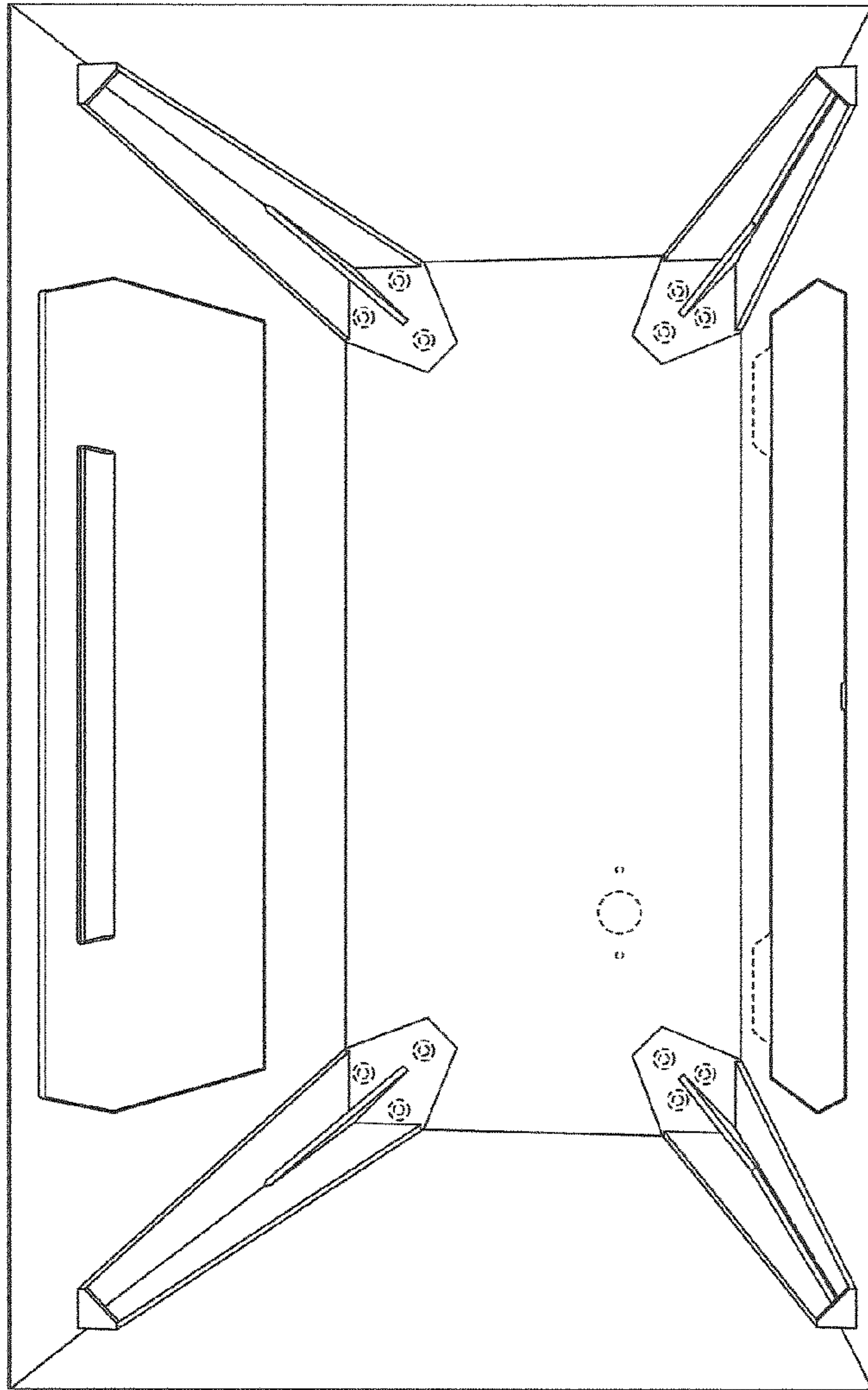


Figure 14