



US00D716072S

(12) **United States Design Patent**
Rose et al.

(10) **Patent No.:** **US D716,072 S**
(45) **Date of Patent:** **** Oct. 28, 2014**

(54) **ERGONOMIC PILLOW**

(76) Inventors: **Christina Rose**, Huntsville, AR (US);
Jason Rose, Huntsville, AR (US)

(**) Term: **14 Years**

(21) Appl. No.: **29/429,726**

(22) Filed: **Aug. 15, 2012**

Related U.S. Application Data

(63) Continuation-in-part of application No. 29/429,162, filed on Aug. 7, 2012, now abandoned, which is a continuation-in-part of application No. 29/385,852, filed on Feb. 21, 2011, now abandoned.

(51) **LOC (10) Cl.** **06-09**

(52) **U.S. Cl.**
USPC **D6/601**

(58) **Field of Classification Search**
USPC D6/595, 596, 601, 597; 5/417-420,
5/636, 638, 646, 647, 652, 652.1, 653,
5/655, 655.9, 656, 690
See application file for complete search history.

(56) **References Cited**

U.S. PATENT DOCUMENTS

D334,318 S * 3/1993 Chee D6/601
D363,403 S * 10/1995 Dixon D6/597
D441,588 S * 5/2001 Roberts et al. D6/601

D444,980 S * 7/2001 Mowat et al. D6/601
D448,228 S * 9/2001 Davis et al. D6/601
D455,311 S * 4/2002 Fux D6/601
D457,771 S * 5/2002 Boxrud D6/601
2011/0131728 A1* 6/2011 Rose et al. 5/636

* cited by examiner

Primary Examiner — Janice Seeger

(74) *Attorney, Agent, or Firm* — The Law Office of Jerry D. Haynes

(57) **CLAIM**

The ornamental design for an ergonomic pillow, as shown.

DESCRIPTION

FIG. 1 is a perspective view of the ergonomic pillow of the present invention.

FIG. 2 is a first side view of the ergonomic pillow according to present invention.

FIG. 3 is a second side view of the ergonomic pillow according to the present invention.

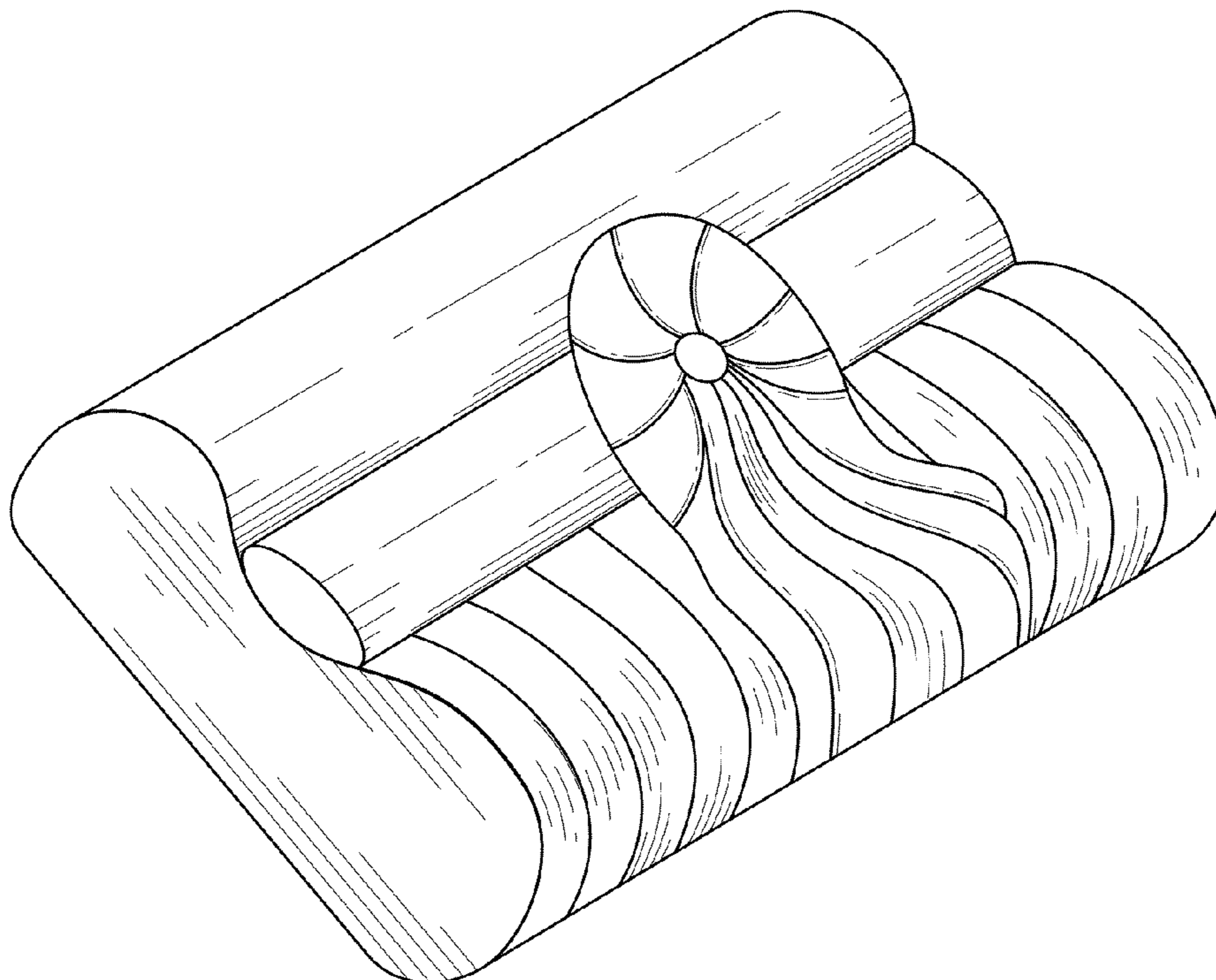
FIG. 4 is a front view of the ergonomic pillow according to the present invention.

FIG. 5 is a rear view of the ergonomic pillow according to the present invention.

FIG. 6 is a top view of the ergonomic pillow according to the present invention; and,

FIG. 7 is a bottom view of the ergonomic pillow according to the present invention.

1 Claim, 3 Drawing Sheets



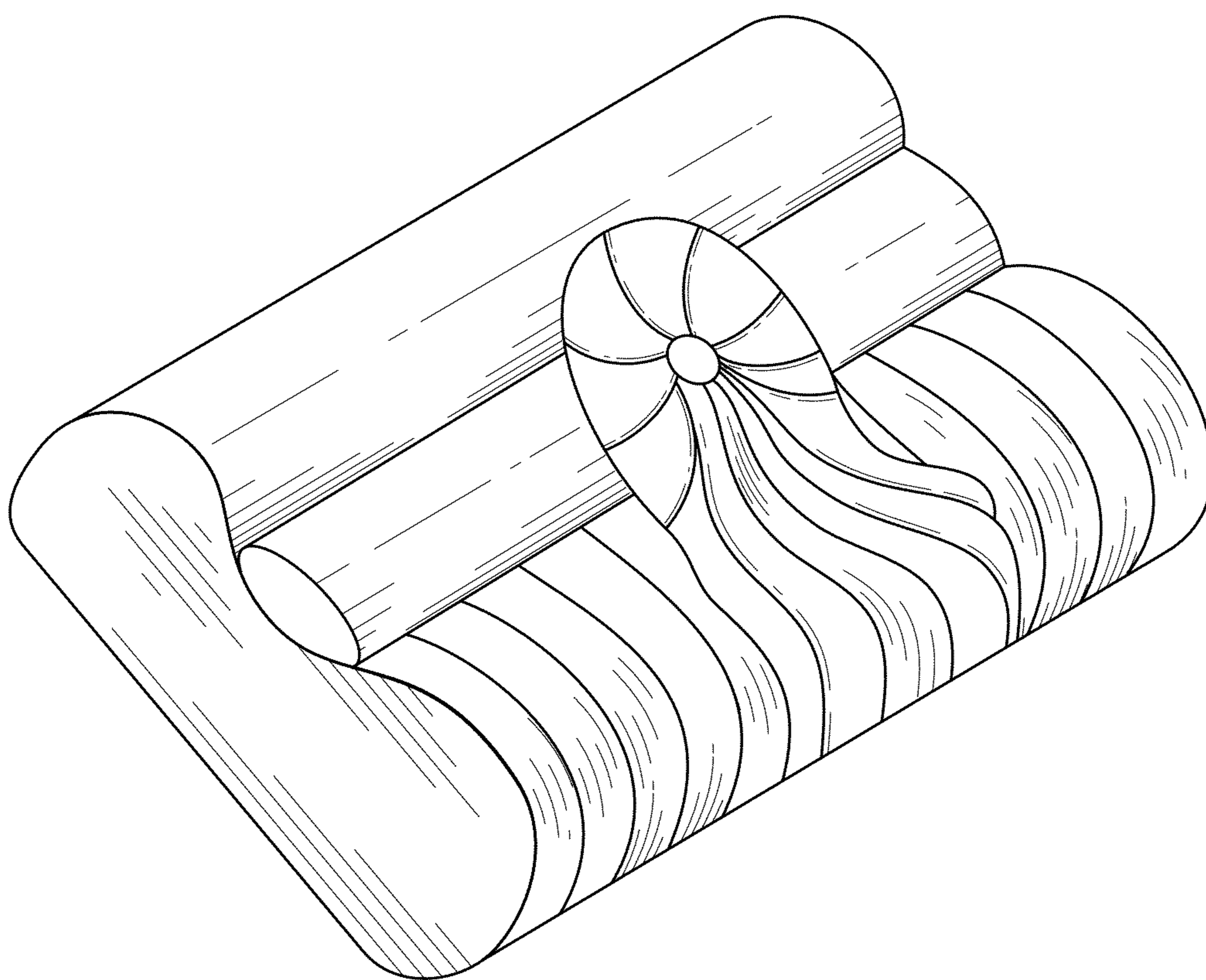


FIG. 1

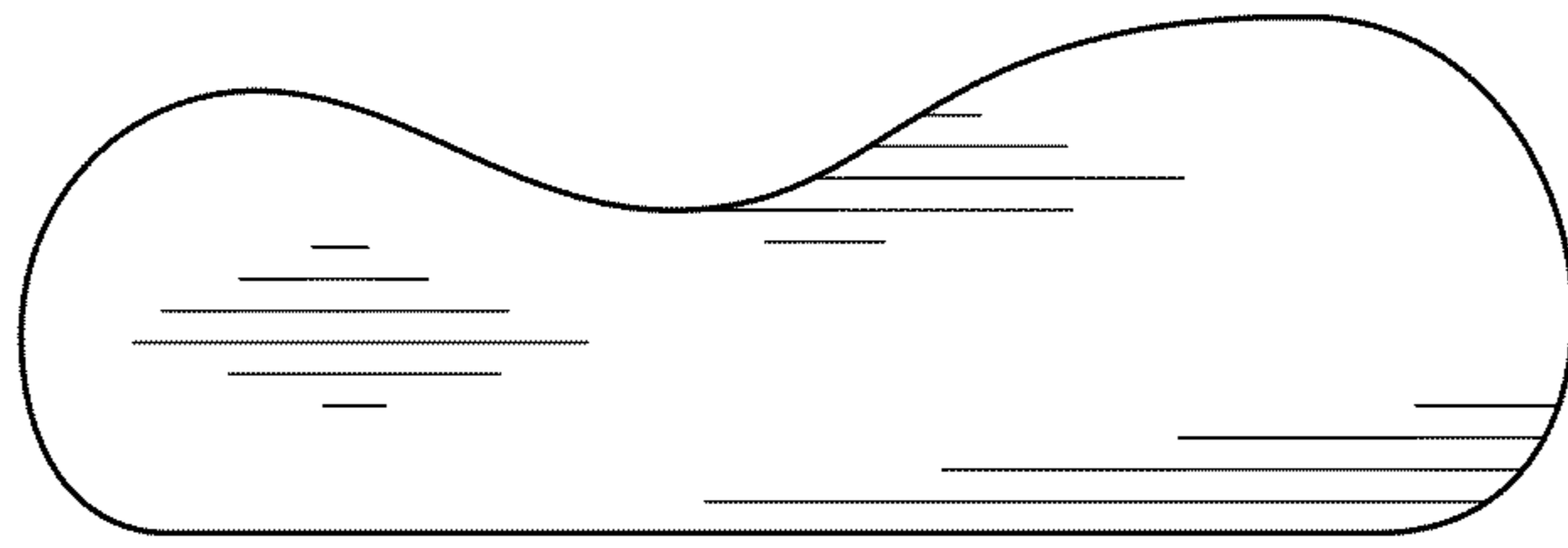


FIG. 2

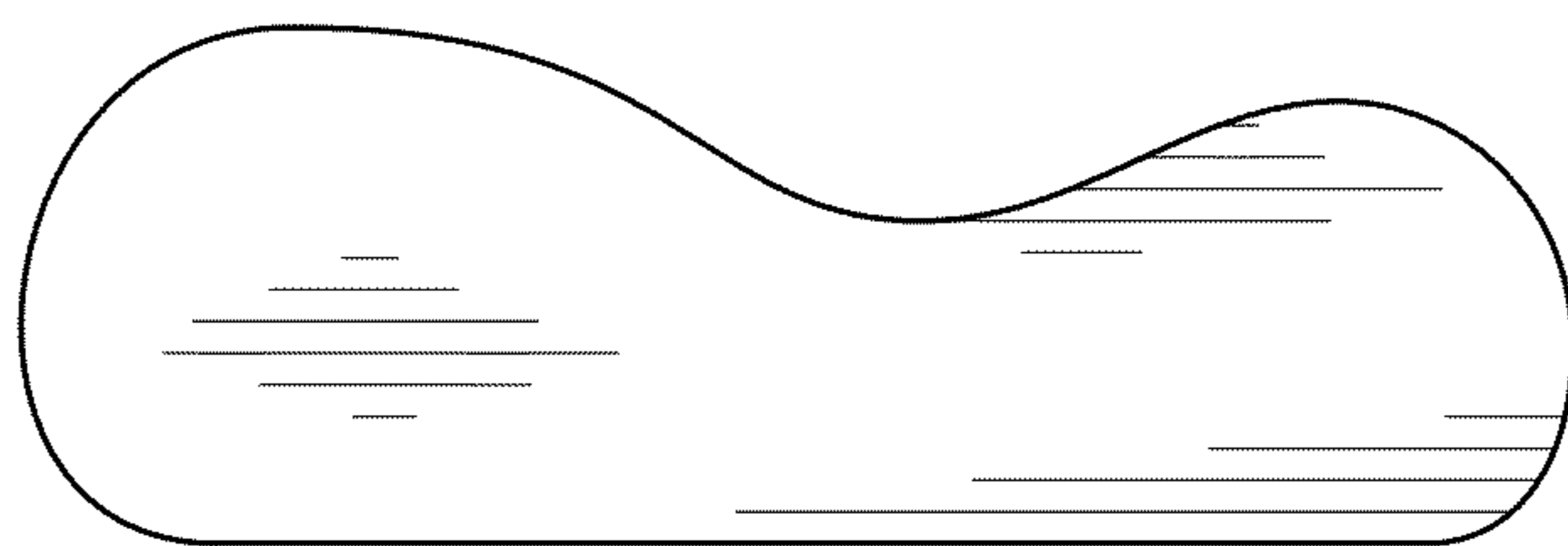


FIG. 3

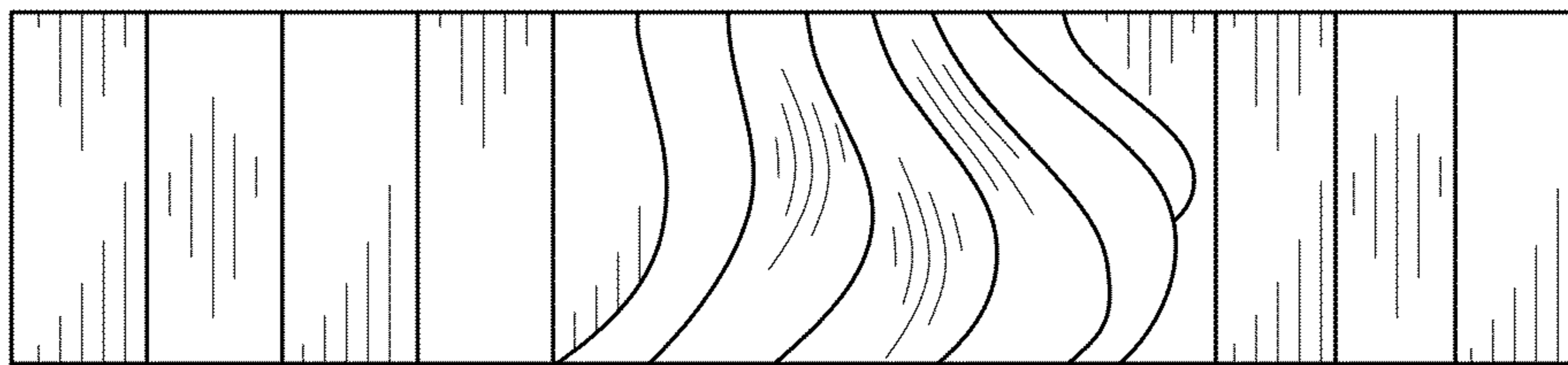


FIG. 4

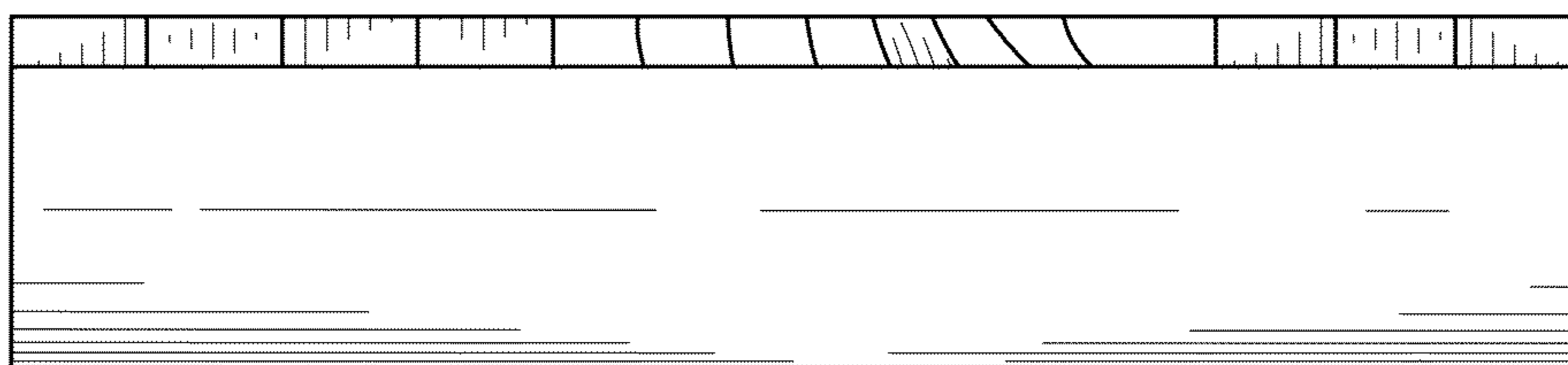


FIG. 5

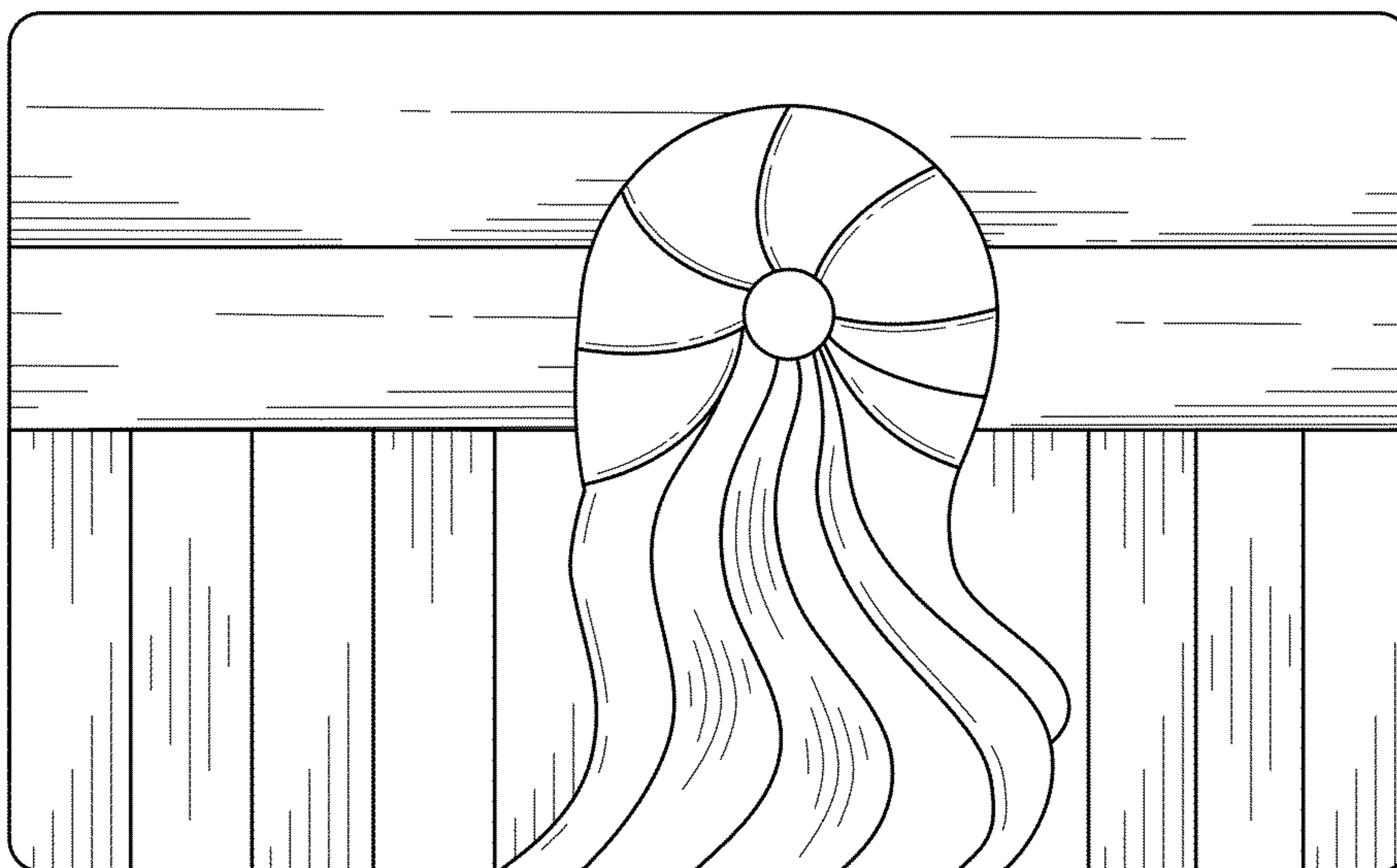


FIG. 6

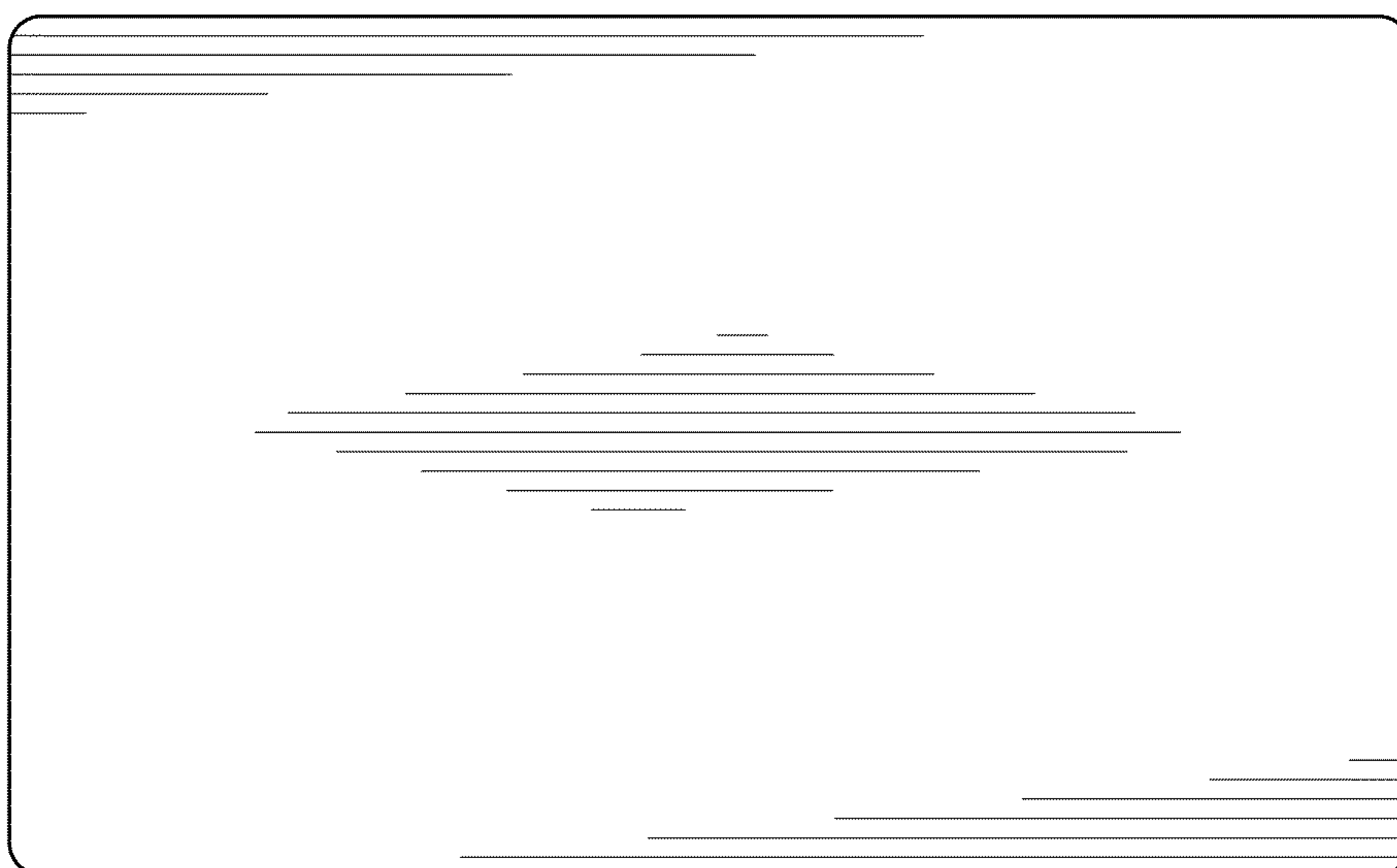


FIG. 7