



US00D716070S

(12) **United States Design Patent**
Goodman et al.

(10) **Patent No.:** **US D716,070 S**
(45) **Date of Patent:** **** Oct. 28, 2014**

(54) **PAPER TOWEL HOLDER**

(56) **References Cited**

(71) Applicant: **Spectrum Diversified Designs, Inc.**,
Streetsboro, OH (US)
(72) Inventors: **Sheldon H. Goodman**, Solon, OH (US);
Phaysouk Xayoiphonh, Akron, OH
(US)
(73) Assignee: **Spectrum Diversified Designs, Inc.**,
Streetsboro, OH (US)

U.S. PATENT DOCUMENTS

D438,737 S * 3/2001 Goodman et al. D6/522
D479,072 S * 9/2003 Duncan et al. D6/522
D563,130 S * 3/2008 Griffith D6/521

* cited by examiner

Primary Examiner — Brian N Vinson

(74) *Attorney, Agent, or Firm* — Benesch Friedlander
Coplan & Aronoff LLP

(**) Term: **14 Years**

(57) **CLAIM**

(21) Appl. No.: **29/494,882**

What is claimed is the ornamental design for a paper towel holder, as shown and described.

(22) Filed: **Jun. 25, 2014**

DESCRIPTION

(51) **LOC (10) Cl.** **20-02**

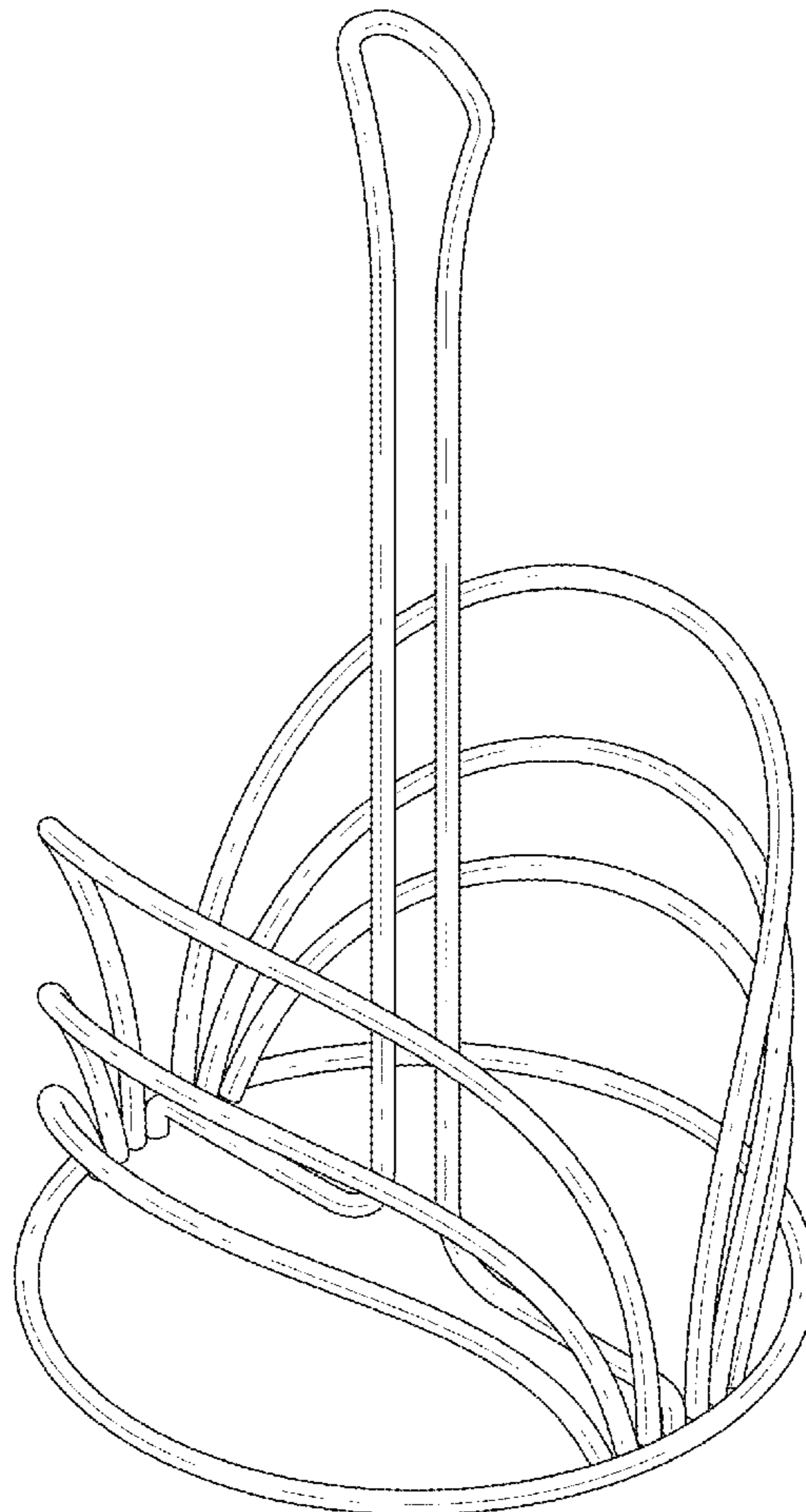
(52) **U.S. Cl.**
USPC **D6/521**

(58) **Field of Classification Search**
USPC D6/518–523; 206/389, 391; 211/13.1,
211/59.1, 45, 890.1; 242/570, 590, 597.7;
248/309.1, 309.2

FIG. 1 is a perspective view of a paper towel holder showing a new design;
FIG. 2 is a front view of the paper towel holder of FIG. 1;
FIG. 3 is a side view of the paper towel holder of FIG. 1;
FIG. 4 is a top view of the paper towel holder of FIG. 1; and,
FIG. 5 is a bottom view of the paper towel holder of FIG. 1.

See application file for complete search history.

1 Claim, 2 Drawing Sheets



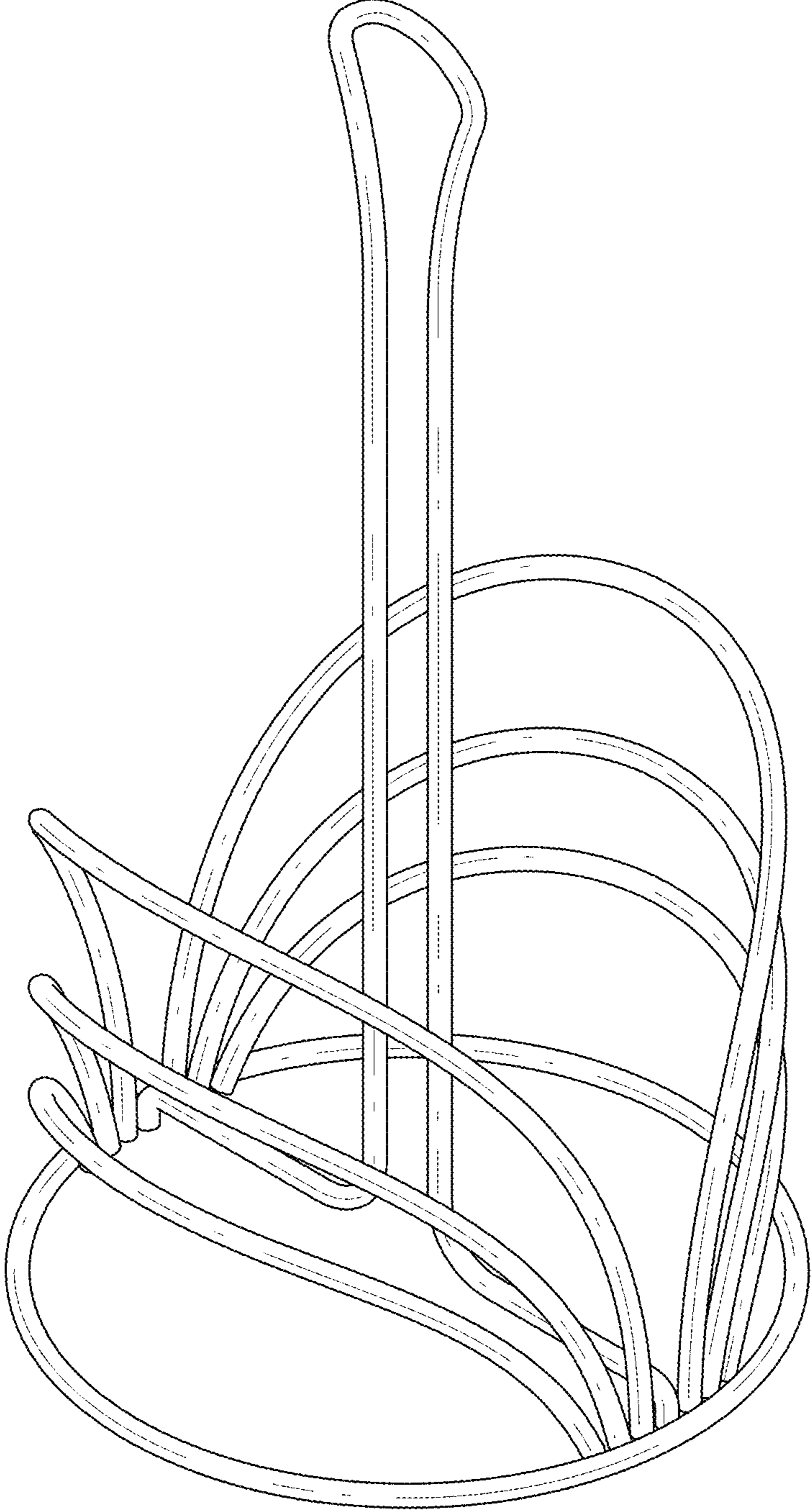


FIG. 1

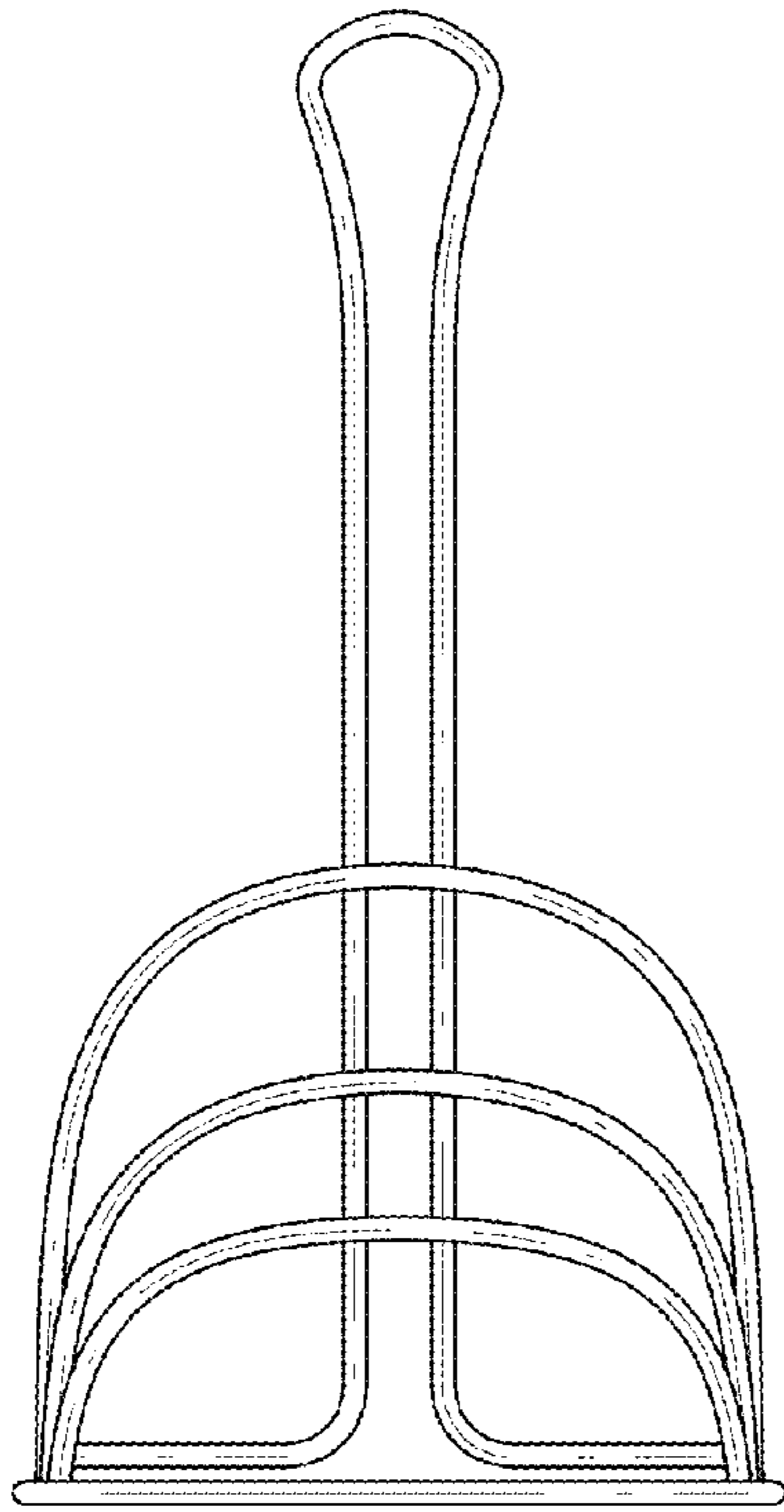


FIG. 2

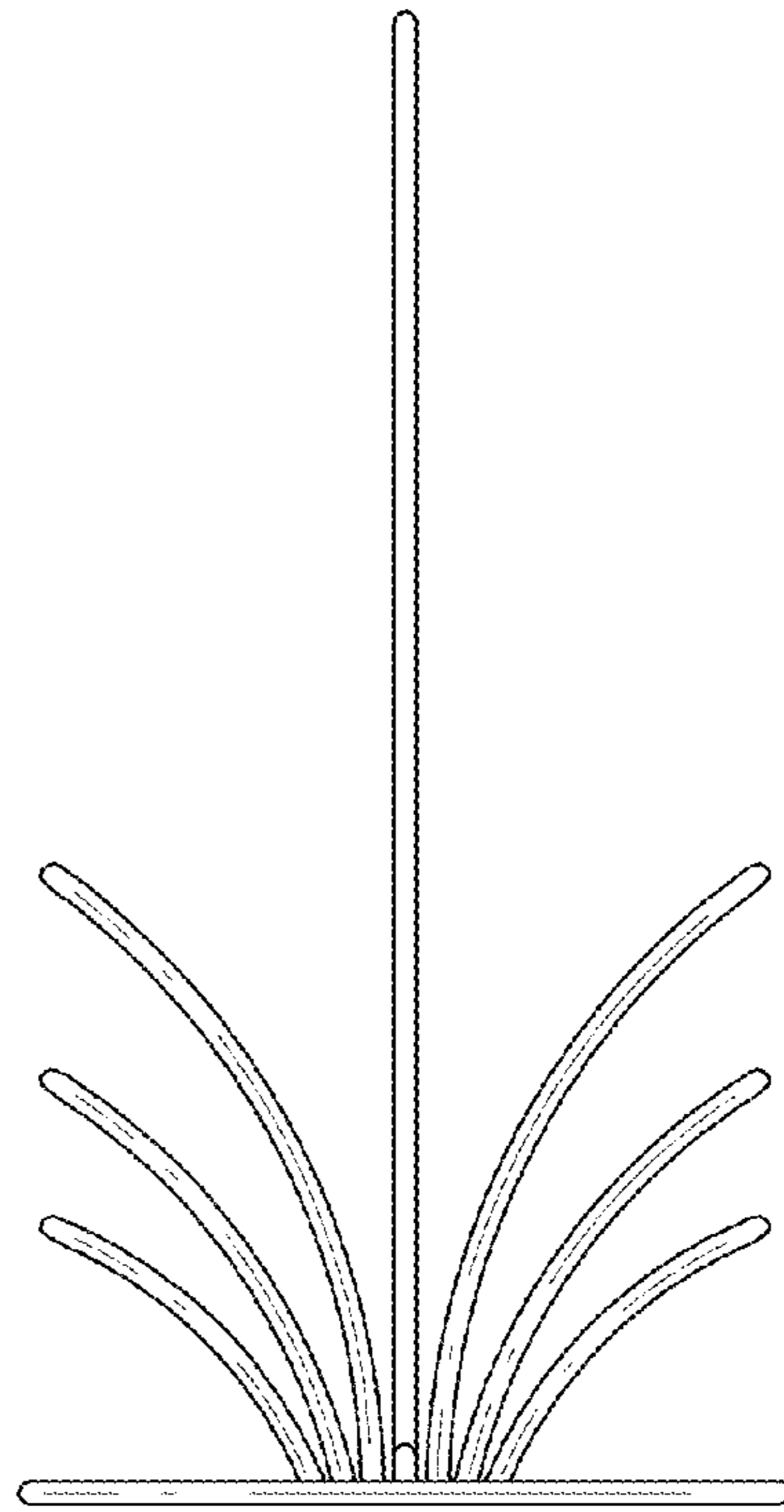


FIG. 3

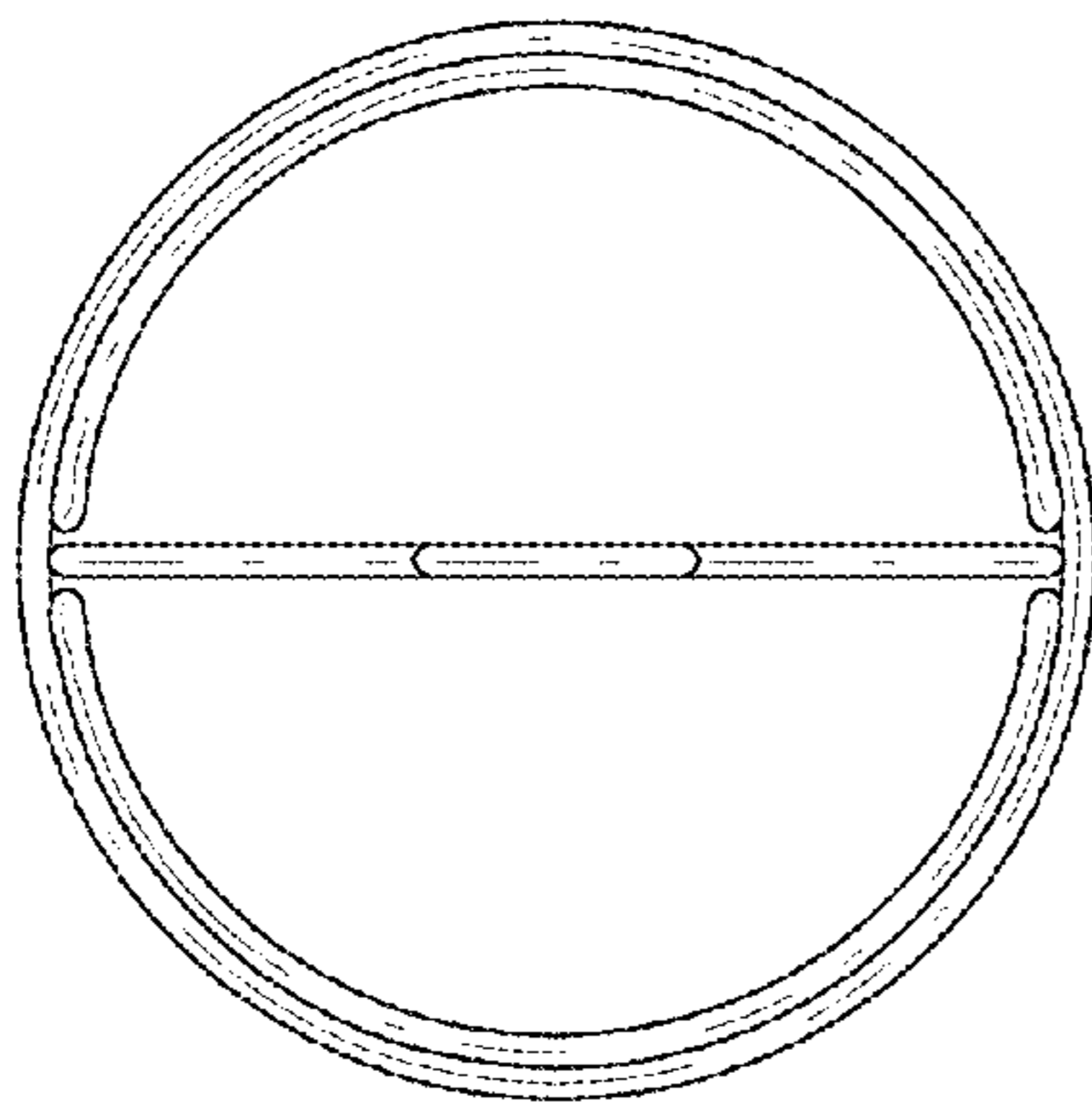


FIG. 4

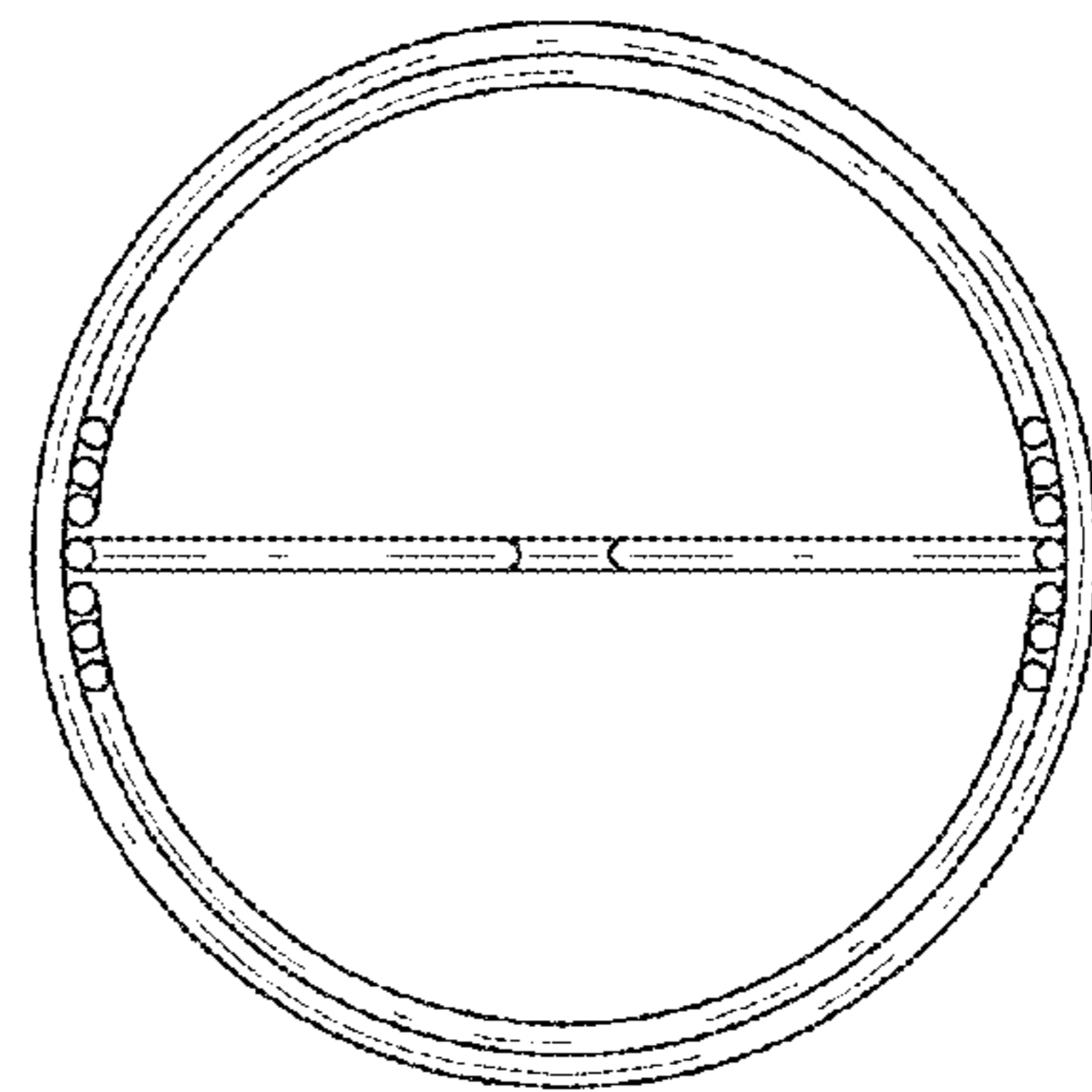


FIG. 5