



US00D716067S

(12) **United States Design Patent**
Hodges

(10) **Patent No.:** **US D716,067 S**

(45) **Date of Patent:** **** Oct. 28, 2014**

(54) **PILOT SEAT**

(71) Applicant: **Frank J. Hodges**, Corona, CA (US)

(72) Inventor: **Frank J. Hodges**, Corona, CA (US)

(**) Term: **14 Years**

(21) Appl. No.: **29/447,459**

(22) Filed: **Mar. 4, 2013**

(51) **LOC (10) Cl.** **06-01**

(52) **U.S. Cl.**
USPC **D6/356**

(58) **Field of Classification Search**
USPC D6/334-336, 356-357, 360-361,
D6/367-368, 381, 643, 716, 716.1-716.5;
D12/195, 345; 244/118.5-118.6, 122 R,
244/141; 248/280.11; 297/118, 163, 173,
297/188.08, 232-233, 244-245, 248, 342,
297/354.1, 354.11, 354.13, 361.1

See application file for complete search history.

(56) **References Cited**

U.S. PATENT DOCUMENTS

D273,157 S * 3/1984 Staub D6/356
5,195,709 A * 3/1993 Yasushi 248/280.11
D405,275 S * 2/1999 Dryburgh et al. D6/356

6,742,842 B2 * 6/2004 Dowty 297/354.13
D493,294 S * 7/2004 Newson D6/356
D495,171 S * 8/2004 Wesley D6/501
D505,796 S * 6/2005 Johnson D6/356
D510,825 S * 10/2005 Kalinowski et al. D6/502
D592,412 S * 5/2009 Suge et al. D6/356
D598,665 S * 8/2009 Cloet et al. D6/356
D598,666 S * 8/2009 Cloet et al. D6/356
D665,182 S * 8/2012 Hilton et al. D6/360
2004/0004382 A1 * 1/2004 Dowty 297/354.1

* cited by examiner

Primary Examiner — Ricky Pham

(74) *Attorney, Agent, or Firm* — Eric B. Alspaugh, APC

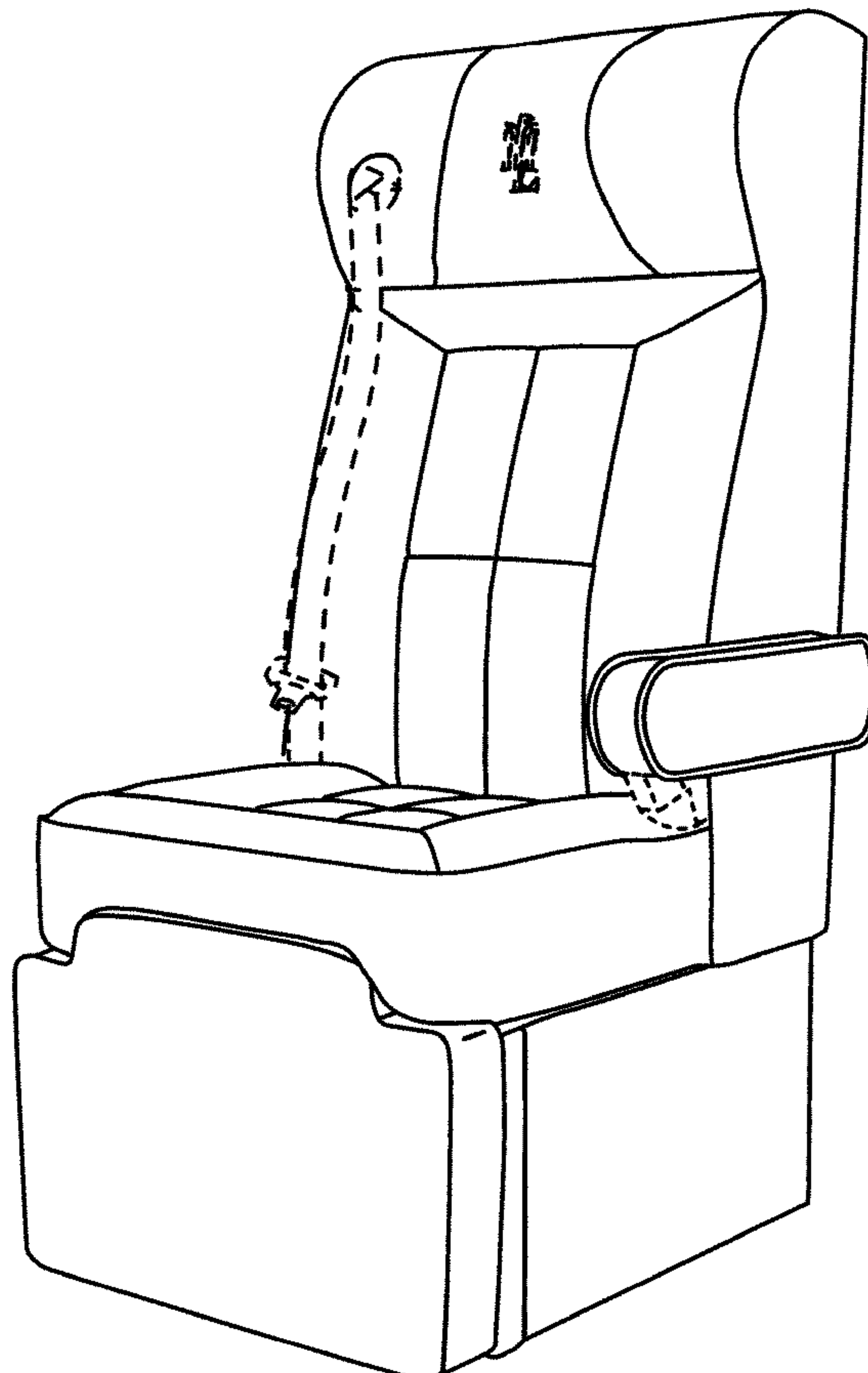
(57) **CLAIM**

The ornamental design for a pilot seat, as shown and described.

DESCRIPTION

FIG. 1 is a front view of a pilot seat showing my new design;
FIG. 2 is a left side view thereof;
FIG. 3 is a right side view thereof;
FIG. 4 is a top plan view thereof; and,
FIG. 5 is an oblique view thereof.
The broken lines shown in the drawings are for illustrative purposes only and form no part of the claimed design.

1 Claim, 5 Drawing Sheets



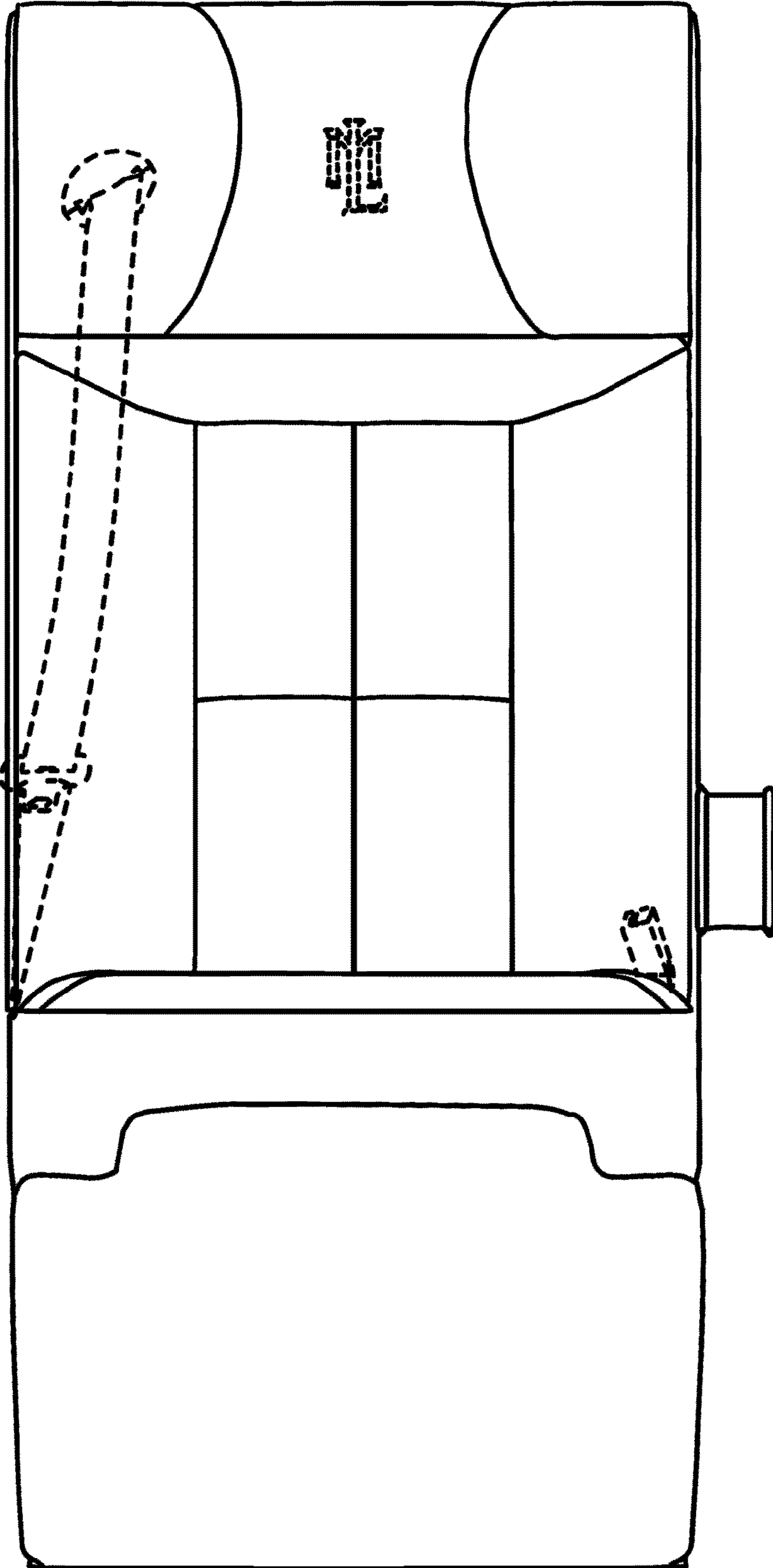


FIG. 1

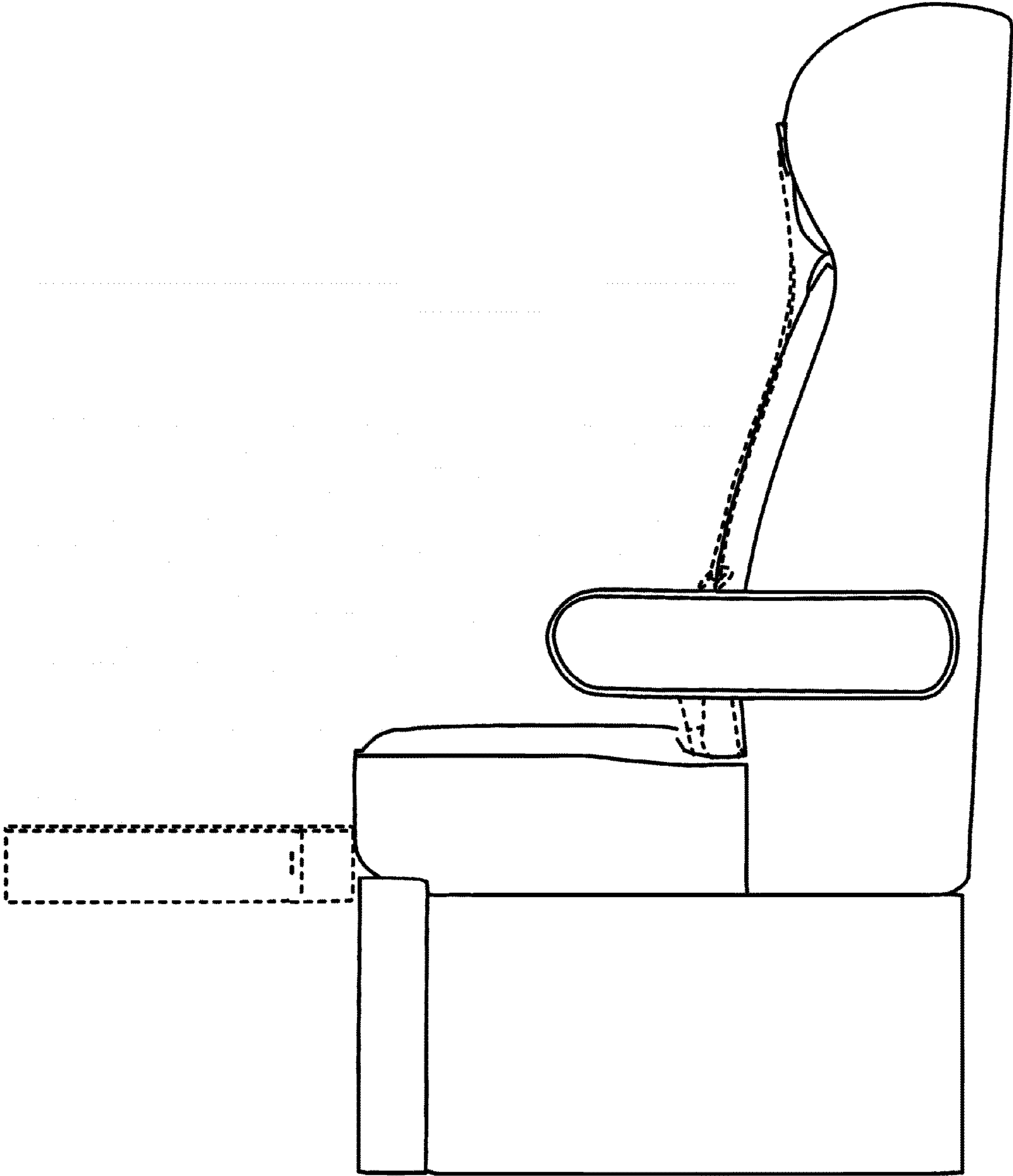


FIG. 2

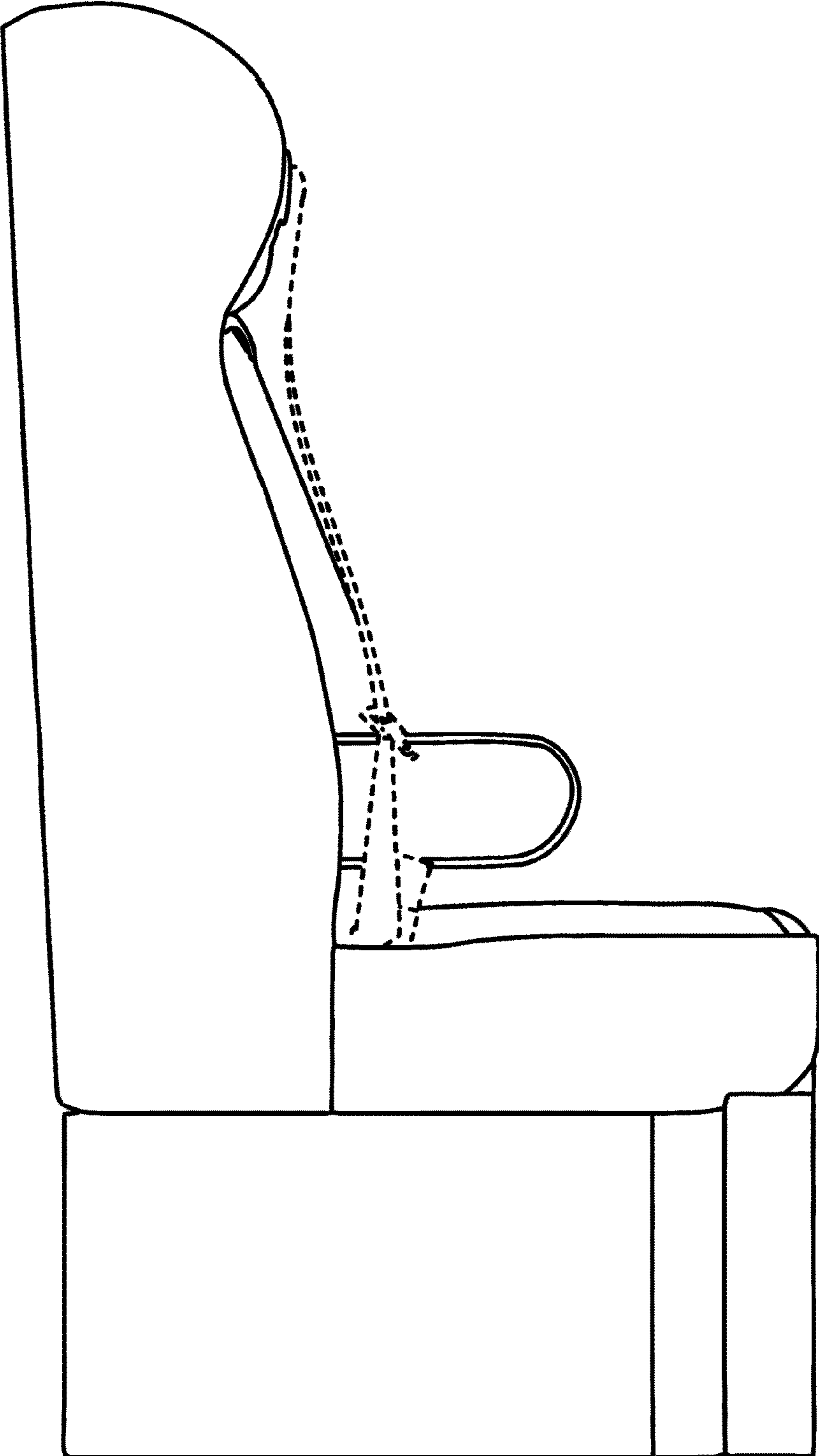


Fig. 3

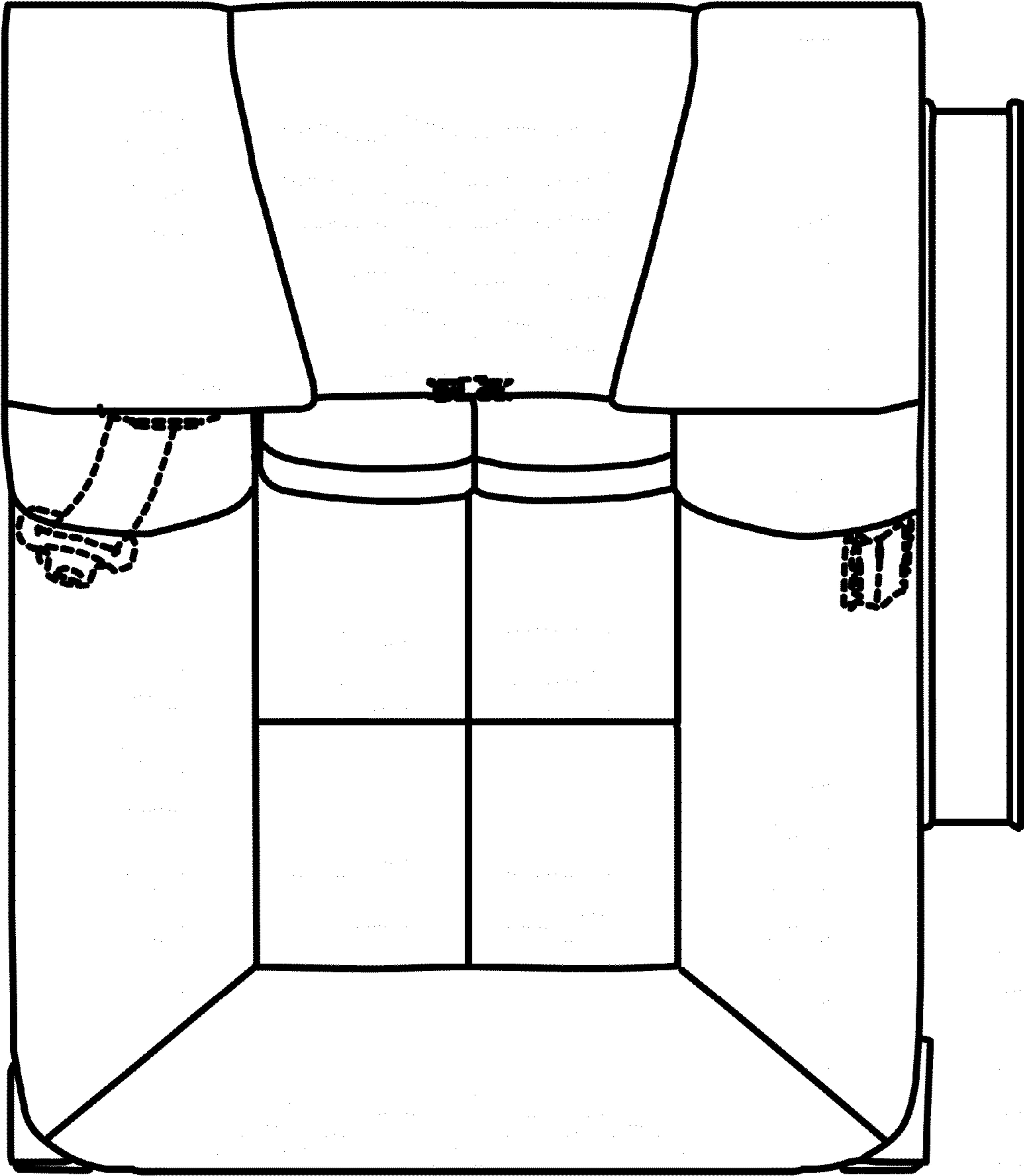


Fig. 4

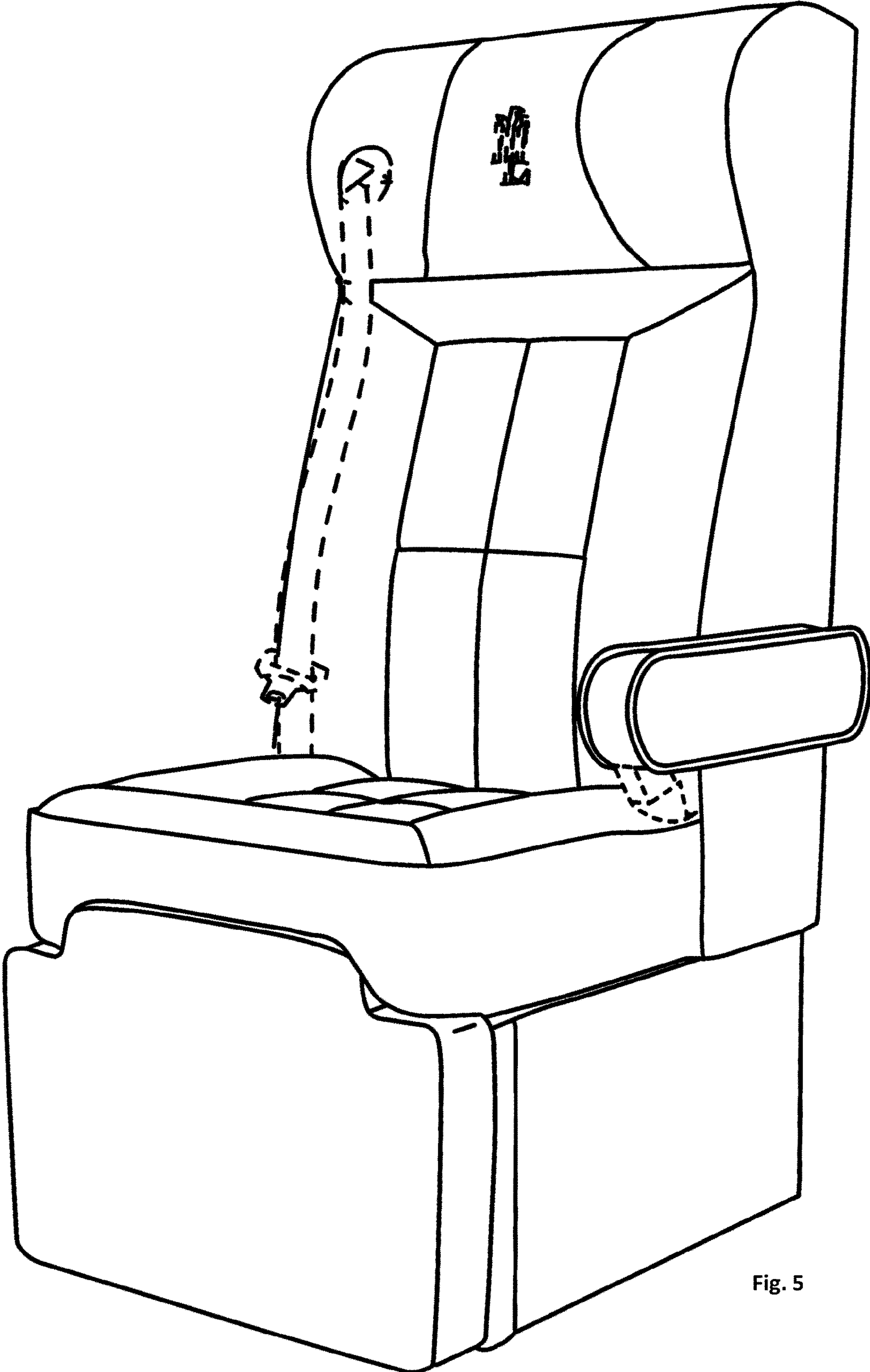


Fig. 5