



US00D716066S

(12) **United States Design Patent**
Henschel

(10) **Patent No.:** **US D716,066 S**
(45) **Date of Patent:** **** Oct. 28, 2014**

(54) **FOLDABLE BALANCE STOOL**

(71) Applicant: **Tower Stool, LLC**, Faith, SD (US)

(72) Inventor: **Reed E. Henschel**, Faith, SD (US)

(73) Assignee: **Tower Stool, LLC**, Faith, SD (US)

(**) Term: **14 Years**

(21) Appl. No.: **29/476,498**

(22) Filed: **Dec. 13, 2013**

(51) **LOC (10) Cl.** **06-01**

(52) **U.S. Cl.**

USPC **D6/353**; D6/364

(58) **Field of Classification Search**

CPC A47C 1/14; A47C 3/16-3/20; A47C 4/00;
A47C 4/28; A47C 5/02; A47C 7/02; A47C
9/00; A47C 9/02; A47C 9/002; A47C 9/007;
A47C 9/025; A47C 11/00; A47C 12/00;
A47C 13/00; A47C 16/02

USPC D6/335, 340, 344, 347, 349-355, 358,
D6/360, 363-373, 381, 685, 687, 688, 690,
D6/691-691.6, 692, 692.4, 694, 703.15,
D6/708.21, 708.22, 709.22, 716-716.7,
D6/717

See application file for complete search history.

(56) **References Cited**

U.S. PATENT DOCUMENTS

409,677 A 8/1889 Forman
D25,848 S * 7/1896 Yearicks D6/349
600,912 A 3/1898 Good
619,093 A 2/1899 Shadinger
703,690 A 7/1902 Young

(Continued)

FOREIGN PATENT DOCUMENTS

GB 397954 9/1933
GB 597003 1/1948

OTHER PUBLICATIONS

Webpage entitled "Tower Folding Stools & Benches," accessed at
<http://www.towerstool.com/foldingstools.html>, printed Jul. 23,
2012, 2 pages.

(Continued)

Primary Examiner — Susan Bennett Hattan

Assistant Examiner — Vy Koenig

(74) *Attorney, Agent, or Firm* — James L. Young; Westman,
Champlin & Koehler, P.A.

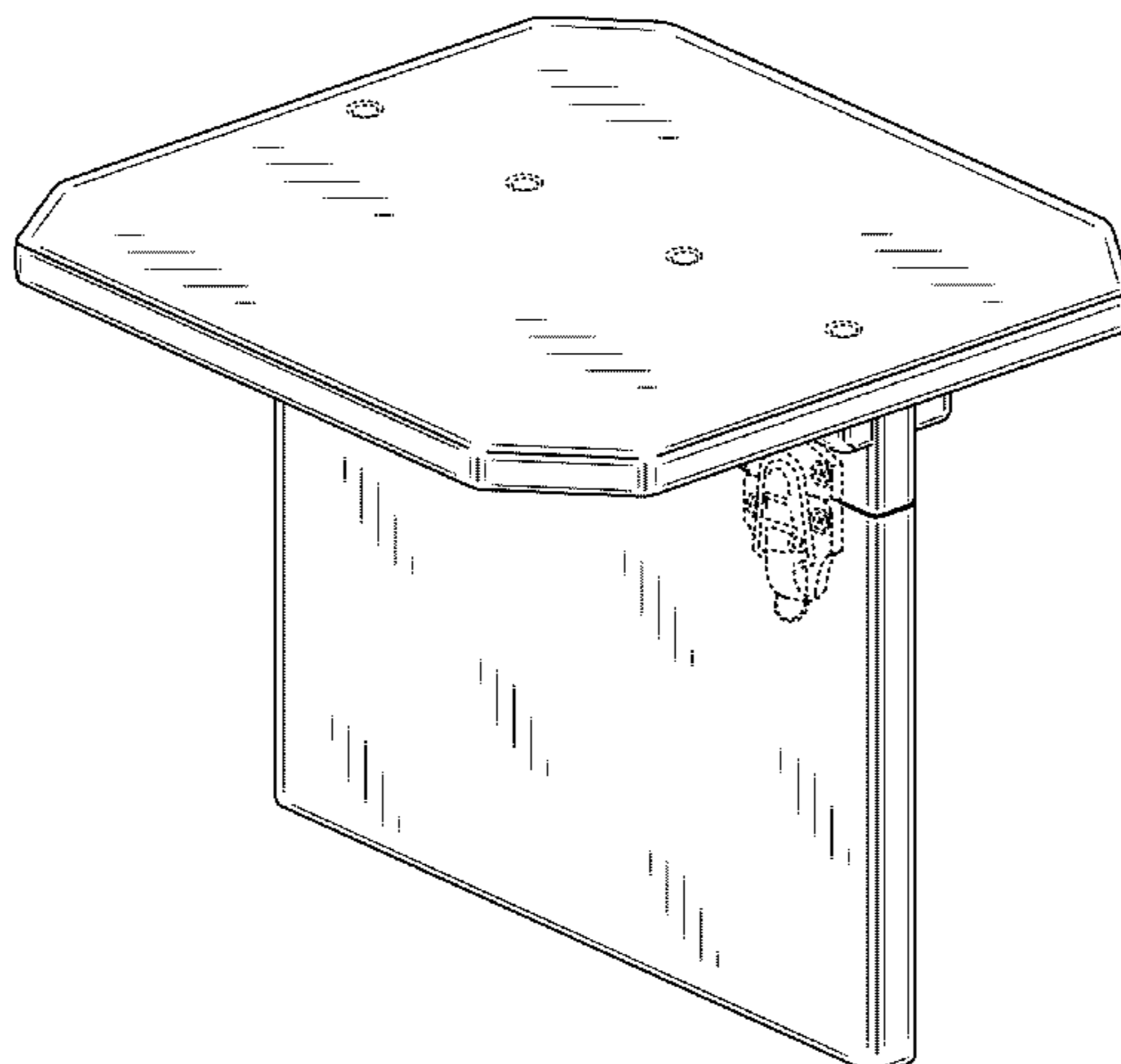
(57) **CLAIM**

The ornamental design for a foldable balance stool, as shown
and described. **DESCRIPTION**

FIG. 1 is a perspective view of the stool in an open position;
FIG. 2 is a front view of the stool in an open position;
FIG. 3 is a back view of the stool in an open position;
FIG. 4 is a left side view of the stool in an open position; as
taken from the left side of FIG. 1;
FIG. 5 is a right side view of the stool in an open position, as
taken from the right side of FIG. 1;
FIG. 6 is a top view of the stool in an open position;
FIG. 7 is a bottom view of the stool in an open position;
FIG. 8 is a perspective view of the stool in a folded or col-
lapsed position;
FIG. 9 is a front view of the stool in a folded or collapsed
position;
FIG. 10 is a back view of the stool in a folded or collapsed
position;
FIG. 11 is a left side view of the stool in a folded or collapsed
position, as taken from the left side of FIG. 8;
FIG. 12 is a right side view of the stool in a folded or collapsed
position; as taken from the right side of FIG. 8;
FIG. 13 is a top view of the stool in a folded or collapsed
position; and,
FIG. 14 is a bottom view of the stool in a folded or collapsed
position.

The dashed lines shown in the drawings depict environmental
features that form no part of the claimed design.

1 Claim, 14 Drawing Sheets



(56)

References Cited

U.S. PATENT DOCUMENTS

735,906 A 8/1903 Prasky
 897,108 A 8/1908 Kendall
 900,552 A 10/1908 Kade
 1,016,523 A 2/1912 Rinner
 1,673,769 A 6/1928 Graham
 D84,467 S 6/1931 Ehrhart
 1,822,585 A 9/1931 Douglas et al.
 1,970,196 A 8/1934 Rodemeyer
 1,972,483 A 9/1934 Hartson
 D98,864 S 3/1936 Janssen
 2,232,346 A 2/1941 Sikes
 D134,727 S 1/1943 Weber
 D154,271 S * 6/1949 Heim D6/509
 D156,324 S 12/1949 Dastugue
 2,525,838 A 10/1950 Smith et al.
 D170,311 S 9/1953 Dohery
 D182,252 S * 3/1958 Rost D6/368
 2,868,407 A 1/1959 Woodcock
 3,077,282 A 2/1963 Eggers
 3,120,076 A 2/1964 Zuch
 D200,783 S 4/1965 Carr
 3,188,158 A 6/1965 Sanchez
 3,592,143 A 7/1971 Krone
 3,673,636 A 7/1972 Ruiz
 D224,994 S 10/1972 Sokolowski
 3,746,203 A 7/1973 Cipolla
 D242,102 S 11/1976 Stirling
 4,043,277 A 8/1977 Wallace
 D248,697 S * 8/1978 Miller D6/349
 4,122,638 A 10/1978 O'Brian et al.
 4,253,268 A 3/1981 Mayr
 D265,026 S 6/1982 Macho et al.
 4,383,488 A 5/1983 Macho et al.
 4,437,413 A 3/1984 O'Brian
 4,437,714 A 3/1984 Struck
 4,630,861 A 12/1986 Henschel
 4,807,329 A 2/1989 Mossalgue
 4,813,742 A 3/1989 Cardinael
 D309,989 S * 8/1990 Gotts D6/364
 D339,003 S * 9/1993 Mele D6/364
 D341,259 S * 11/1993 Mele D6/364
 5,323,921 A 6/1994 Olsson
 D350,651 S * 9/1994 Emery D6/364

5,361,456 A 11/1994 Newby, Sr.
 D367,563 S 3/1996 Murken
 5,697,669 A 12/1997 Yemini
 D396,576 S 8/1998 Moore
 D403,186 S 12/1998 Kopish
 5,845,366 A 12/1998 Kuroda
 5,940,934 A 8/1999 Turner
 6,267,111 B1 7/2001 Burton
 D460,566 S 7/2002 Henschel et al.
 D467,100 S 12/2002 Hand
 D469,847 S 2/2003 Schroeder
 D493,051 S 7/2004 Restemayer
 6,938,789 B1 9/2005 Matias et al.
 D530,930 S * 10/2006 Foy D6/349
 D531,429 S 11/2006 Henschel
 D548,494 S 8/2007 Mercs
 D553,372 S 10/2007 Henschel
 D558,472 S * 1/2008 Linton et al. D6/349
 D606,336 S 12/2009 Henschel
 D613,082 S * 4/2010 Peel D6/349
 D613,525 S 4/2010 Henschel
 D675,461 S 2/2013 Henschel
 2010/0300334 A1 12/2010 Tcholakov

OTHER PUBLICATIONS

Webpage entitled "Folding Portable Sales Counter," accessed at <http://www.towerstool.com/salescounter.html>, printed Jul. 23, 2012, 1 page.
 Webpage entitled "Folding Utility Table," accessed at <http://www.towerstool.com/utilitytable.html>, printed Jul. 23, 2012, 1 page.
 Webpage entitled "Folding RV Step (title did not print)," accessed at <http://www.towerstool.com/rvstepstool.html>, printed Jul. 23, 2012, 1 page.
 Webpage entitled "Lecterns (title did not print)," accessed at <http://www.towerstool.com/lecterns.html>, printed Jul. 23, 2012, 2 pages.
 Webpage entitled "Pedestals," accessed at <http://www.towerstool.com/pedestal.html>, printed Jul. 23, 2012, 3 pages.
 Webpage entitled "This Package Includes . . .," accessed at <http://www.towerstool.com/truktable.html>, printed Jul. 23, 2012, 1 page.
 Webpage entitled "Plastic Folding Stools," accessed at <http://www.towerstool.com/plasticstools.html>, printed Jul. 23, 2012, 1 page.

* cited by examiner

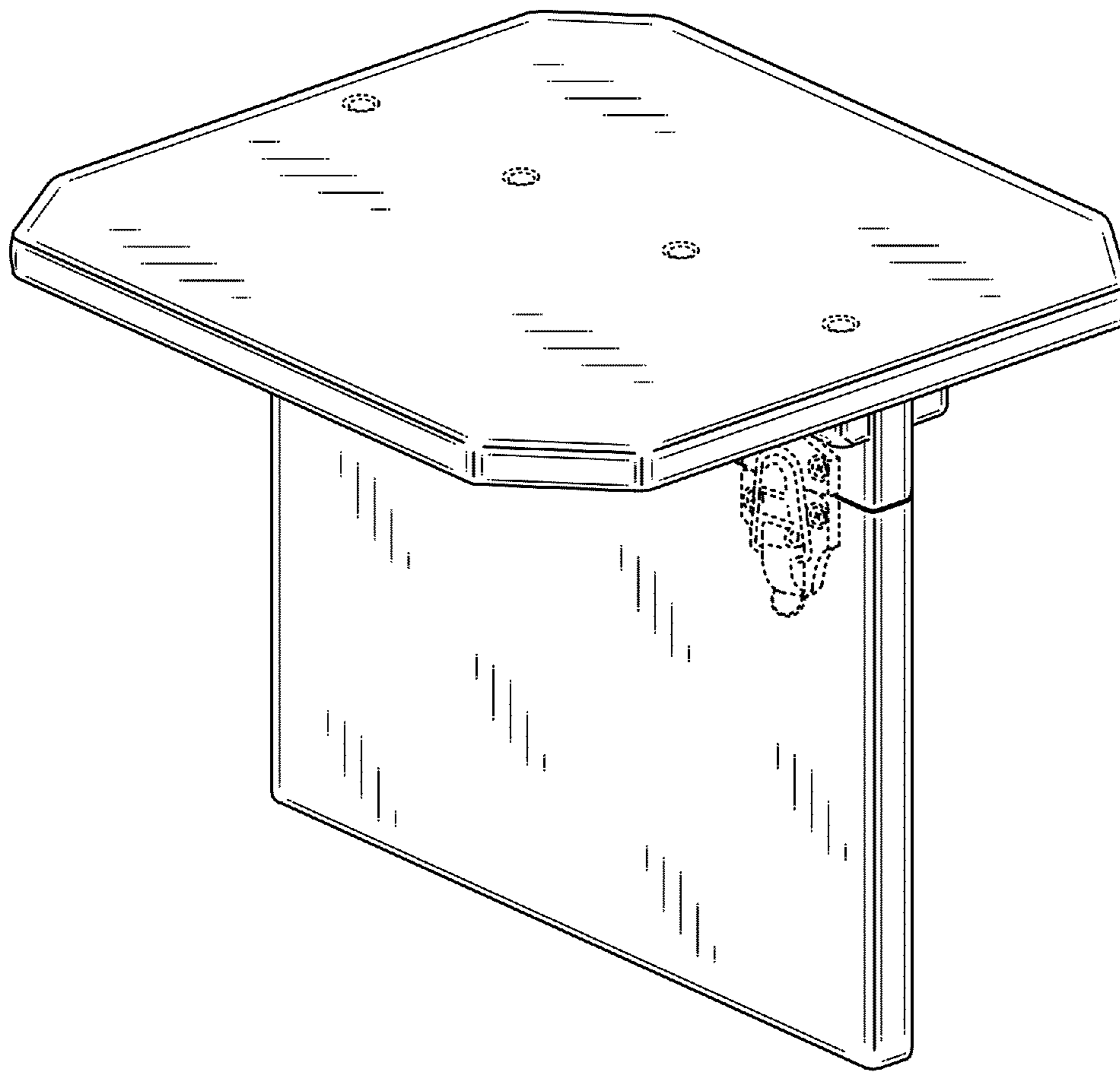


FIG. 1

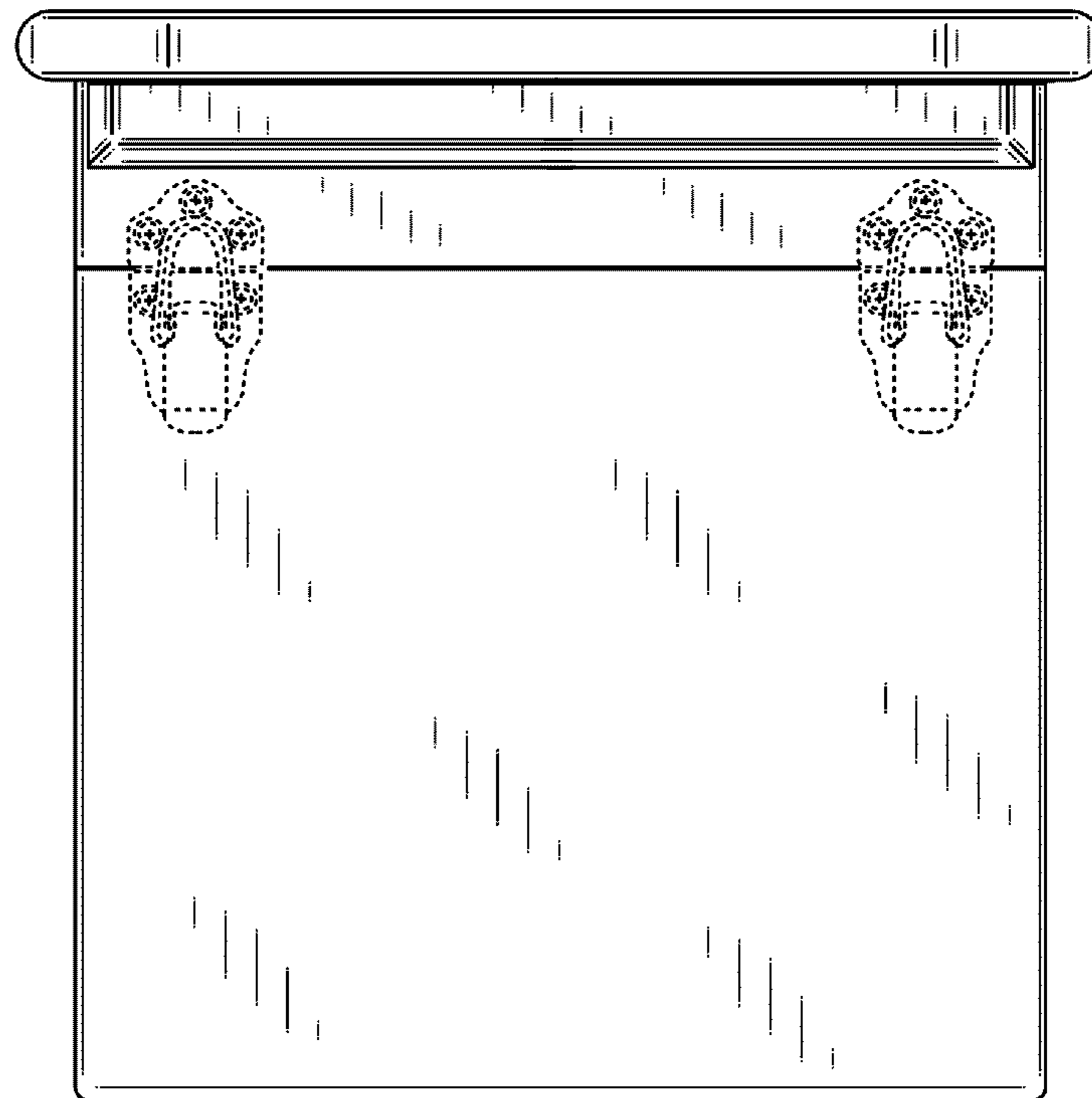


FIG. 2

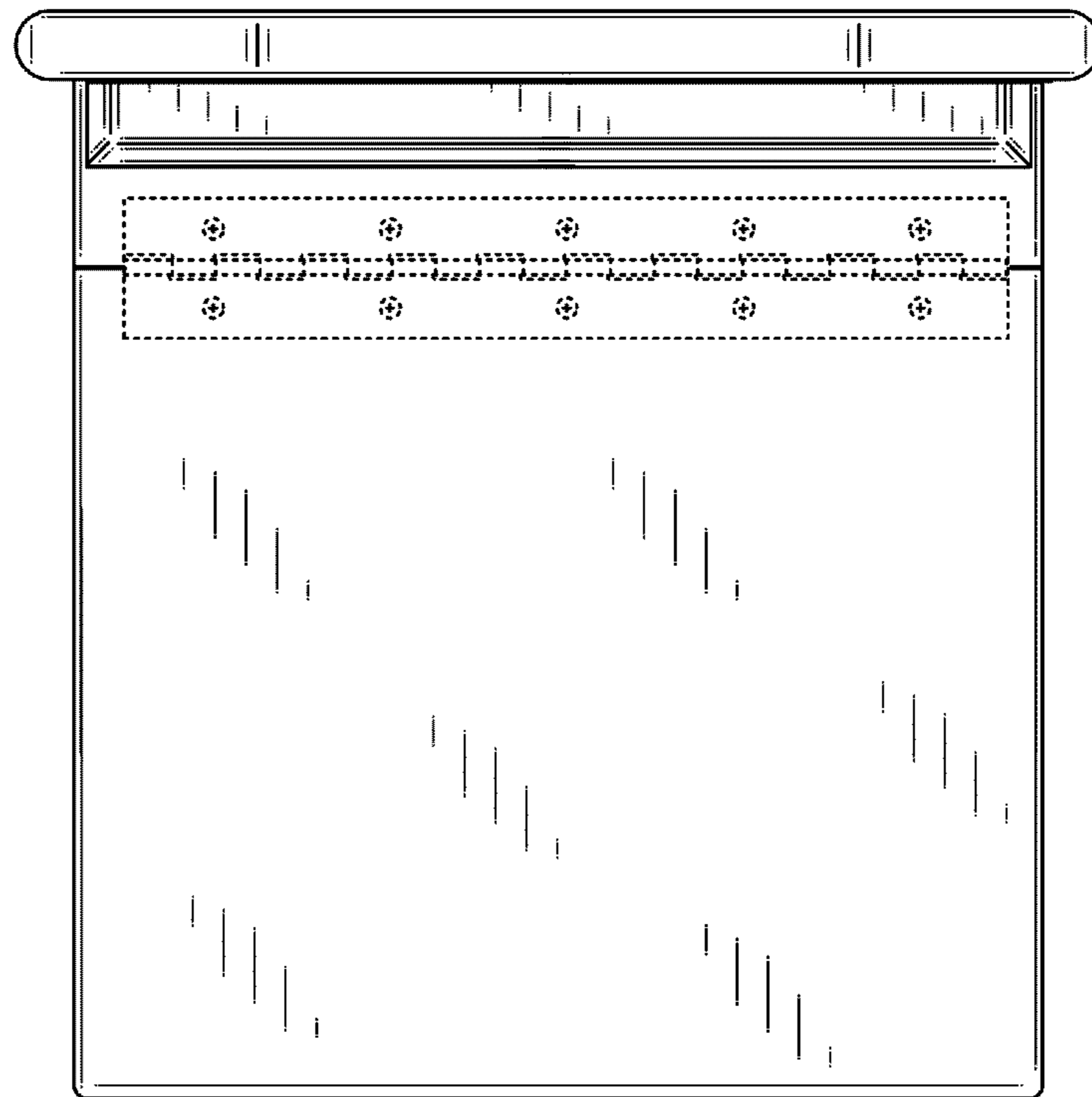


FIG. 3

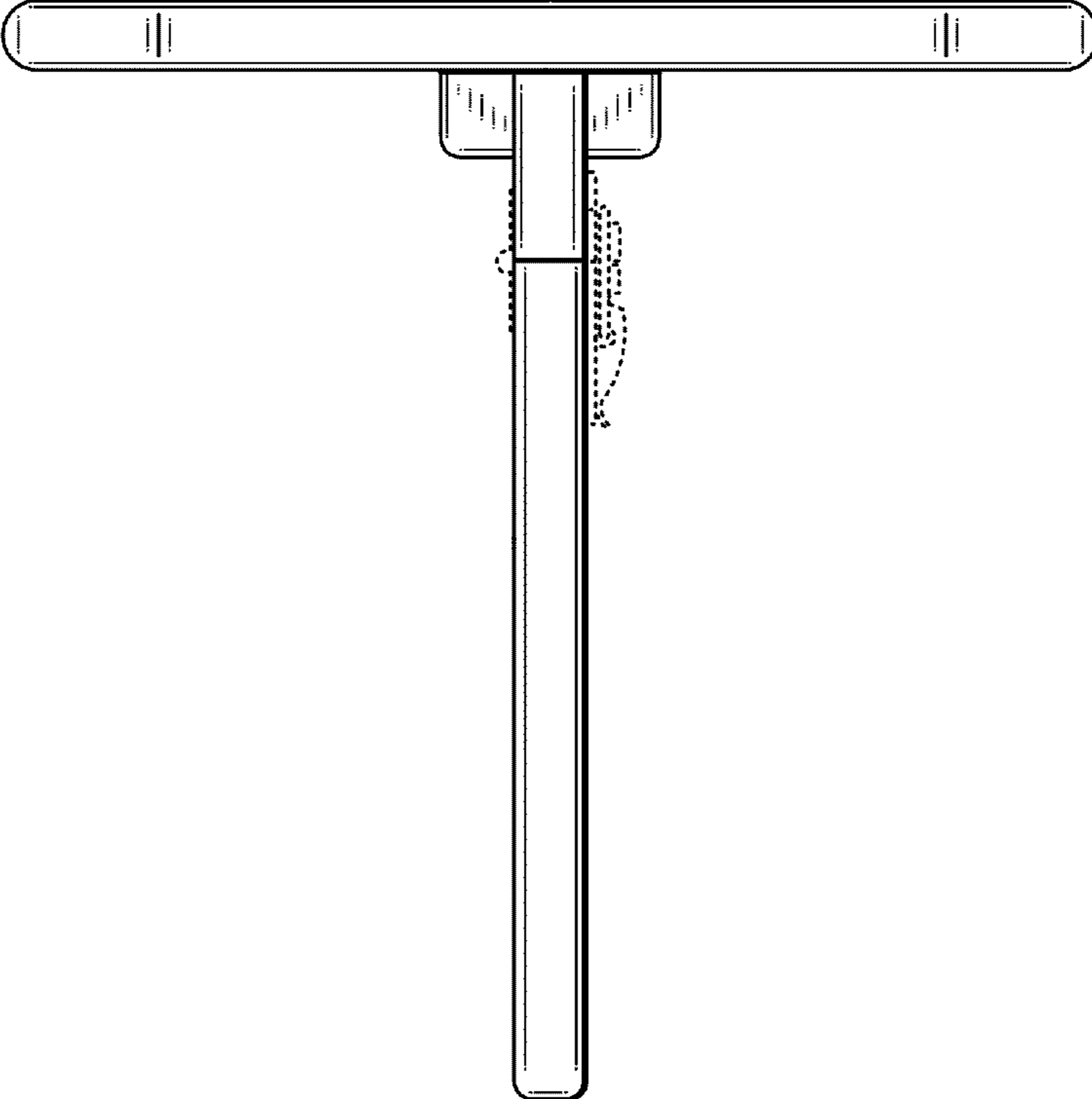


FIG. 4

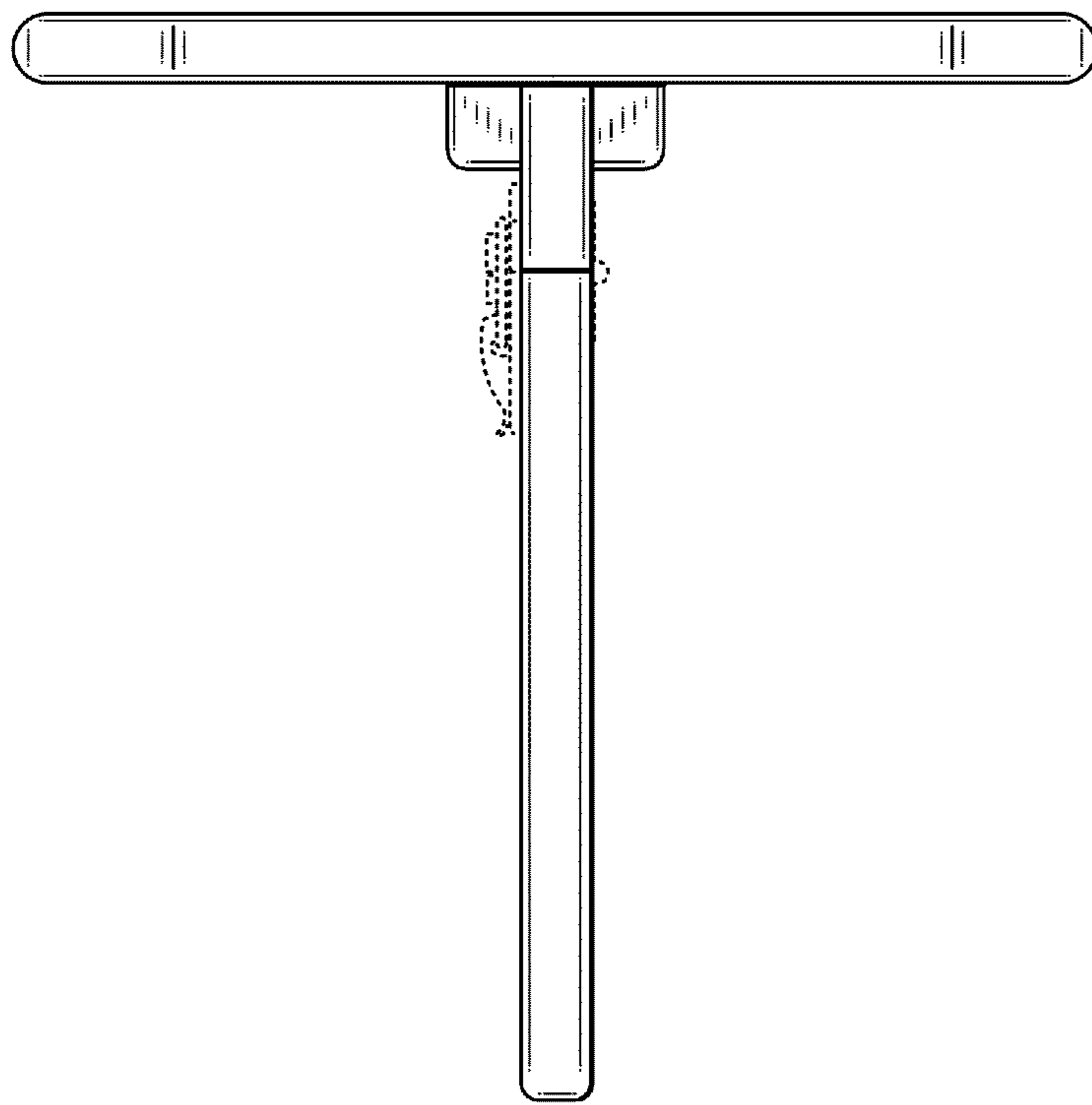


FIG. 5

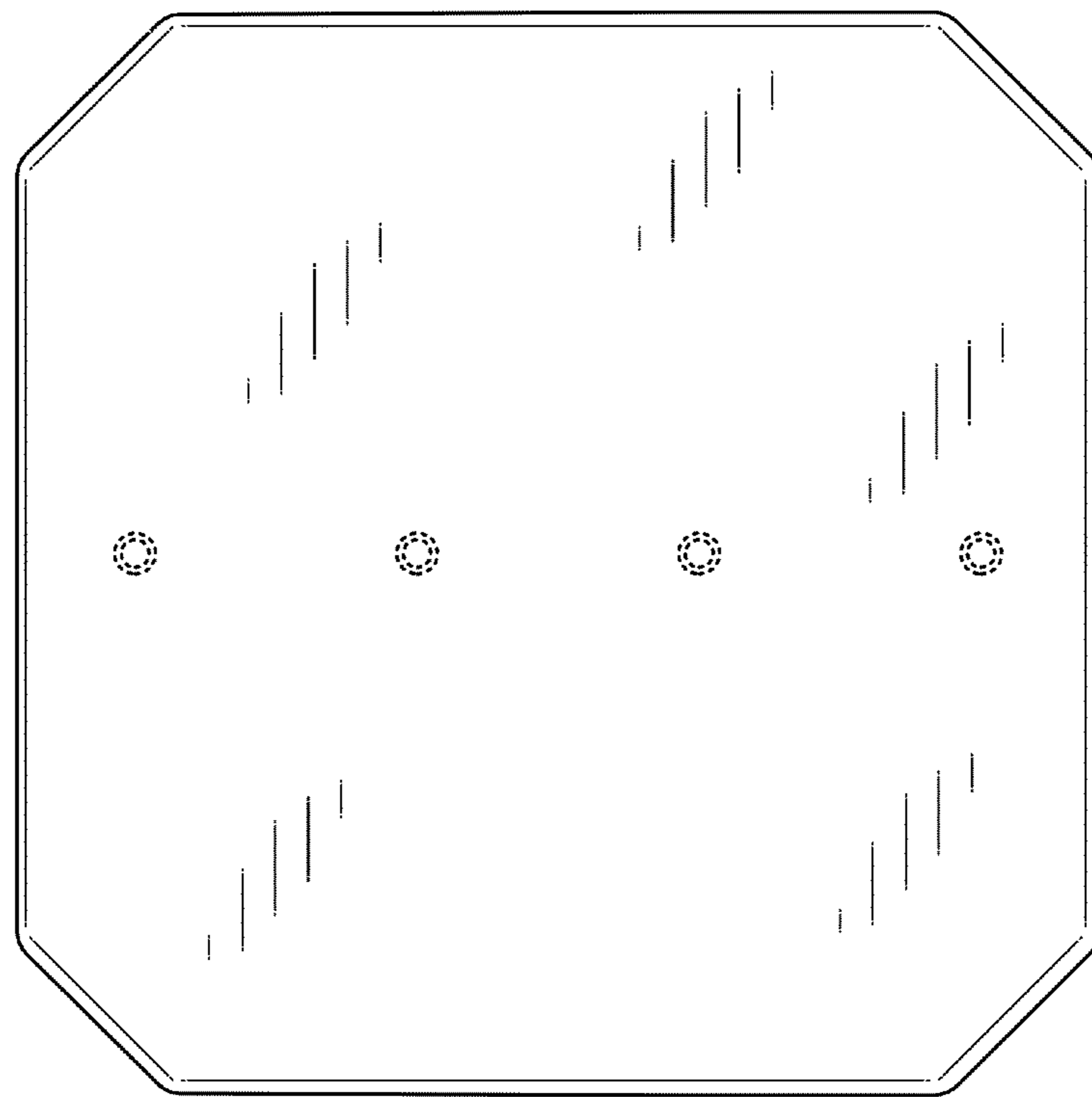


FIG. 6

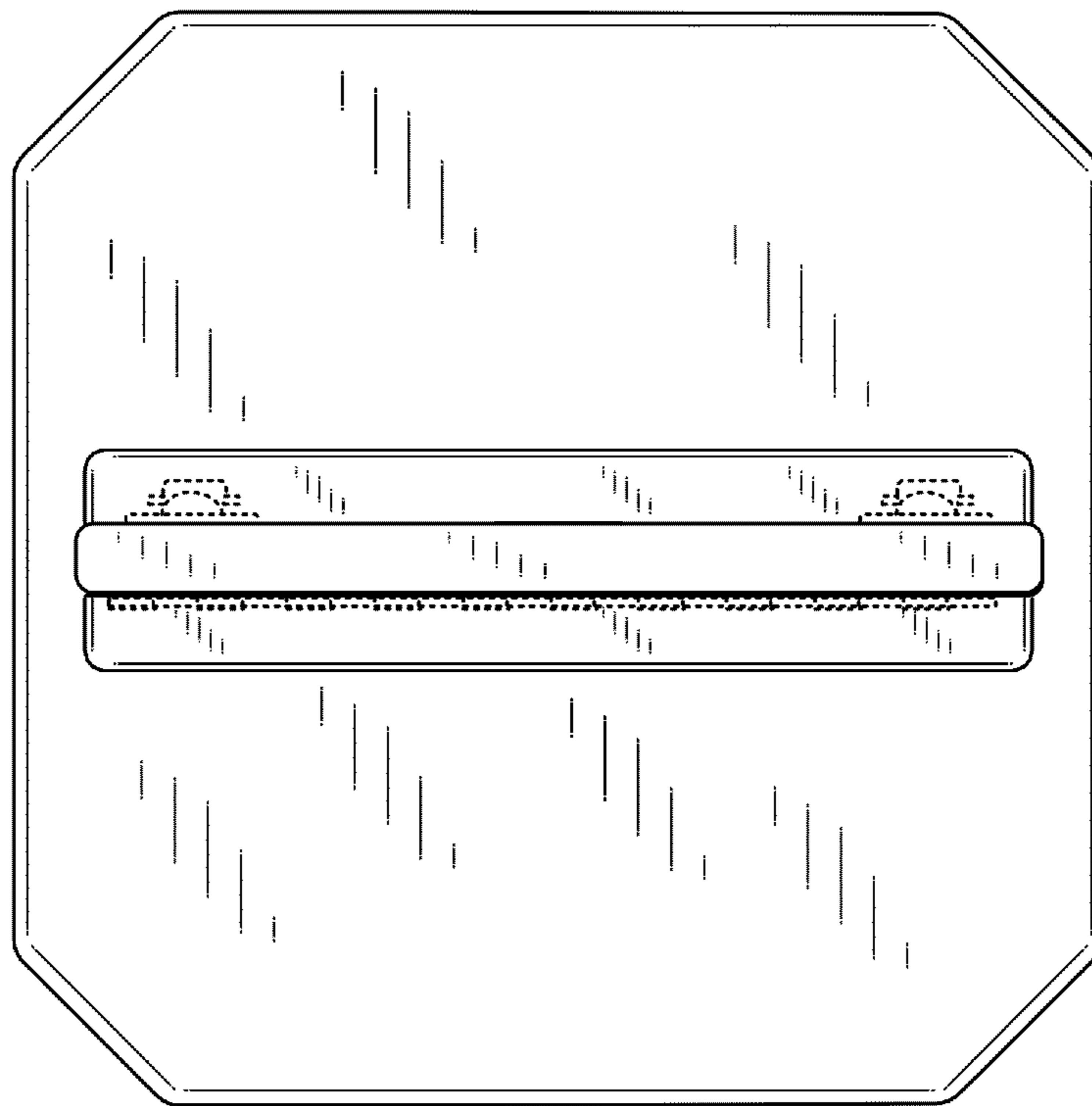


FIG. 7

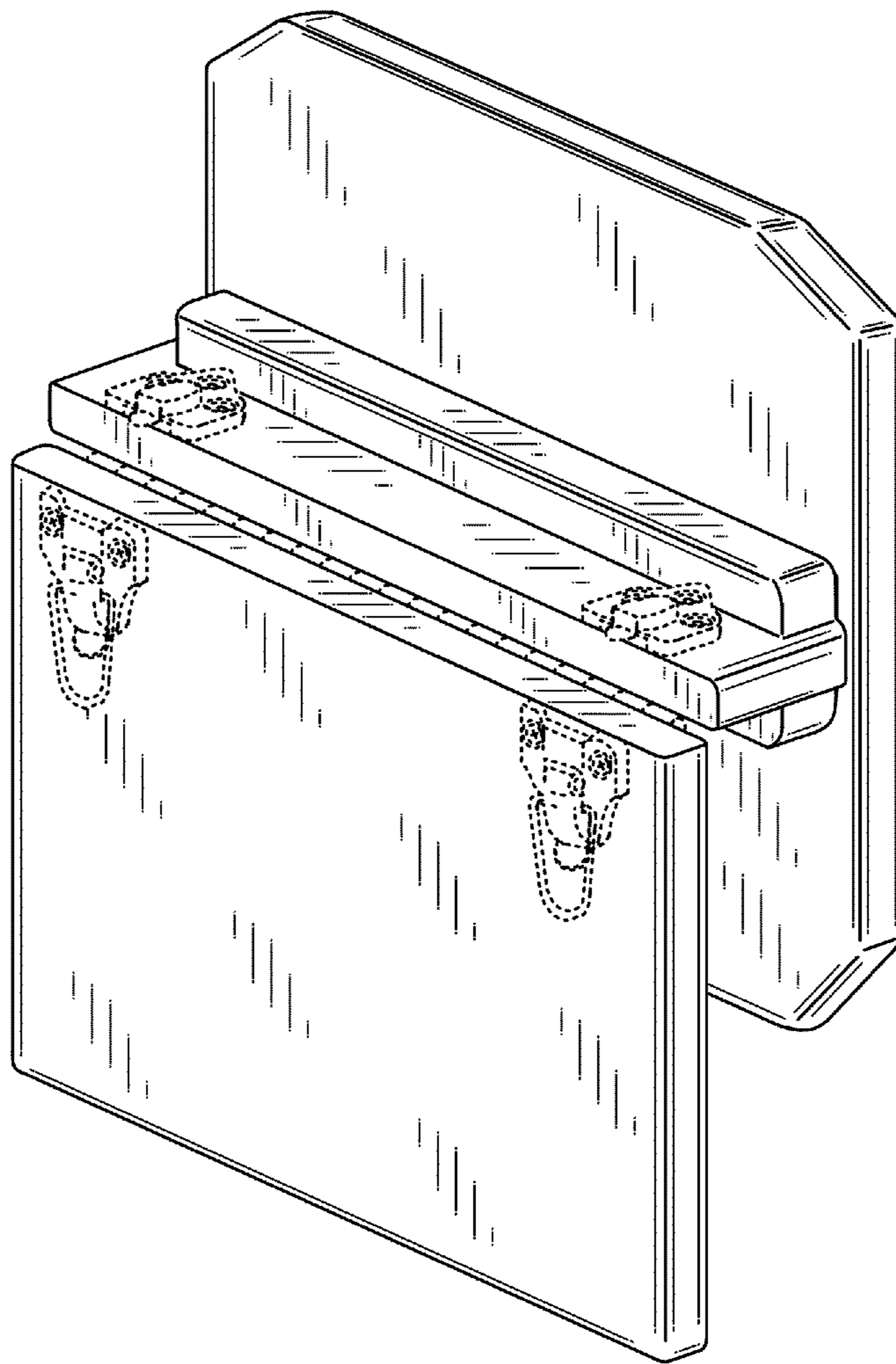


FIG. 8

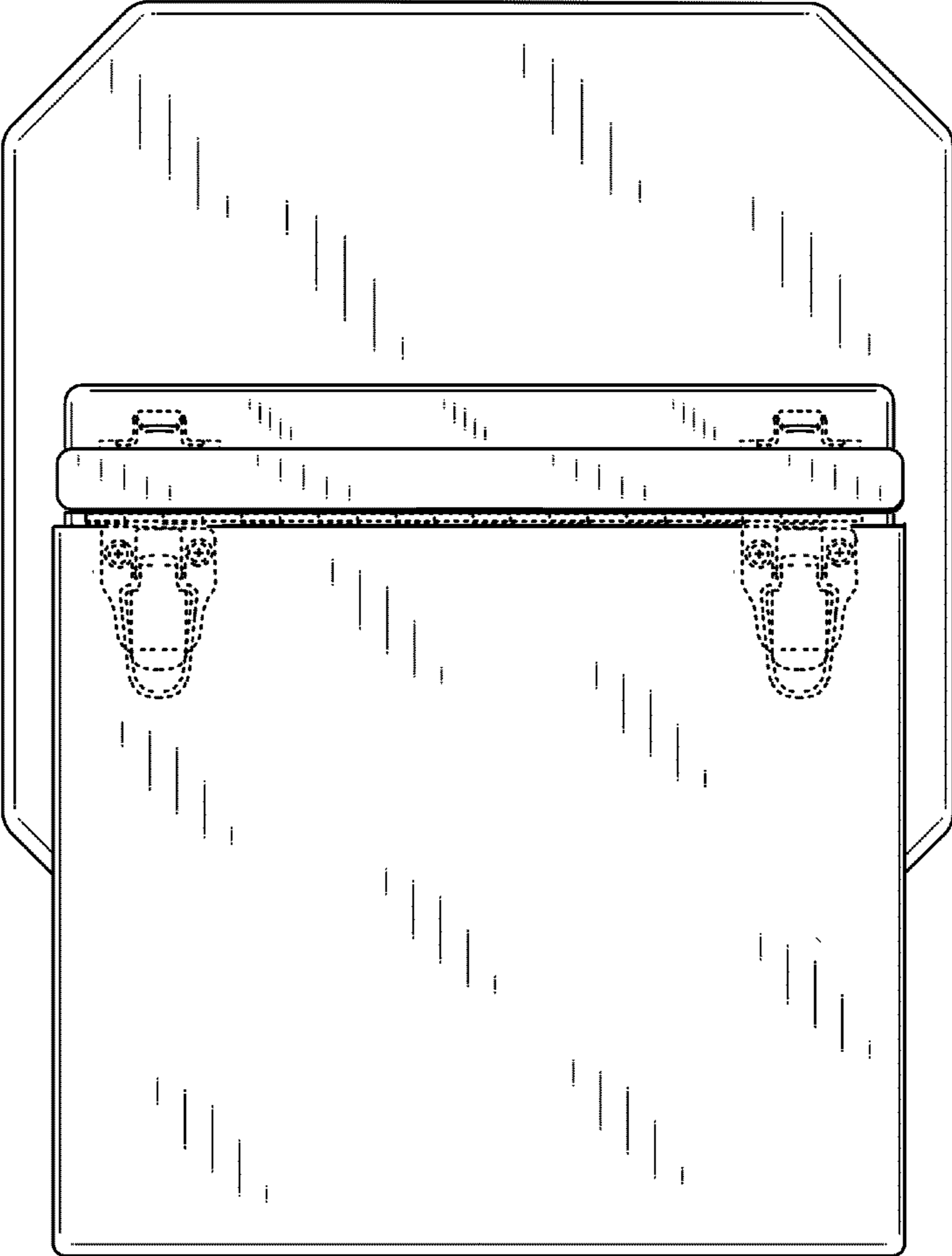


FIG. 9

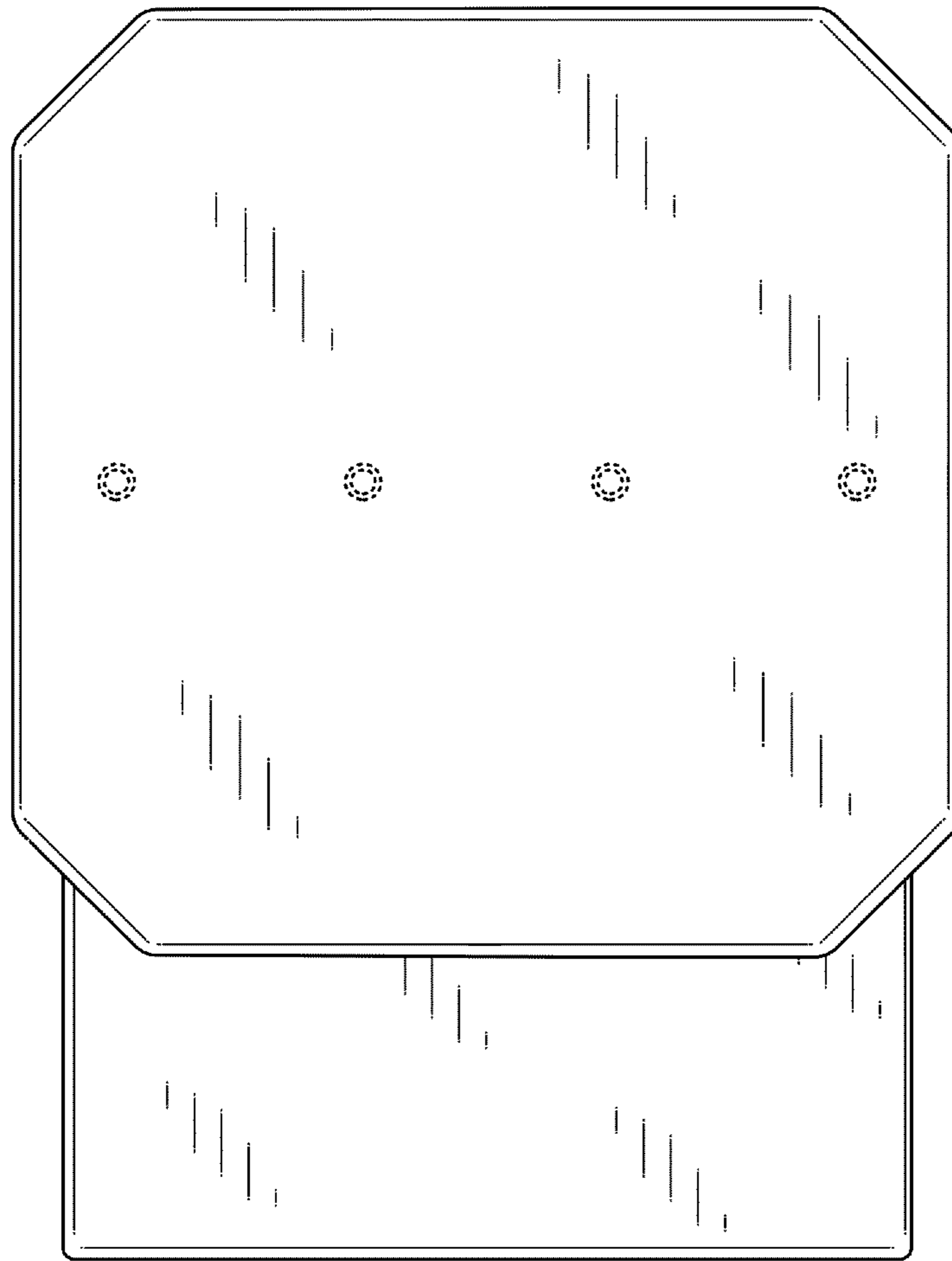


FIG. 10

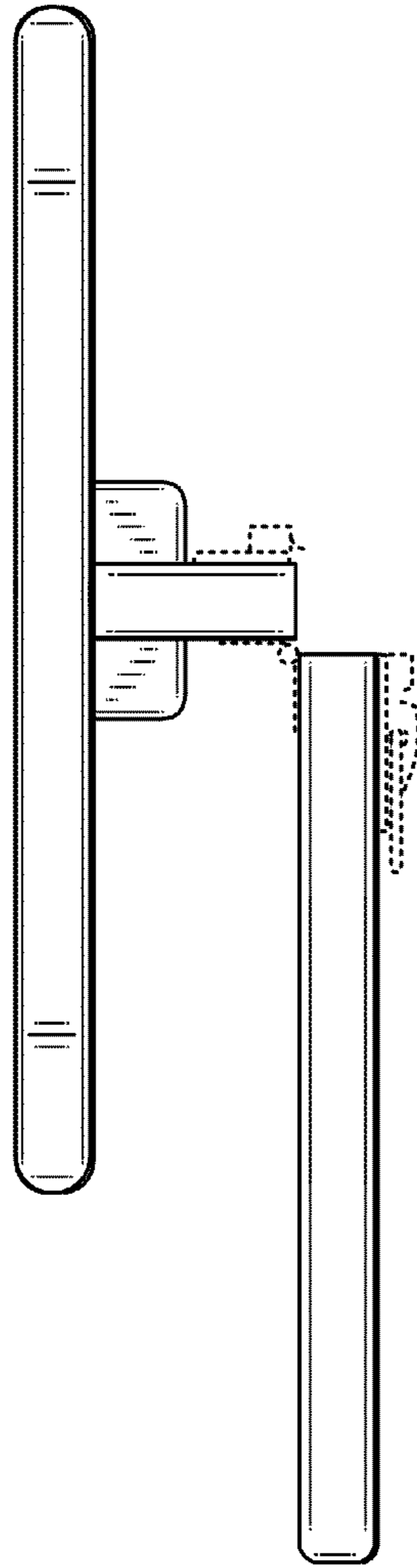


FIG. 11

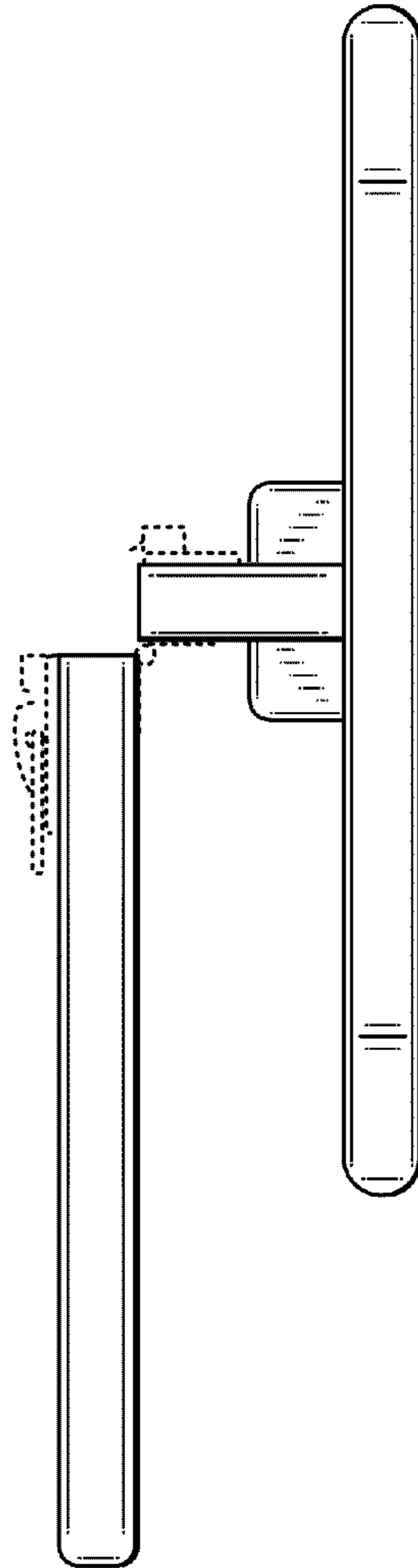


FIG. 12

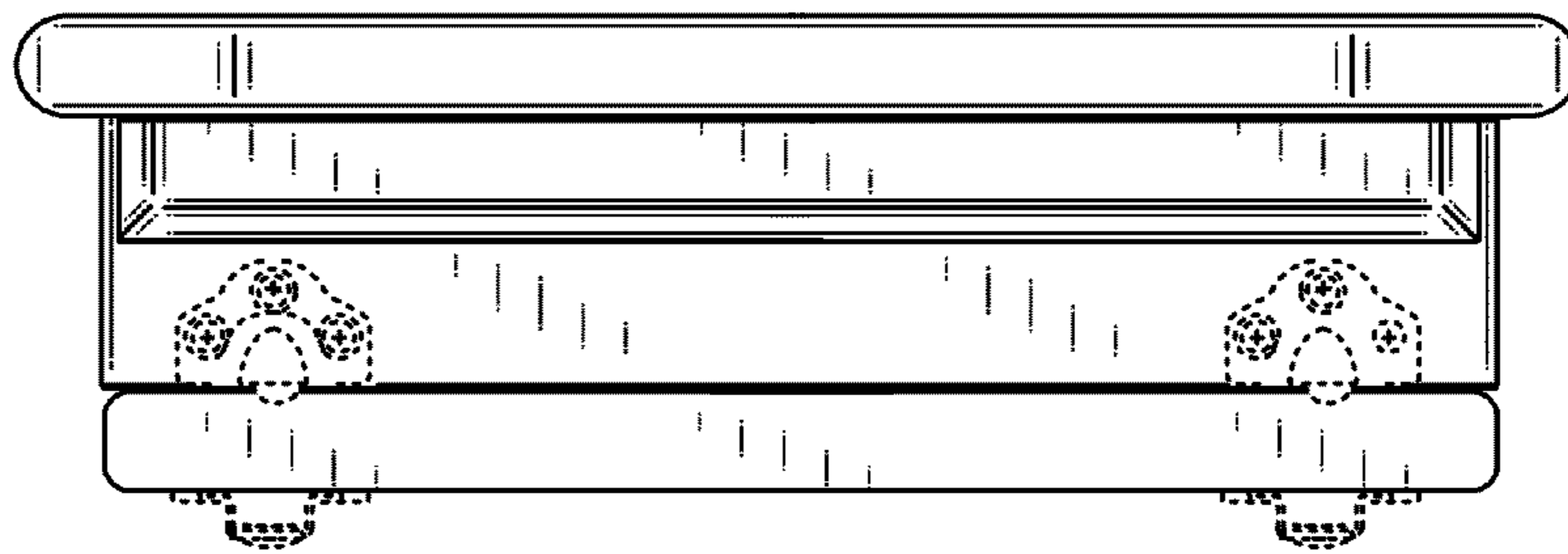


FIG. 13

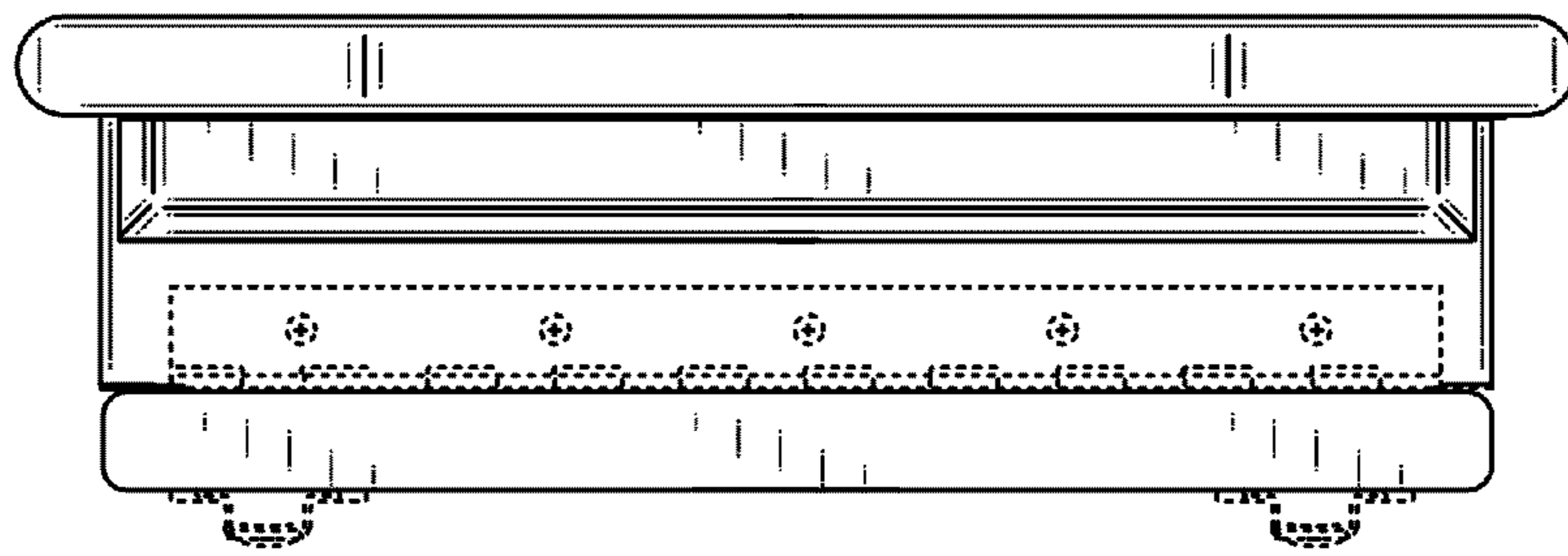


FIG. 14