



US00D716064S

(12) **United States Design Patent**
George, II et al.

(10) **Patent No.:** **US D716,064 S**
(45) **Date of Patent:** **** Oct. 28, 2014**

- (54) **MILANO CHAIR**
- (71) Applicants: **Daniel C. George, II**, Grand Rapids, MI (US); **Matthew Jung**, Ada, MI (US)
- (72) Inventors: **Daniel C. George, II**, Grand Rapids, MI (US); **Matthew Jung**, Ada, MI (US)
- (73) Assignee: **Comfort Research, LLC**, Grand Rapids, MI (US)
- (**) Term: **14 Years**
- (21) Appl. No.: **29/490,244**
- (22) Filed: **May 8, 2014**
- (51) **LOC (10) Cl.** **06-01**
- (52) **U.S. Cl.**
USPC **D6/334**
- (58) **Field of Classification Search**
USPC D6/334, 335, 336, 379, 381; 297/94, 297/118, 232, 445.1, 448.1, DIG. 7
See application file for complete search history.

D248,699 S *	8/1978	Haynes, Sr.	D6/377
D248,701 S *	8/1978	Haynes, Sr.	D6/377
D249,104 S *	8/1978	Haynes, Sr.	D6/377
D252,782 S *	9/1979	Roset	D6/334
D257,087 S *	9/1980	Roset	D6/334
D262,676 S *	1/1982	Roset	D6/334
D265,027 S *	6/1982	Meyers	D6/334
D280,365 S *	9/1985	Hopfer	D6/334
D287,551 S *	1/1987	Lewis	D6/334
D395,759 S *	7/1998	Smith	D6/334
D399,350 S *	10/1998	Hudson et al.	D6/334
D431,914 S *	10/2000	Lewis	D6/334
D577,158 S *	9/2008	Song	D30/118
D596,414 S *	7/2009	Natuzzi	D6/334
D596,862 S *	7/2009	Paulin	D6/334
D600,029 S *	9/2009	Paulin	D6/334
D628,400 S *	12/2010	Duchaufour Lawrance ..	D6/334
D628,404 S *	12/2010	Duchaufour Lawrance ..	D6/381
D635,375 S *	4/2011	Duchaufour Lawrance ..	D6/381

* cited by examiner

Primary Examiner — Sandra Snapp

(74) *Attorney, Agent, or Firm* — King & Partners, PLC

(57) **CLAIM**

The ornamental design for a Milano chair, as shown and described.

DESCRIPTION

FIG. 1 is a front perspective view of a Milano chair showing, in particular, the ornamental design thereof.

FIG. 2 is a front end view of the Milano chair of FIG. 1.

FIG. 3 is a rear end view of the Milano chair of FIG. 1.

FIG. 4 is a left side view of the Milano chair of FIG. 1.

FIG. 5 is a right side view of the Milano chair of FIG. 1.

FIG. 6 is a top plan view of the Milano chair of FIG. 1; and,

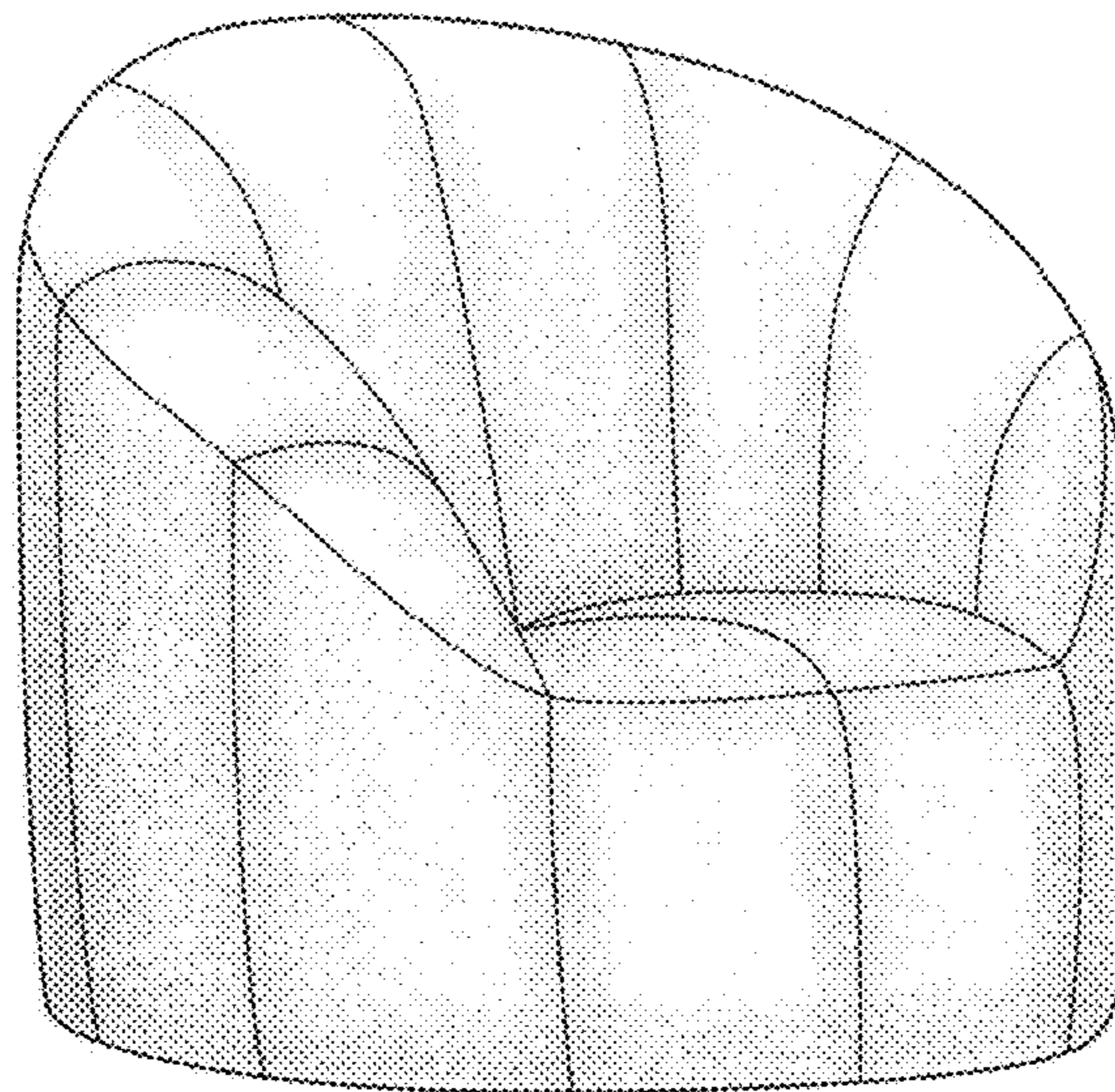
FIG. 7 is a bottom plan view of the Milano chair of FIG. 1.

1 Claim, 7 Drawing Sheets

(56) **References Cited**

U.S. PATENT DOCUMENTS

D173,389 S *	11/1954	Sherman	D6/334
D227,835 S *	7/1973	Kublemann	D6/364
D228,595 S *	10/1973	Korch	D6/334
3,899,210 A *	8/1975	Samhammer et al.	297/448.2
D239,795 S *	5/1976	Barnard	D6/334
D242,964 S *	1/1977	Haynes, Sr.	D6/377
D243,045 S *	1/1977	Haynes, Sr.	D6/377
D243,047 S *	1/1977	Haynes, Sr.	D6/377
D244,071 S *	4/1977	Haynes, Sr.	D6/377
D246,492 S *	11/1977	Roset	D6/334
D248,520 S *	7/1978	Haynes, Sr.	D6/377



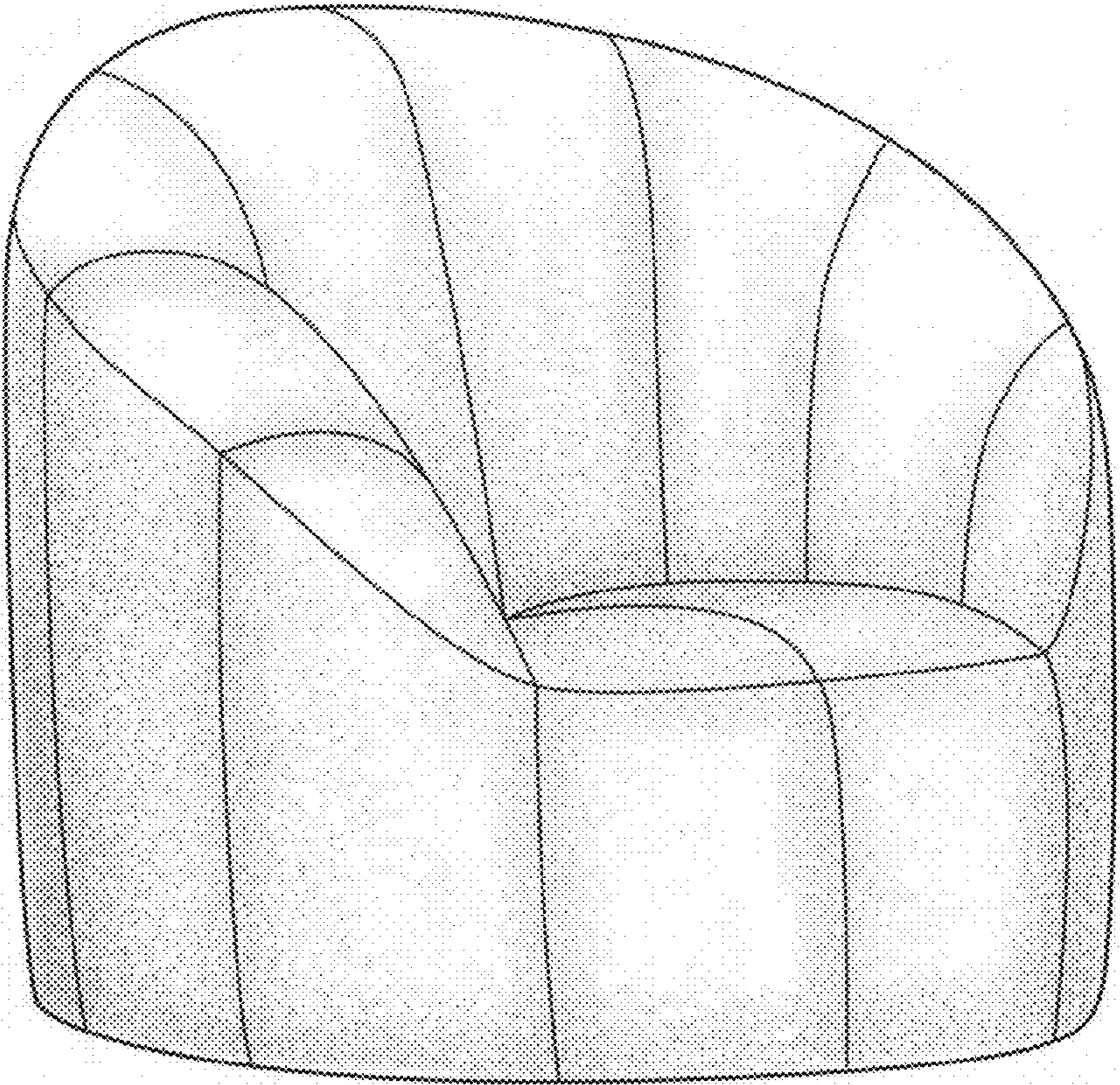


Figure 1

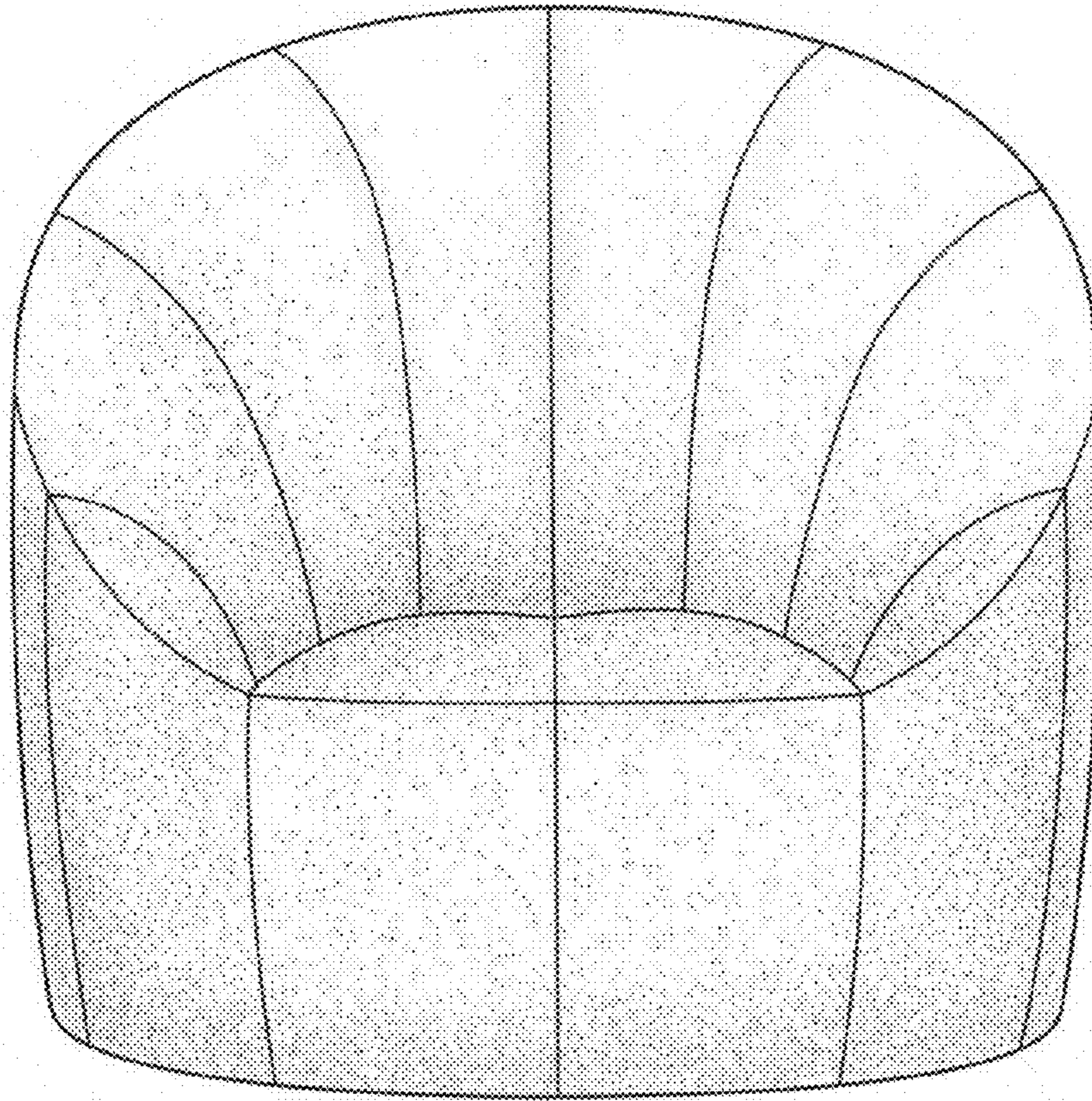


Figure 2

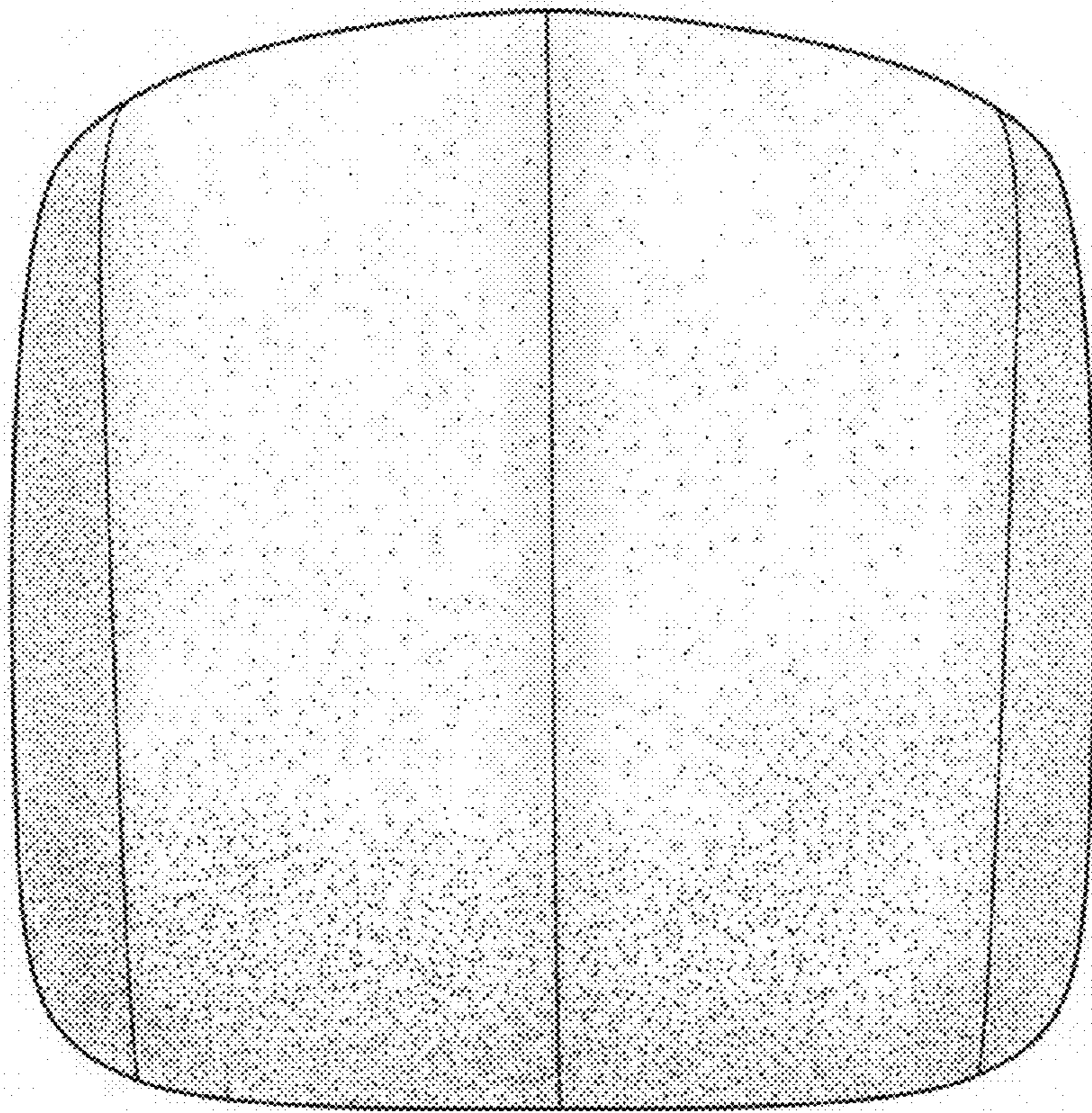


Figure 3

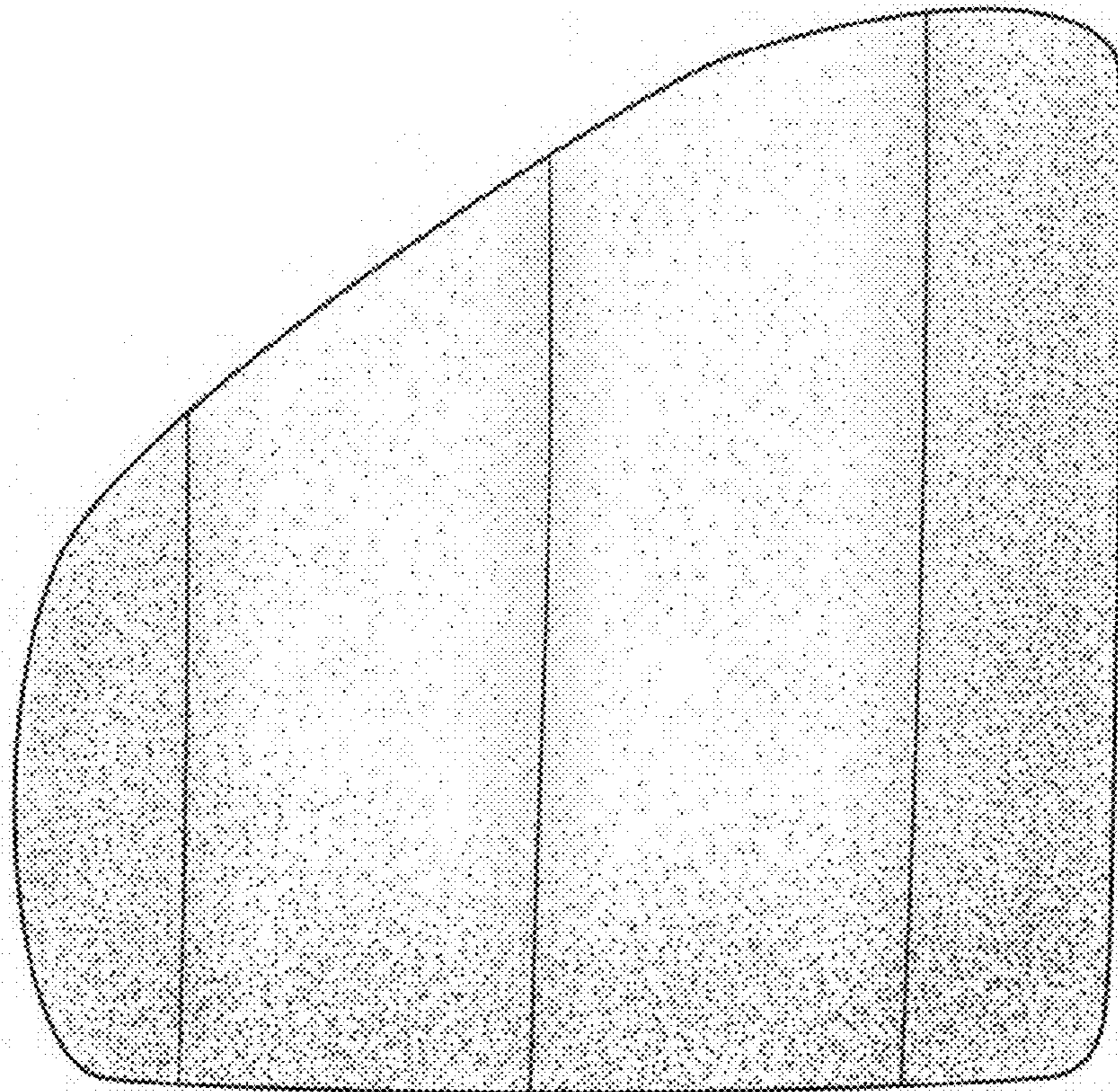


Figure 4

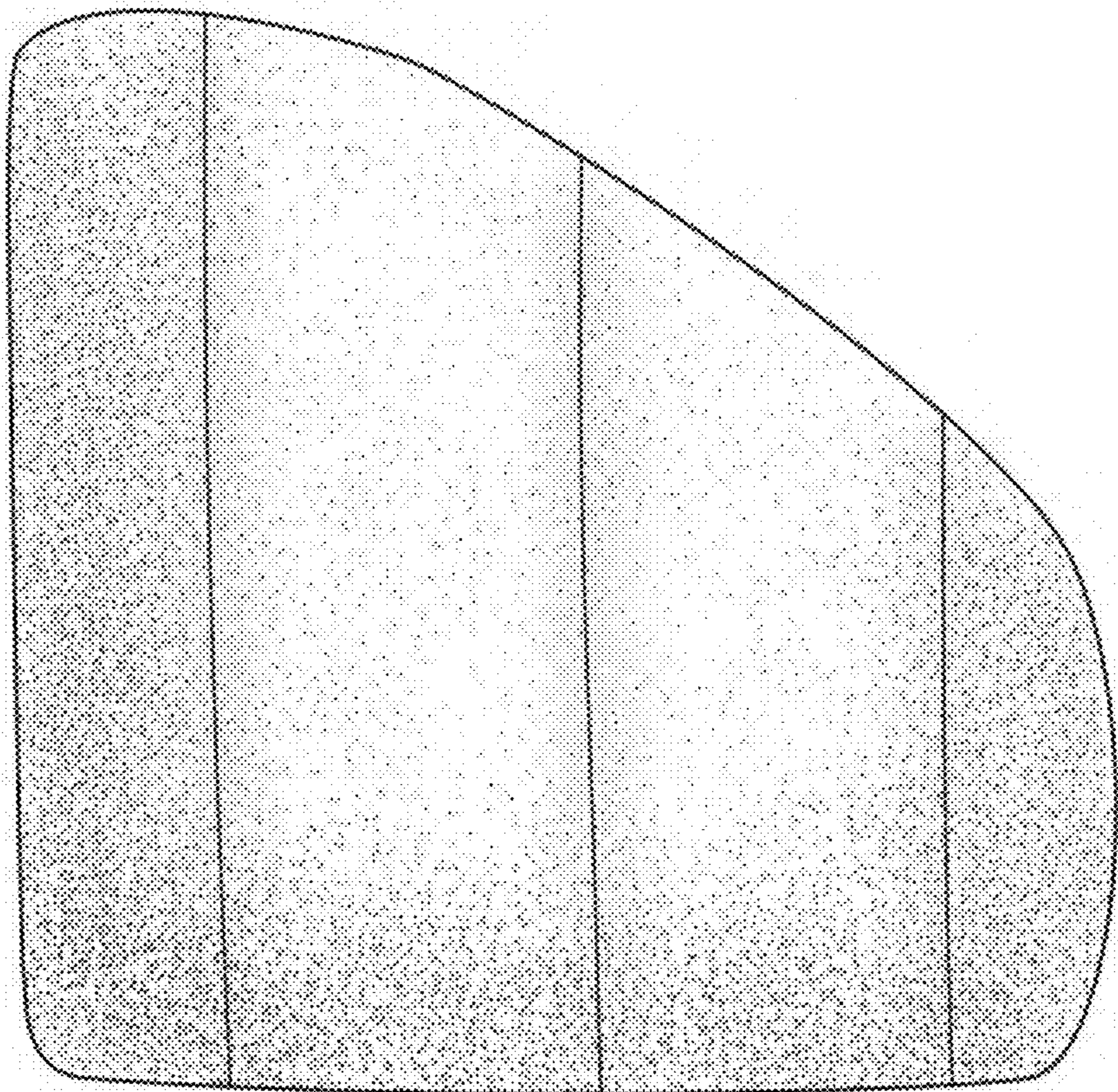


Figure 5

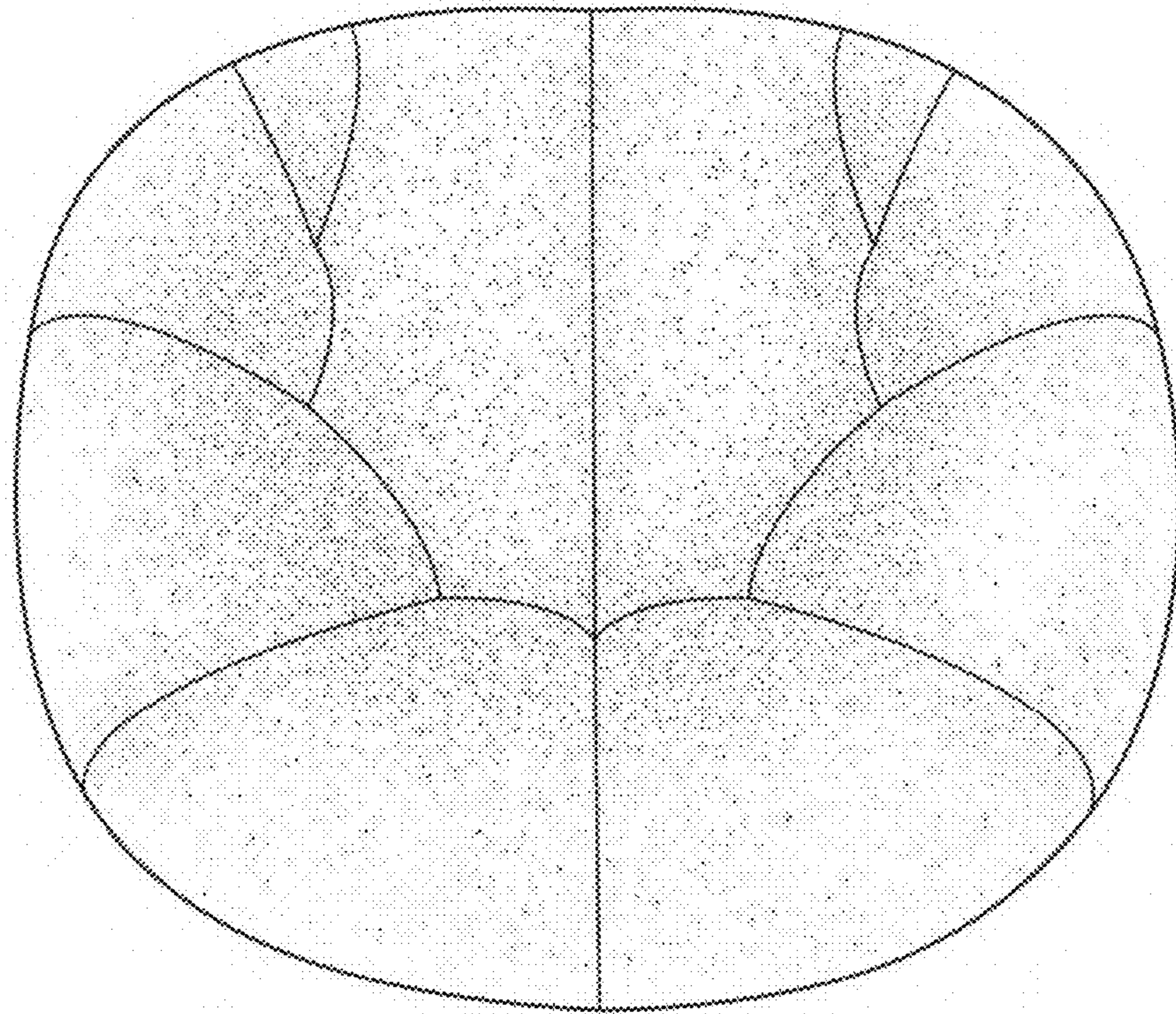


Figure 6

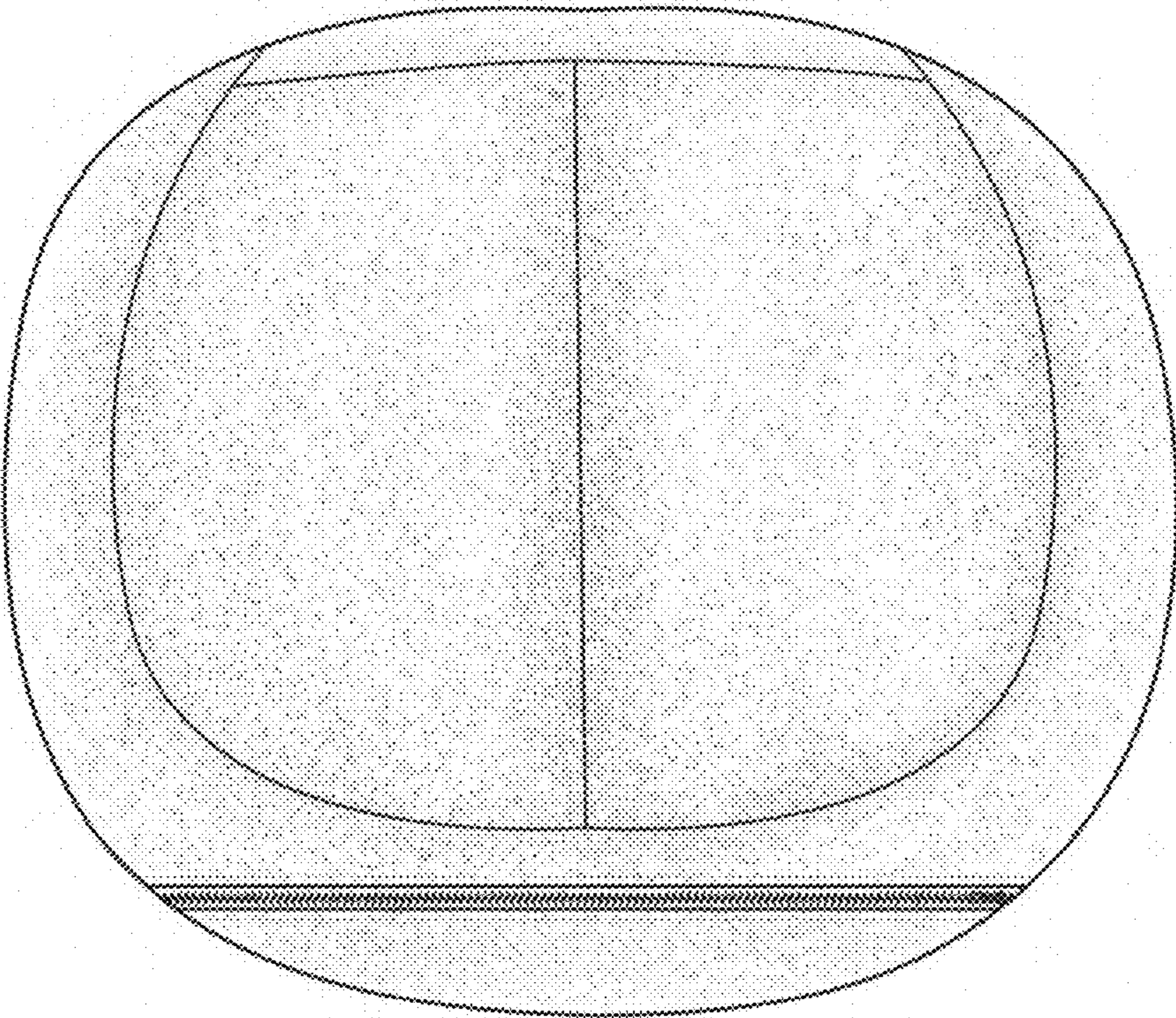


Figure 7