



US00D716063S

(12) **United States Design Patent**  
**Garcia**

(10) **Patent No.:** **US D716,063 S**  
(45) **Date of Patent:** **\*\* Oct. 28, 2014**

(54) **CHAIR**

(71) Applicant: **Baker, Knapp & Tubbs, Inc.**, Hickory, NC (US)

(72) Inventor: **Jacques Garcia**, Paris (FR)

(73) Assignee: **Baker, Knapp & Tubbs, Inc.**, Hickory, NC (US)

(\*\*) Term: **14 Years**

(21) Appl. No.: **29/468,457**

(22) Filed: **Sep. 30, 2013**

(51) **LOC (10) Cl.** ..... **06-01**

(52) **U.S. Cl.**  
USPC ..... **D6/334**

(58) **Field of Classification Search**  
USPC ..... D6/334, 335, 336, 379, 381; 297/94,  
297/118, 232, 445.1, 448.1, DIG. 7  
See application file for complete search history.

(56) **References Cited**

U.S. PATENT DOCUMENTS

D284,624 S \* 7/1986 Culler ..... D6/371  
D326,780 S \* 6/1992 Morgan ..... D6/334

(Continued)

*Primary Examiner* — Sandra Snapp

(74) *Attorney, Agent, or Firm* — Foley & Lardner LLP

(57) **CLAIM**

I claim the ornamental design for a chair, as shown and described.

**DESCRIPTION**

FIG. 1 is a perspective view of an exemplary embodiment of the claimed design;

FIG. 2 is a front view of the claimed design shown in FIG. 1;

FIG. 3 is rear view of the embodiment shown in FIG. 1;

FIG. 4 is a side view of the embodiment shown in FIG. 1;

FIG. 5 is another side view of the embodiment shown in FIG. 1;

FIG. 6 is a top view of the embodiment shown in FIG. 1;

FIG. 7 is a bottom view of the embodiment shown in FIG. 1;

FIG. 8 is a perspective view of another exemplary embodiment of the claimed design;

FIG. 9 is a front view of the embodiment shown in FIG. 8;

FIG. 10 is a rear view of the embodiment shown in FIG. 8;

FIG. 11 is a side view of the embodiment shown in FIG. 8;

FIG. 12 is another side view of the embodiment shown in FIG. 8;

FIG. 13 is a top view of the embodiment shown in FIG. 8;

FIG. 14 is a bottom view of the embodiment shown in FIG. 8;

FIG. 15 is a perspective view of another exemplary embodiment of the claimed design;

FIG. 16 is a front view of the embodiment shown in FIG. 15;

FIG. 17 is a rear view of the embodiment shown in FIG. 15;

FIG. 18 is a side view of the embodiment shown in FIG. 15;

FIG. 19 is another side view of the embodiment shown in FIG. 15;

FIG. 20 is a top view of the embodiment shown in FIG. 15;

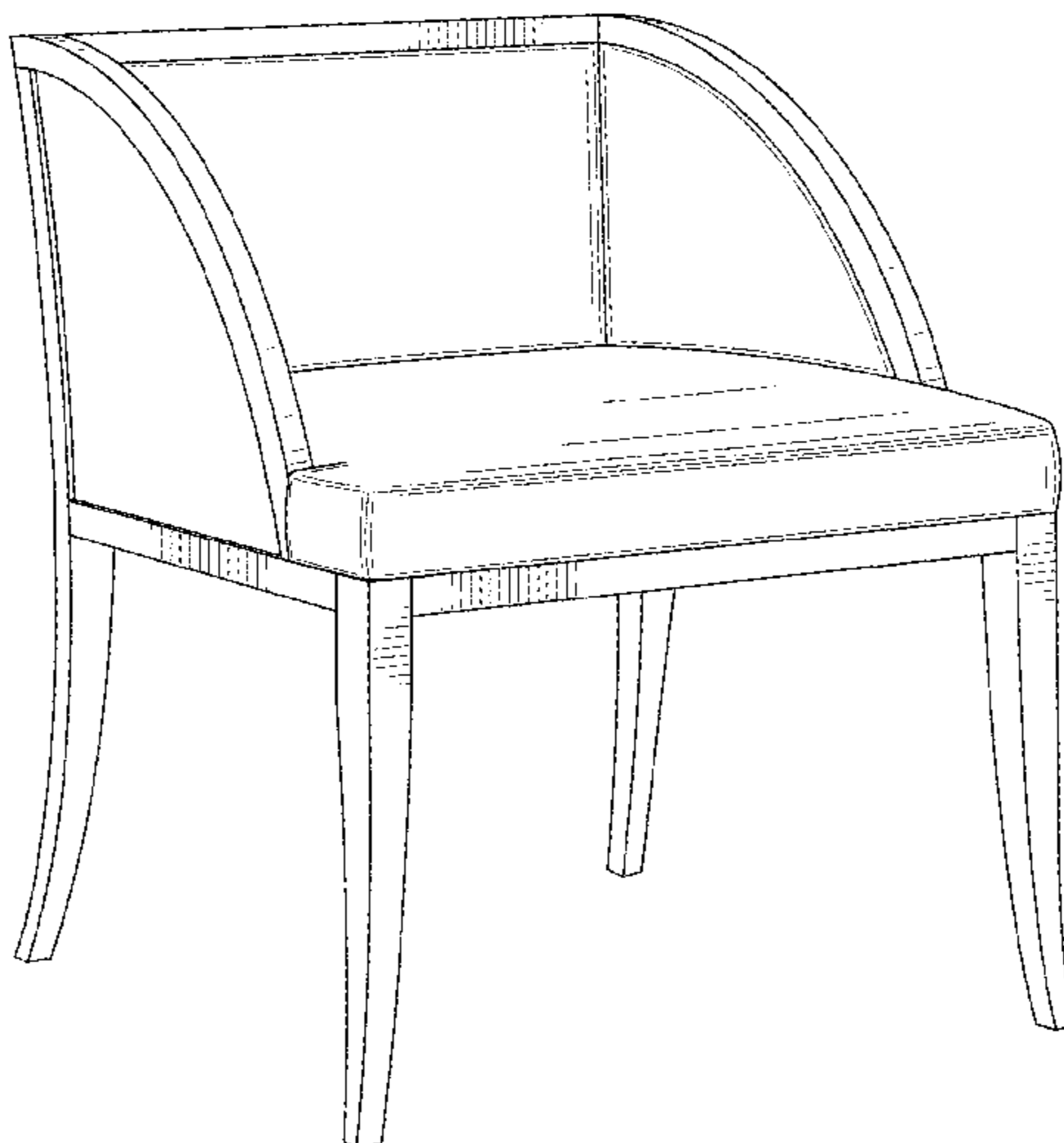
and,

FIG. 21 is a bottom view of the embodiment shown in FIG. 15.

The ornamental design which is claimed is shown in solid lines in the drawings. The broken lines in the drawings are for illustrative purposes only and form no part of the claimed design. Broken lines formed by equal length dashes show unclaimed portions of the design. Broken lines formed of unequal length dashes (i.e., dash-dot) show boundaries between claimed and unclaimed portions of the design. Lines having a jagged element are not part of the claimed design and show that no particular length of the portion is claimed.

Portions shown in stipple shading as opposed to line shading (e.g., as shown in FIG. 15) are intended to illustrate contrasting surfaces unlimited by colors, textures, or other decorative embellishments.

**1 Claim, 21 Drawing Sheets**



# US D716,063 S

Page 2

---

(56)

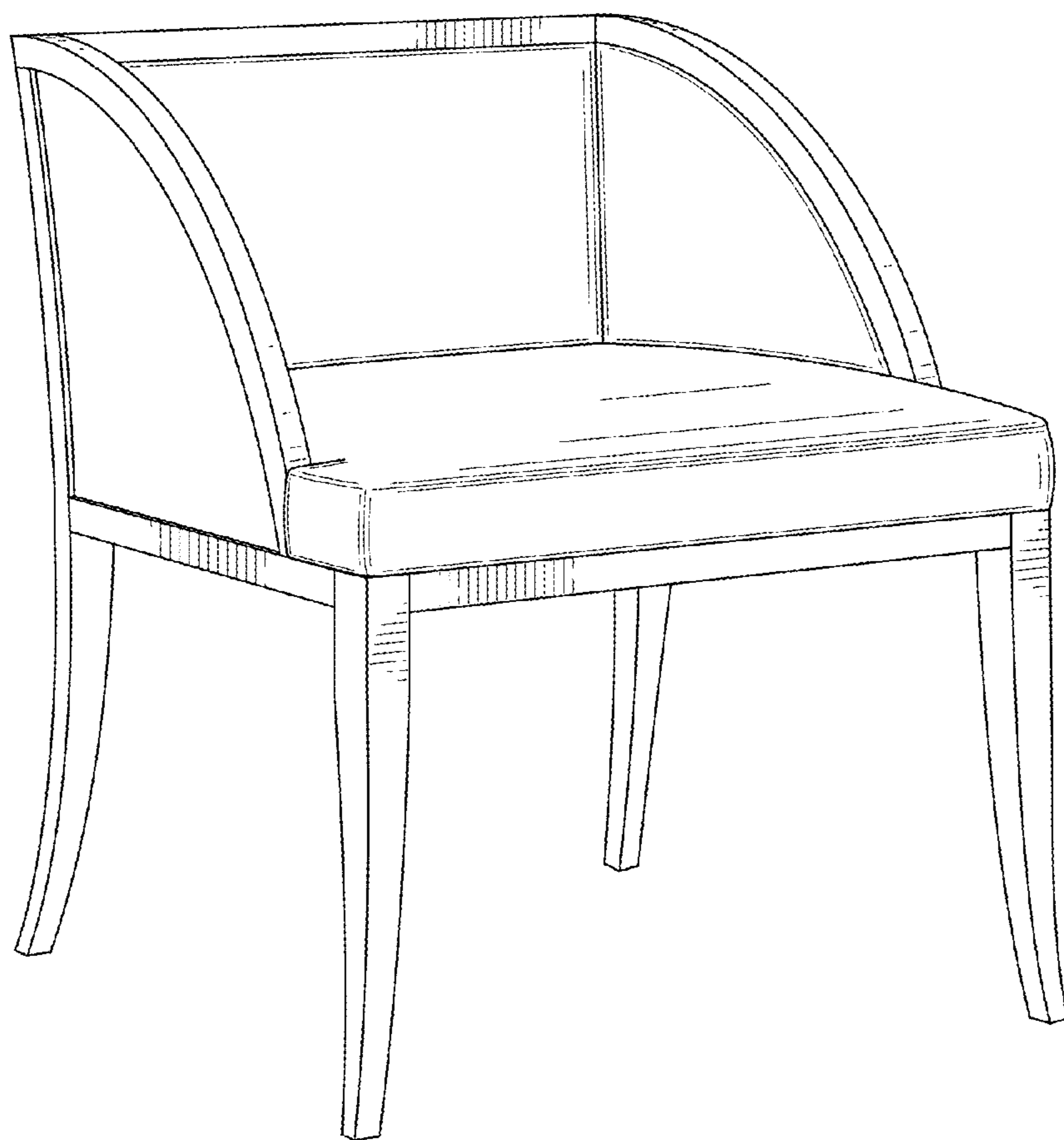
## References Cited

### U.S. PATENT DOCUMENTS

D352,615 S \* 11/1994 Hutton ..... D6/334  
D376,700 S \* 12/1996 Brush ..... D6/334

D386,909 S \* 12/1997 Mourgue ..... D6/334  
D393,956 S \* 5/1998 Kane ..... D6/374  
D422,804 S \* 4/2000 Tarlow ..... D6/369

\* cited by examiner



**FIG. 1**

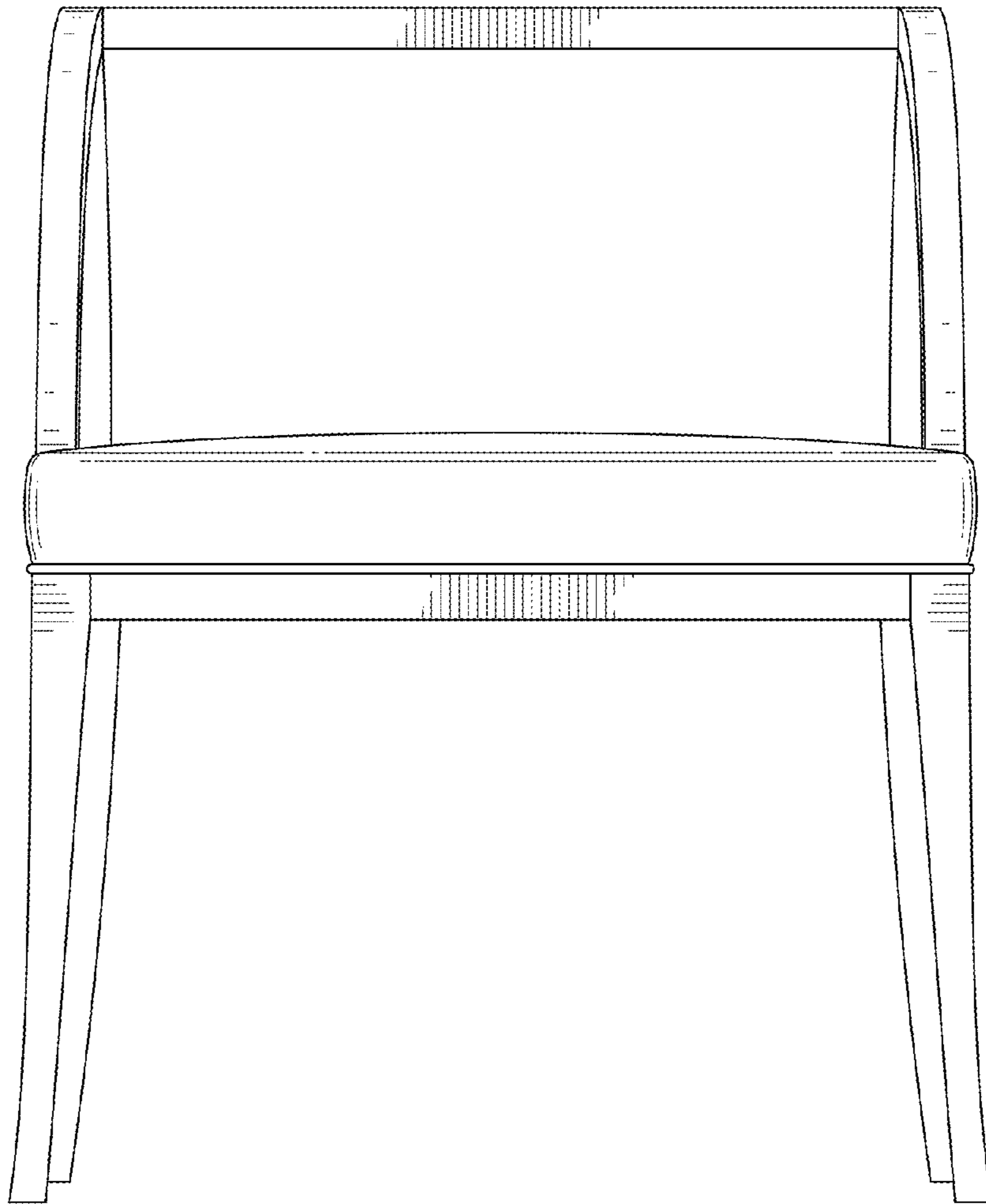
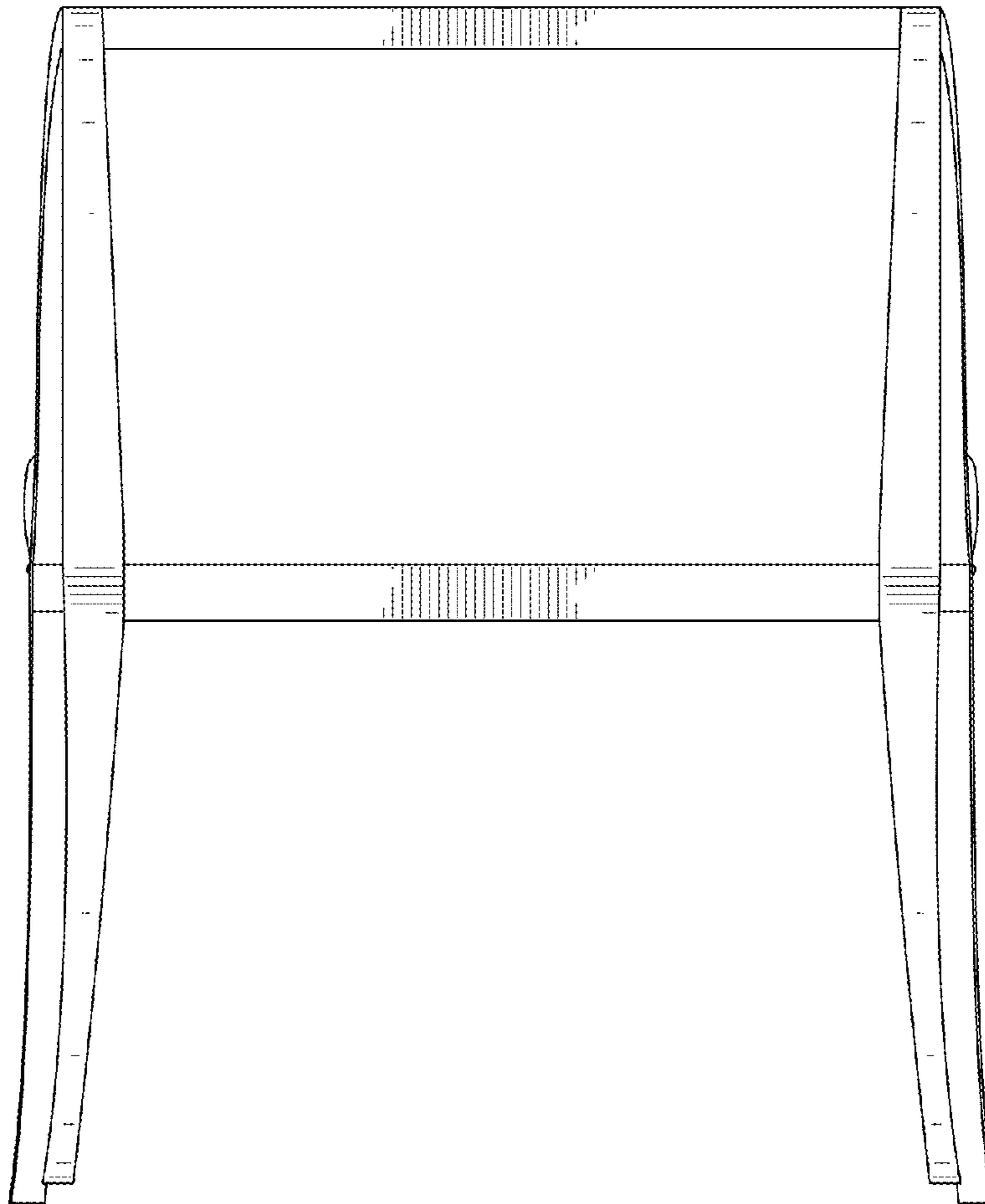


FIG. 2



**FIG. 3**

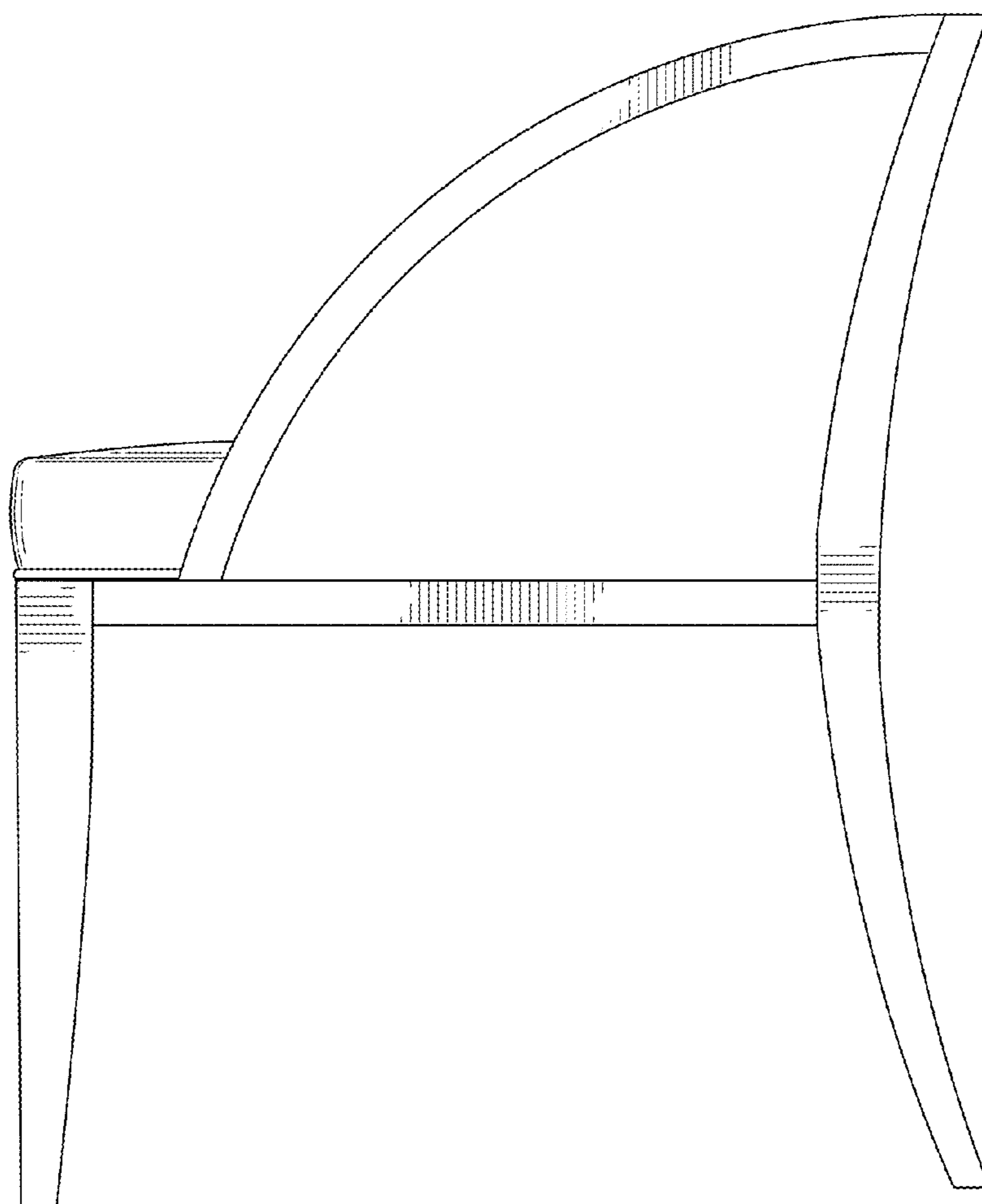


FIG. 4

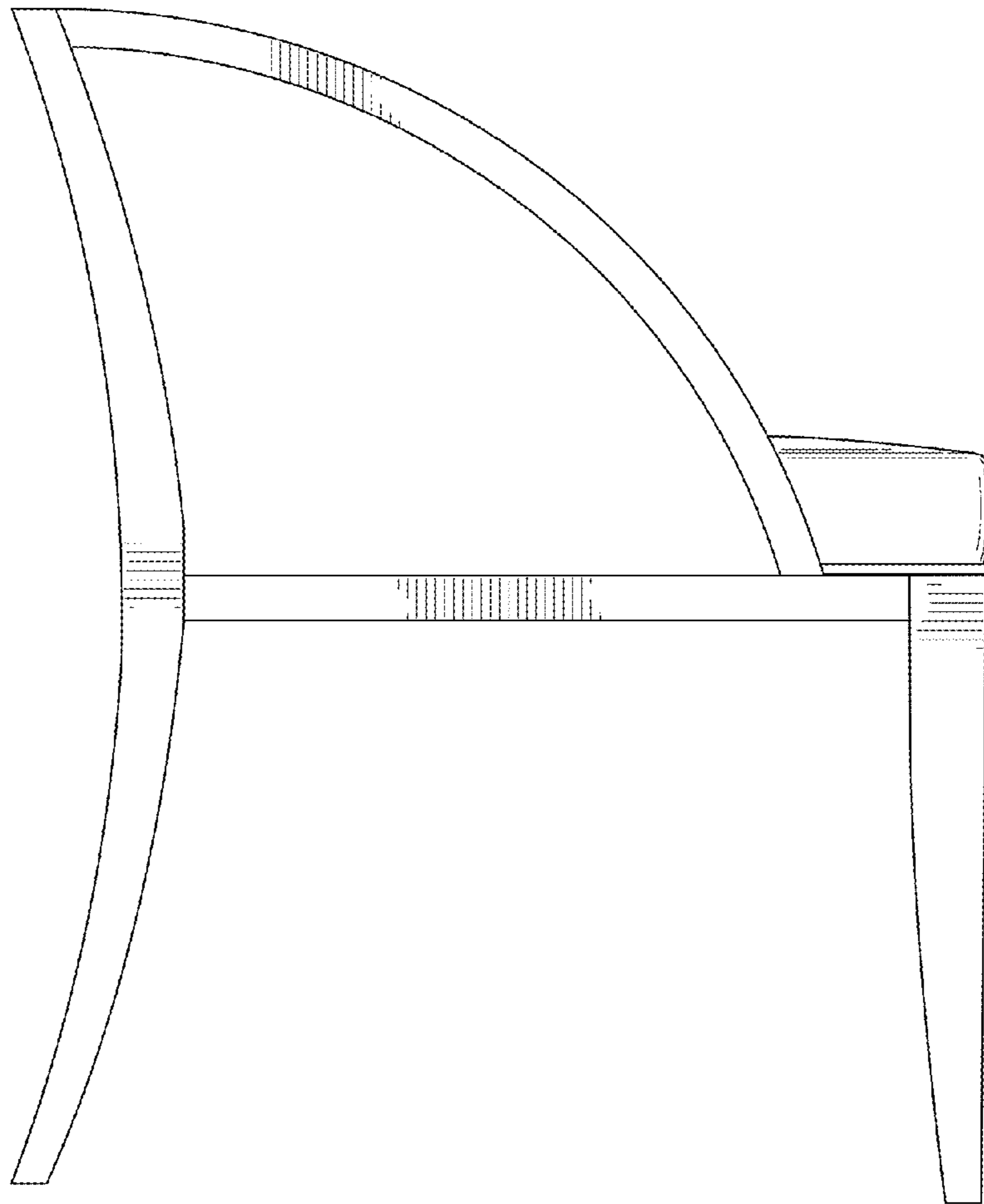


FIG. 5

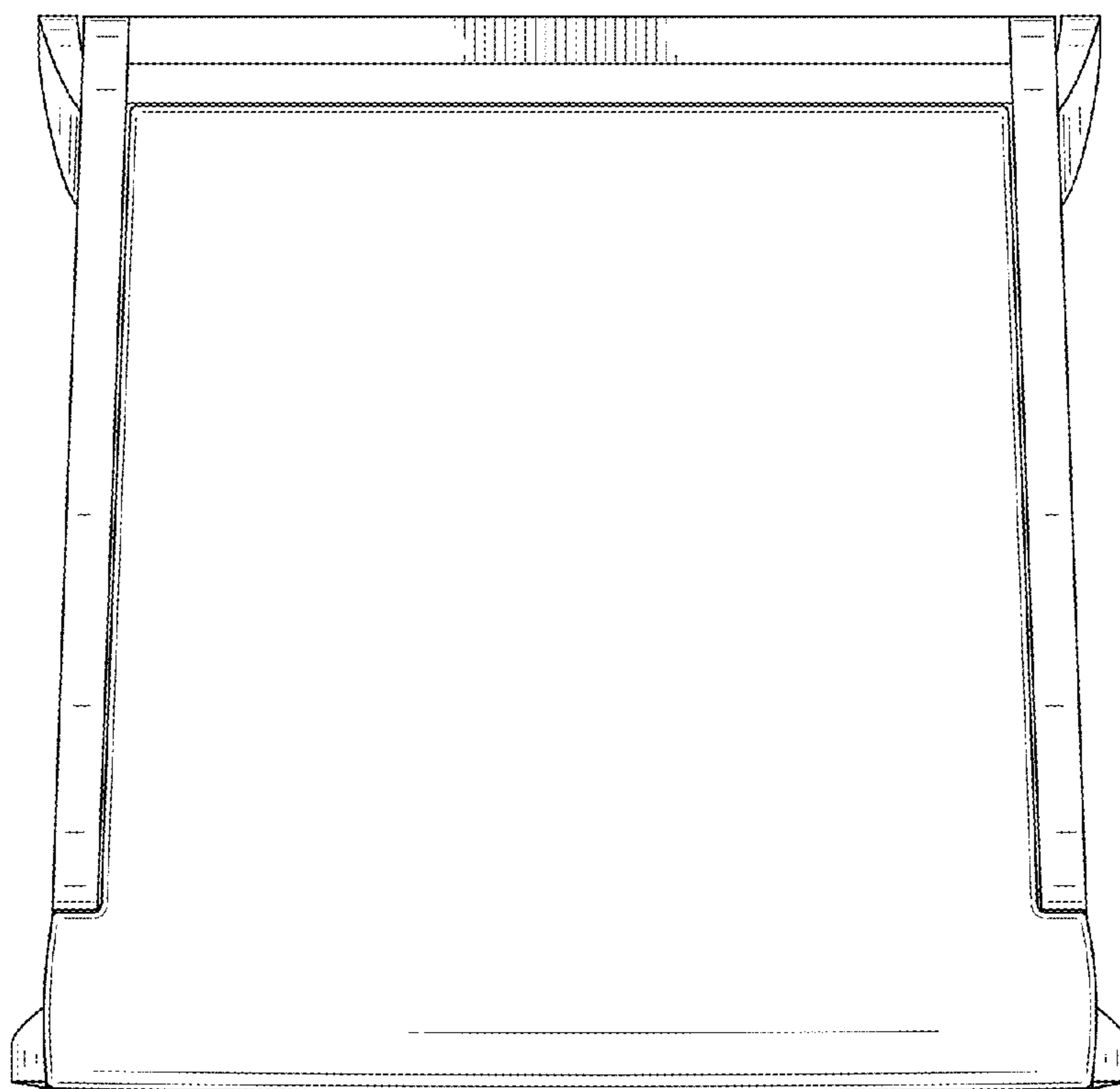
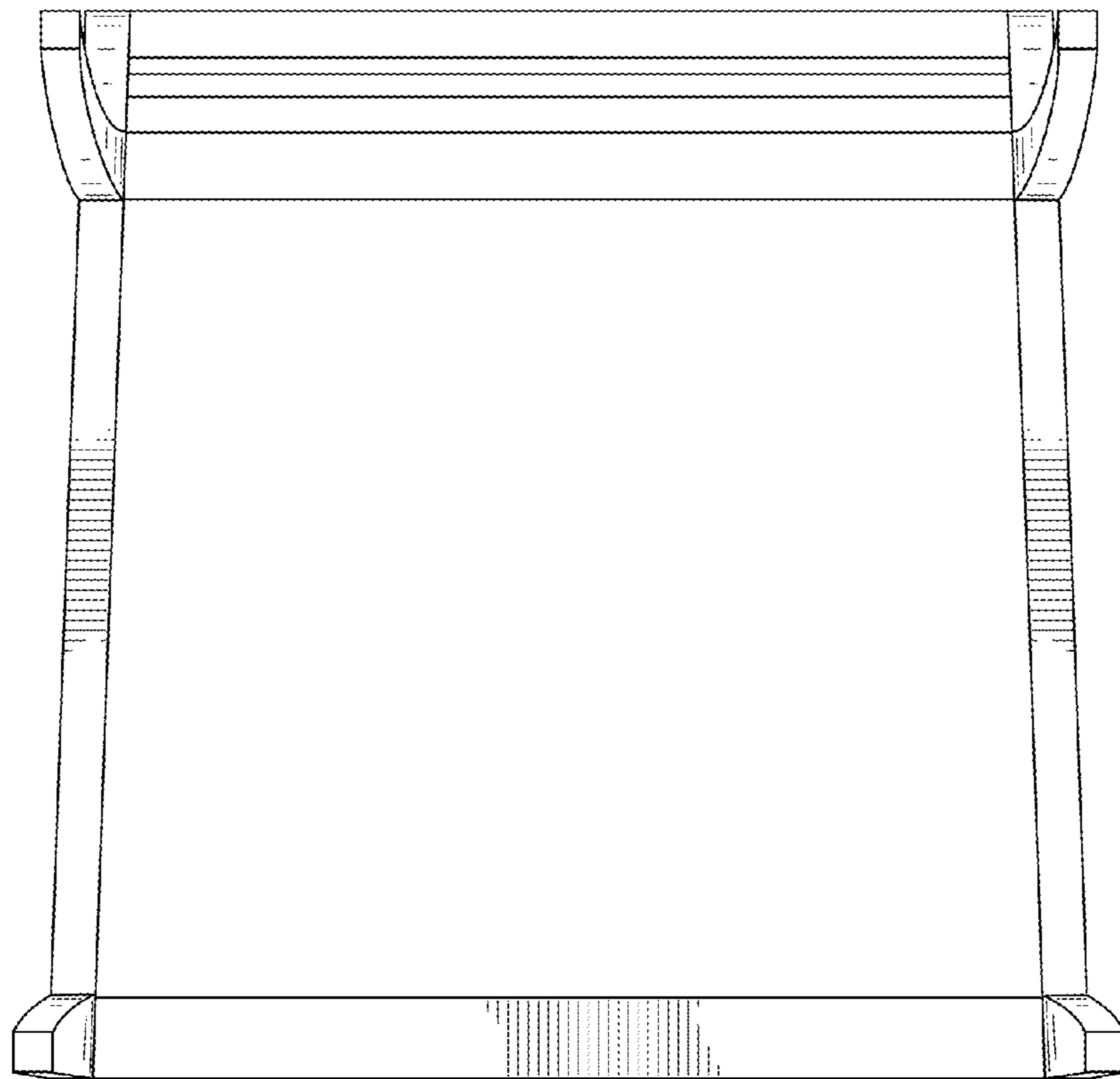


FIG. 6





**FIG. 7**

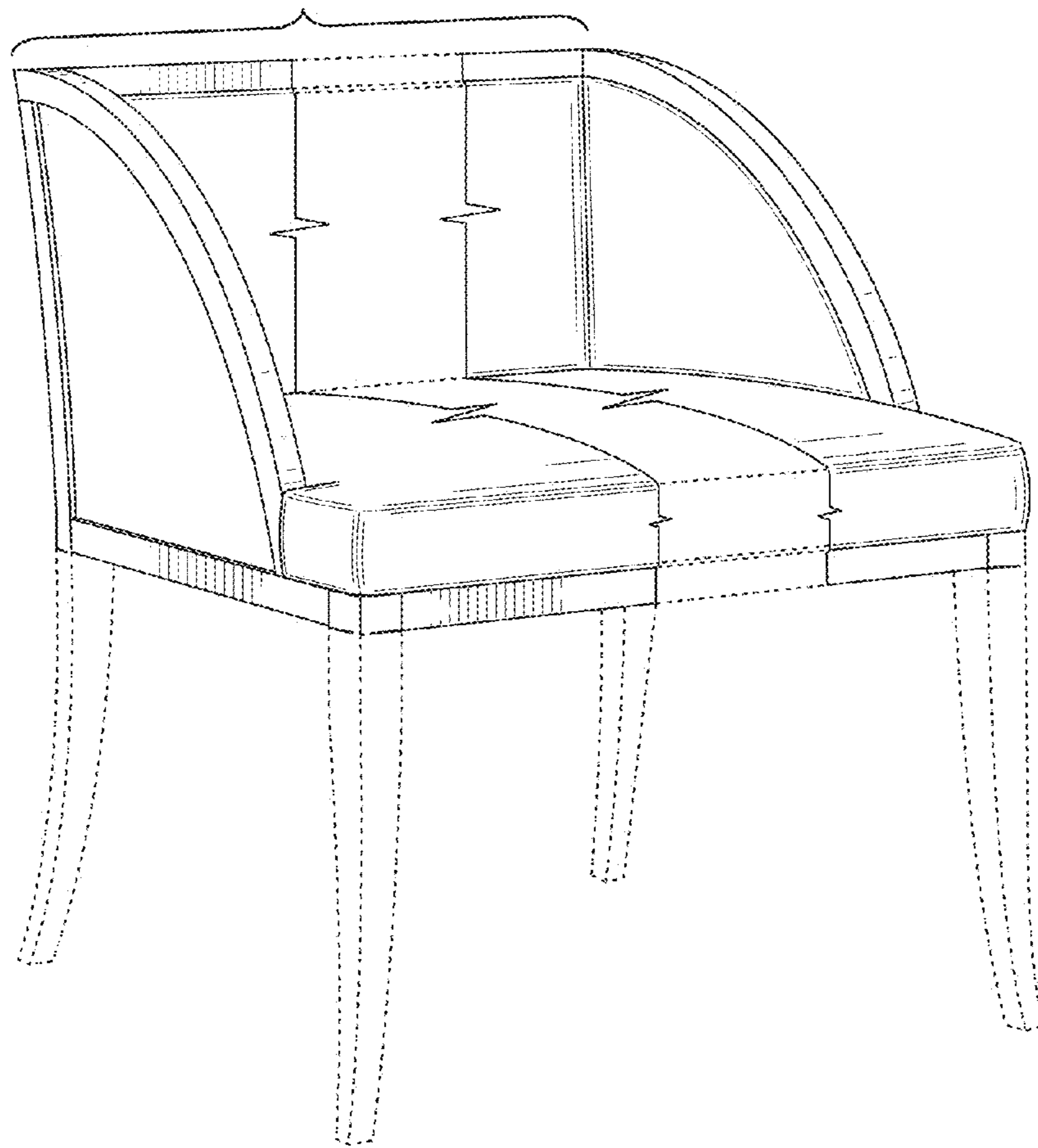


FIG. 8

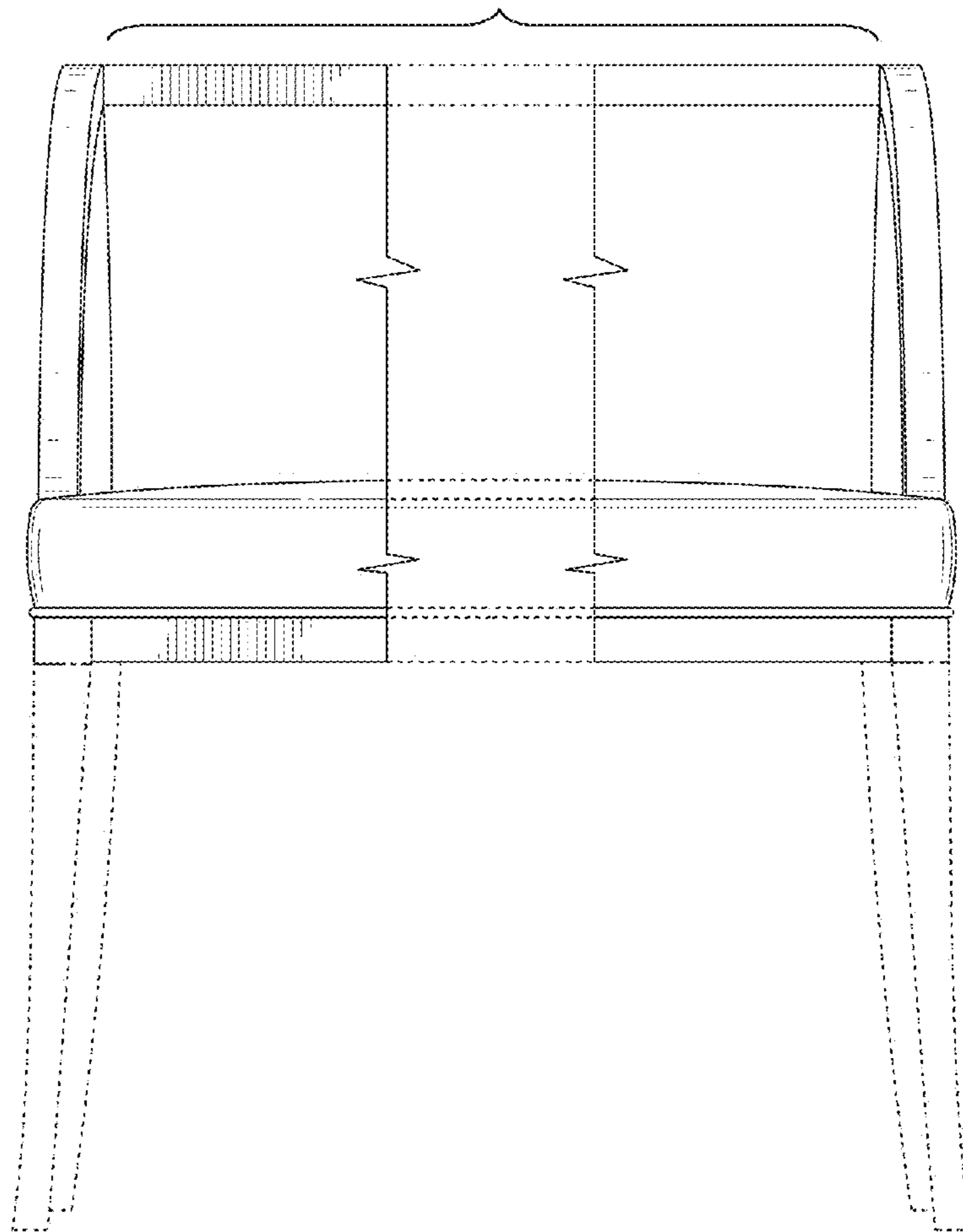


FIG. 9

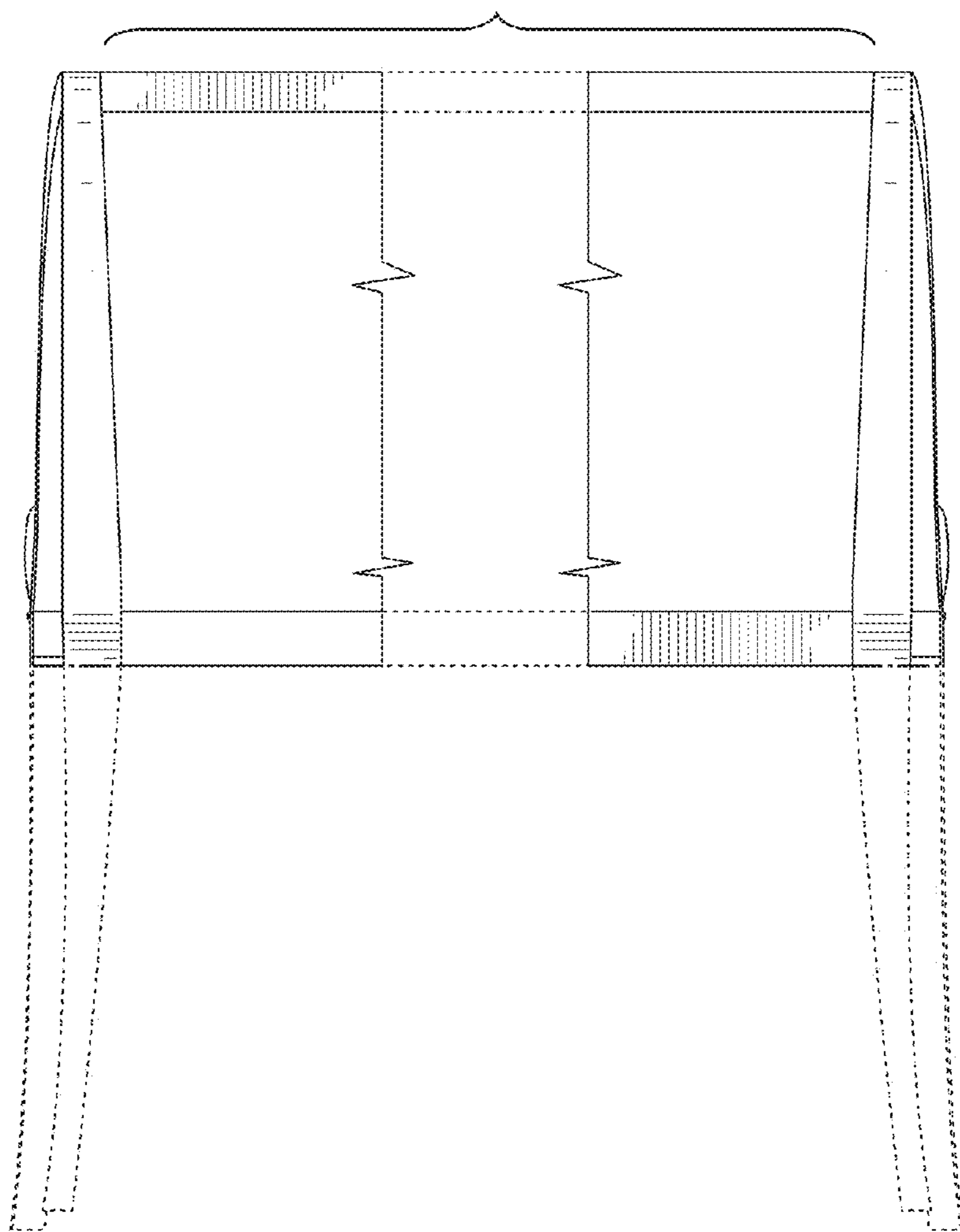


FIG. 10

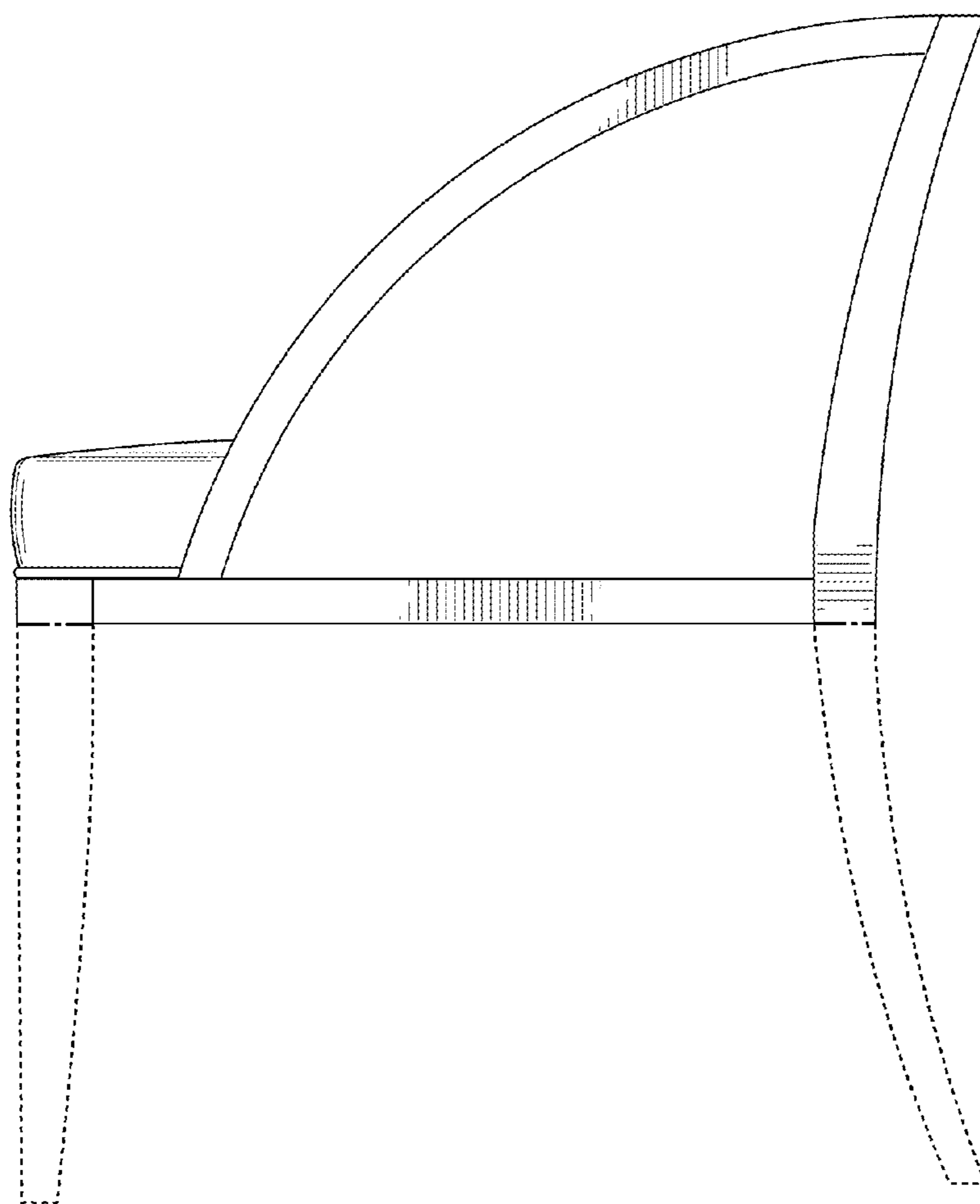


FIG. 11

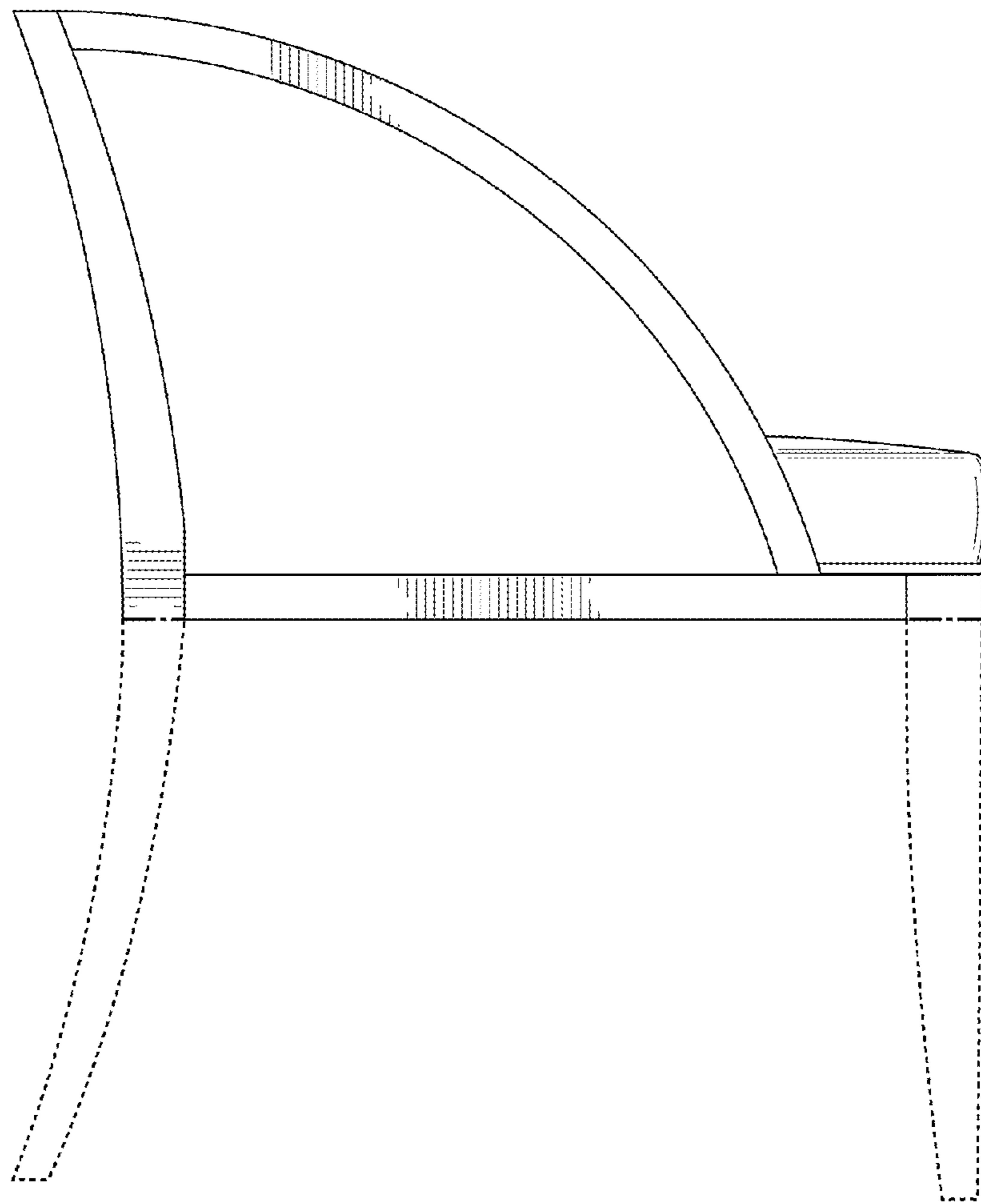


FIG. 12

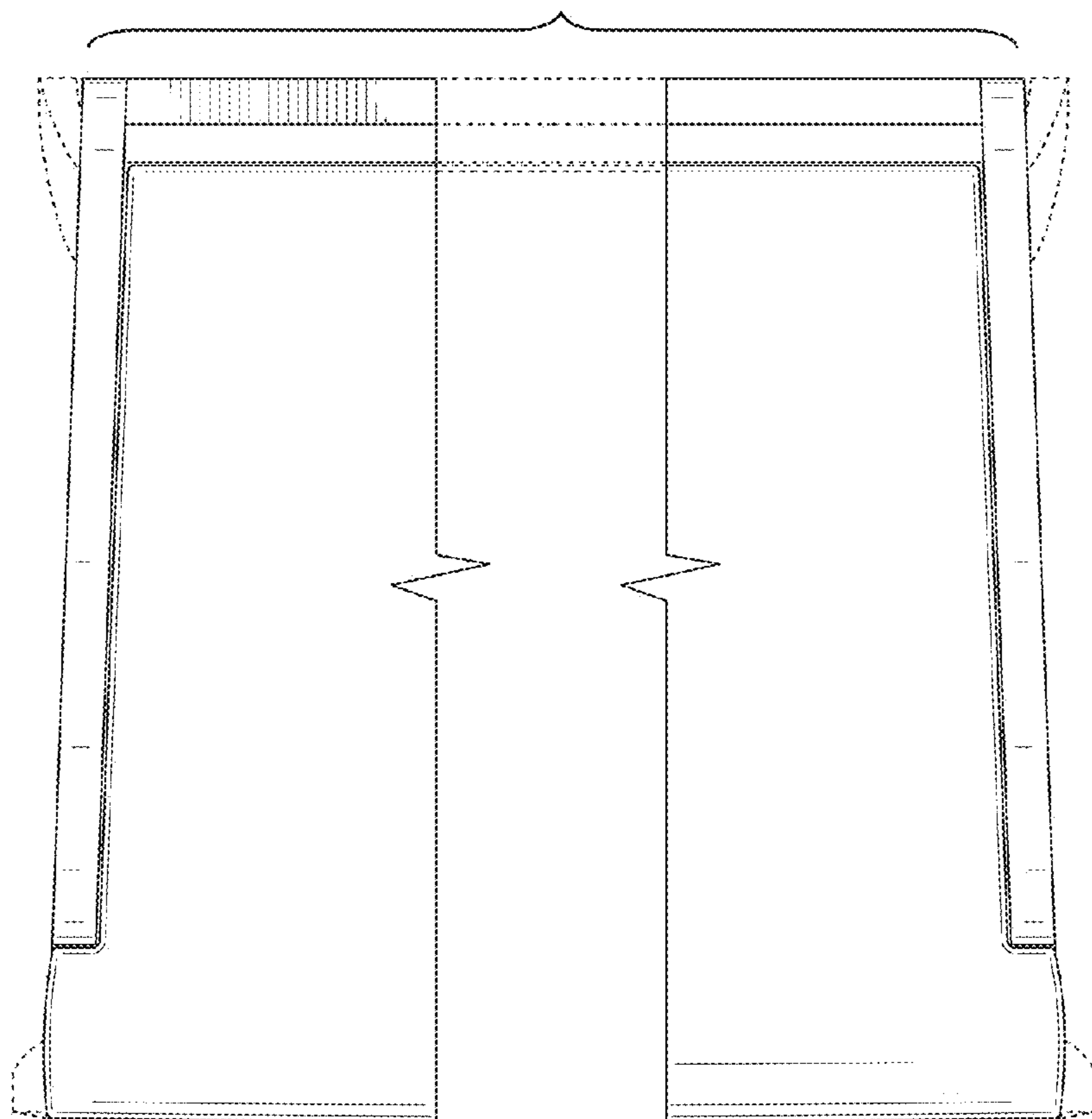


FIG. 13

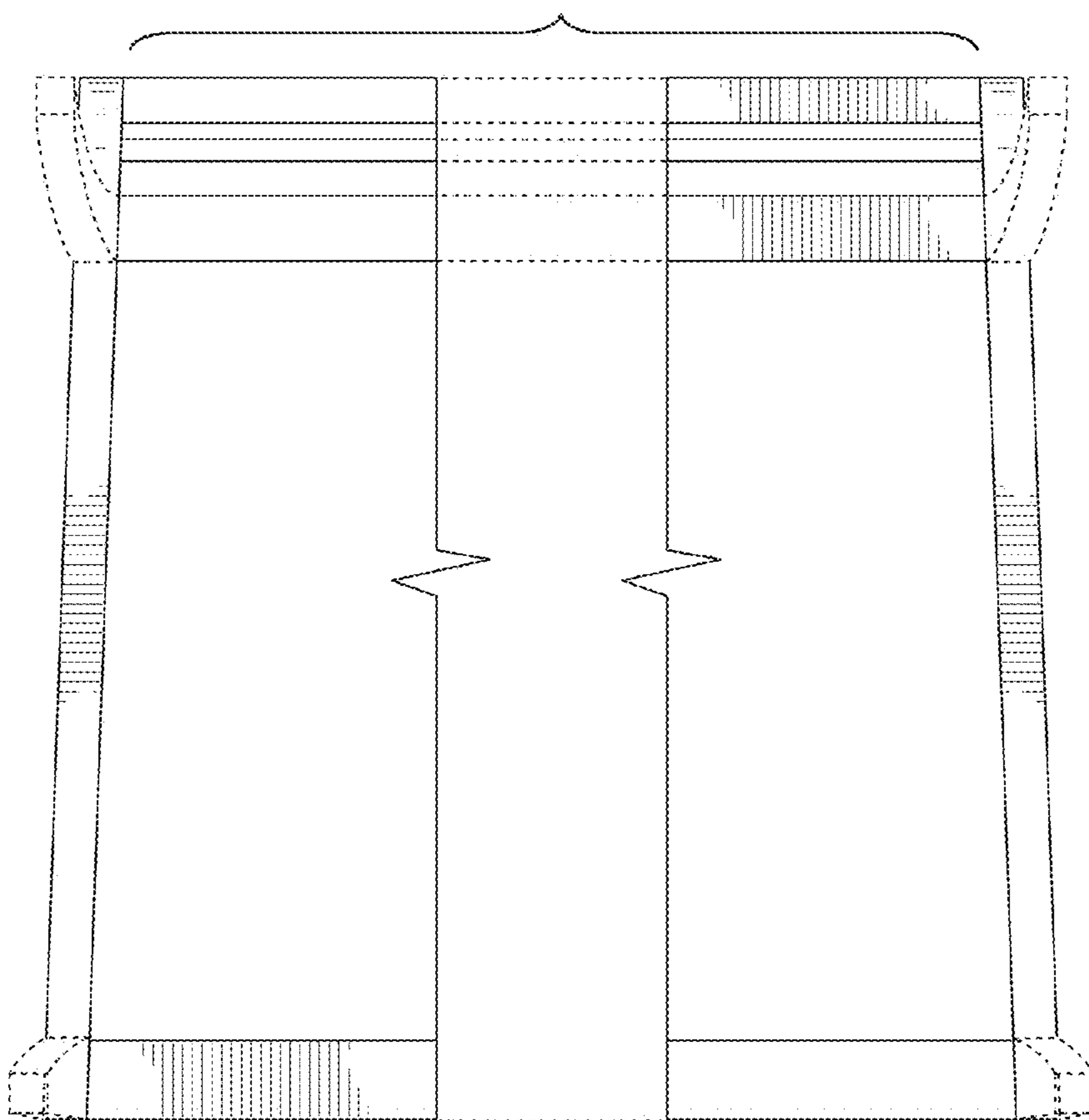


FIG. 14



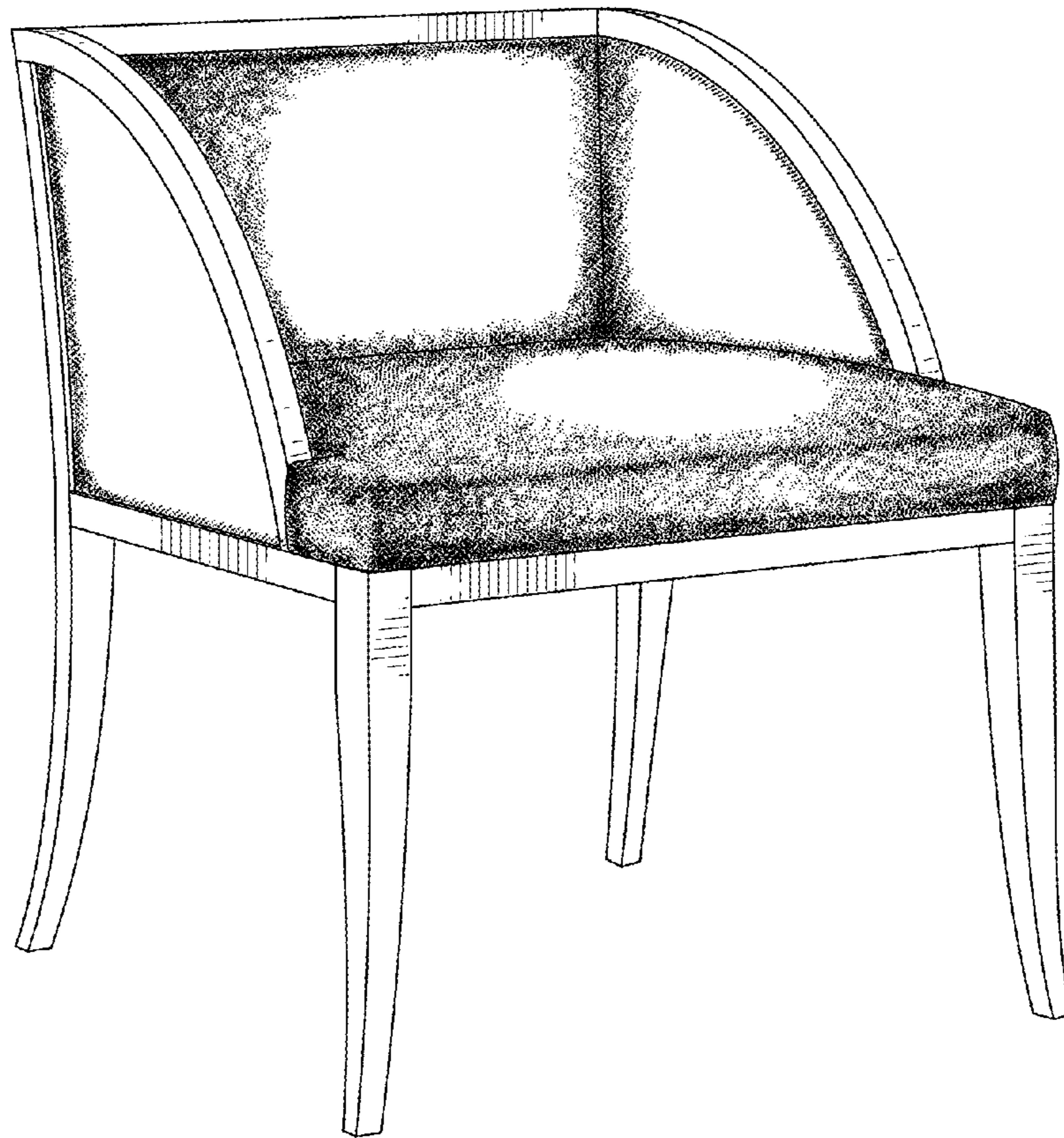


FIG. 15

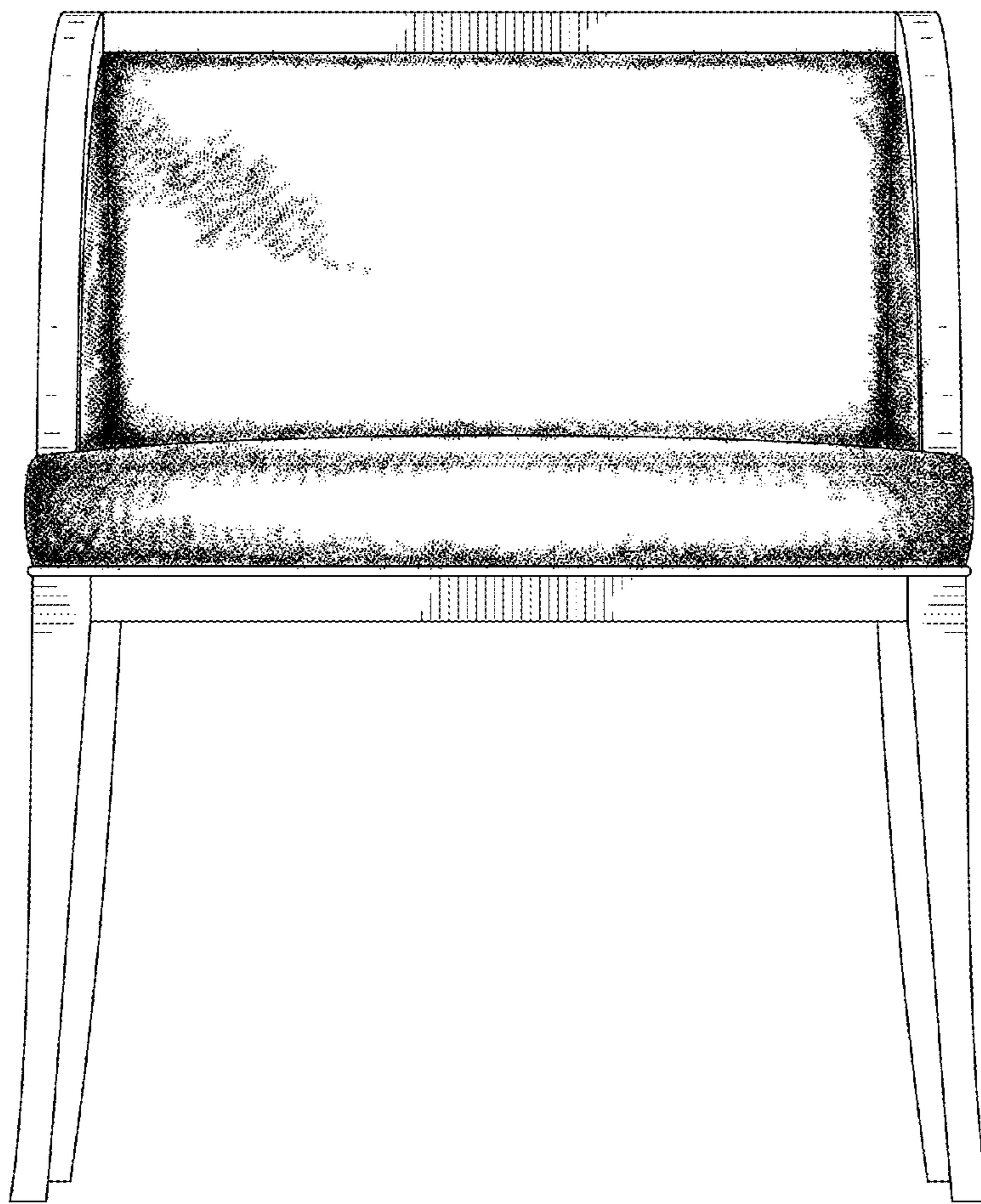


FIG. 16

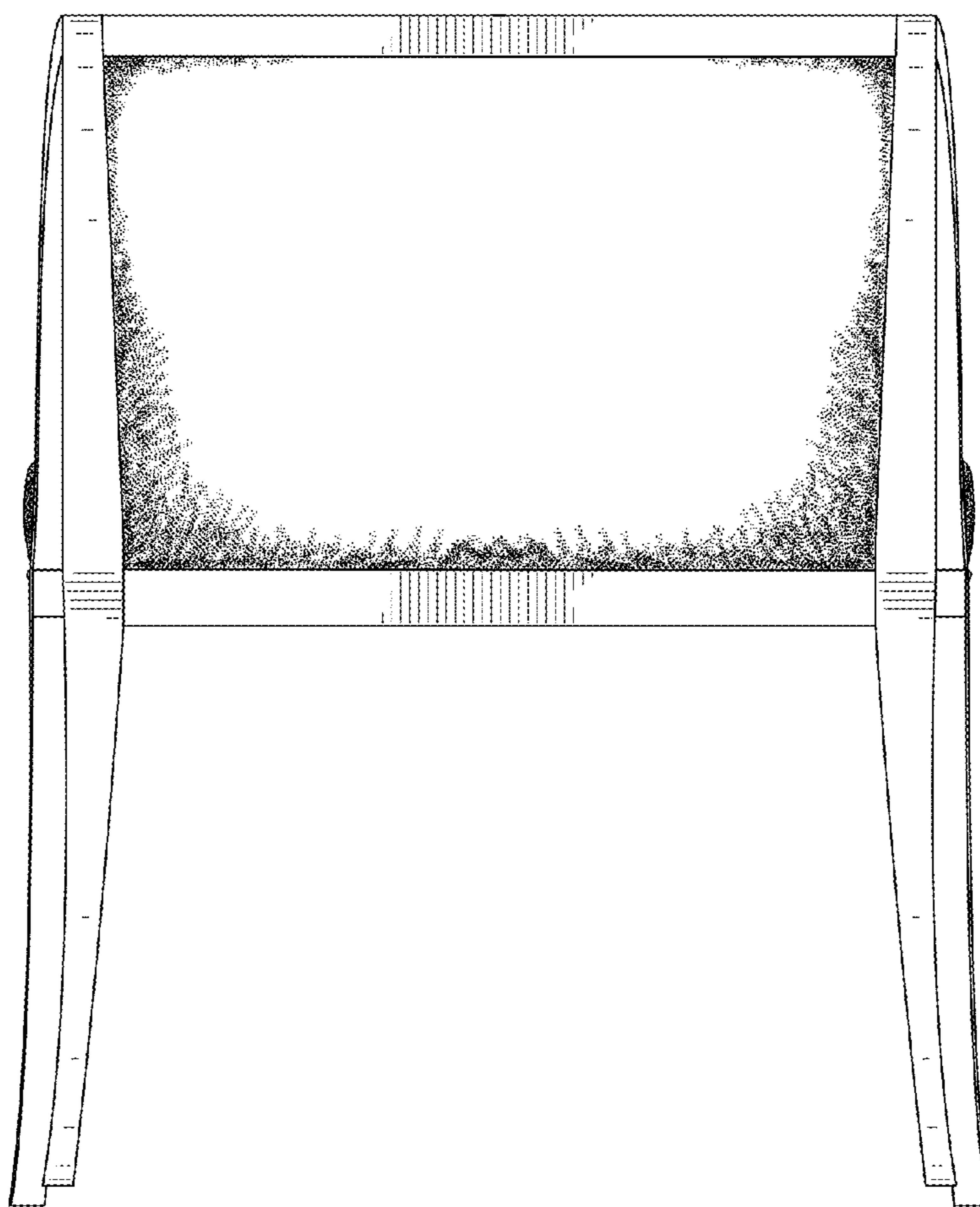


FIG. 17

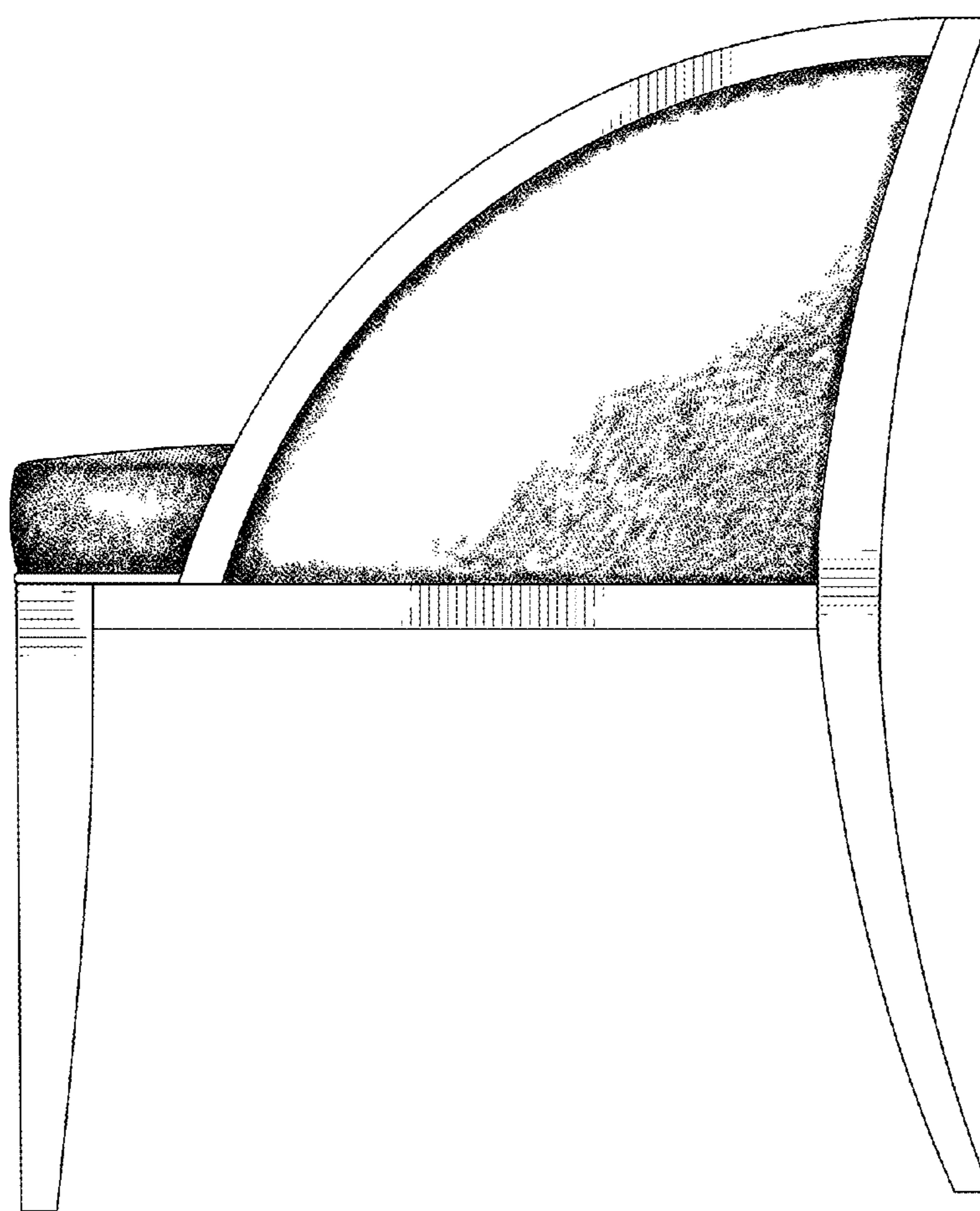


FIG. 18

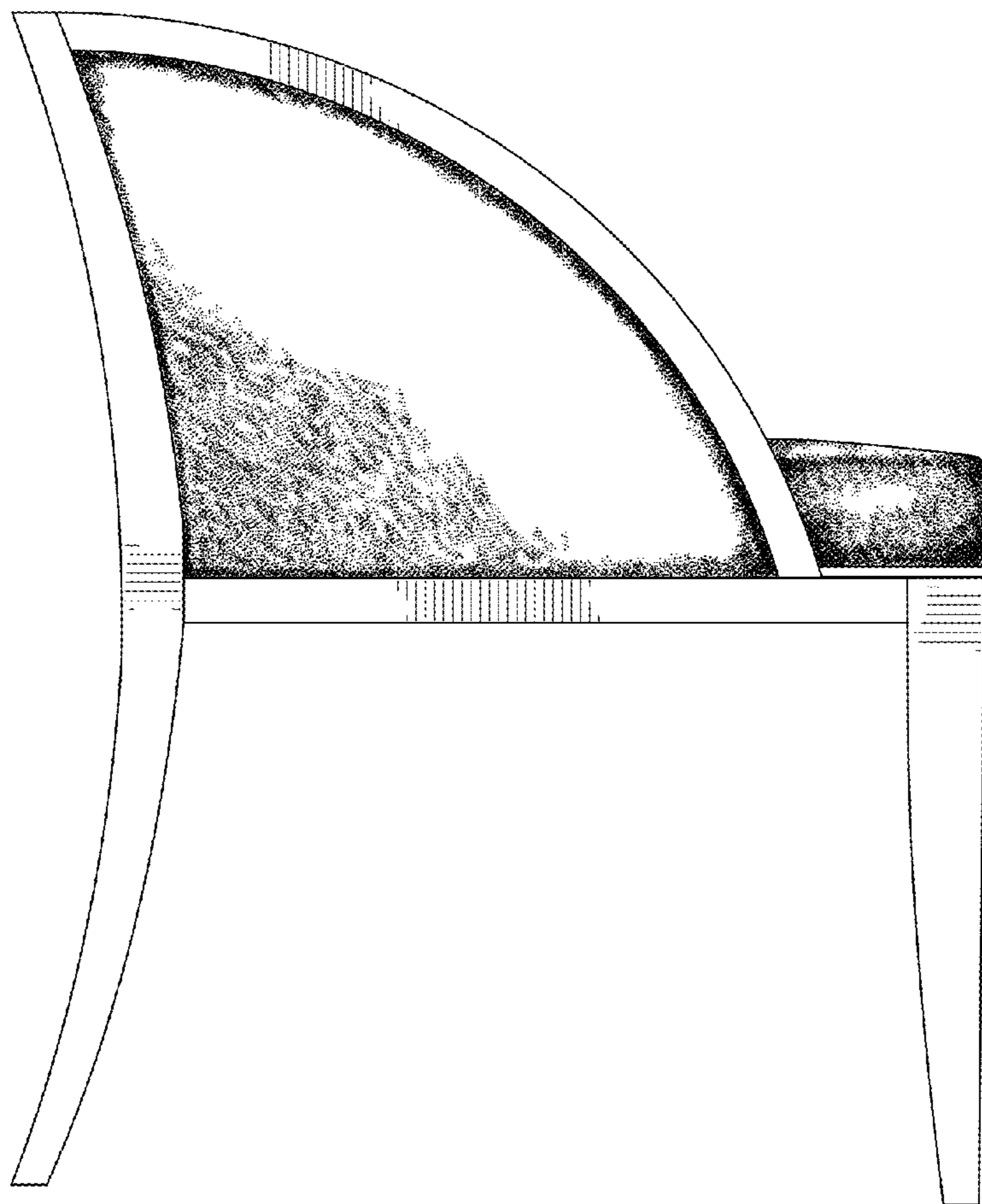
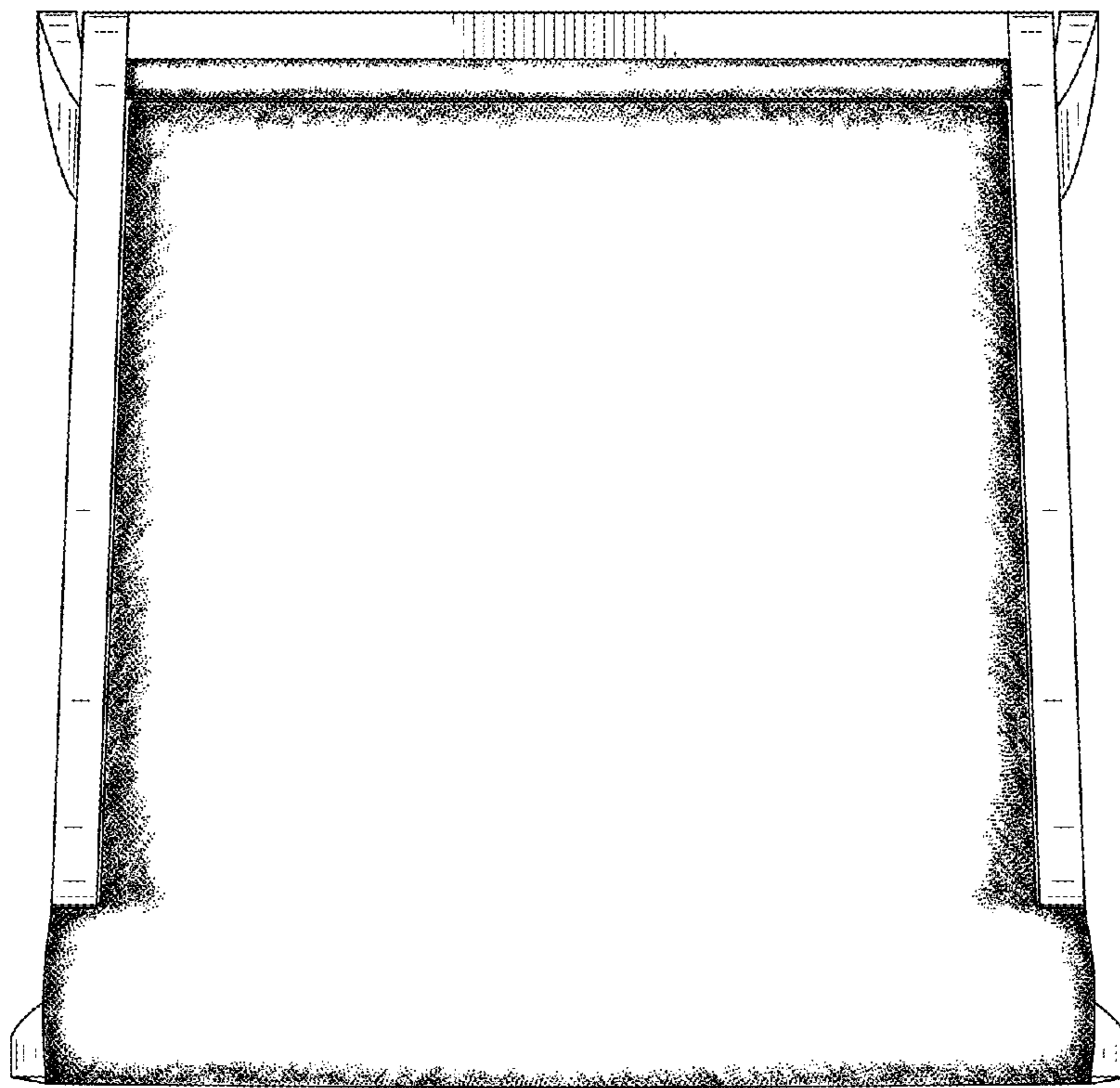
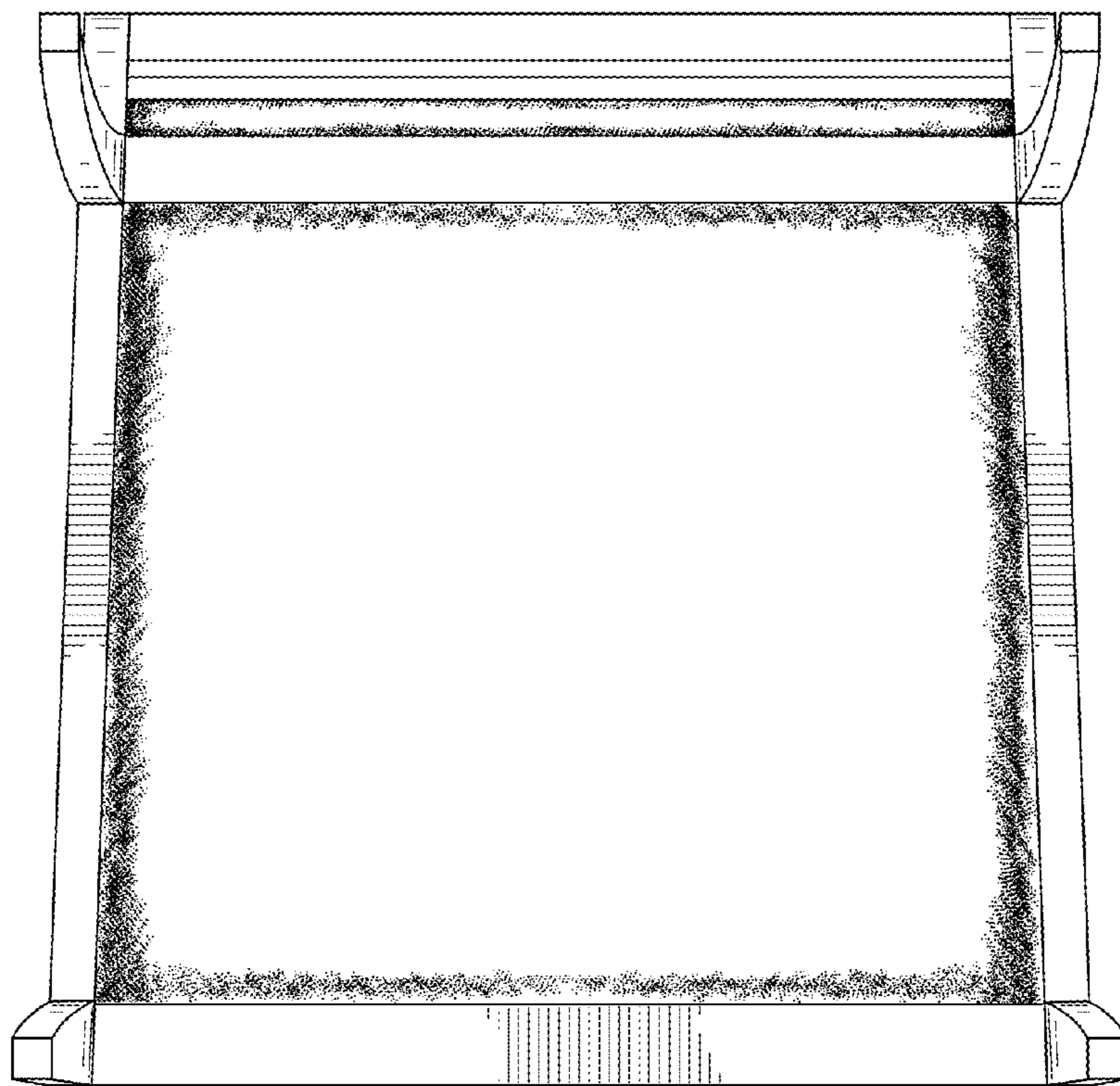


FIG. 19



**FIG. 20**



**FIG. 21**