



US00D716062S

(12) **United States Design Patent**
Gouldson

(10) **Patent No.:** **US D716,062 S**

(45) **Date of Patent:** **** Oct. 28, 2014**

(54) **GARMENT HANGER WITH FEMALE CONNECTOR ON HANGER BEAM**

(71) Applicant: **Braiform Group Pty Ltd**, Carrum Downs (AU)

(72) Inventor: **Stanley F. Gouldson**, Northport, NY (US)

(73) Assignee: **Braiform Group Pty Ltd.**, Carrum Downs, Victoria (AU)

(**) Term: **14 Years**

(21) Appl. No.: **29/465,680**

(22) Filed: **Aug. 30, 2013**

(51) **LOC (10) Cl.** **06-08**

(52) **U.S. Cl.**
USPC **D6/326**

(58) **Field of Classification Search**
CPC ... A47G 25/28; A47G 25/487; A47G 25/485;
A47G 25/473; A47G 25/66; A47G 25/36;
A47G 25/48; A47G 25/50; A47G 25/34;
A47G 25/445; A47G 2025/1492; A47F
5/0006; A47F 7/19
USPC D6/315-328; 223/85-98; 211/10, 13.1,
211/85.2, 87.01, 113
See application file for complete search history.

(56) **References Cited**

U.S. PATENT DOCUMENTS

D225,151 S * 11/1972 Hart D6/326
D229,810 S * 1/1974 Wahl D6/326
D234,243 S 2/1975 Lindemann

D301,661 S 6/1989 Wilson
D415,357 S 10/1999 Blanchard
D417,557 S 12/1999 Blanchard
D424,817 S 5/2000 Morgan et al.
D440,409 S 4/2001 Blanchard
D464,814 S 10/2002 De Winter et al.
D472,062 S 3/2003 Yegavian et al.
D498,936 S 11/2004 Gouldson
D502,011 S 2/2005 Gouldson
7,832,604 B2 11/2010 Gouldson
8,267,287 B2 9/2012 Gouldson
2007/0199965 A1 8/2007 Gouldson
2010/0019004 A1 1/2010 Gouldson

* cited by examiner

Primary Examiner — Derrick Holland

Assistant Examiner — Lauren Calve

(74) *Attorney, Agent, or Firm* — Scully, Scott, Murphy & Presser P.C.

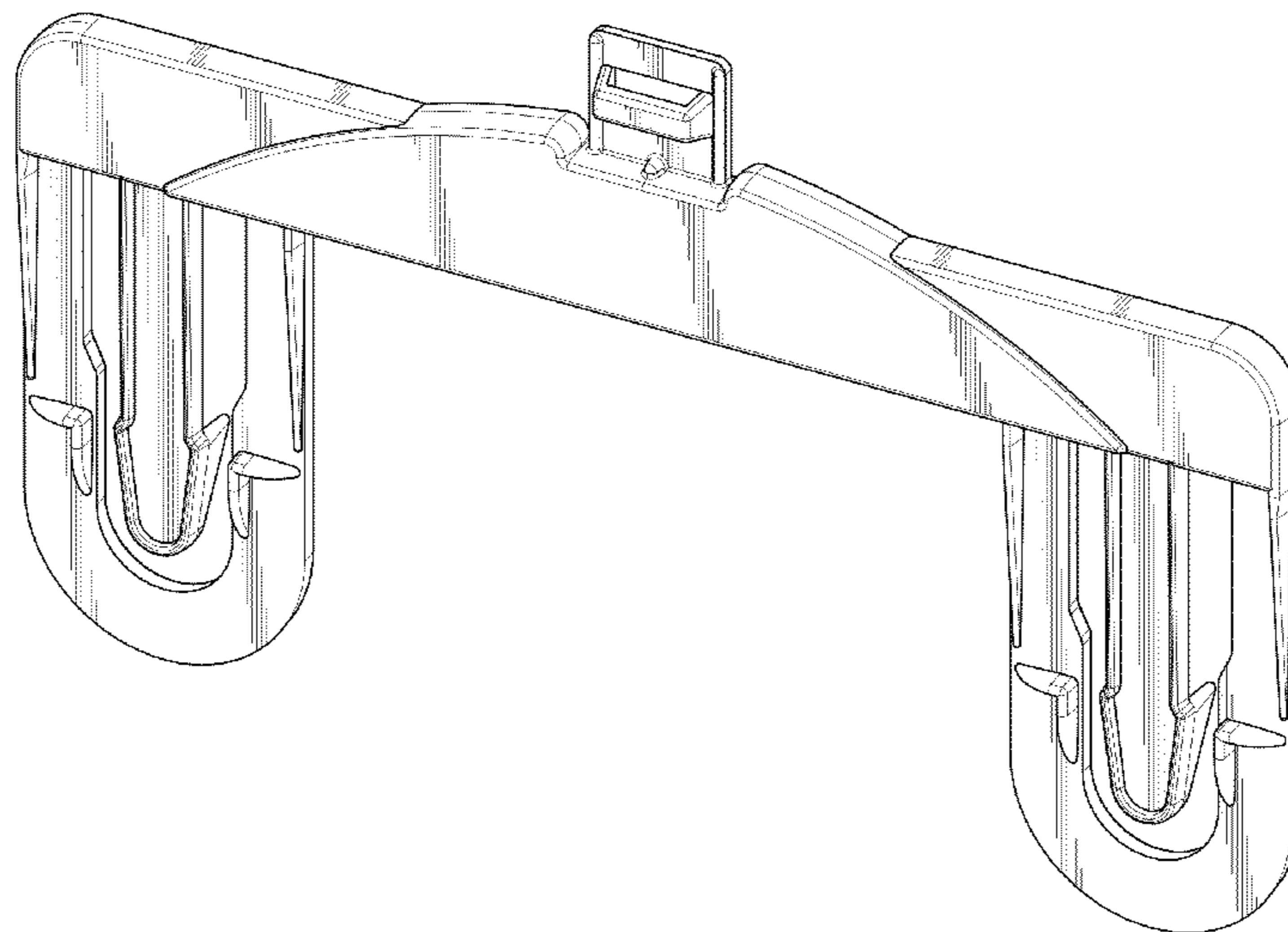
(57) **CLAIM**

The ornamental design for a garment hanger with female connector on hanger beam, as shown.

DESCRIPTION

FIG. 1 is a perspective view of a garment hanger with female connector on hanger beam showing my new design; FIG. 2 is a front elevation view thereof; FIG. 3 is a rear elevation view thereof; FIG. 4 is a side elevation view thereof; FIG. 5 is an opposite side elevation view thereof; FIG. 6 is a top plan view thereof; and, FIG. 7 is a bottom plan view thereof.

1 Claim, 4 Drawing Sheets



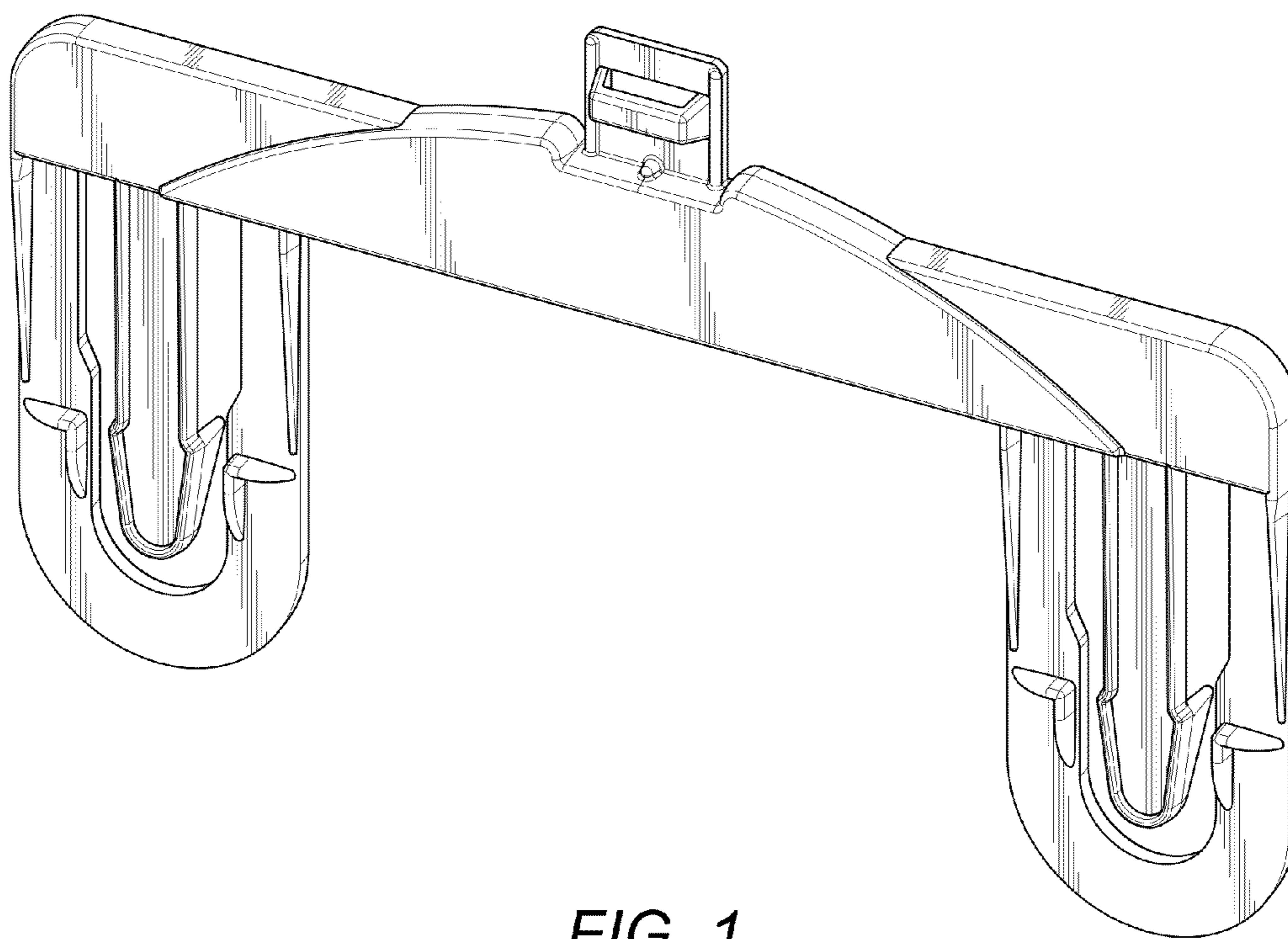


FIG. 1

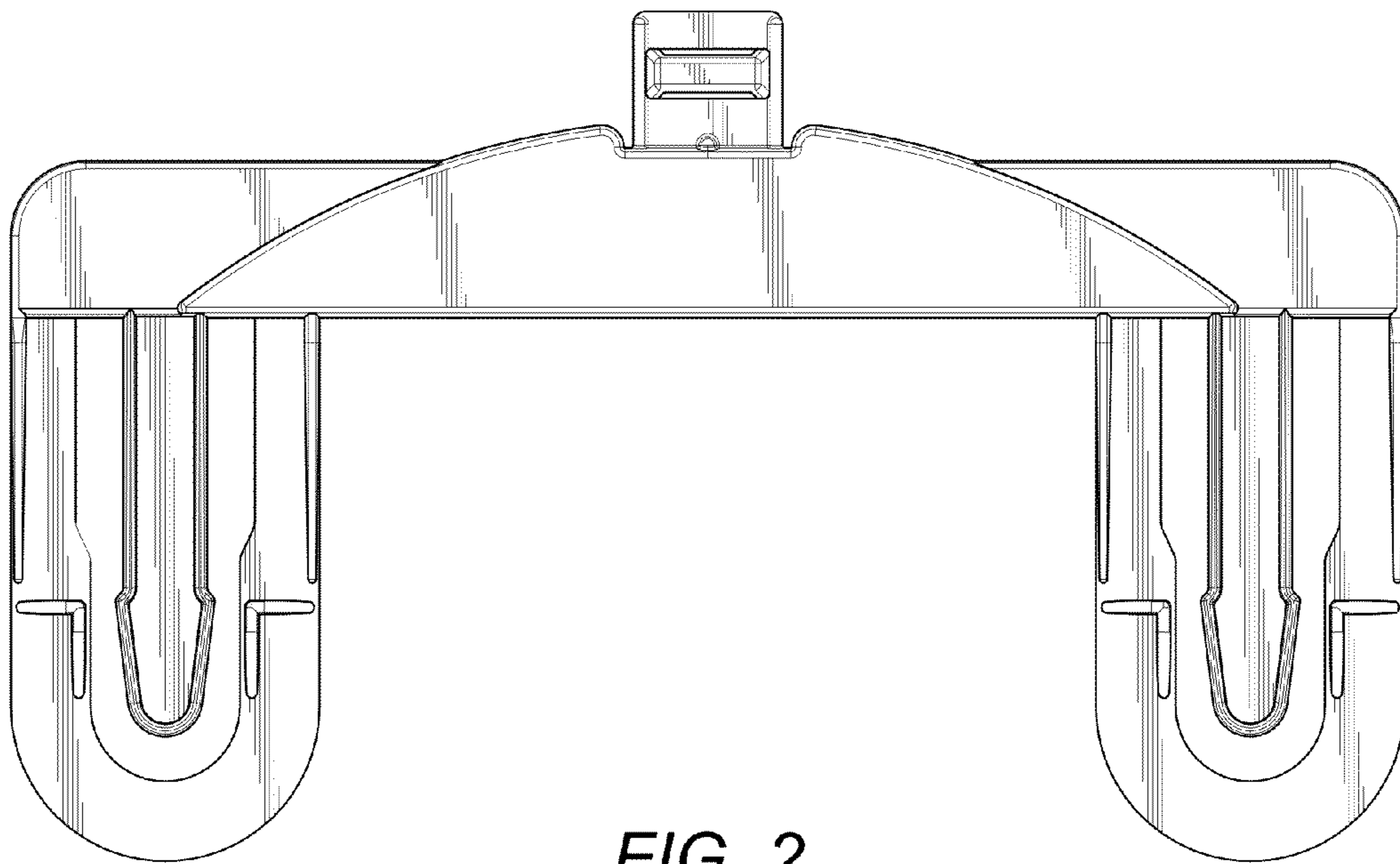


FIG. 2

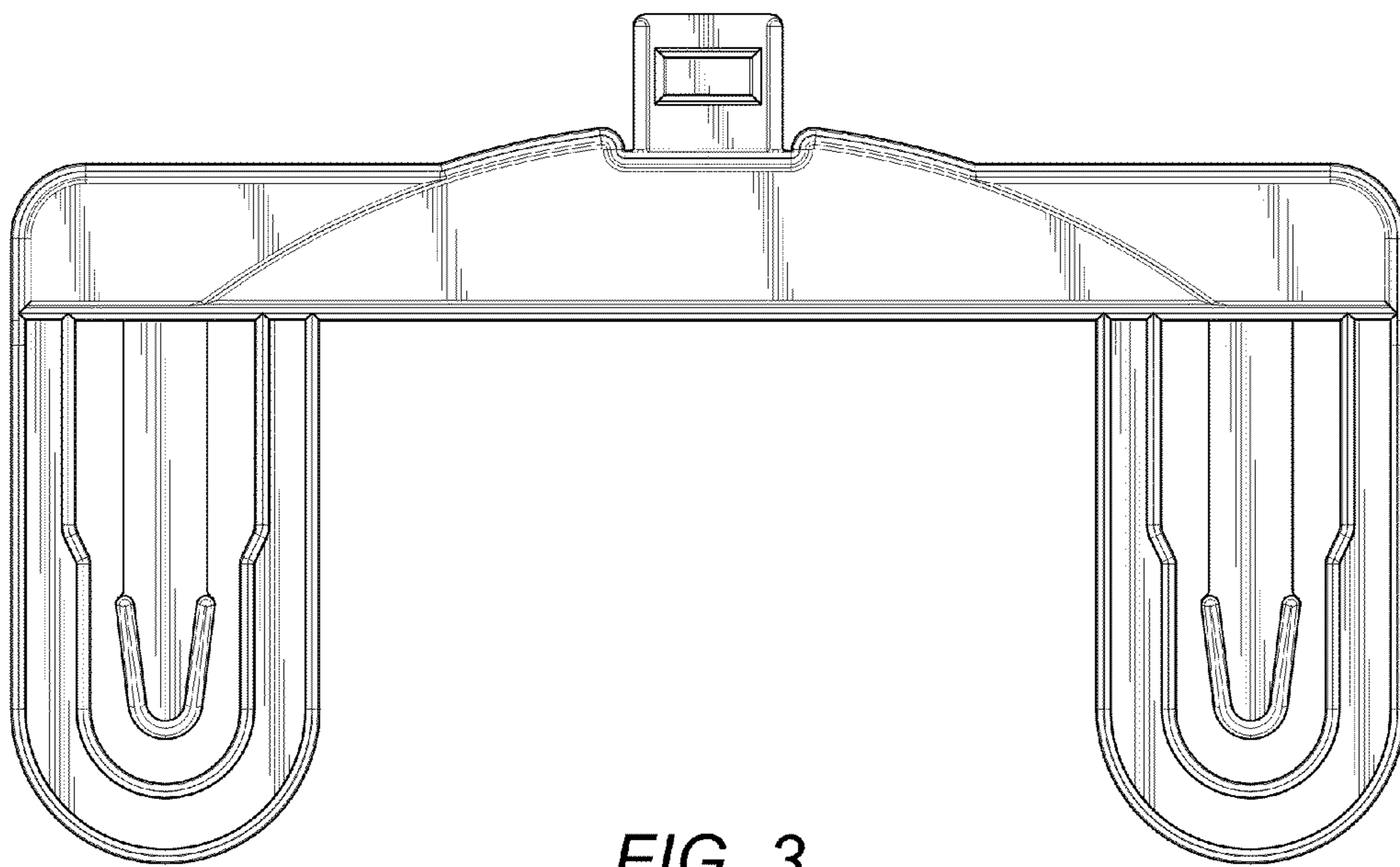


FIG. 3

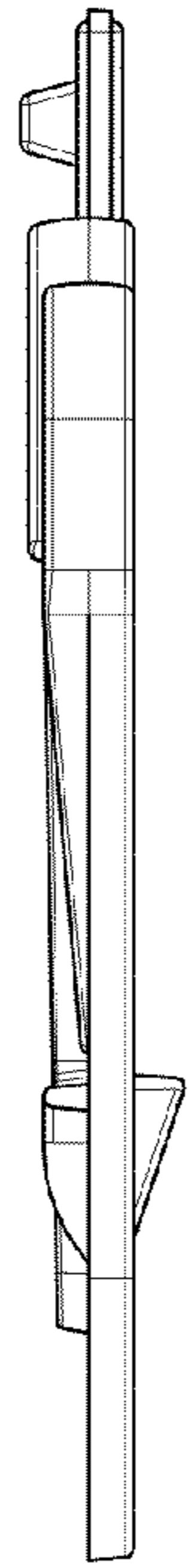


FIG. 4

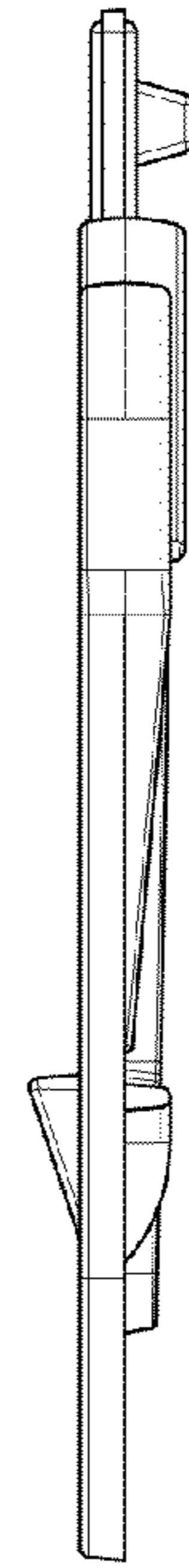


FIG. 5

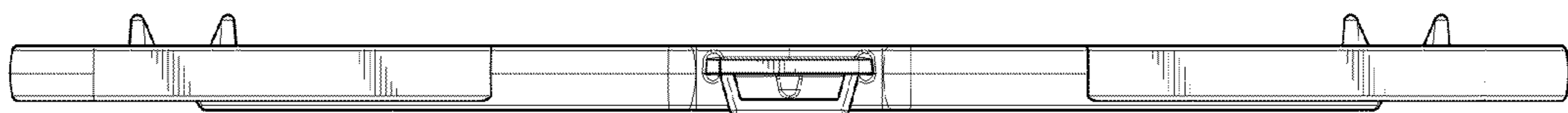


FIG. 6

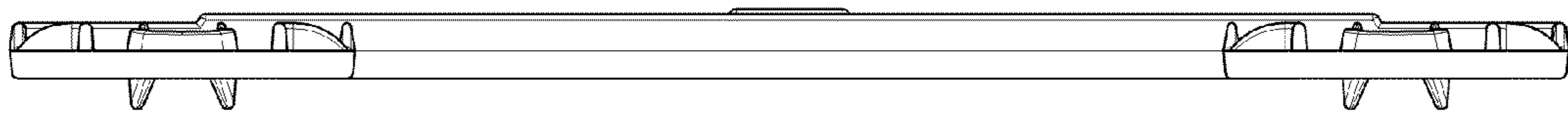


FIG. 7