



US00D716055S

(12) **United States Design Patent**
Kassem Llano et al.

(10) **Patent No.:** **US D716,055 S**
(45) **Date of Patent:** **** Oct. 28, 2014**

(54) **TOOL HANDLE HEAD**

FOREIGN PATENT DOCUMENTS

(71) Applicant: **3M Innovative Properties Company**,
St. Paul, MN (US)

JP 11244211 A * 9/1999 A47L 13/42
KR 30-0623203 S * 12/2011

(72) Inventors: **Adel M. Kassem Llano**, Milan (IT);
Martin E. Broen, Milan (IT); **Giuseppe De Bellis**, Milanese (IT); **Lloyd S. Vasilakes**, Stillwater, MN (US); **Monica Jerez**, Woodbury, MN (US); **Valentina Tronconi**, Milan (IT)

OTHER PUBLICATIONS

AU 315258 S Registered Design, (E.D. Oates Pty Ltd) Jul. 20, 2007, [online], [retrieved on May 22, 2014] Retrieved from the AU Designs Data Searching Database of the Australian Government, IP Australia using the Internet: <URL: <http://www.ipaustralia.gov.au>>.*

(Continued)

(73) Assignee: **3M Innovative Properties Company**,
St. Paul, MN (US)

Primary Examiner — Melanie H Tung

Assistant Examiner — Lavone D Tabor

(**) Term: **14 Years**

(74) *Attorney, Agent, or Firm* — Irina Hass

(21) Appl. No.: **29/433,385**

(57) **CLAIM**

The ornamental design for a tool handle head, as shown and described.

(22) Filed: **Sep. 28, 2012**

(51) **LOC (10) Cl.** **04-01**

(52) **U.S. Cl.**

USPC **D4/138**; D4/199

(58) **Field of Classification Search**

CPC A46B 2200/30; A46B 2200/302;
A46B 2200/3033; A46B 2200/304; A46B
2200/3046; A46B 17/08; A47L 9/32; A47L
9/322; A47L 13/20; A47L 13/42

USPC D4/131–136, 138, 199; D7/393, 395,
D7/402.1; D8/107, 303, 321; D32/35,
D32/50–52, 17, 25, 34; 15/143.1, 159.1,
15/160, 146, 147.1, 168–171, 246, 410;
16/110.1, 421, 422

See application file for complete search history.

DESCRIPTION

FIG. 1 is a perspective view showing the new design for a tool handle head;

FIG. 2 is a left side view thereof, a right side view being a mirror image thereof;

FIG. 3 is a front view thereof;

FIG. 4 is a rear view thereof;

FIG. 5 is a top view thereof;

FIG. 6 is a bottom view thereof; and,

FIG. 7 is a reduced perspective view showing the tool handle head attached to a cleaning tool.

The broken lines that are adjacent to the surface shading illustrate boundaries that form no part of the claimed design and the broken lines showing a handle in FIGS. 1-4 and 6 and a cleaning tool in FIG. 7 illustrate environmental structure of the tool handle head that forms no part of the claimed design. In addition, the surface shading illustrated in the drawings is provided merely to highlight the contour of design; it is not intended to be illustrative of texture or gloss.

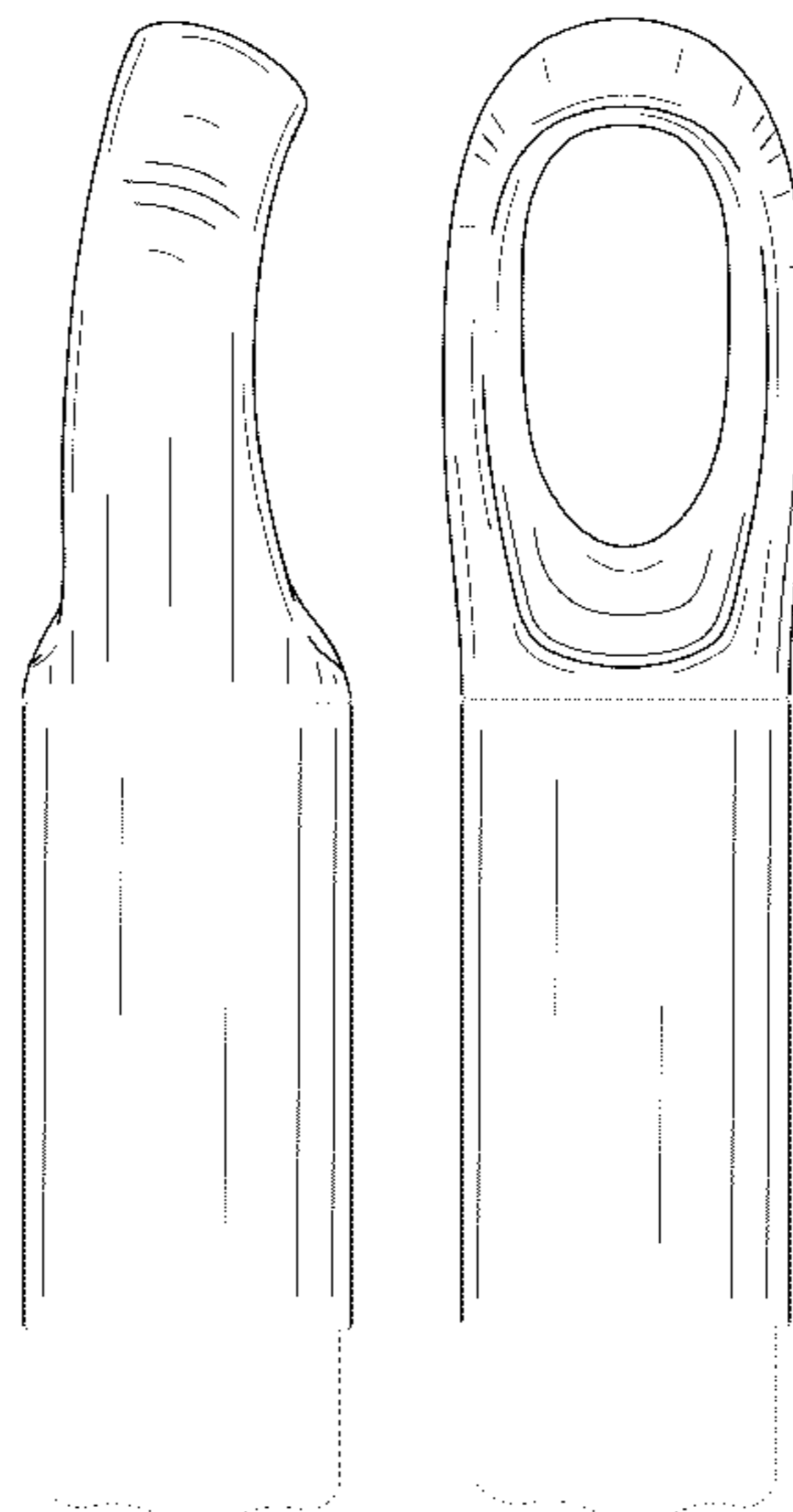
(56) **References Cited**

U.S. PATENT DOCUMENTS

D33,821 S * 1/1901 Lewis D4/138
D304,993 S * 12/1989 Sunila D8/107

(Continued)

1 Claim, 4 Drawing Sheets



(56)

References Cited

U.S. PATENT DOCUMENTS

D330,321 S * 10/1992 Berti D8/107
D438,354 S * 2/2001 Cann D32/35
D540,617 S * 4/2007 Dotterman et al. D7/393
7,260,865 B2 * 8/2007 Lesley et al. 15/120.1
D552,314 S * 10/2007 Harper et al. D32/40

OTHER PUBLICATIONS

“Cleaning PVC Coated Wooden Broom Handle”, Pakuya.com, [retrieved from the internet on Apr. 9, 2013], <<http://sell.pakuya.com/product-info/57238/Cleaning-PVC-coated-wooden-broom-handle.html>>, 1 page.

“Wooden Broom Handle Covered with PVC”, Guigang Senlian Trading Co., Ltd., [retrieved from the internet on Apr. 9, 2013], <http://senlian.en.alibaba.com/product/503076603-213078721/Wooden_Broom_Handle_covered_with_PVC.html>, 5 pages.

“Metallic Broom Handles—Caps”, Spinelli-group.com, [retrieved from the internet on Apr. 9, 2013], <<http://www.spinelli-group.com>>, 2 pages.

* cited by examiner

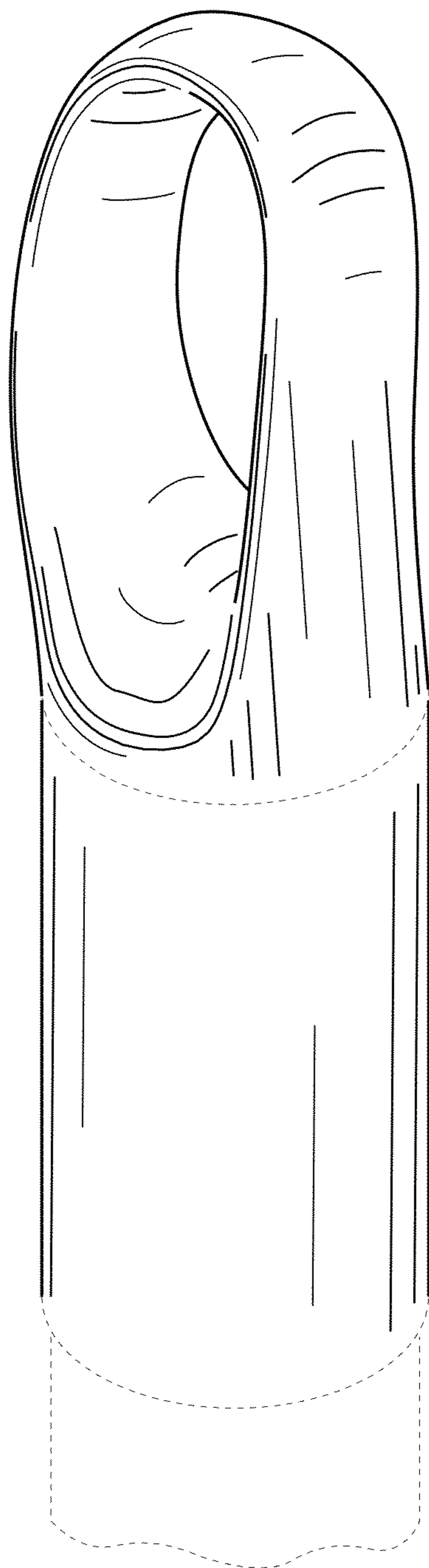


FIG. 1

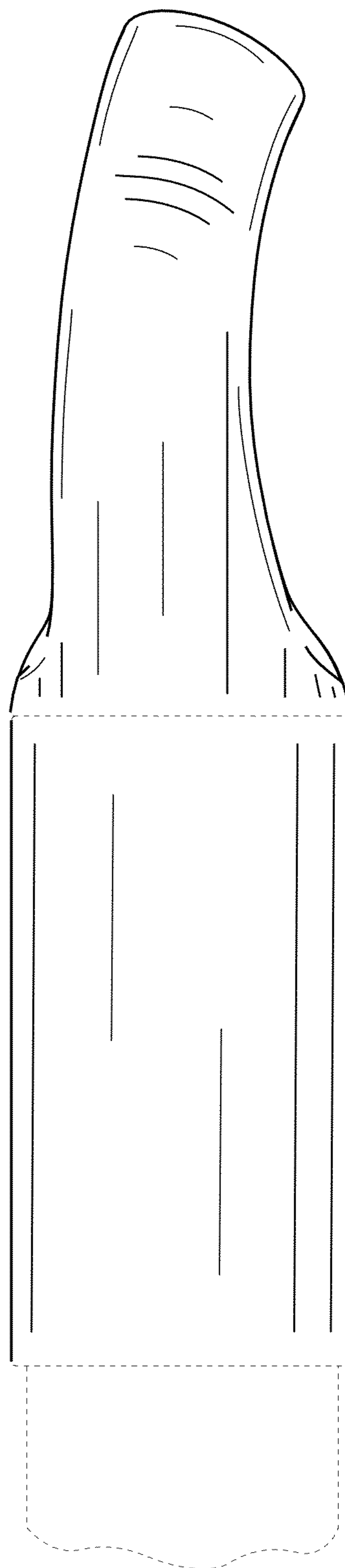


FIG. 2

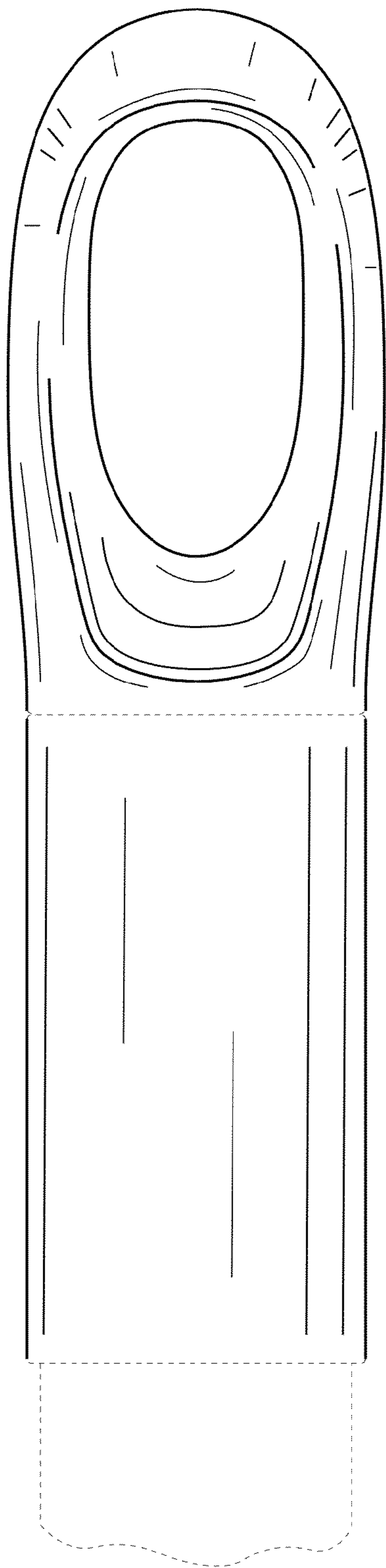


FIG. 3

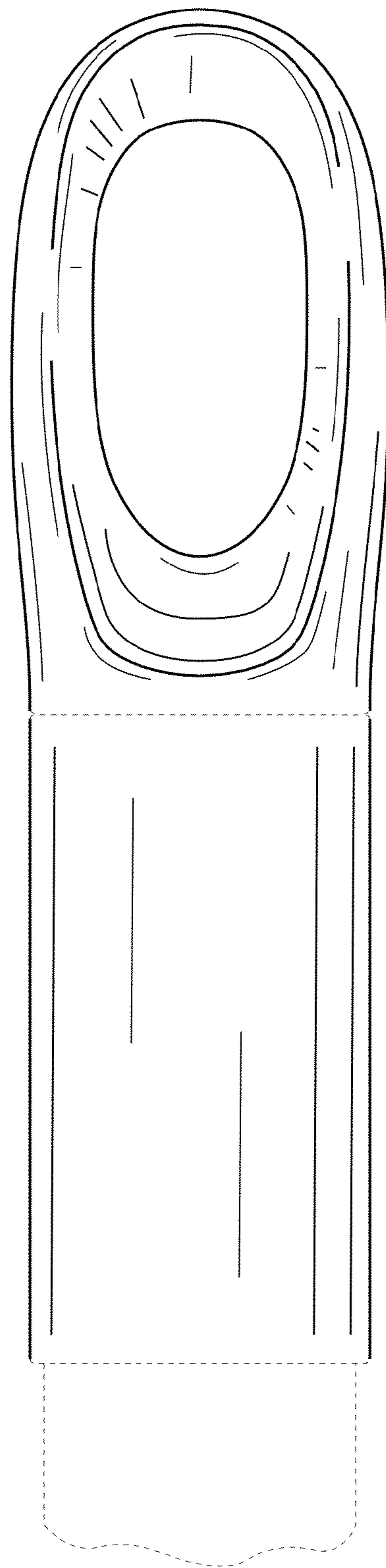


FIG. 4

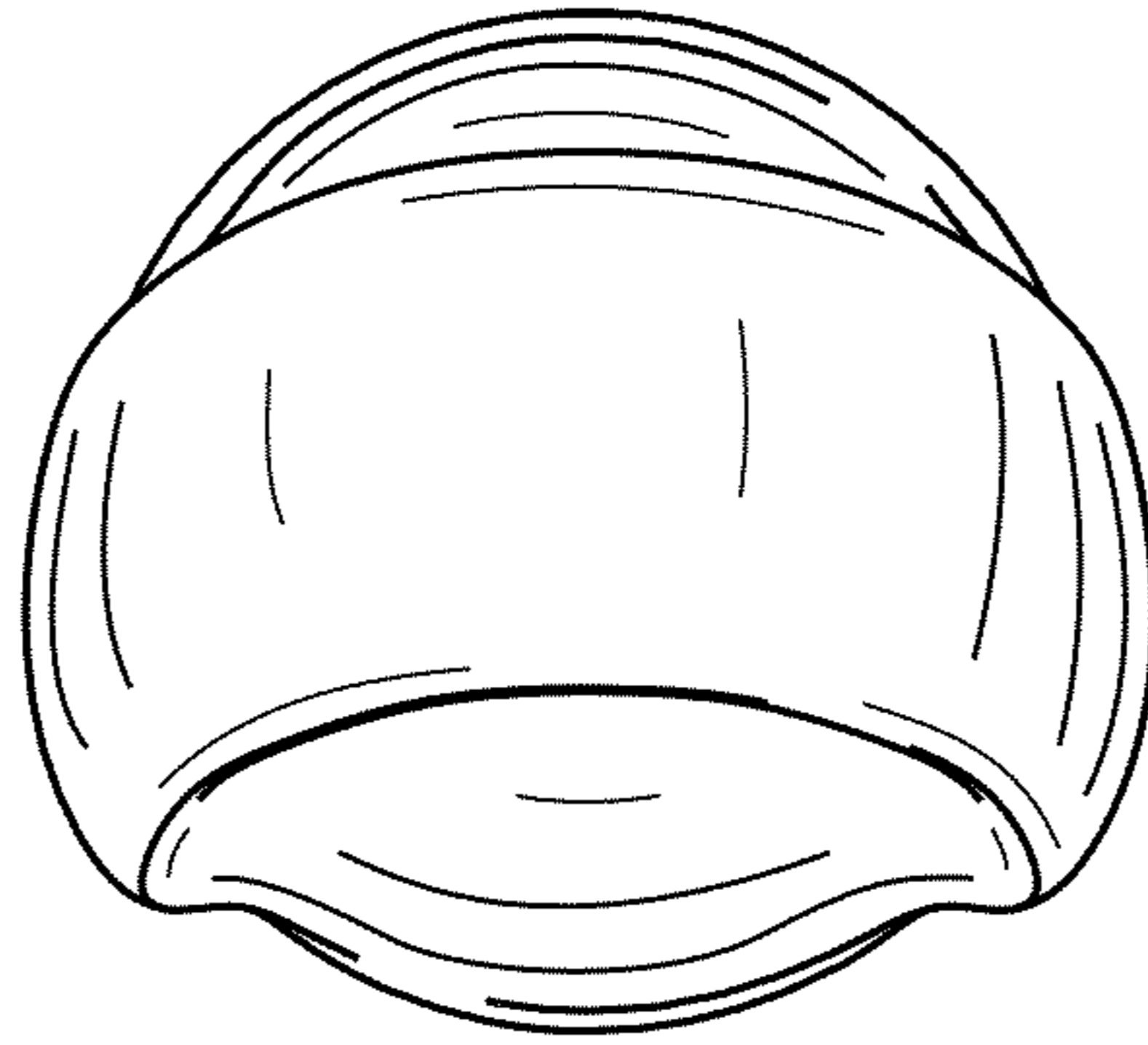


FIG. 5

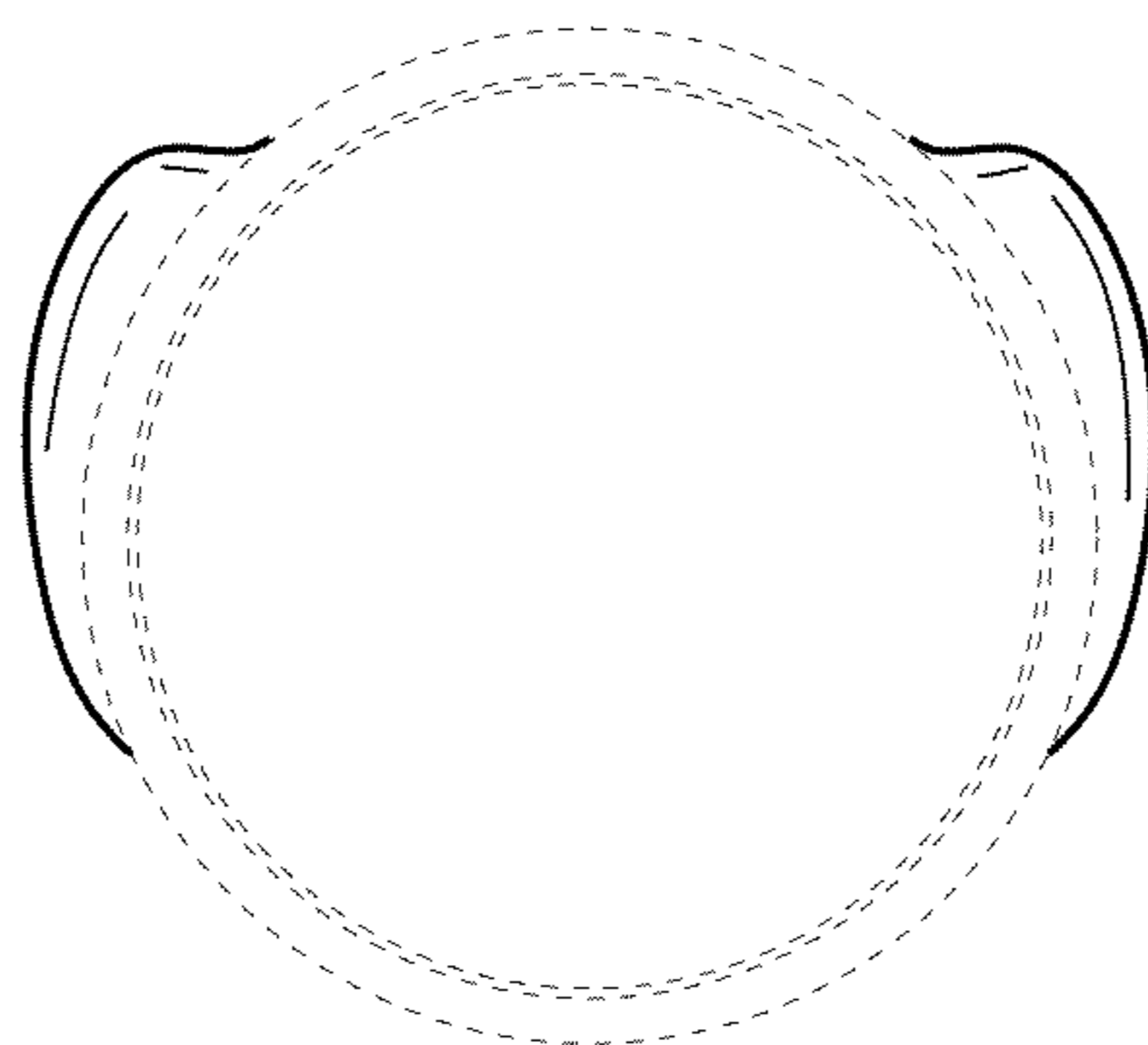


FIG. 6

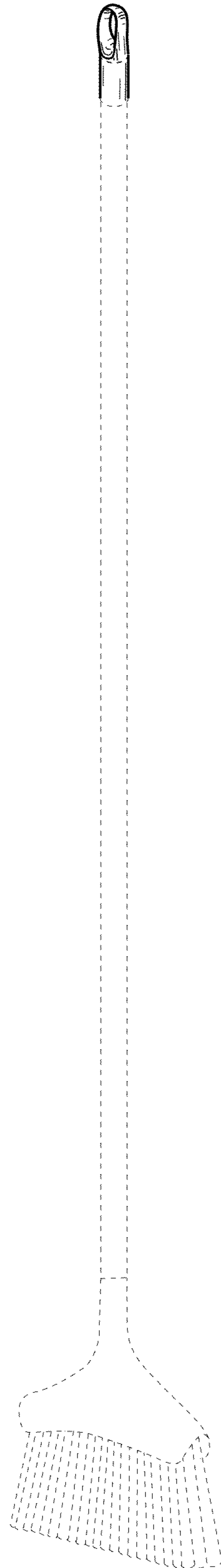


FIG. 7