



US00D716051S

(12) **United States Design Patent**
Fischer

(10) **Patent No.:** **US D716,051 S**

(45) **Date of Patent:** **** Oct. 28, 2014**

(54) **LUGGAGE OR HANDBAG HANDLE**

(74) *Attorney, Agent, or Firm* — Synthesis Intellectual Property LLC

(71) Applicant: **The Fischer Bag Company**, Chicago, IL (US)

(57) **CLAIM**

The ornamental design for a luggage or handbag handle, as shown and described.

(72) Inventor: **Steven Fischer**, Evanston, IL (US)

DESCRIPTION

(**) Term: **14 Years**

FIG. 1 is a front perspective view of a design for a luggage or handbag handle;

(21) Appl. No.: **29/456,127**

FIG. 2 is a front view of the handle shown in FIG. 1;

(22) Filed: **May 29, 2013**

FIG. 3 is a rear view of the handle shown in FIG. 1;

(51) **LOC (10) Cl.** **03-01**

FIG. 4 is a left perspective view of the handle shown in FIG. 1;

(52) **U.S. Cl.**
USPC **D3/318**

FIG. 5 is a right perspective view of the handle shown in FIG. 1;

(58) **Field of Classification Search**
CPC A45F 12/08; B65D 5/10
USPC D3/318; 190/18 A, 39
See application file for complete search history.

FIG. 6 is a top view of the handle shown in FIG. 1;

FIG. 7 is a bottom view of the handle shown in FIG. 1;

FIG. 8 is an alternative embodiment of the design for a luggage or handbag handle, the handle having an extended length and including the designed curvature at both ends of the handle; and,

FIG. 9 is a perspective view of the handle shown in FIG. 1, shown in the environment of a portion of luggage with connections, grommets, and rings.

The broken lines showing metal ring attachments are for the purposes of illustrating environment and forms no part of the claimed design. The heavier line weight broken lines represent stitching and are part of the claimed design.

(56) **References Cited**

U.S. PATENT DOCUMENTS

D461,055 S *	8/2002	Szyf	D3/318
D667,222 S *	9/2012	Sanchez	D3/318
D676,659 S *	2/2013	Brunazzi et al.	D3/318

* cited by examiner

Primary Examiner — Holly Baynham

1 Claim, 5 Drawing Sheets

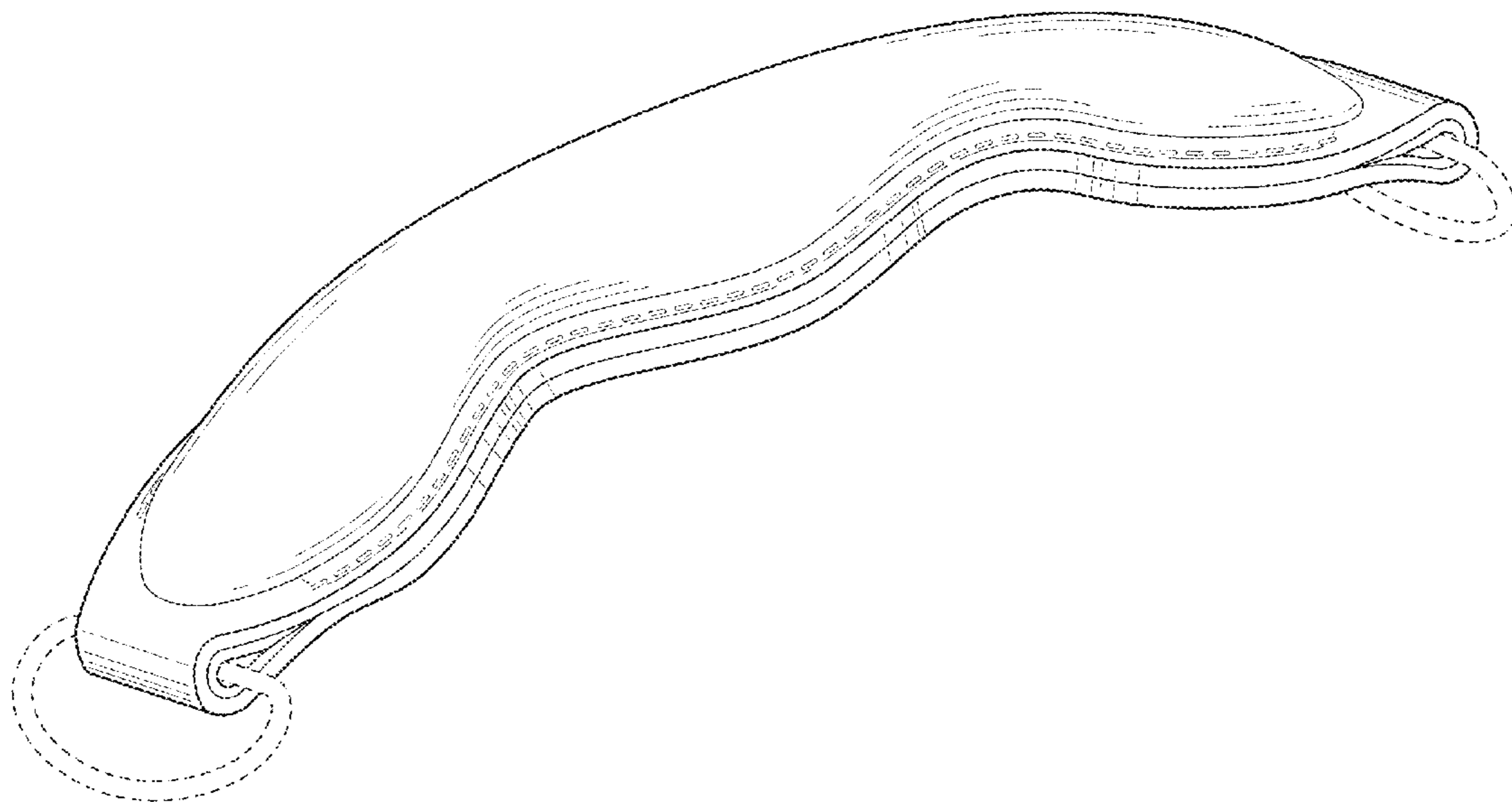




FIG. 1

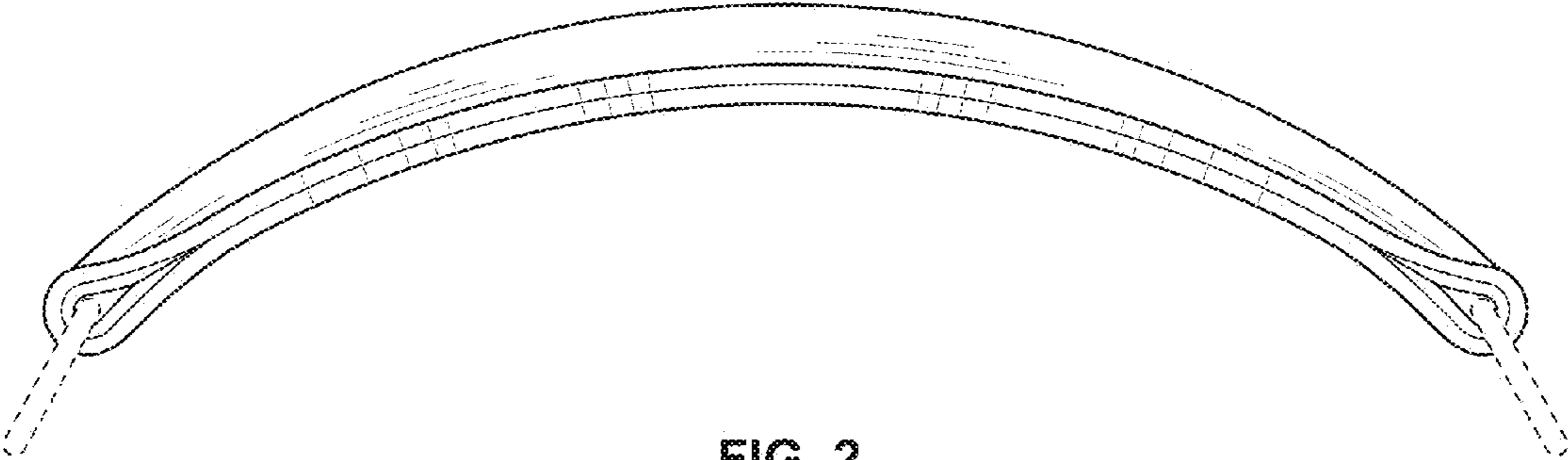


FIG. 2

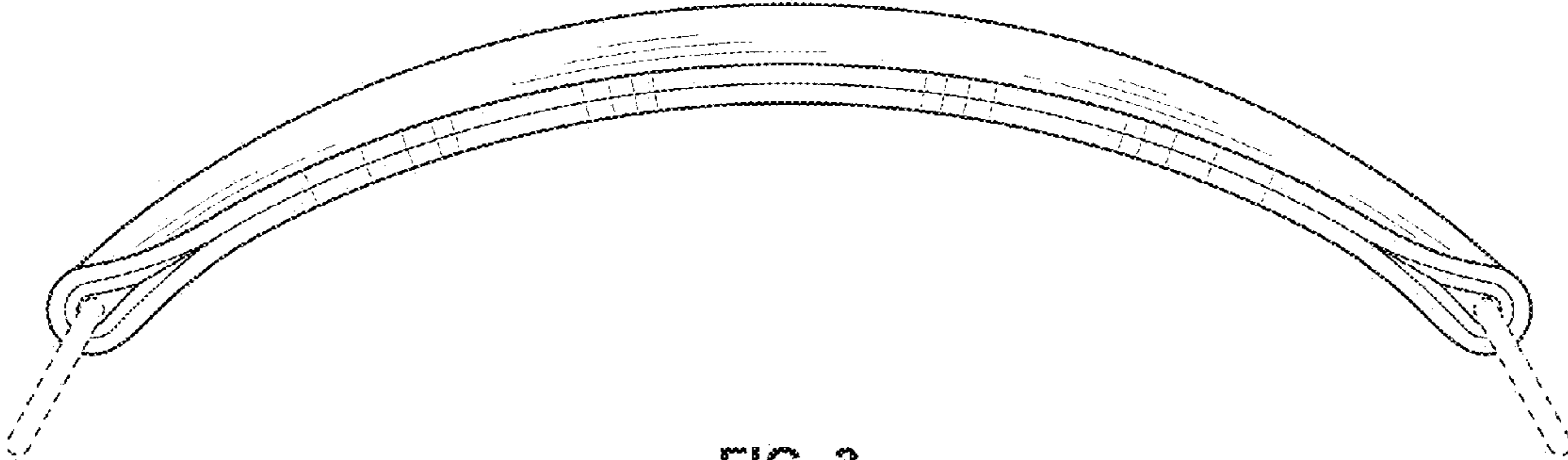


FIG. 3

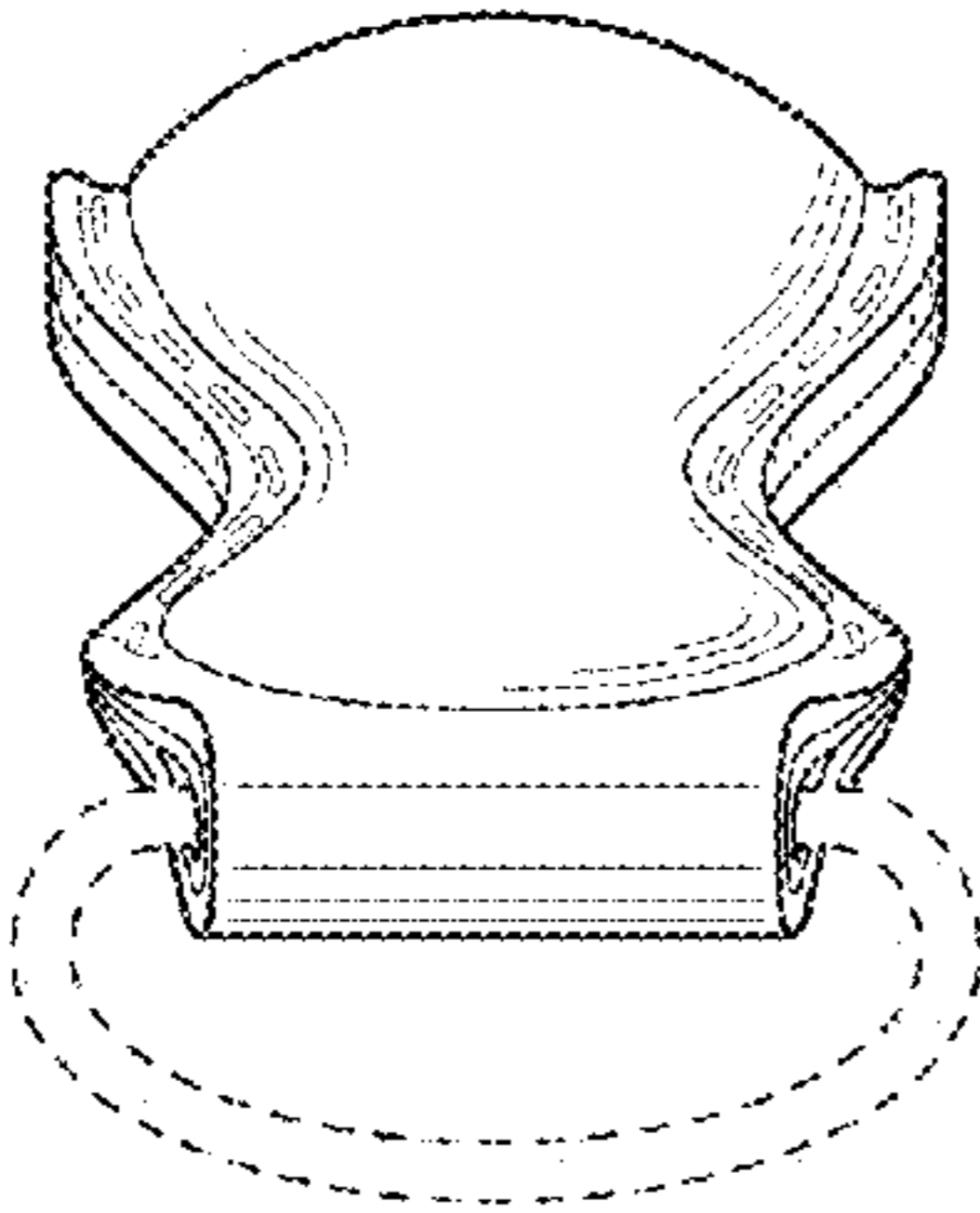


FIG. 4

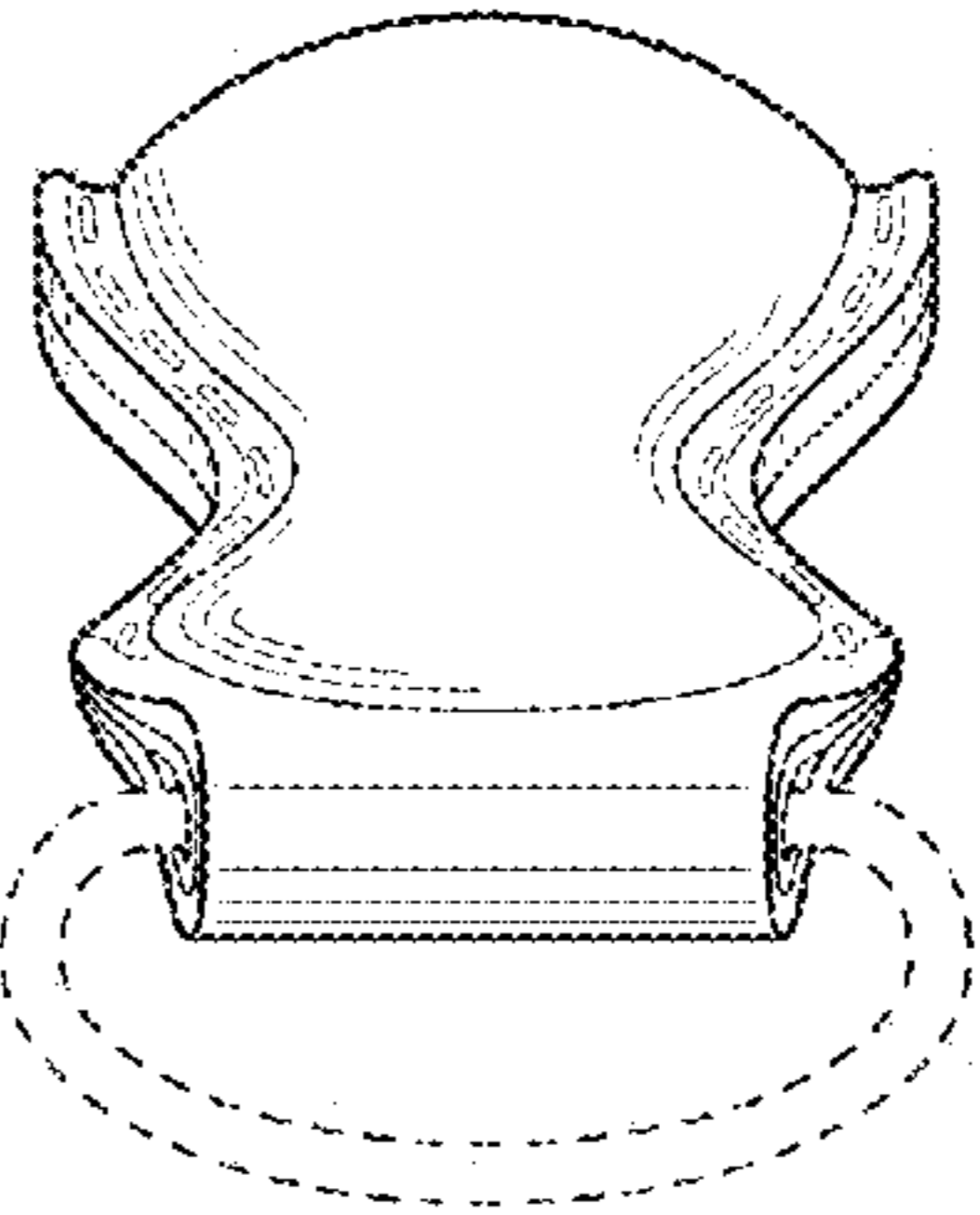


FIG. 5

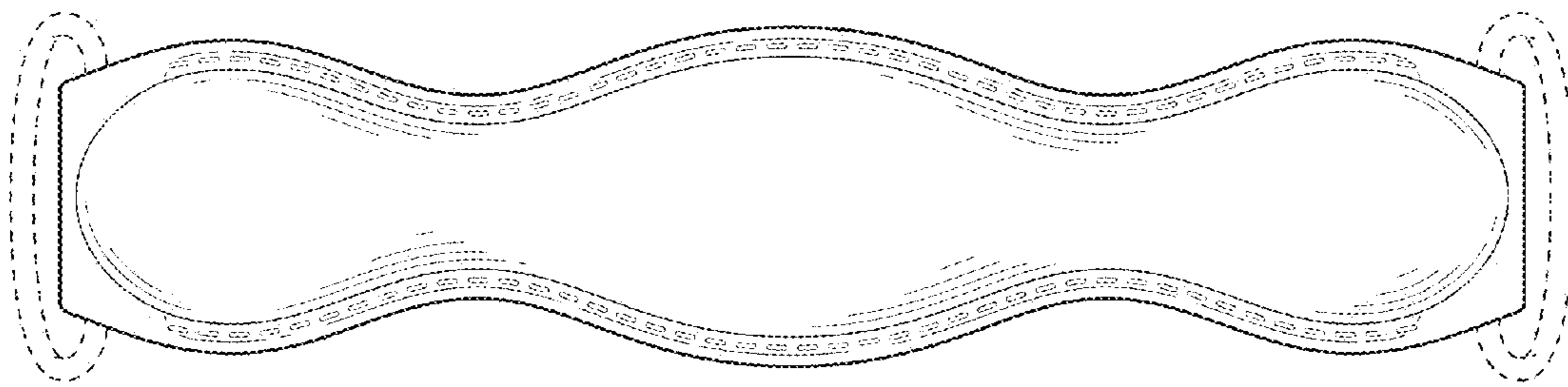


FIG. 6

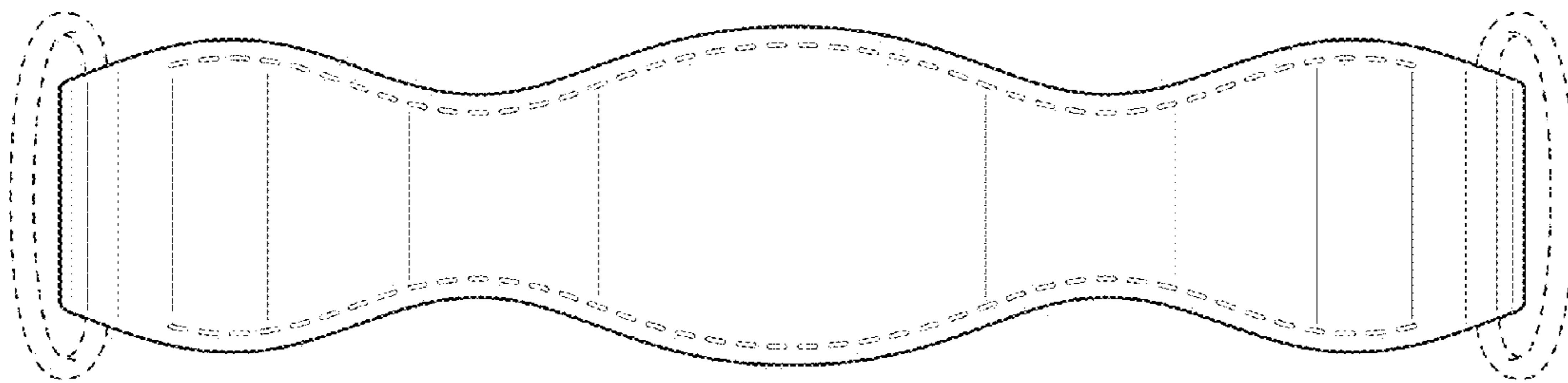


FIG. 7

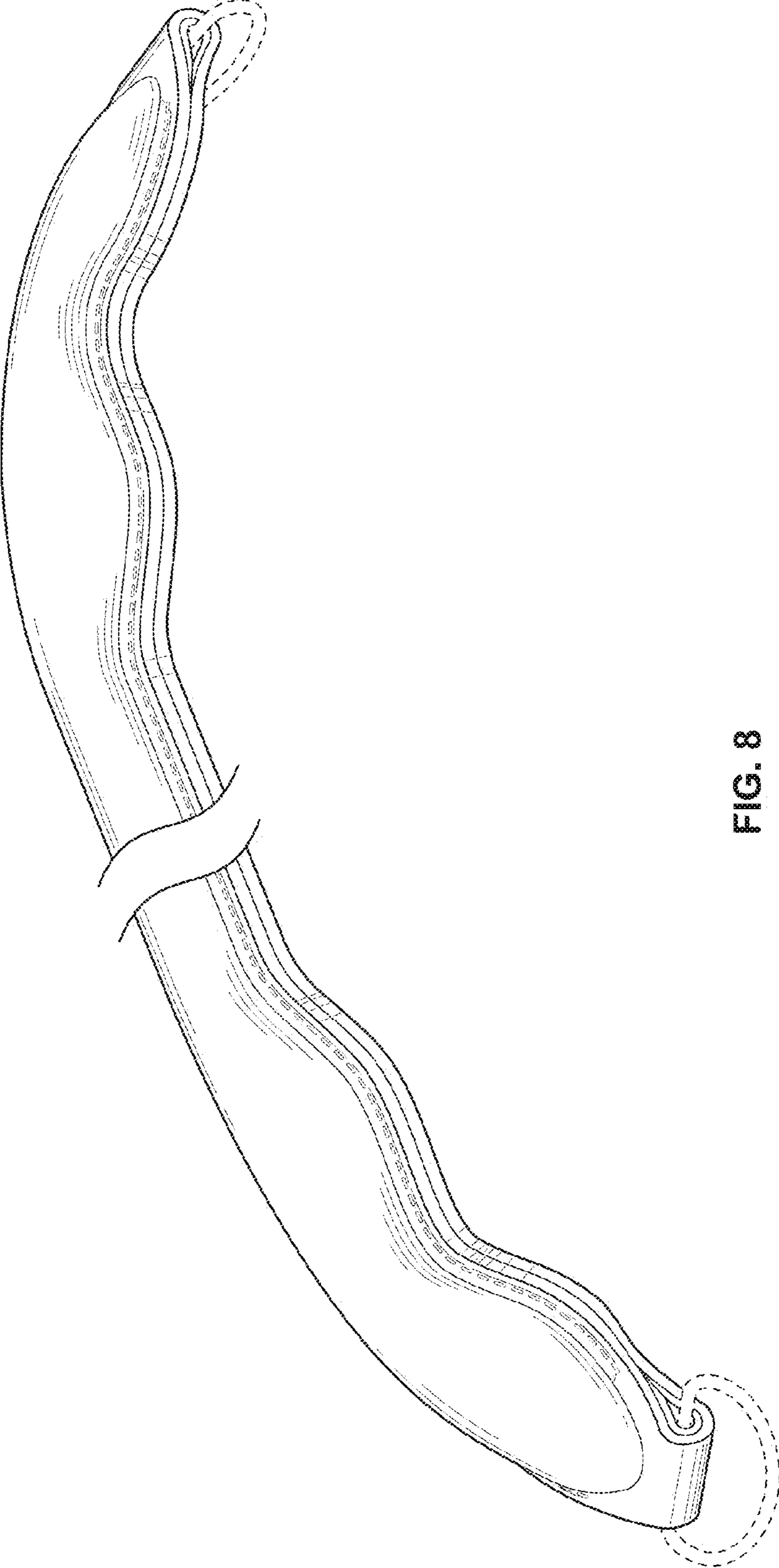


FIG. 8



FIG. 9