



US00D716049S

(12) **United States Design Patent**
Fair

(10) **Patent No.:** **US D716,049 S**

(45) **Date of Patent:** **** Oct. 28, 2014**

(54) **PROTECTIVE CASE**

(71) Applicant: **Paul F. Fair**, Denver, CO (US)

(72) Inventor: **Paul F. Fair**, Denver, CO (US)

(73) Assignee: **Thule Organization Solutions, Inc.**,
Longmont, CO (US)

(**) Term: **14 Years**

(21) Appl. No.: **29/435,367**

(22) Filed: **Oct. 23, 2012**

(51) **LOC (10) Cl.** **03-01**

(52) **U.S. Cl.**

USPC **D3/303**

(58) **Field of Classification Search**

CPC A45F 2200/05; A45F 2200/0508;
A45F 2200/0516

USPC D3/226, 230, 232, 239, 243, 245, 303,
D3/318, 323, 328; 206/39.7, 261, 264,
206/265; D14/203.3, 341, 344, 345

See application file for complete search history.

(56) **References Cited**

U.S. PATENT DOCUMENTS

2,115,993	A	5/1938	Kranhold	
D309,601	S *	7/1990	Sawada et al.	D14/345
D317,440	S *	6/1991	Sawada et al.	D14/345
D388,957	S *	1/1998	Wolff	D3/323
D391,763	S *	3/1998	Wolff	D3/323
D394,554	S *	5/1998	Mann et al.	D3/323
D407,432	S	3/1999	Tell	
D409,385	S	5/1999	Pearson et al.	
D413,440	S	9/1999	Schurman	
D421,526	S	3/2000	Isaacson	
D435,591	S *	12/2000	Wyant	D19/27
D458,127	S	6/2002	De Groote	
D472,383	S	4/2003	Geisler	

D477,563	S	7/2003	Hassett	
D500,204	S *	12/2004	Hillman	D3/301
D540,035	S	4/2007	Gerard et al.	
D582,675	S *	12/2008	Nelson	D3/301
D599,346	S *	9/2009	Thia et al.	D14/356
D643,214	S	8/2011	Weedon et al.	
D649,547	S *	11/2011	Huang	D14/341
D651,799	S	1/2012	Dial	
D659,692	S *	5/2012	Jung et al.	D14/341
D663,117	S *	7/2012	Schiffman	D3/232
D665,170	S	8/2012	Lipfert et al.	
D667,402	S *	9/2012	Maus	D14/385
D668,660	S *	10/2012	Norfolk	D14/440
D668,661	S *	10/2012	Norfolk	D14/440
D668,872	S	10/2012	Fair et al.	

(Continued)

OTHER PUBLICATIONS

U.S. Appl. No. 29/435,369, filed Oct. 23, 2012, Fair.

U.S. Appl. No. 29/435,370, filed Oct. 23, 2012, Fair.

Primary Examiner — Deanna L Pratt

Assistant Examiner — Ieisha Price

(74) *Attorney, Agent, or Firm* — Sheridan Ross P.C.

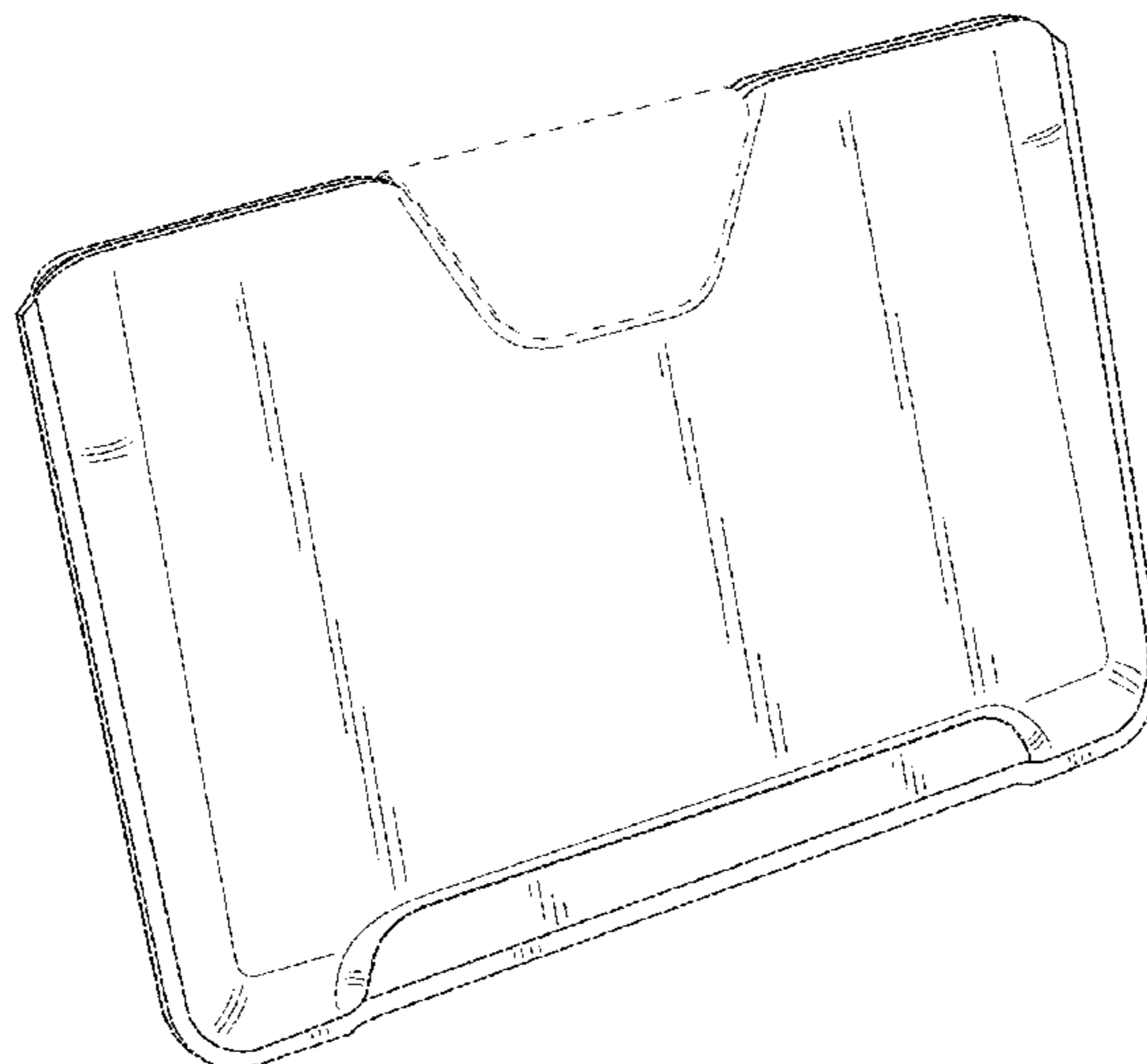
(57) **CLAIM**

The ornamental design for a protective case, as shown and described.

DESCRIPTION

FIG. 1 is a front perspective view of the protective case;
FIG. 2 is a top plan view thereof;
FIG. 3 is a left elevation view thereof;
FIG. 4 is a front elevation view thereof;
FIG. 5 is a right elevation view thereof;
FIG. 6 is a bottom plan view thereof; and,
FIG. 7 is a rear elevation view thereof.
The broken lines in the drawings illustrate portions of the protective case which form no part of the claimed design.

1 Claim, 3 Drawing Sheets



(56)

References Cited

U.S. PATENT DOCUMENTS

D669,268 S 10/2012 Phillips et al.
D669,270 S 10/2012 Phillips et al.
D690,104 S 9/2013 Phillips et al.

D690,513 S 10/2013 Phillips et al.
D691,801 S 10/2013 Lin
D694,011 S 11/2013 Mecchella
D696,693 S * 12/2013 Kim et al. D14/496
2002/0085342 A1 * 7/2002 Chen et al. 361/683

* cited by examiner

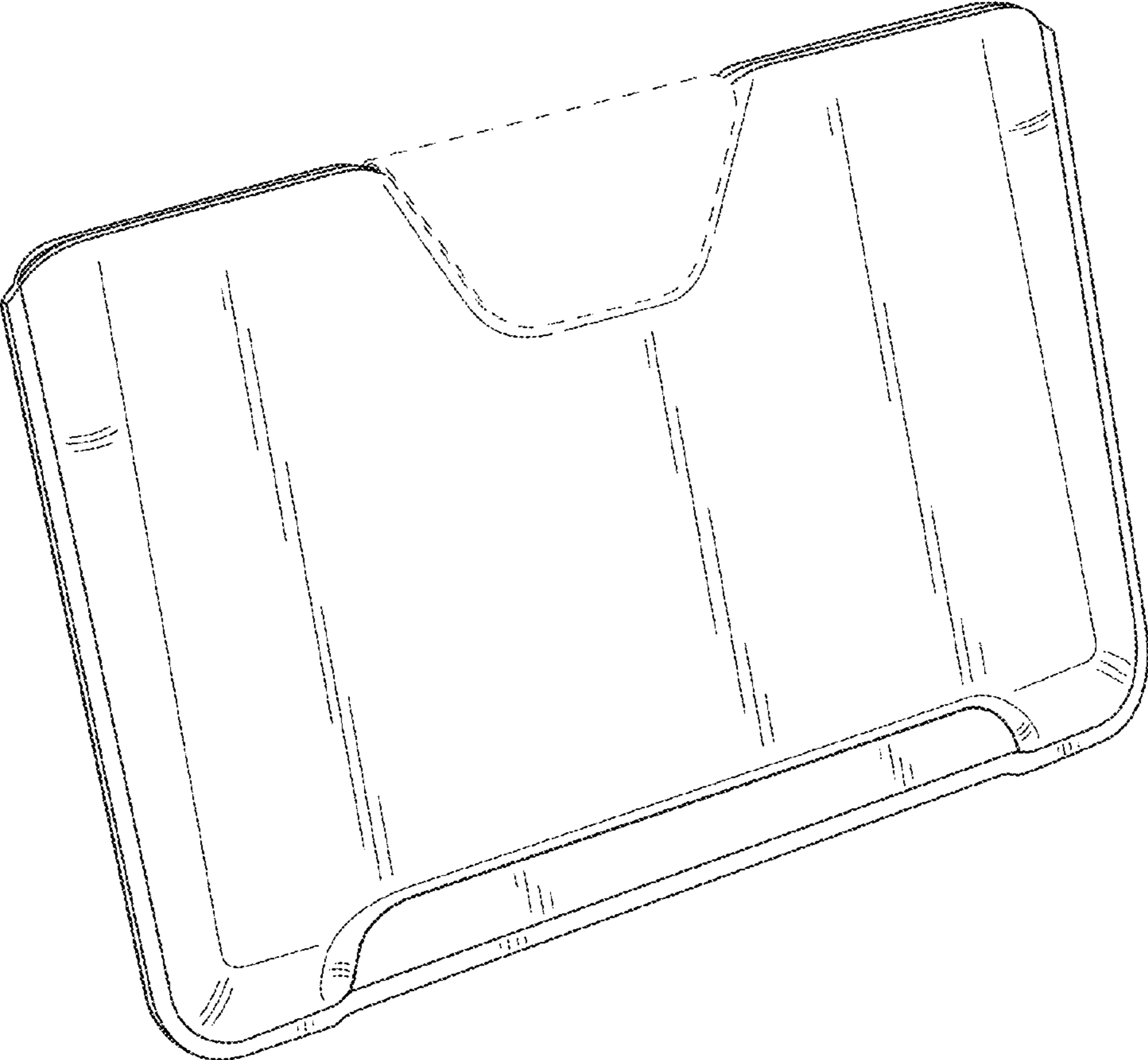


FIG.1

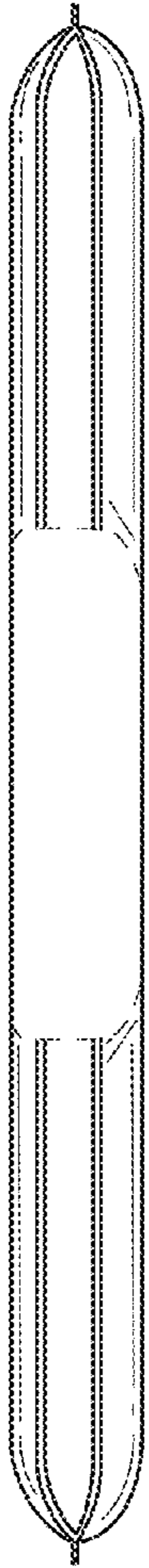


FIG. 2

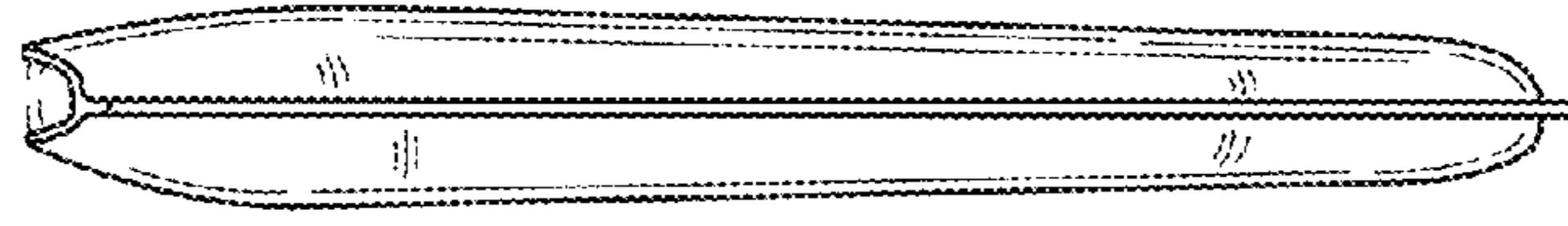


FIG. 5

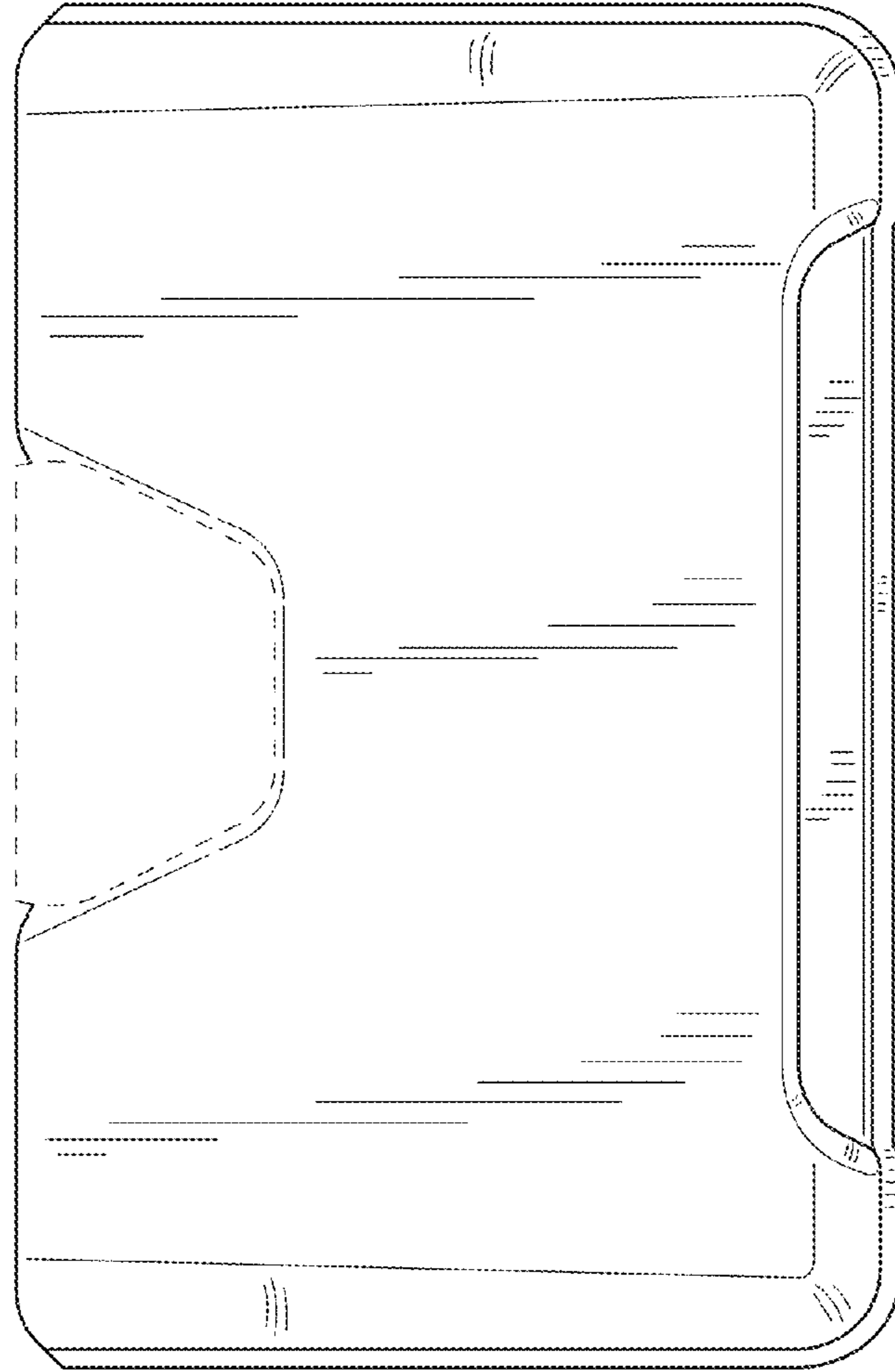


FIG. 4

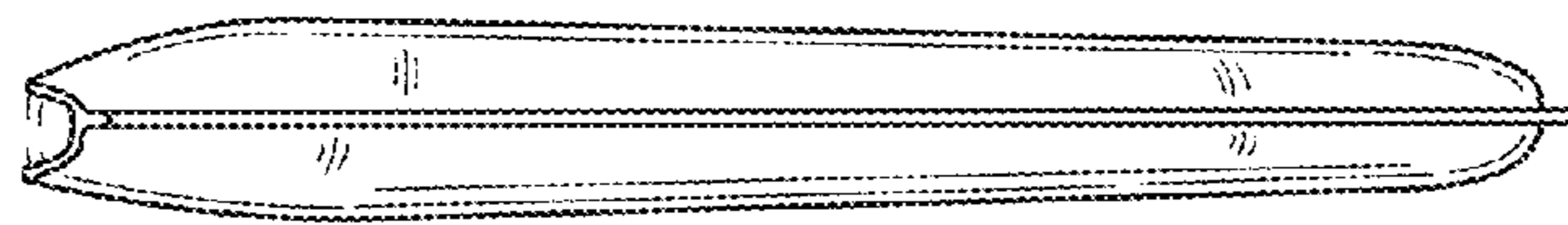


FIG. 3

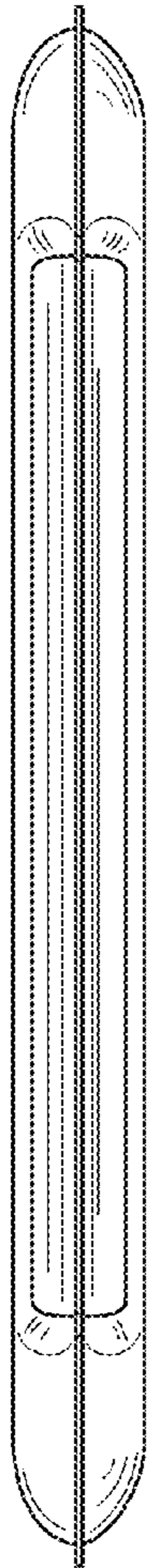


FIG. 6

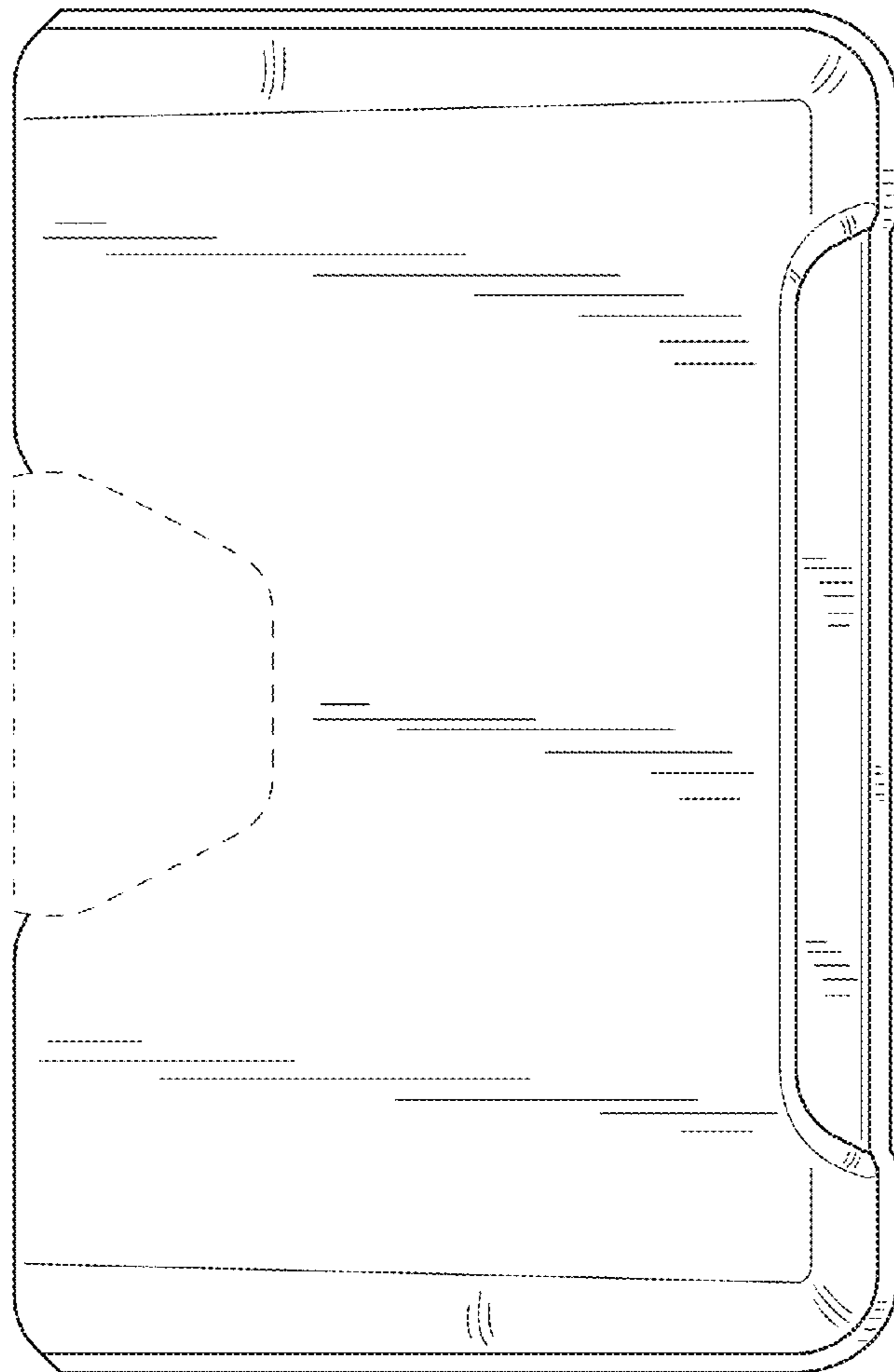


FIG. 7