



US00D716043S

(12) **United States Design Patent**
Wilk

(10) **Patent No.:** **US D716,043 S**
(45) **Date of Patent:** **** Oct. 28, 2014**

(54) **WALLET**

(71) Applicant: **Daniel Wilk**, Deerfield, IL (US)

(72) Inventor: **Daniel Wilk**, Deerfield, IL (US)

(**) Term: **14 Years**

(21) Appl. No.: **29/444,986**

(22) Filed: **Feb. 6, 2013**

(51) **LOC (10) Cl.** **03-01**

(52) **U.S. Cl.**
USPC **D3/247**

(58) **Field of Classification Search**

None
See application file for complete search history.

(56) **References Cited**

U.S. PATENT DOCUMENTS

D590,151 S * 4/2009 Karobkina et al. D3/247
D613,293 S * 4/2010 Sheba D14/435
D628,796 S * 12/2010 Uzelac D3/247

OTHER PUBLICATIONS

The HuMn Wallet—the Best Minimal RFID Blocking Wallet by Scott Hussa, printed on Feb. 6, 2013, launched on Kickstarter, Inc. on Feb. 23, 2012.

The Ridge: Front Pocket Wallet by Daniel Kane, printed on Feb. 6, 2013, launched on Kickstarter, Inc. on Jan. 22, 2013.

Aluminum Plate Wallet System by Obstructures, printed on Feb. 6, 2013, launched on Kickstarter, Inc. on Dec. 26, 2012.

* cited by examiner

Primary Examiner — Holly Baynham

(74) *Attorney, Agent, or Firm* — Neal, Gerber & Eisenberg LLP

(57) **CLAIM**

The ornamental design for a wallet, as shown and described herein.

DESCRIPTION

FIG. 1 is a front perspective view of one embodiment of a wallet of my new design, that portion of the wallet shown in

phantom is not part of the design sought to be patented and is provided for environmental purposes only.

FIG. 2 is a front plan view of the wallet of my new design illustrated in FIG. 1, that portion of the wallet shown in phantom is not part of the design sought to be patented and is provided for environmental purposes only.

FIG. 3 is a rear plan view of the wallet of my new design illustrated in FIG. 1, that portion of the wallet shown in phantom is not part of the design sought to be patented and is provided for environmental purposes only.

FIG. 4 is a top plan view of the wallet of my new design illustrated in FIG. 1, that portion of the wallet shown in phantom is not part of the design sought to be patented and is provided for environmental purposes only.

FIG. 5 is a bottom plan view of the wallet of my new design illustrated in FIG. 1, that portion of the wallet shown in phantom is not part of the design sought to be patented and is provided for environmental purposes only.

FIG. 6 is a right side view of the wallet of my new design illustrated in FIG. 1, that portion of the wallet shown in phantom is not part of the design sought to be patented and is provided for environmental purposes only. The left side view being a mirror image of the right side view shown.

FIG. 7 is a front perspective view of another embodiment of a wallet of my new design, that portion of the wallet shown in phantom is not part of the design sought to be patented and is provided for environmental purposes only.

FIG. 8 is a front plan view of the wallet of my new design illustrated in FIG. 7, that portion of the wallet shown in phantom is not part of the design sought to be patented and is provided for environmental purposes only.

FIG. 9 is a rear plan view of the wallet of my new design illustrated in FIG. 7, that portion of the wallet shown in phantom is not part of the design sought to be patented and is provided for environmental purposes only.

FIG. 10 is a top plan view of the wallet of my new design illustrated in FIG. 7, that portion of the wallet shown in phantom is not part of the design sought to be patented and is provided for environmental purposes only.

FIG. 11 is a bottom plan view of the wallet of my new design illustrated in FIG. 7, that portion of the wallet shown in phantom is not part of the design sought to be patented and is provided for environmental purposes only; and,

FIG. 12 is a right side view of the wallet of my new design illustrated in FIG. 7, that portion of the wallet shown in phantom is not part of the design sought to be patented and is provided for environmental purposes only. The left side view being a mirror image of the right side view shown.

1 Claim, 6 Drawing Sheets

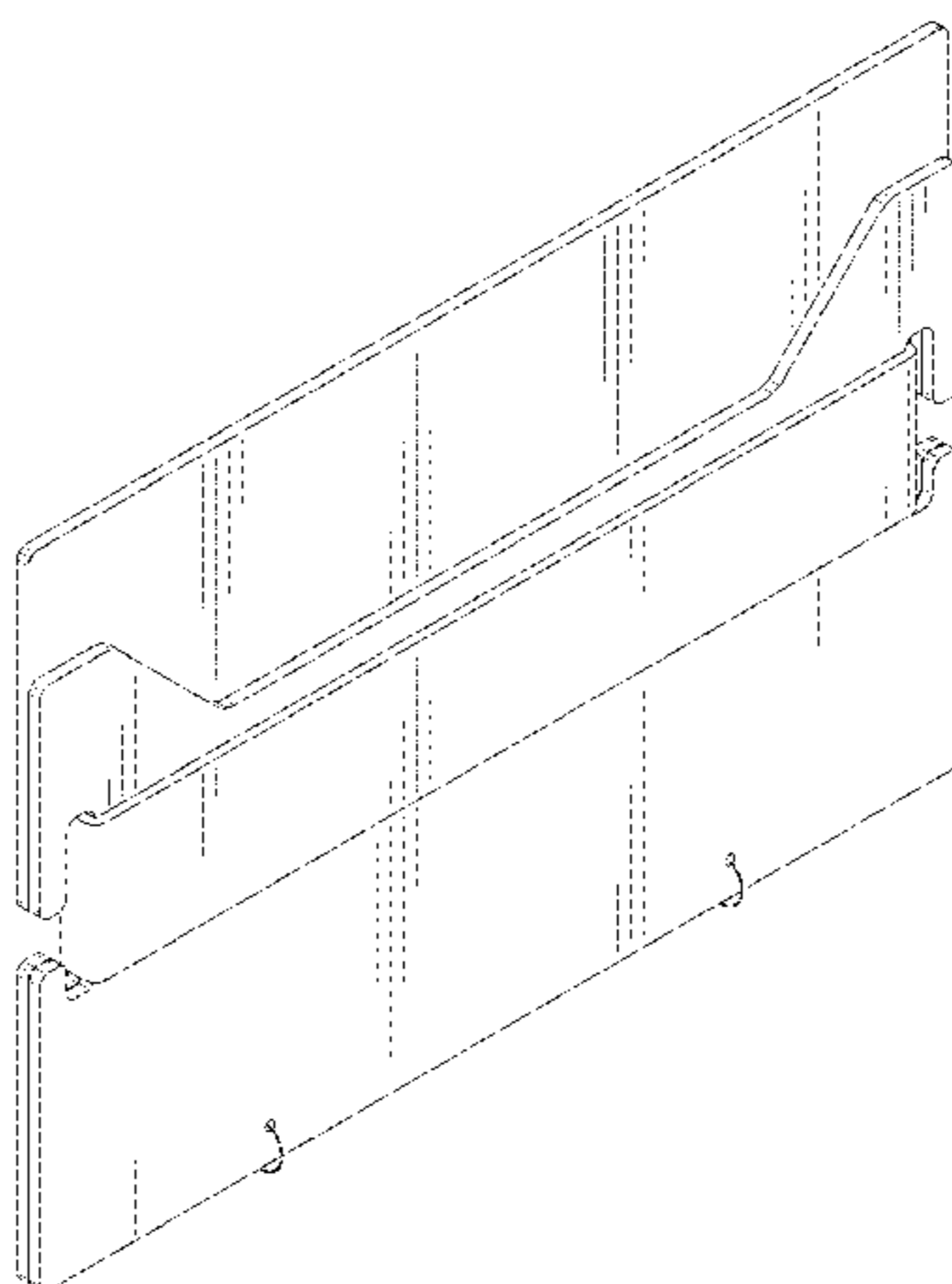


FIG. 1

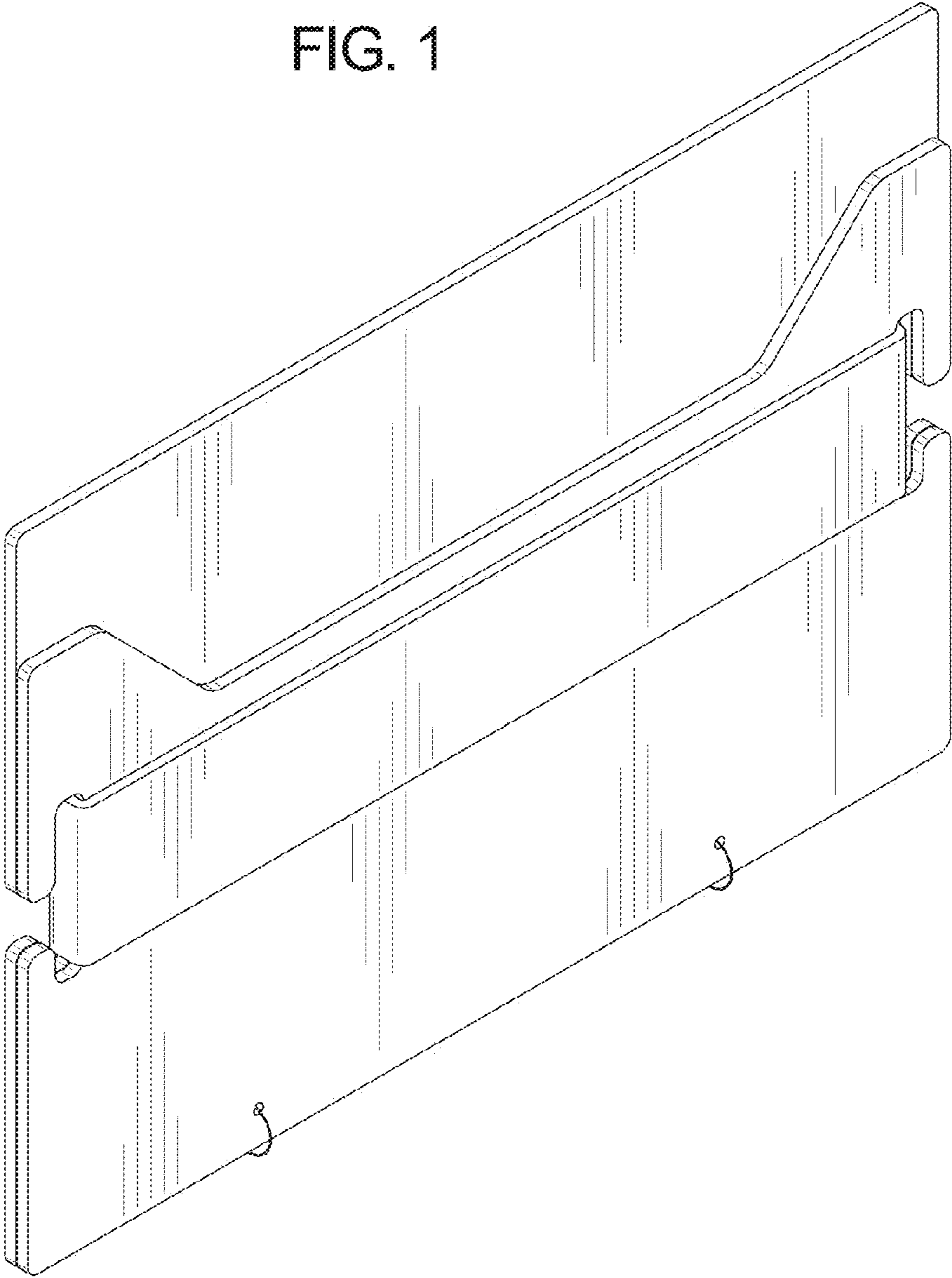


FIG. 2

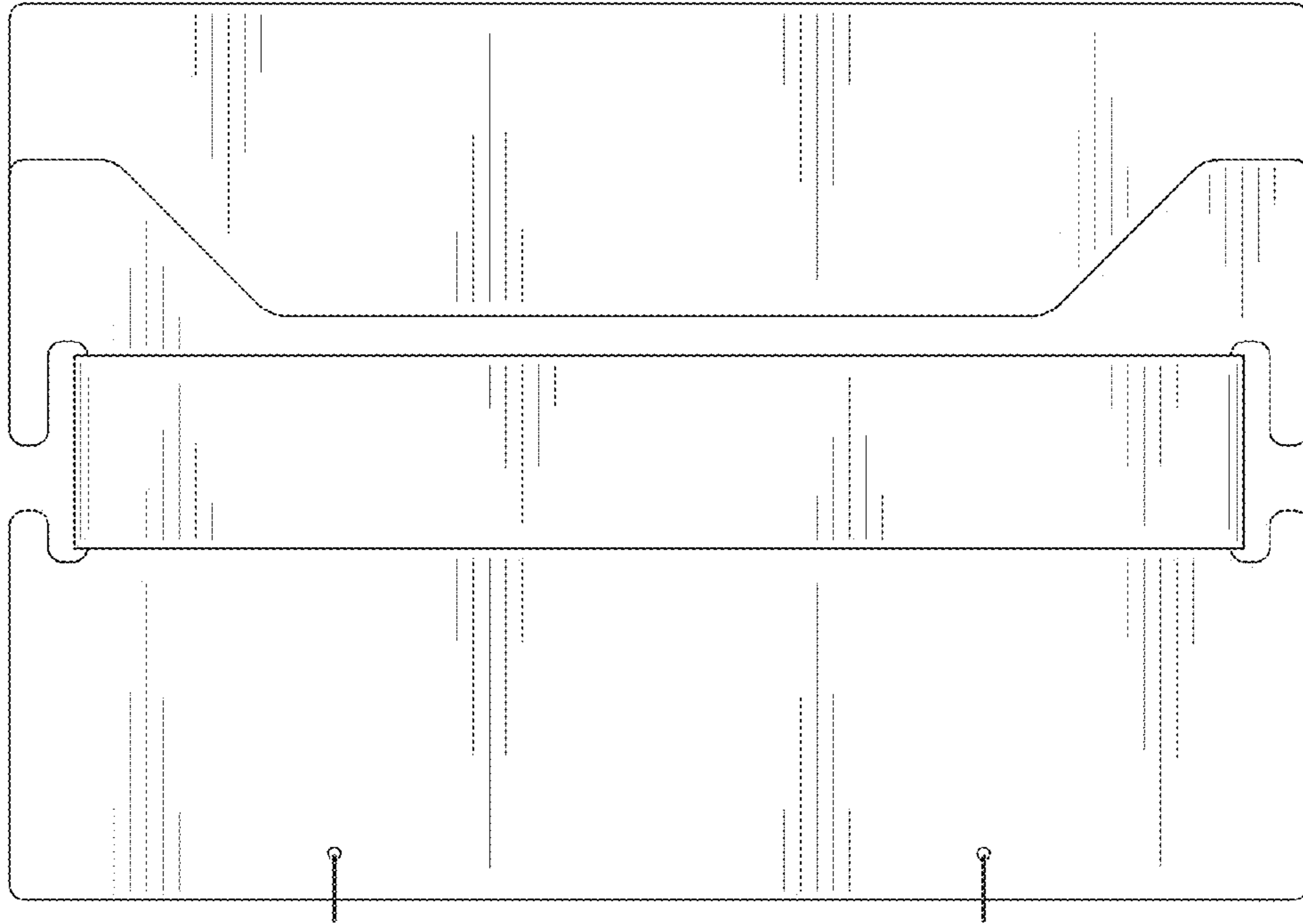


FIG. 3

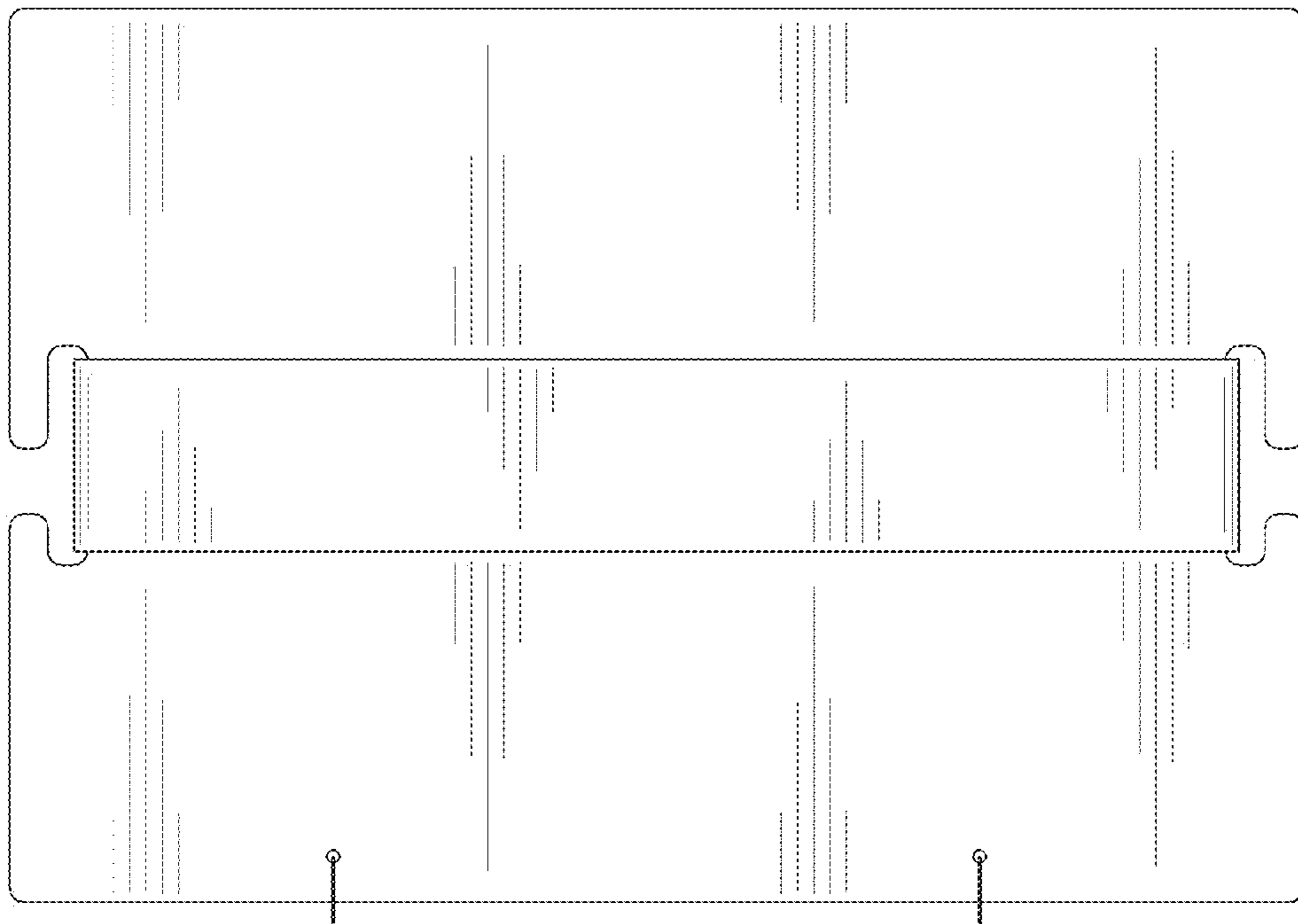


FIG. 4

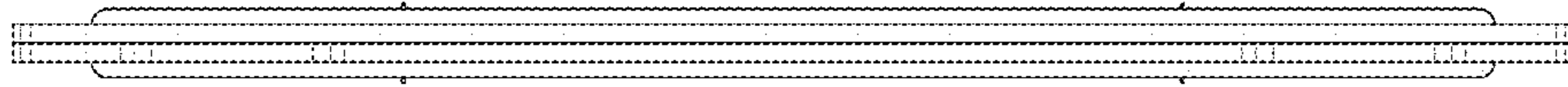


FIG. 5

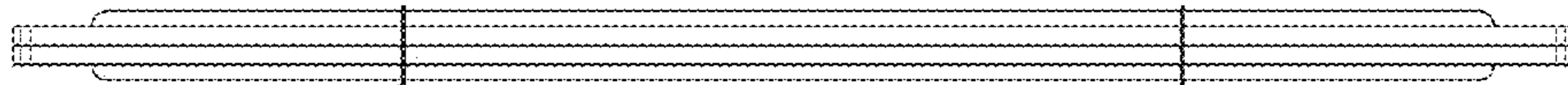


FIG. 6



FIG. 7

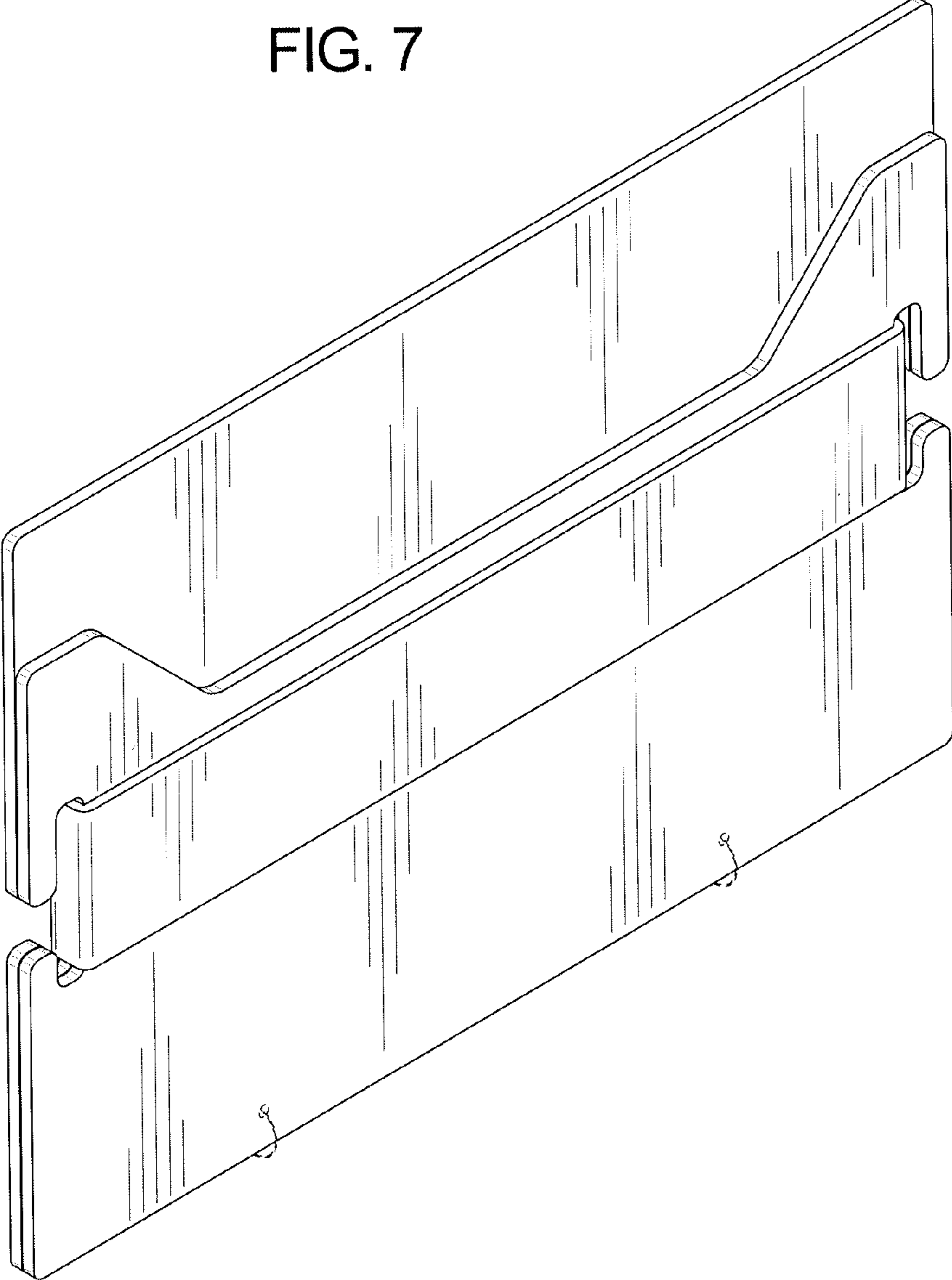


FIG. 8

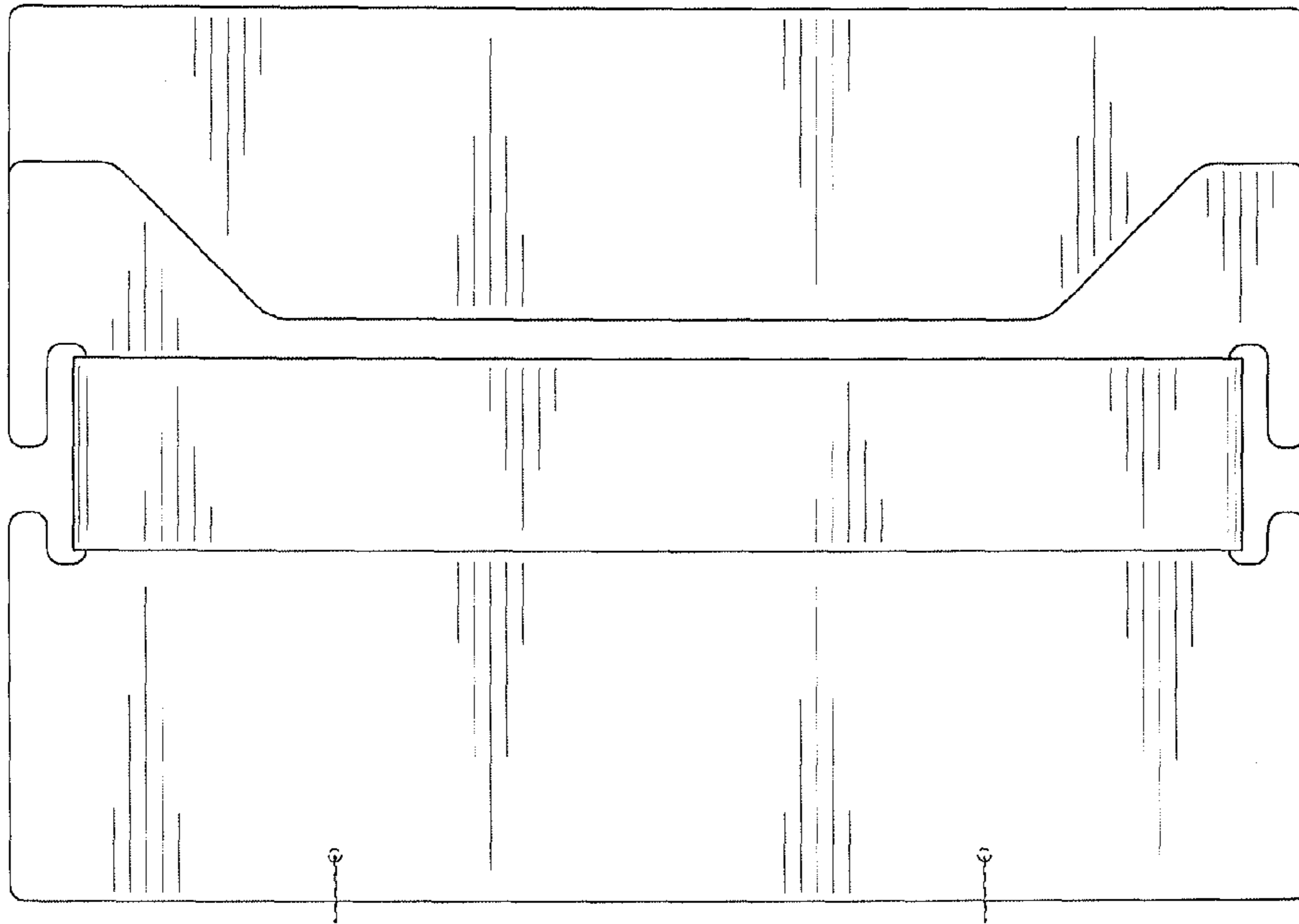


FIG. 9

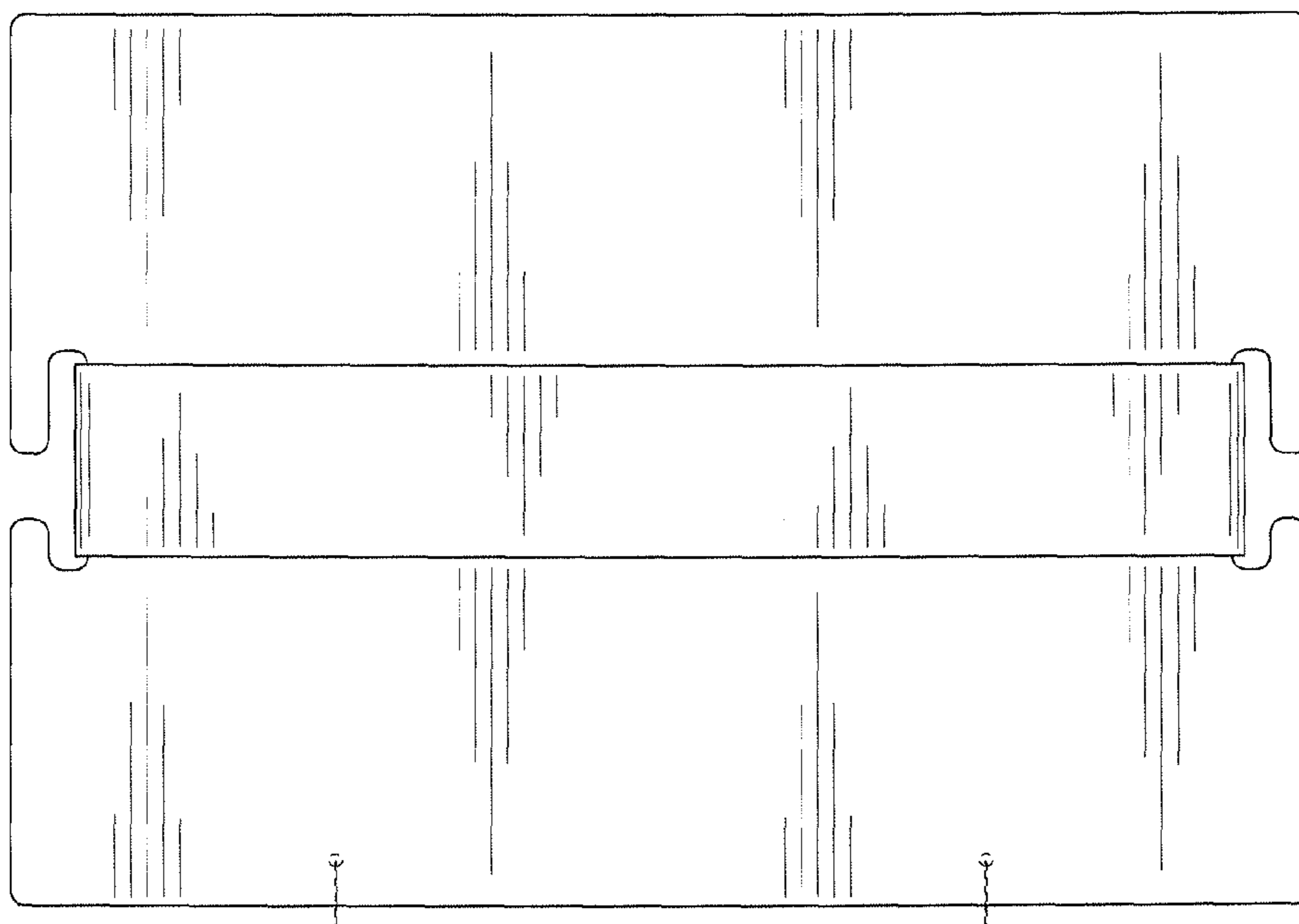


FIG. 10

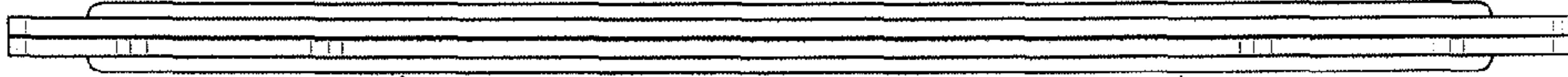


FIG. 11



FIG. 12

