



US00D716042S

(12) **United States Design Patent**
Locklear

(10) **Patent No.:** **US D716,042 S**
(45) **Date of Patent:** **** Oct. 28, 2014**

(54) **ESCAPE TOOL HOLSTER**

D705,536 S * 5/2014 Moreau et al. D3/228

(71) Applicant: **Raphael T. Locklear**, Shannon, NC
(US)

* cited by examiner

Primary Examiner — Catheri Oliver-Garcia

(72) Inventor: **Raphael T. Locklear**, Shannon, NC
(US)

(57) **CLAIM**

The ornamental design for an escape tool holster, as shown and described.

(**) Term: **14 Years**

(21) Appl. No.: **29/445,914**

DESCRIPTION

(22) Filed: **Feb. 19, 2013**

(51) **LOC (10) Cl.** **03-01**

(52) **U.S. Cl.**
USPC **D3/228**

(58) **Field of Classification Search**
USPC D3/228, 215; 224/575–577, 625, 660,
224/665, 674, 676–677, 680, 682–683;
206/372–376

FIG. 1 is a left-side elevational view of an escape tool holster;
FIG. 2 is a right-side elevational view thereof;
FIG. 3 is a top plan view thereof;
FIG. 4 is a bottom plan view thereof;
FIG. 5 is a front elevational view thereof;
FIG. 6 is a rear elevational view thereof;
FIG. 7 is a perspective view thereof;
FIG. 8 is a perspective view thereof; and,
FIG. 9 is a perspective view thereof.

See application file for complete search history.

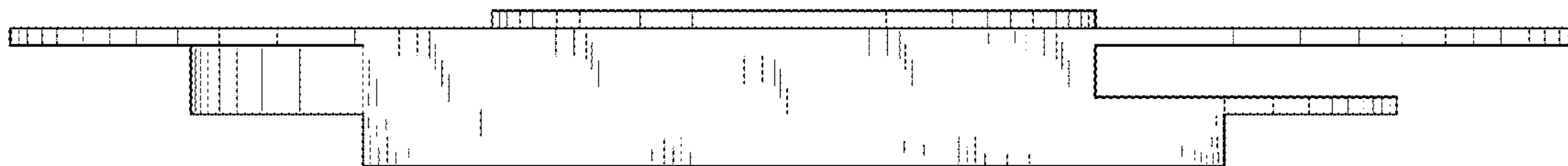
The broken line showing of a logo in FIG. 3, FIG. 7, and FIG. 9 and the broken line showing of a strap in FIG. 9 are included for the purpose of showing environmental structure and form no part of the claimed design.

(56) **References Cited**

U.S. PATENT DOCUMENTS

D457,311 S * 5/2002 Dedrick D3/228

1 Claim, 9 Drawing Sheets



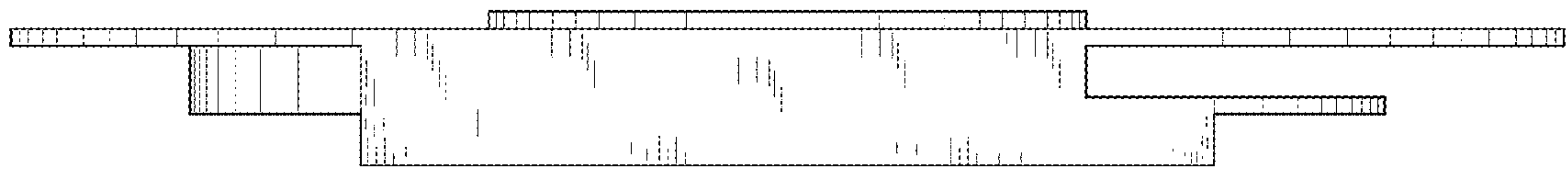


FIG. 1

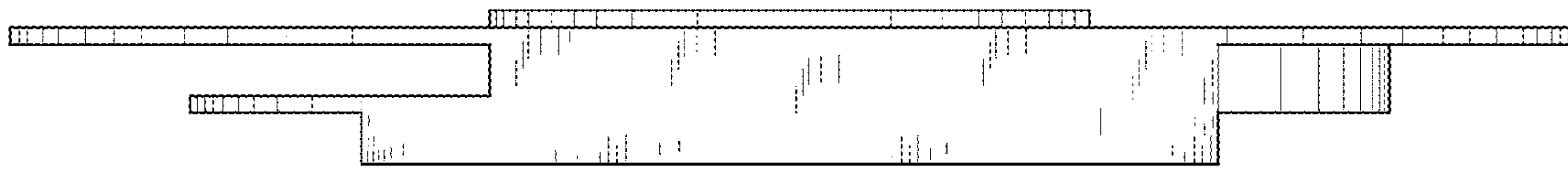


FIG. 2

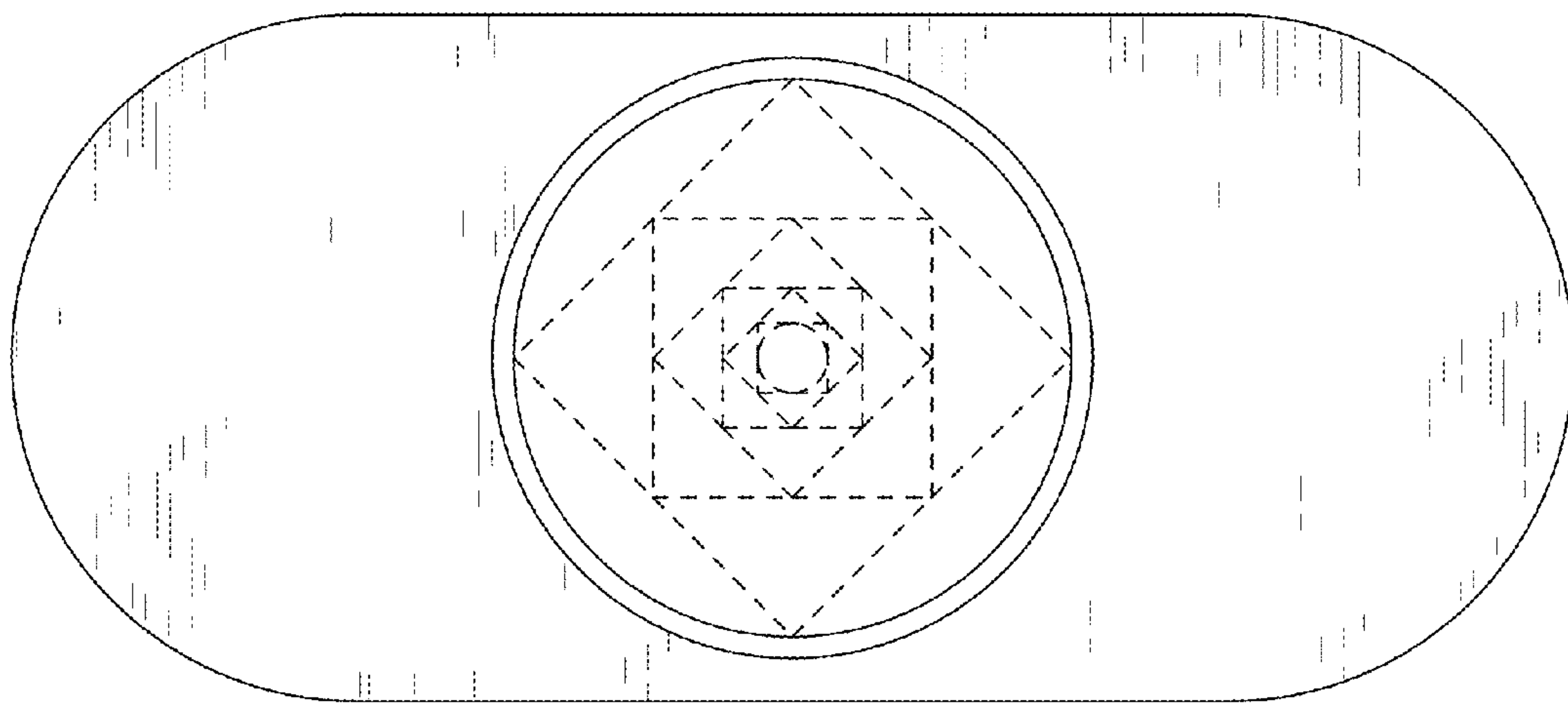


FIG. 3

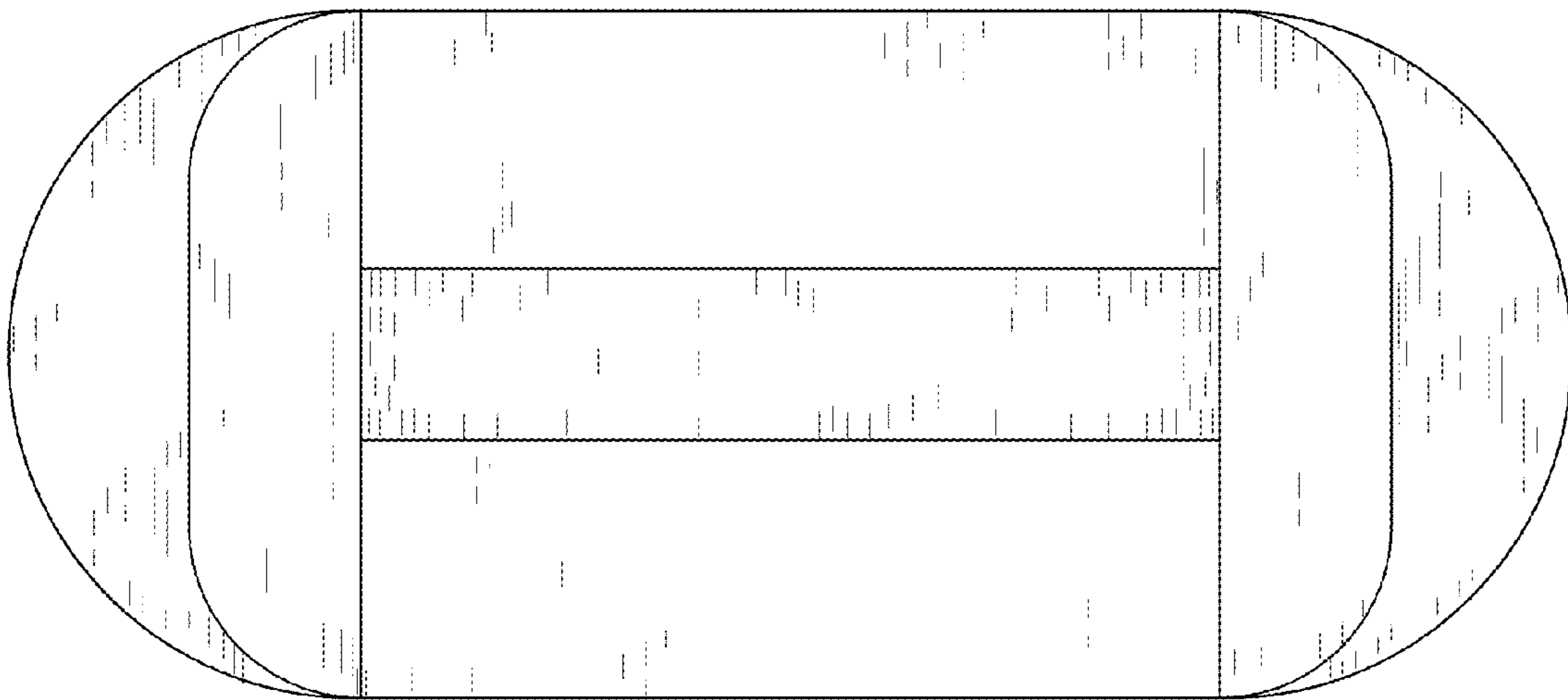


FIG. 4

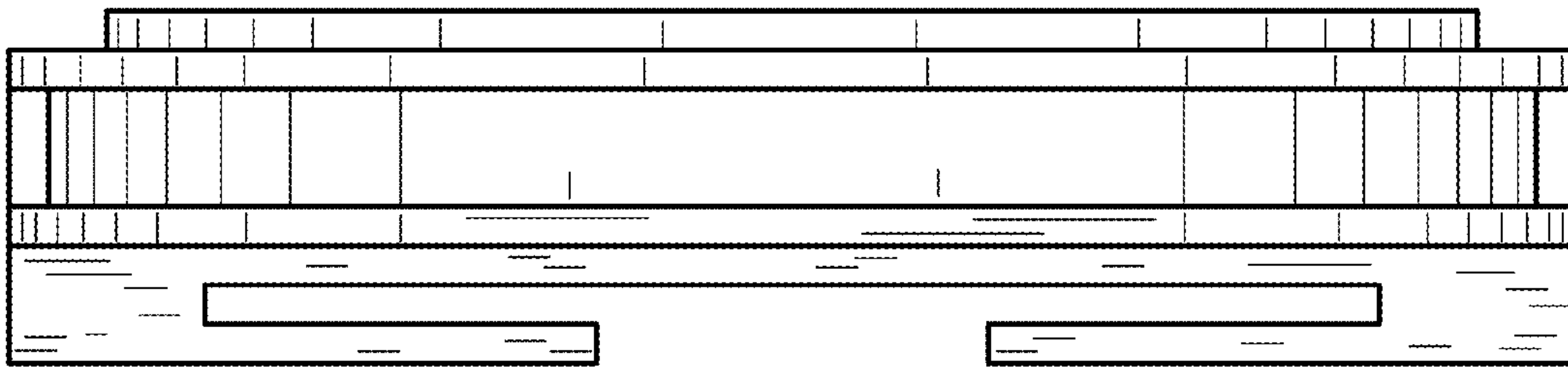


FIG. 5

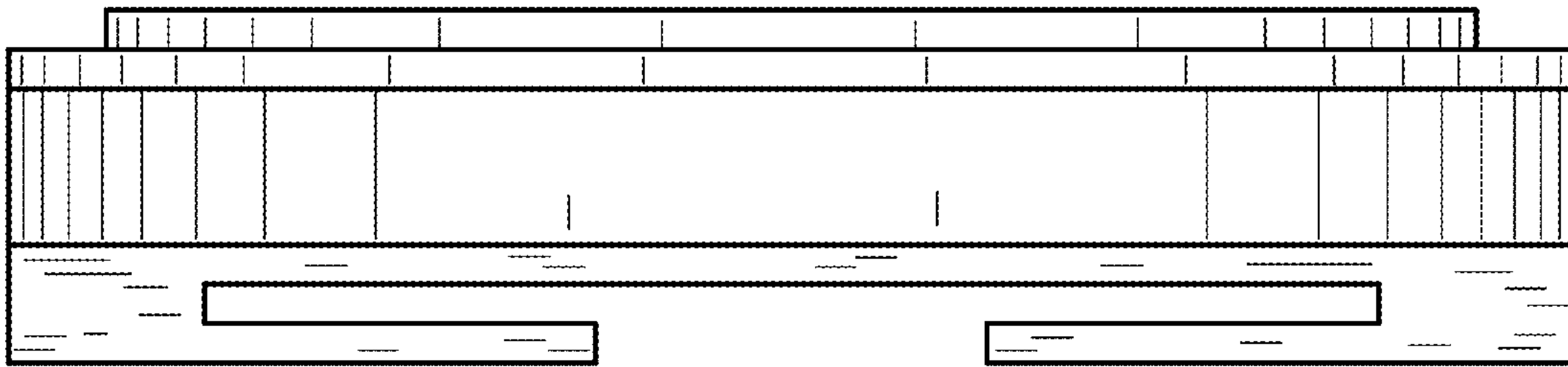


FIG. 6

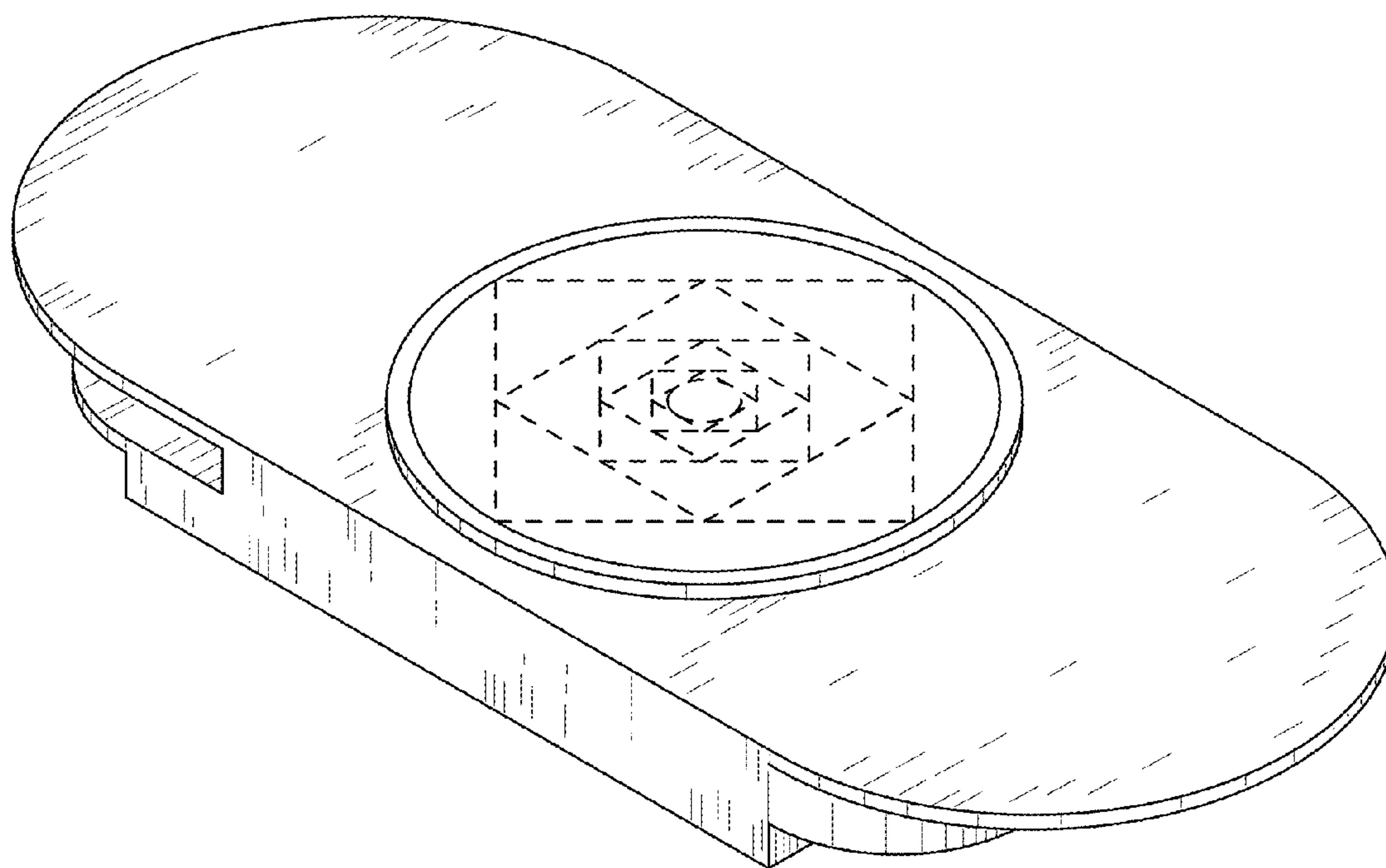


FIG. 7

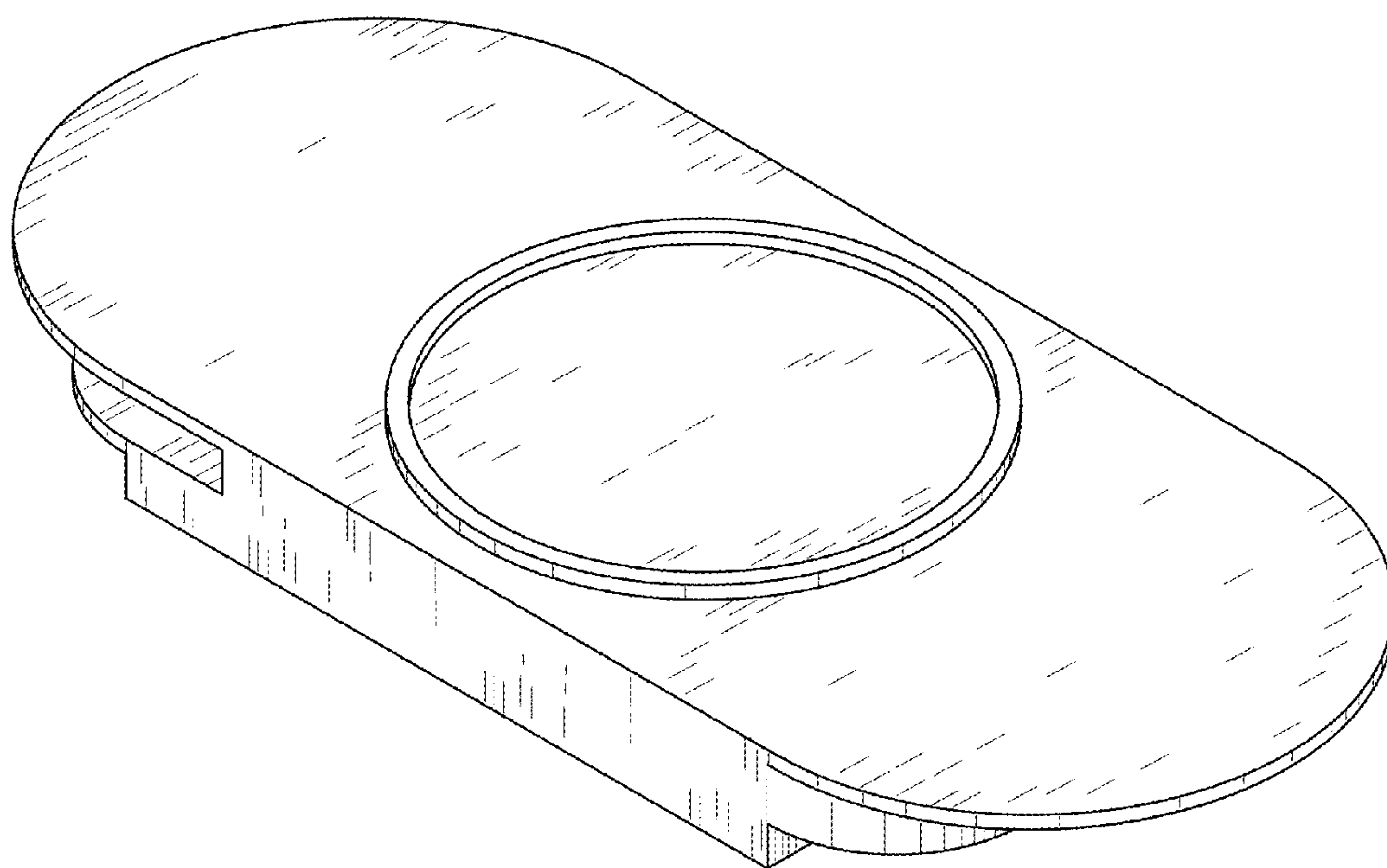


FIG. 8

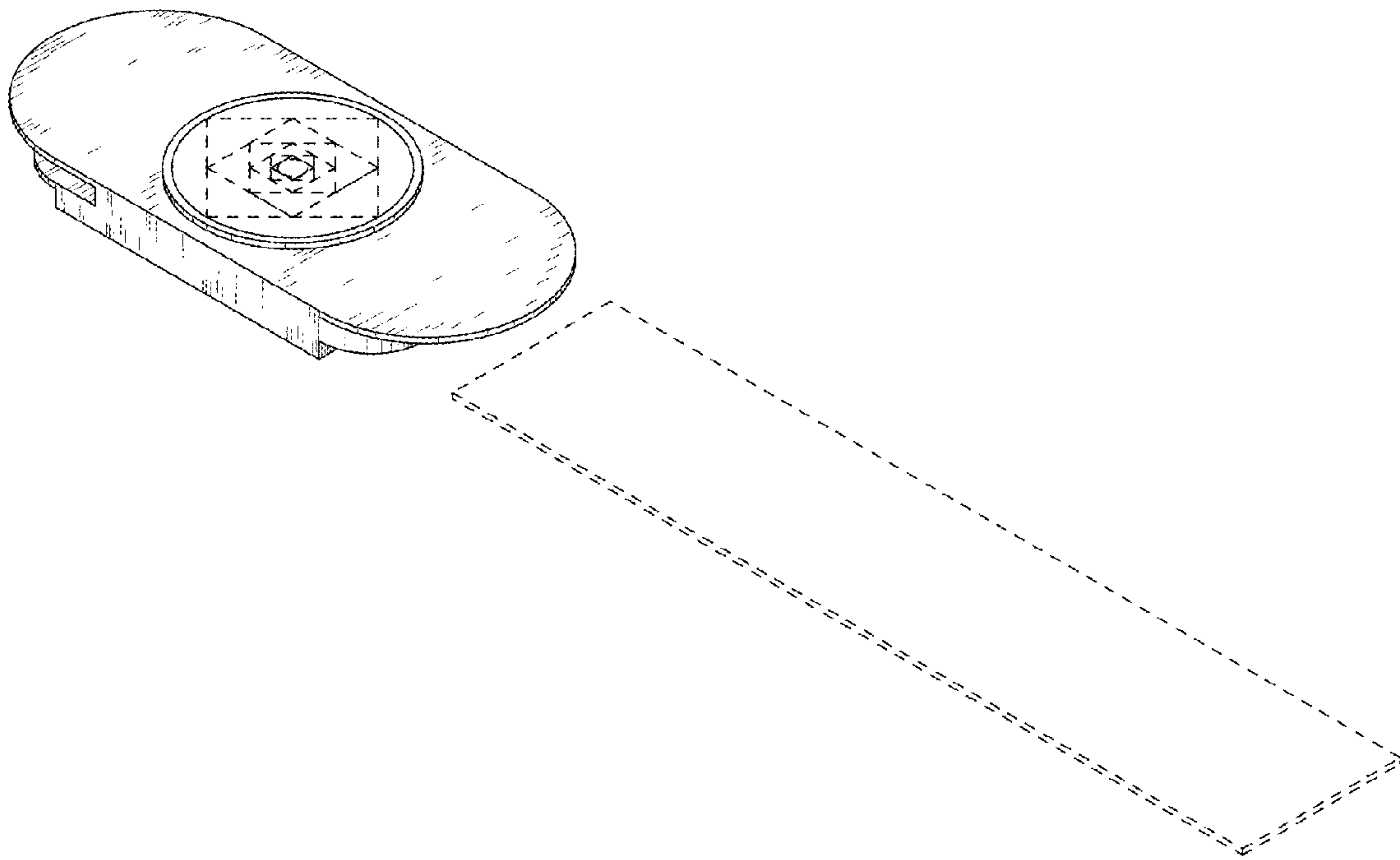


FIG. 9