



US00D716041S

(12) **United States Design Patent**
Lauchengco et al.

(10) **Patent No.:** **US D716,041 S**
(45) **Date of Patent:** **** Oct. 28, 2014**

- (54) **UTILITY KNIFE SHEATH**
- (71) Applicants: **Dennis Lauchengco**, North York (CA);
Brian Pimentel, Concord, CA (US)
- (72) Inventors: **Dennis Lauchengco**, North York (CA);
Brian Pimentel, Concord, CA (US)
- (**) Term: **14 Years**
- (21) Appl. No.: **29/455,550**
- (22) Filed: **May 22, 2013**
- (51) **LOC (10) Cl.** **03-01**
- (52) **U.S. Cl.**
USPC **D3/220**
- (58) **Field of Classification Search**
USPC D3/220, 215, 221–223, 226, 228, 230;
224/219, 222, 269, 664, 666–667, 669,
224/676–677, 934; 383/63, 111, 113
See application file for complete search history.

D332,871 S *	2/1993	Seber	D3/220
D332,872 S *	2/1993	Seber	D3/220
D459,876 S *	7/2002	Smith	D3/226
D663,950 S *	7/2012	Willows et al.	D3/226

* cited by examiner

Primary Examiner — Catheri Oliver-Garcia

(57) **CLAIM**

We claim the ornamental design for a utility knife sheath, as shown and described.

DESCRIPTION

FIG. 1 is a side perspective view of a utility knife sheath showing our new design;
 FIG. 2 is a front view thereof;
 FIG. 3 is a rear view thereof;
 FIG. 4 is a side view thereof;
 FIG. 5 is a side view thereof;
 FIG. 6 is a top view thereof; and,
 FIG. 7 is a bottom view thereof.

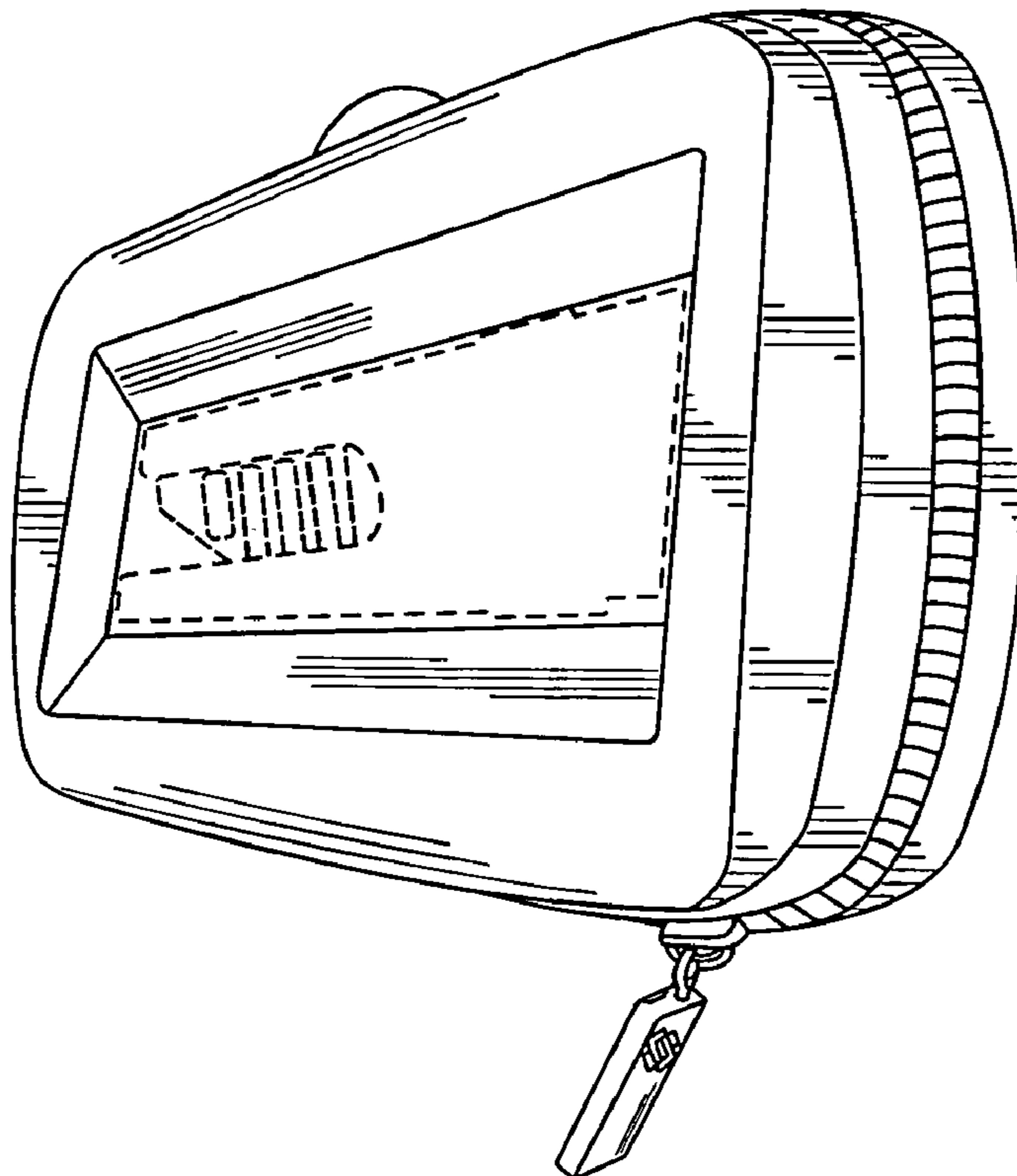
The broken lines in the Figures showing a utility knife or portion thereof are for illustrative purposes only and form no part of the claimed design.

(56) **References Cited**

U.S. PATENT DOCUMENTS

D280,673 S *	9/1985	Scheller	D3/226
D291,627 S *	9/1987	Collins	D3/220

1 Claim, 7 Drawing Sheets



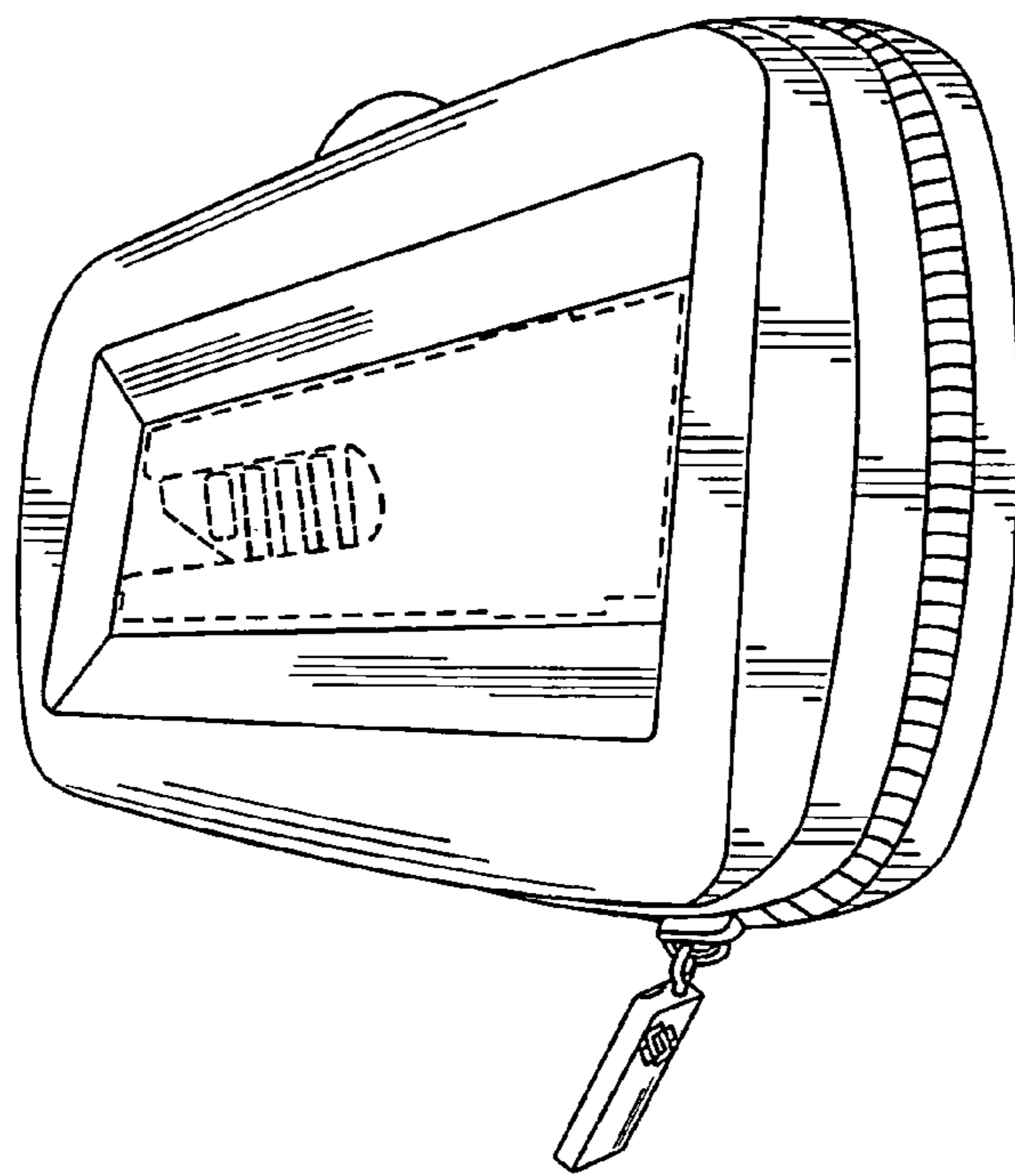


Figure 1

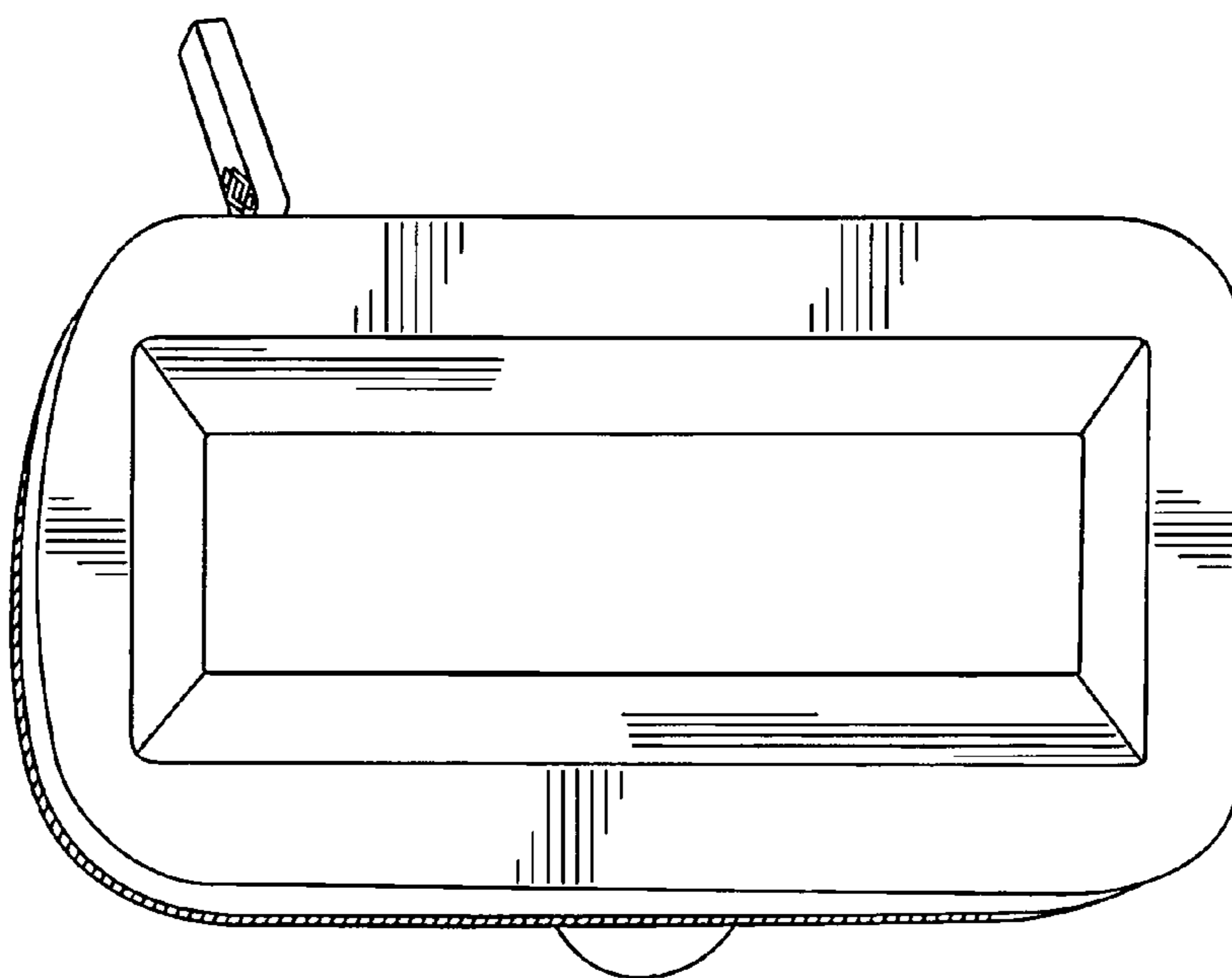


Figure 2

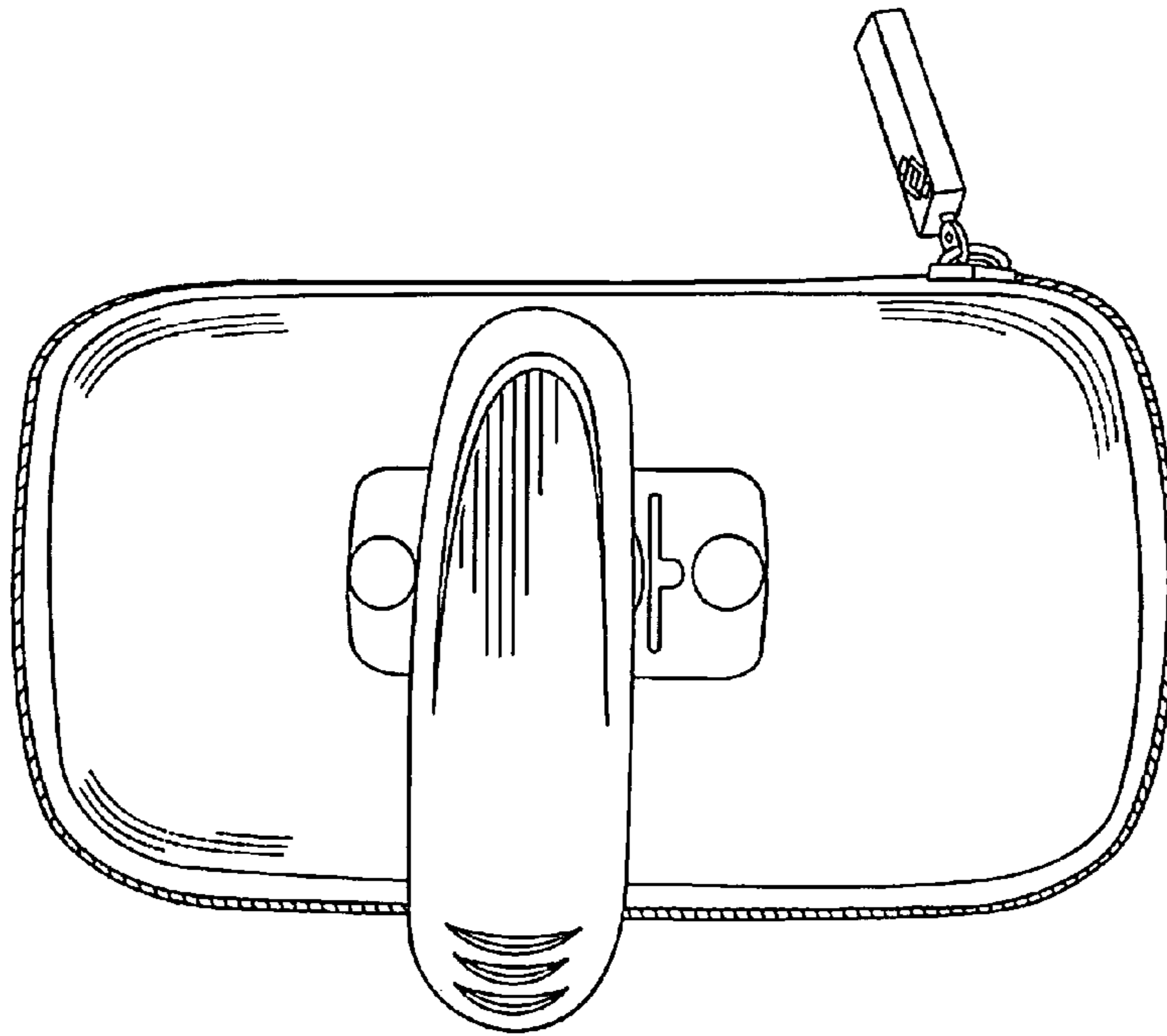


Figure 3

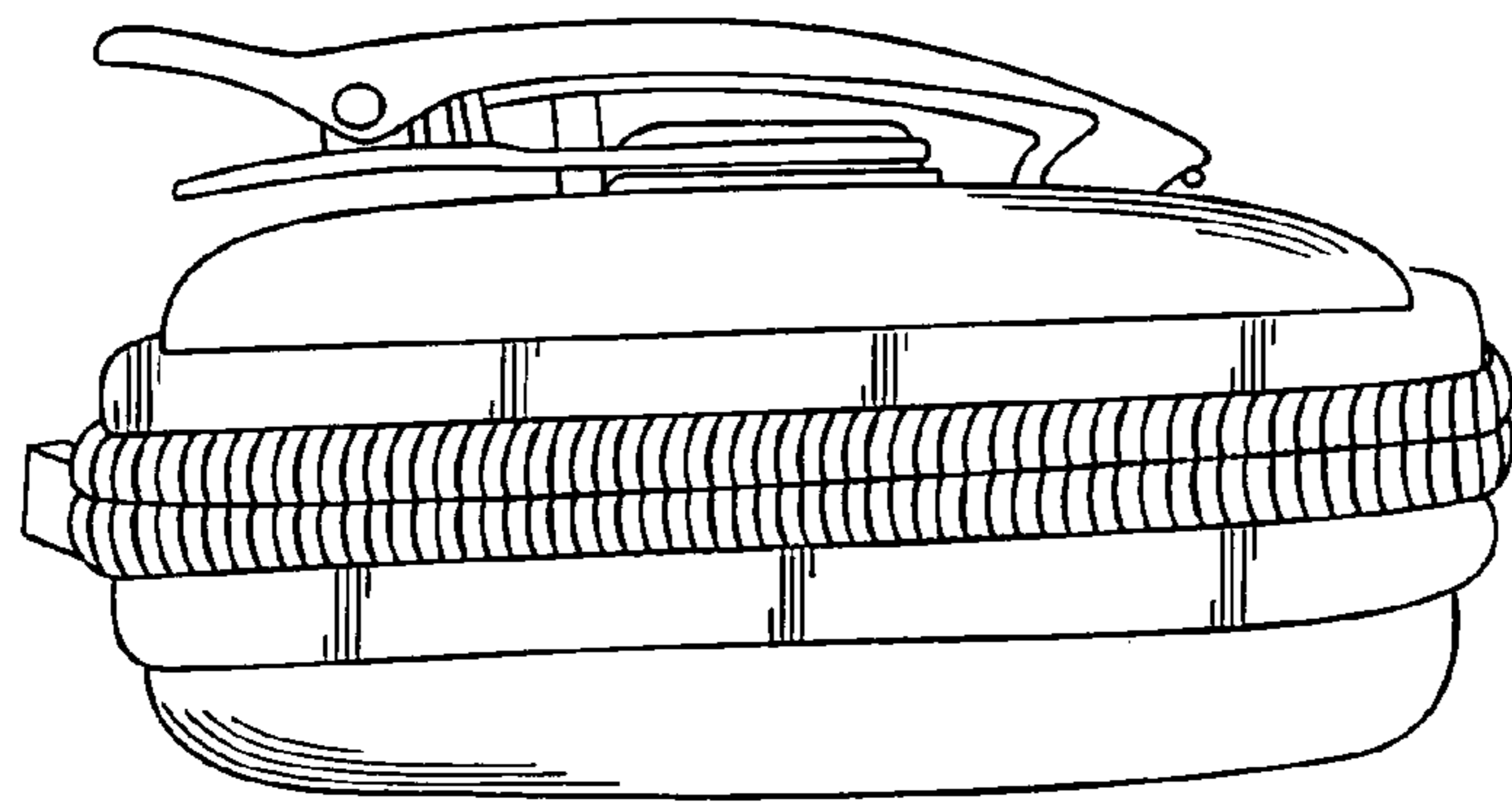


Figure 4

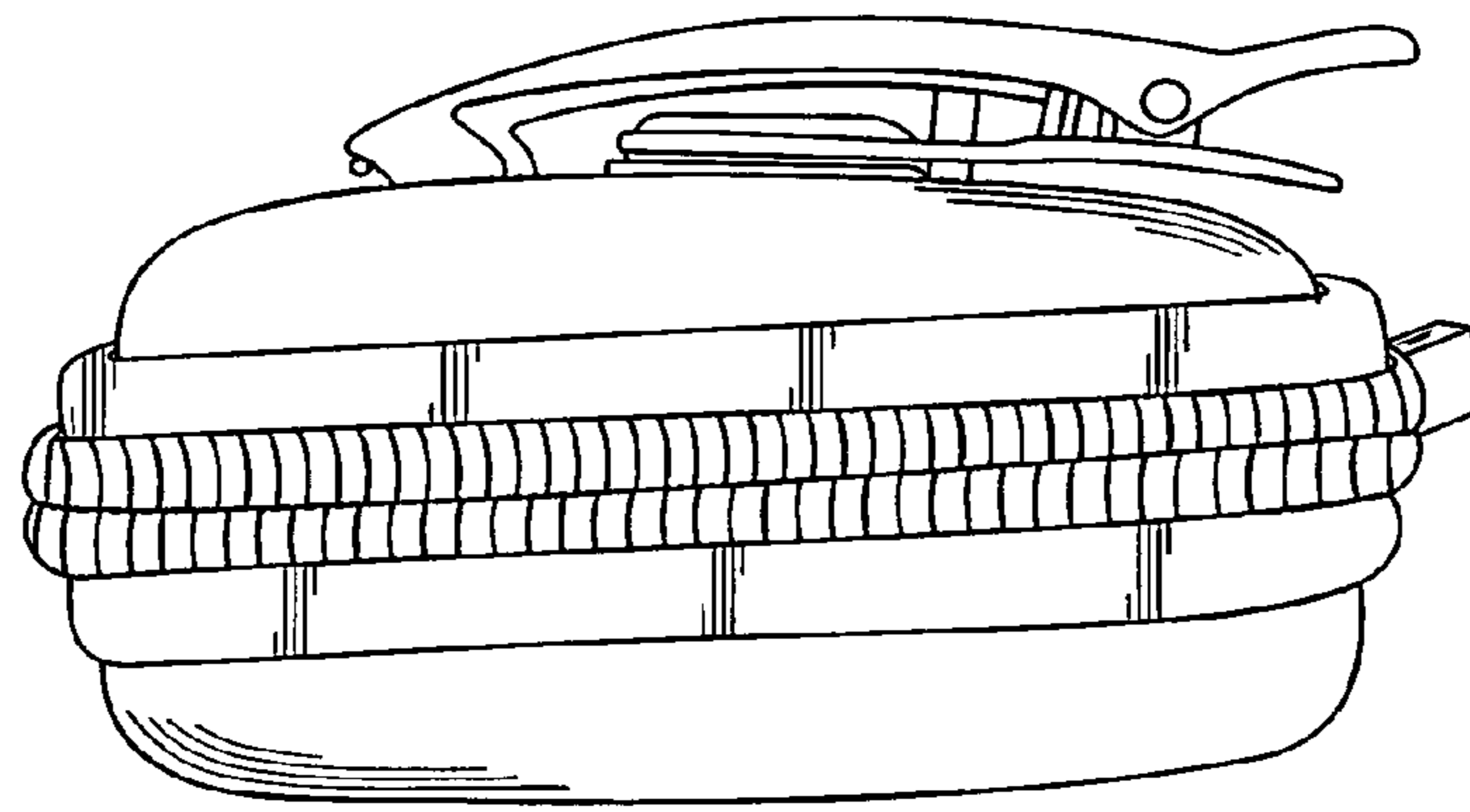


Figure 5

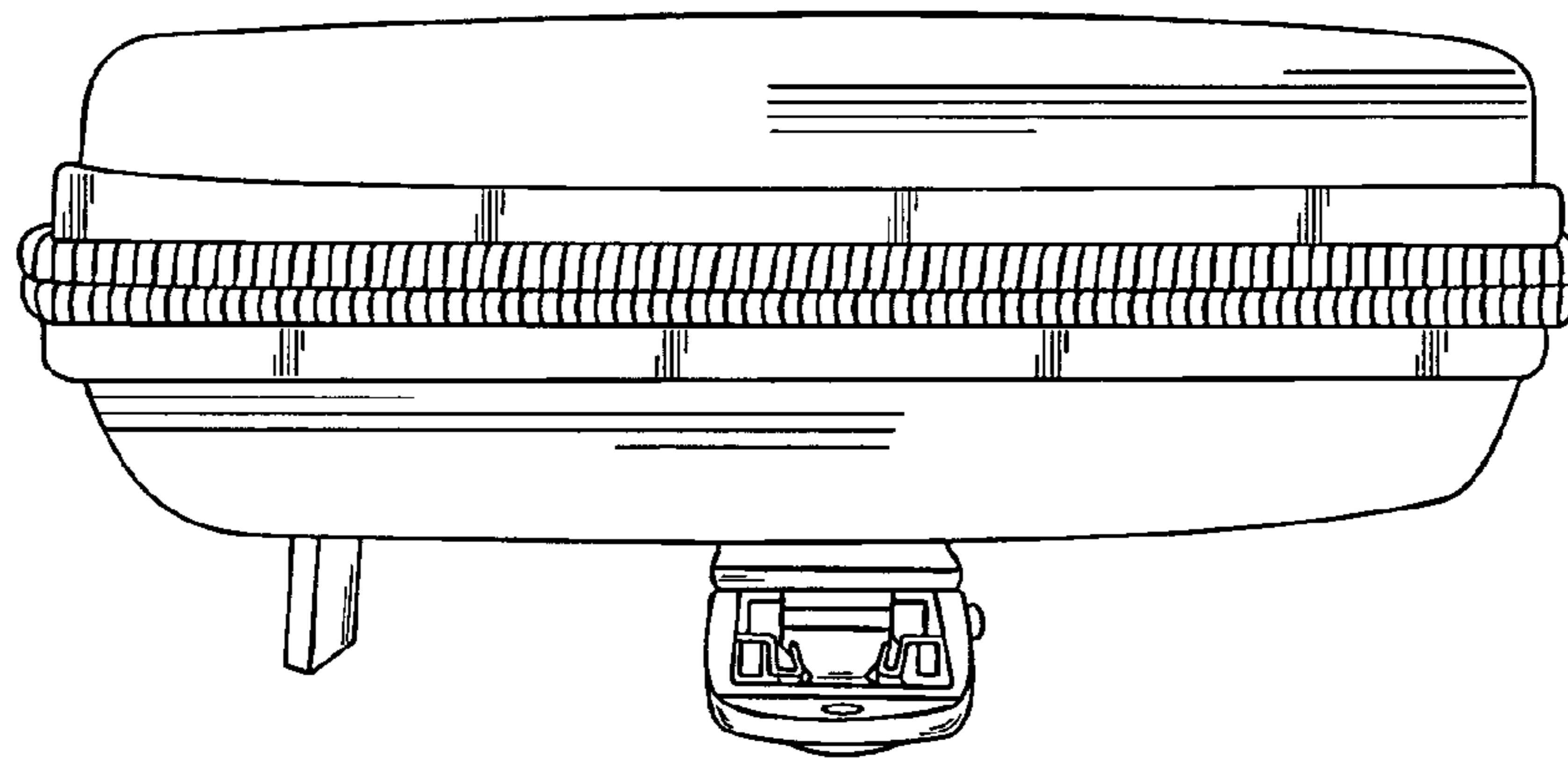


Figure 6

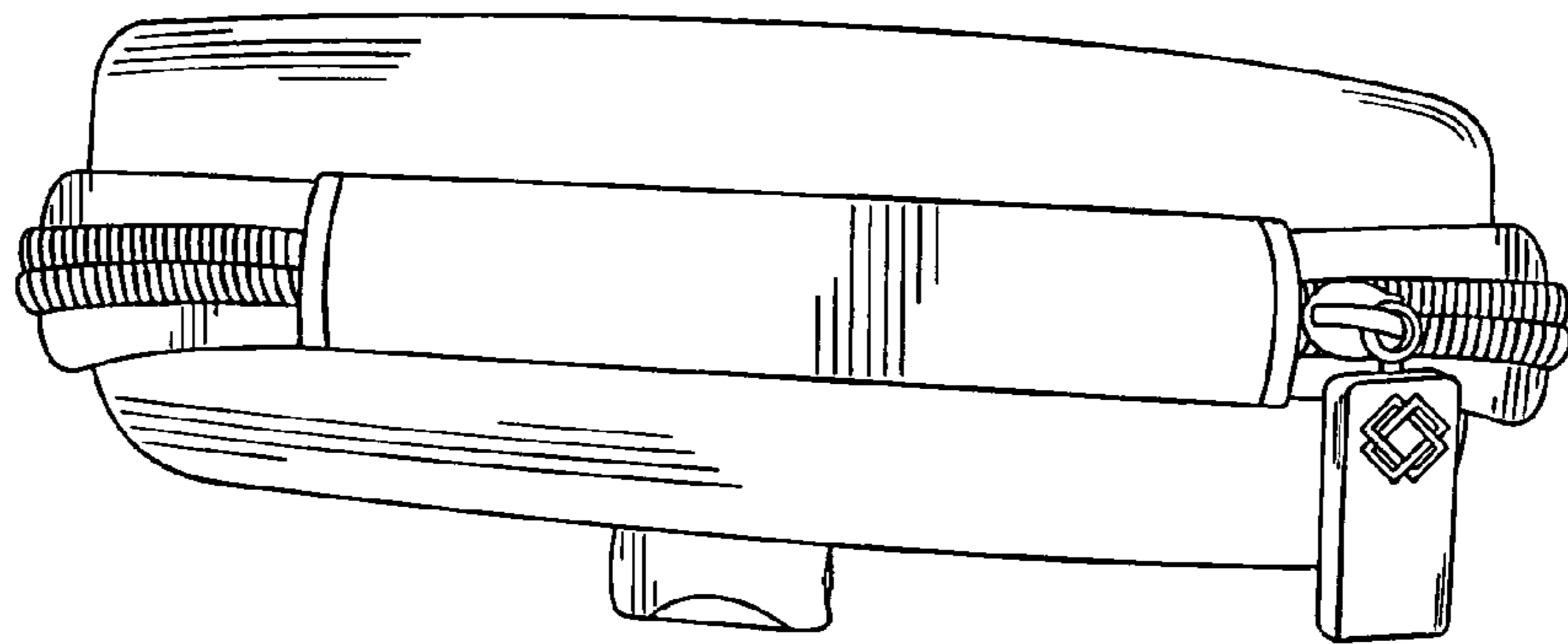


Figure 7

UNITED STATES PATENT AND TRADEMARK OFFICE
CERTIFICATE OF CORRECTION

PATENT NO. : D716,041 S
APPLICATION NO. : 29/455550
DATED : October 28, 2014
INVENTOR(S) : Dennis Lauchengco and Brian Pimentel

Page 1 of 1

It is certified that error appears in the above-identified patent and that said Letters Patent is hereby corrected as shown below:

Title Page

On page 1, under the heading of Applicants (71) and Inventor (72) for Brian Pimentel you have the address written as 'Concord, CA (US)' but it should read --Concord (CA)--.

Signed and Sealed this
Eighteenth Day of August, 2015



Michelle K. Lee
Director of the United States Patent and Trademark Office