



US00D716040S

(12) **United States Design Patent**
Soriano et al.

(10) **Patent No.:** **US D716,040 S**
(45) **Date of Patent:** **** Oct. 28, 2014**

(54) **ARMBAND**

(71) Applicant: **Superior Communications, Inc.**,
Irwindale, CA (US)

(72) Inventors: **Bryan Michael Soriano**, Pomona, CA
(US); **Vivian Wei-Fen Chou**, Diamond
Bar, CA (US)

(73) Assignee: **Superior Communications, Inc.**,
Irwindale, CA (US)

(**) Term: **14 Years**

(21) Appl. No.: **29/475,670**

(22) Filed: **Dec. 5, 2013**

(51) **LOC (10) Cl.** **03-01**

(52) **U.S. Cl.**
USPC **D3/218**

(58) **Field of Classification Search**
USPC D3/218, 215, 228; 224/219, 222, 267,
224/269, 152, 165, 575, 901.4, 930;
455/575.1-575.8; 248/114; 206/305,
206/320

See application file for complete search history.

(56) **References Cited**

U.S. PATENT DOCUMENTS

D350,351 S * 9/1994 Nakamura D14/498
D471,705 S * 3/2003 Way D3/215

D548,457 S * 8/2007 Reinerio D3/218
D599,108 S * 9/2009 Brandenburg D3/218
D628,375 S * 12/2010 Andre et al. D3/218
D666,409 S * 9/2012 Andre et al. D3/218
8,260,384 B2 * 9/2012 Wulff et al. 455/575.6
8,474,669 B2 * 7/2013 Rohrbach et al. 224/222
8,534,514 B2 * 9/2013 Zhu et al. 224/165

* cited by examiner

Primary Examiner — Catheri Oliver-Garcia

(74) *Attorney, Agent, or Firm* — Snell & Wilmer LLP

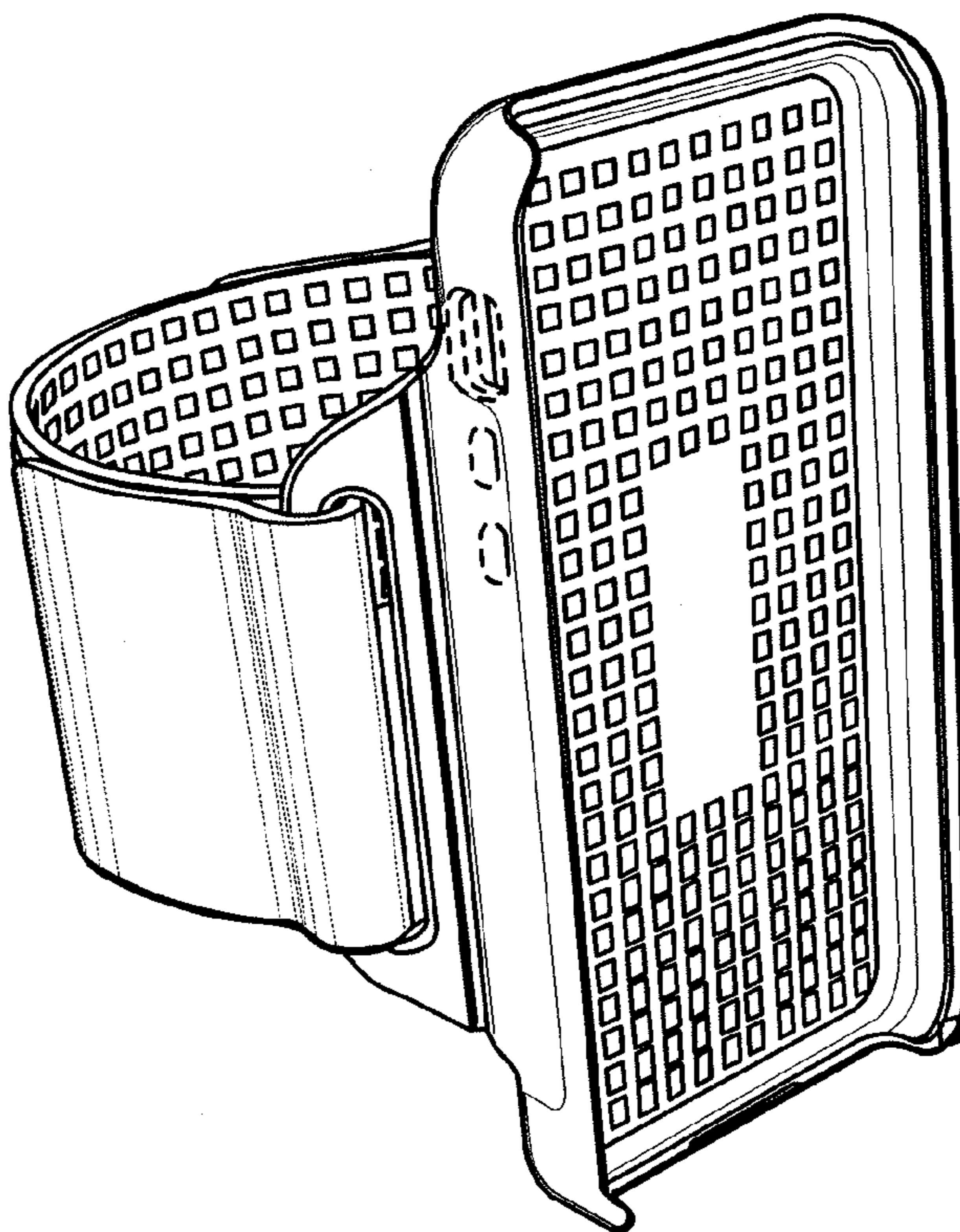
(57) **CLAIM**

We claim the ornamental design for an armband, as shown and described.

DESCRIPTION

FIG. 1 is a front and left side perspective view of the armband showing our new design;
FIG. 2 is a bottom perspective view of the armband;
FIG. 3 is a rear and left side perspective view of the armband;
FIG. 4 is a rear view of the armband;
FIG. 5 is a front view of the armband;
FIG. 6 is a left side view of the armband;
FIG. 7 is a right side view of the armband;
FIG. 8 is a top plan view of the armband; and,
FIG. 9 is a bottom plan view of the armband.
The broken lines in the FIGURES are for illustrative purposes only and form no part of the claimed design.

1 Claim, 5 Drawing Sheets



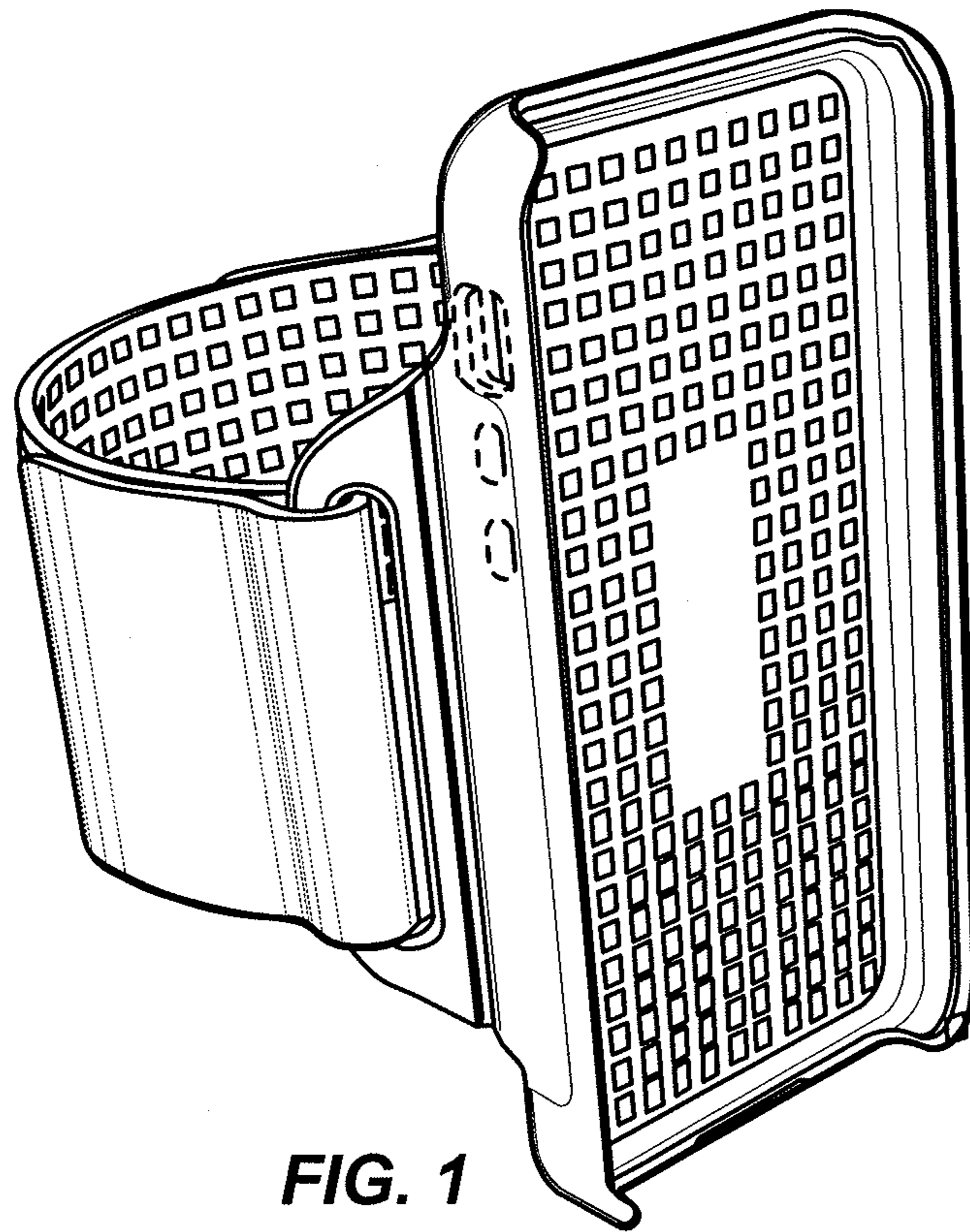


FIG. 1

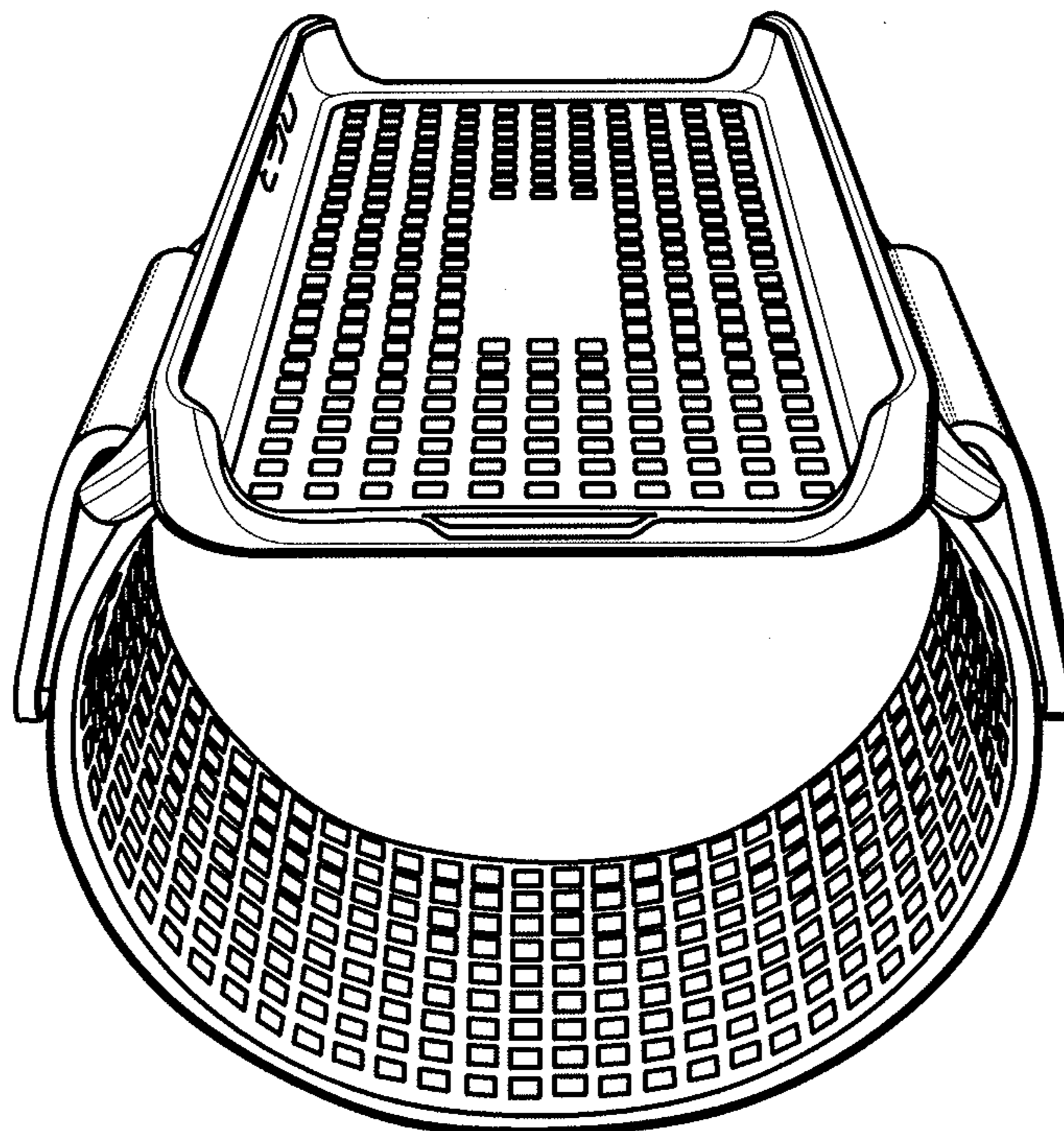


FIG. 2

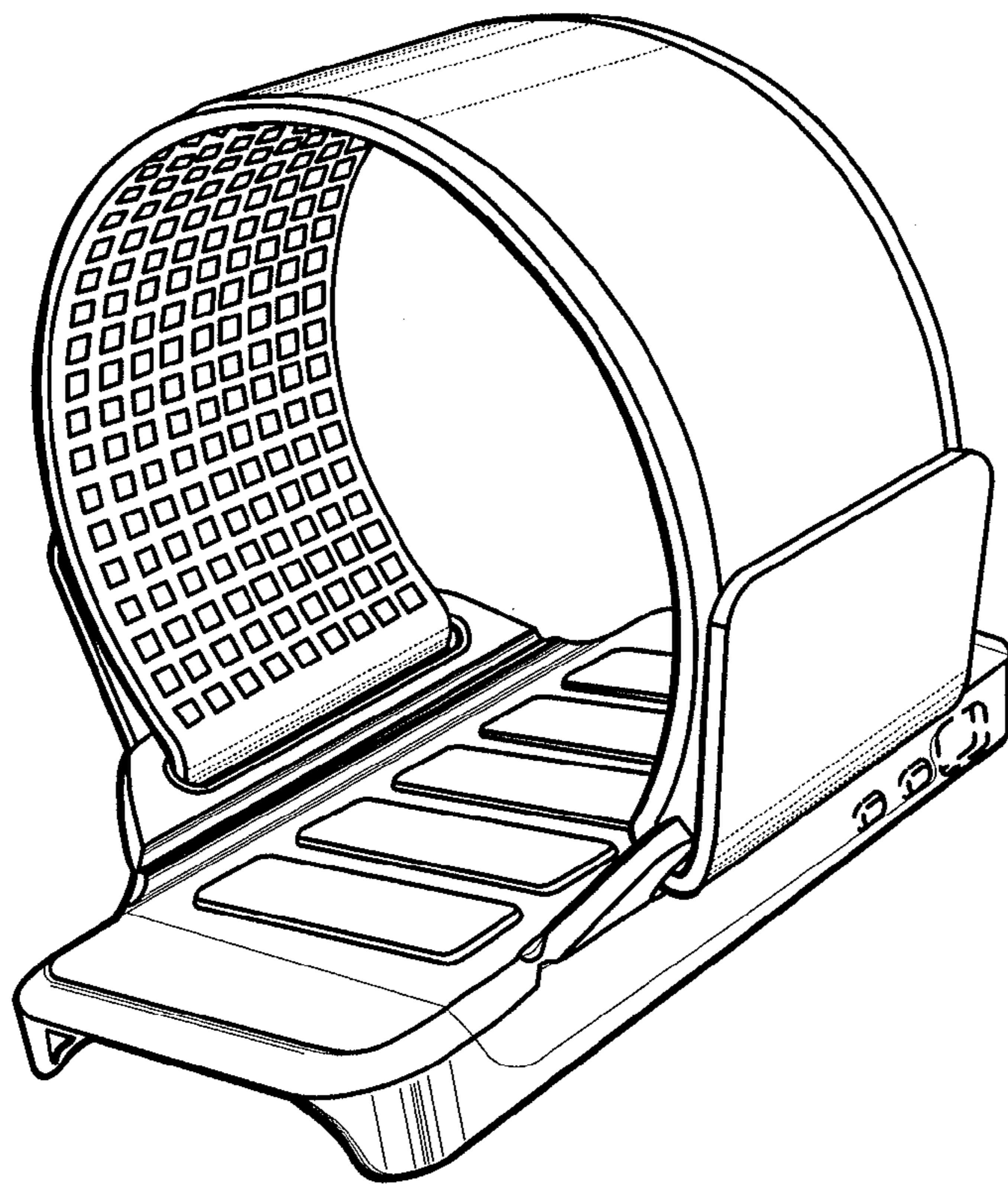


FIG. 3

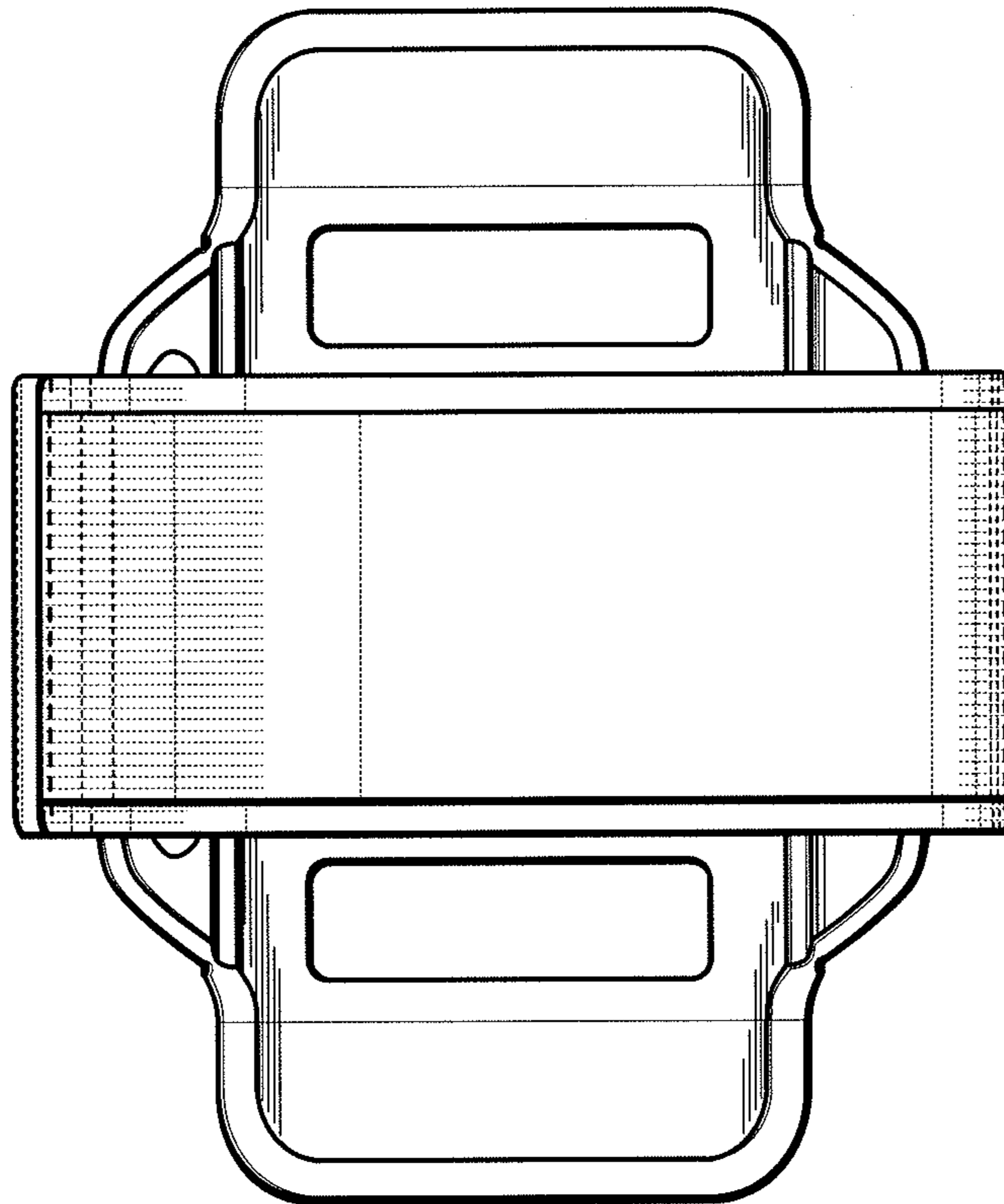


FIG. 4

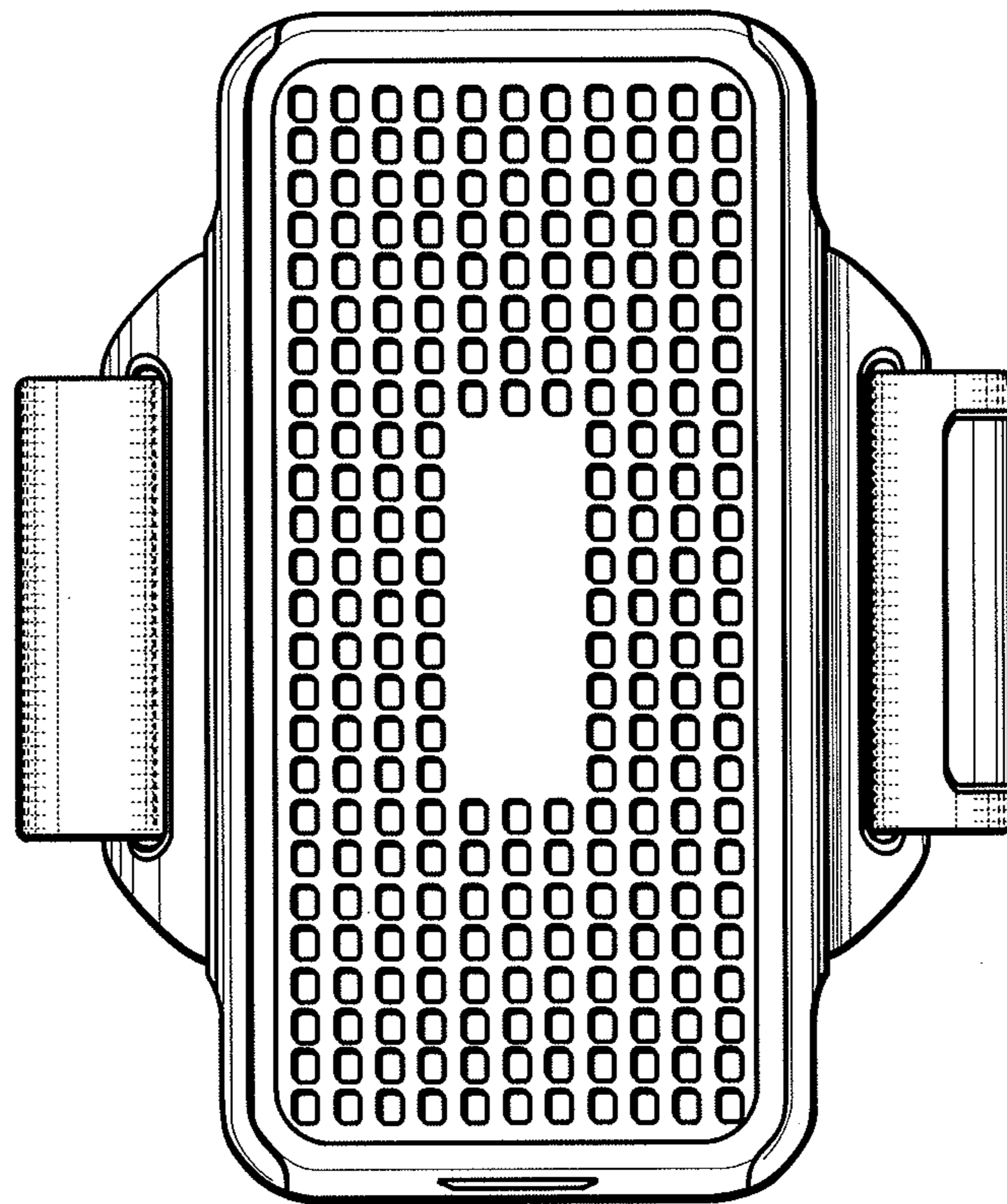


FIG. 5

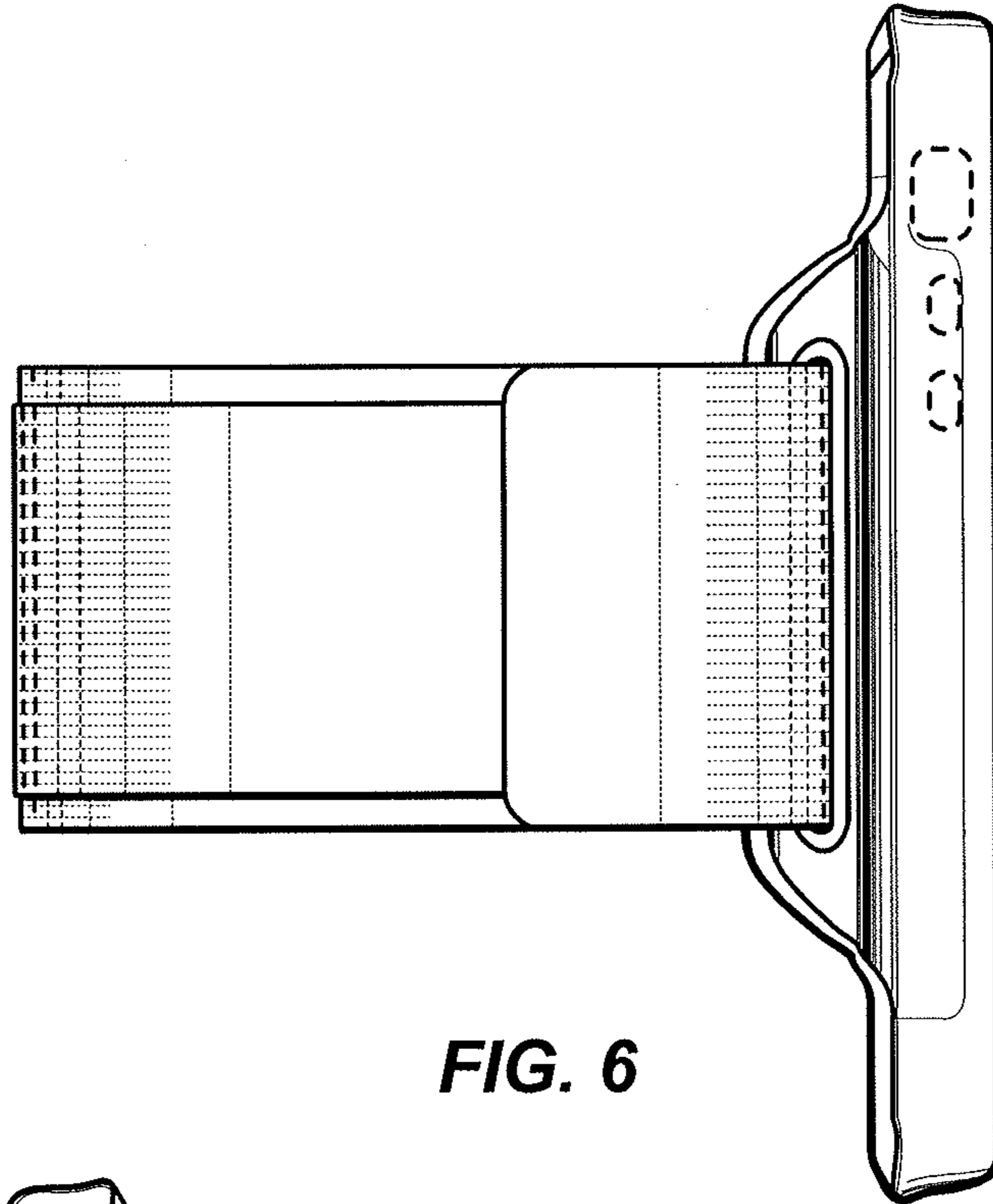


FIG. 6

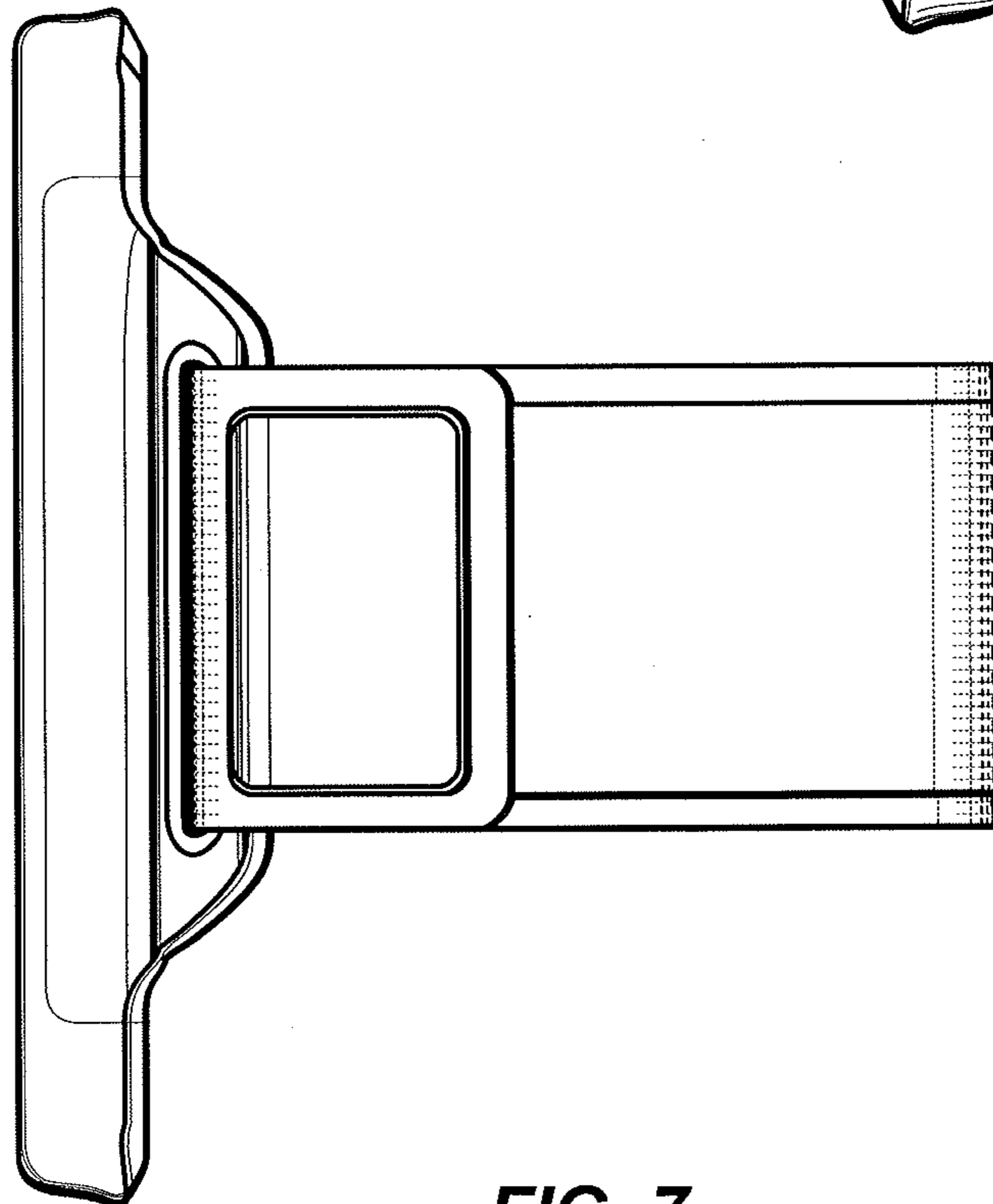


FIG. 7

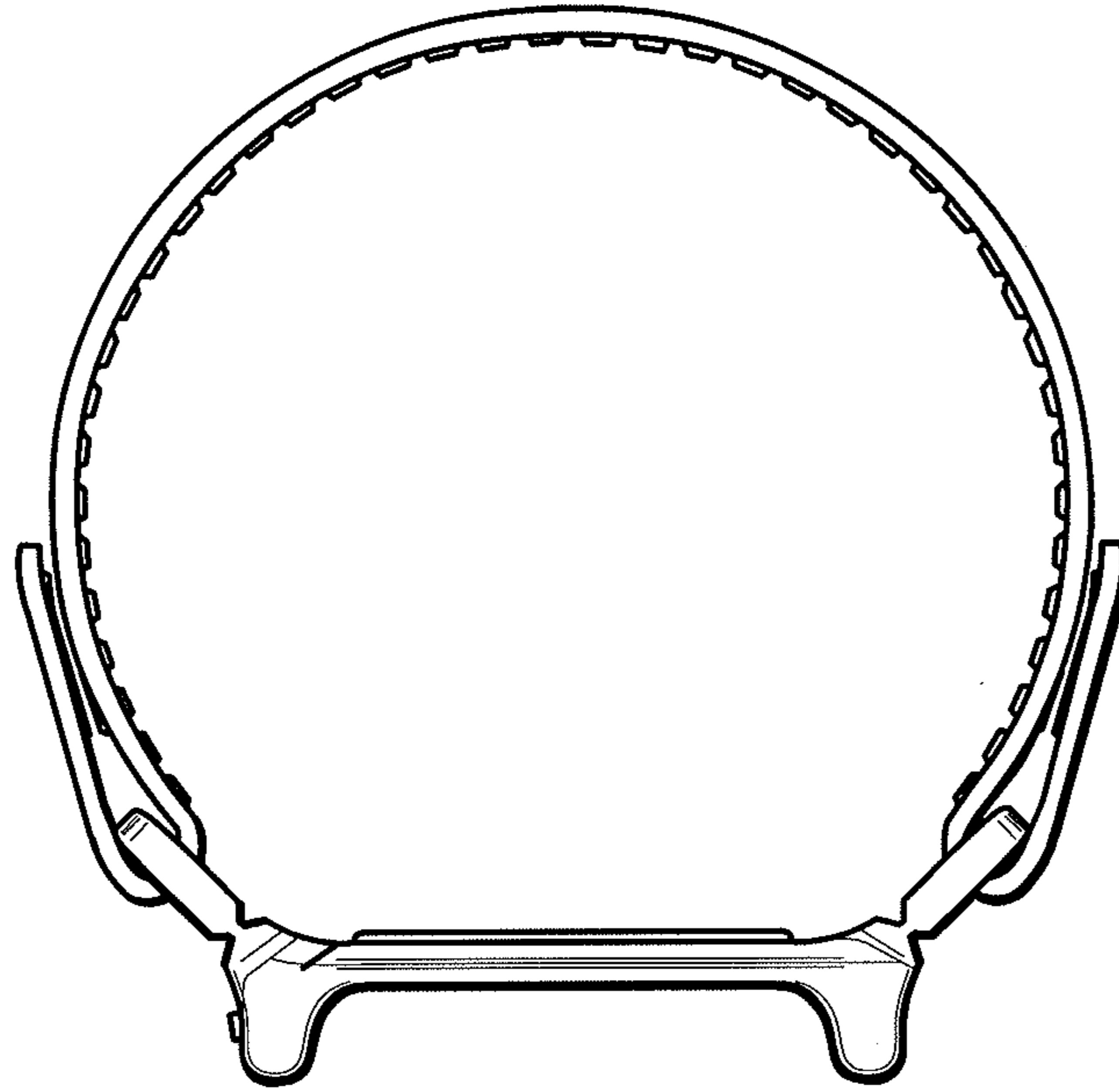


FIG. 8

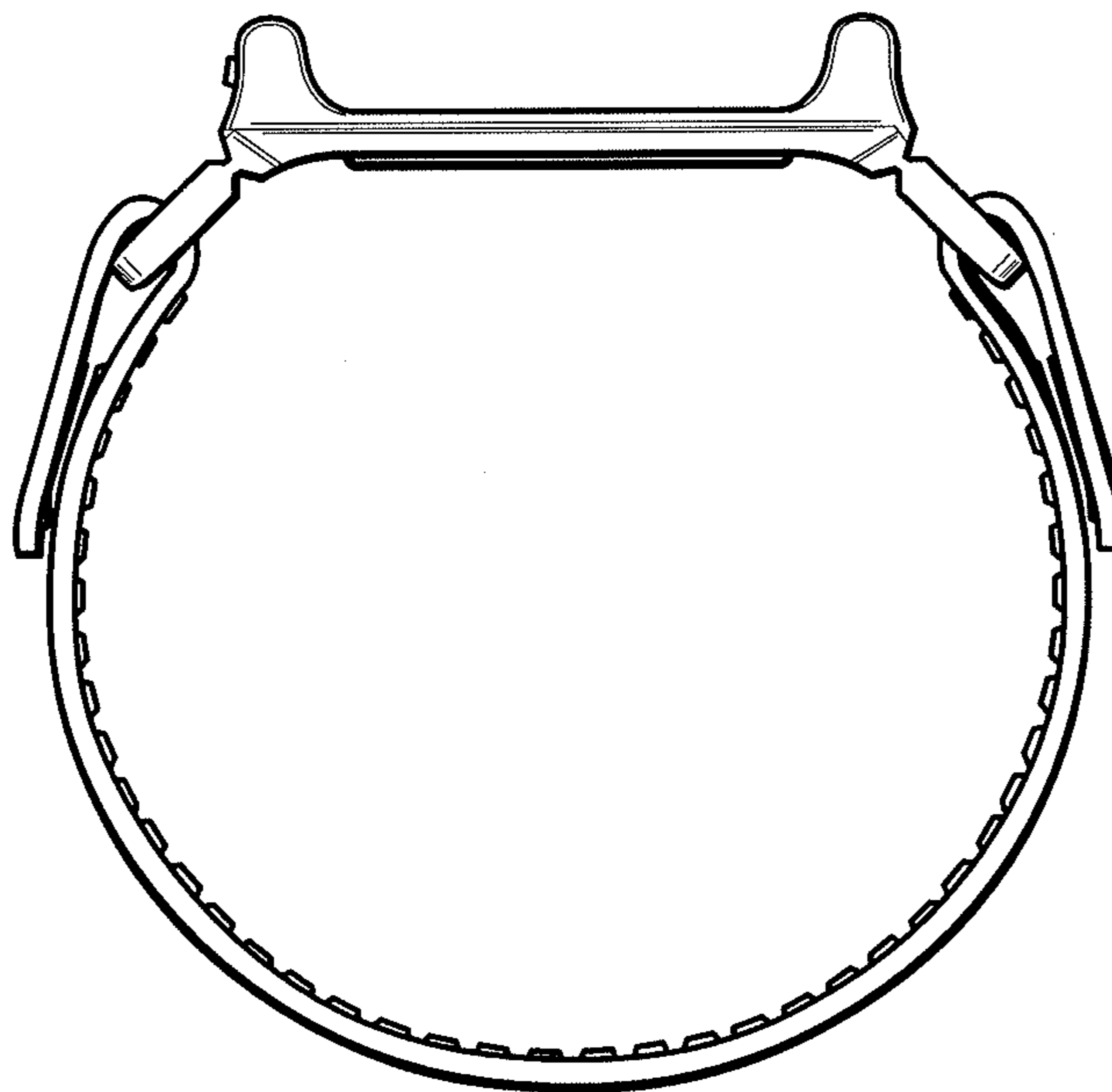


FIG. 9