



US00D716014S

(12) **United States Design Patent**  
**Gnanendran**

(10) **Patent No.:** **US D716,014 S**

(45) **Date of Patent:** **\*\* Oct. 21, 2014**

(54) **ANIMAL WASTE BAG DISPENSER AND COLLECTION STATION**

(75) Inventor: **Abaragidan Gnanendran,**  
Saint-Laurent (CA)

(73) Assignee: **9252-8595 Quebec Inc.,** Quebec (CA)

(\*\*) Term: **14 Years**

(21) Appl. No.: **29/430,973**

(22) Filed: **Aug. 31, 2012**

(51) **LOC (10) Cl.** ..... **09-09**

(52) **U.S. Cl.**  
USPC ..... **D34/5**

(58) **Field of Classification Search**  
USPC ..... D34/1-11; 220/908-911, 476, 480,  
220/481; 248/95, 97, 99, 129, 174  
See application file for complete search history.

(56) **References Cited**

U.S. PATENT DOCUMENTS

3,288,305	A *	11/1966	Bryant et al.	.....	211/85.19
3,908,853	A *	9/1975	Keesling	.....	220/475
4,717,186	A	1/1988	Yoshioka		
4,955,505	A	9/1990	Battaglia		
5,167,377	A	12/1992	Chalmers		
D332,195	S *	1/1993	Hines	.....	D6/519
5,344,200	A	9/1994	Yoshioka		
6,152,079	A	11/2000	Chandler		
6,170,692	B1	1/2001	Johnston		
D450,899	S *	11/2001	Caron	.....	D34/1
6,446,903	B1	9/2002	Bazan		
6,578,730	B2	6/2003	Trunsky		
7,077,443	B1	7/2006	Jones		
7,325,849	B2	2/2008	Jones		

7,523,972	B1	4/2009	Wawrzynowski		
D661,926	S *	6/2012	Kluck	.....	D6/512
D669,240	S *	10/2012	Staves	.....	D34/5
8,544,413	B1	10/2013	Gnanendran		
2003/0029881	A1	2/2003	Trunsky		
2004/0090073	A1	5/2004	Edwards et al.		
2009/0151645	A1	6/2009	Fangsrud		

\* cited by examiner

*Primary Examiner* — Cynthia Ramirez

(74) *Attorney, Agent, or Firm* — Brinks Gilson & Lione

(57) **CLAIM**

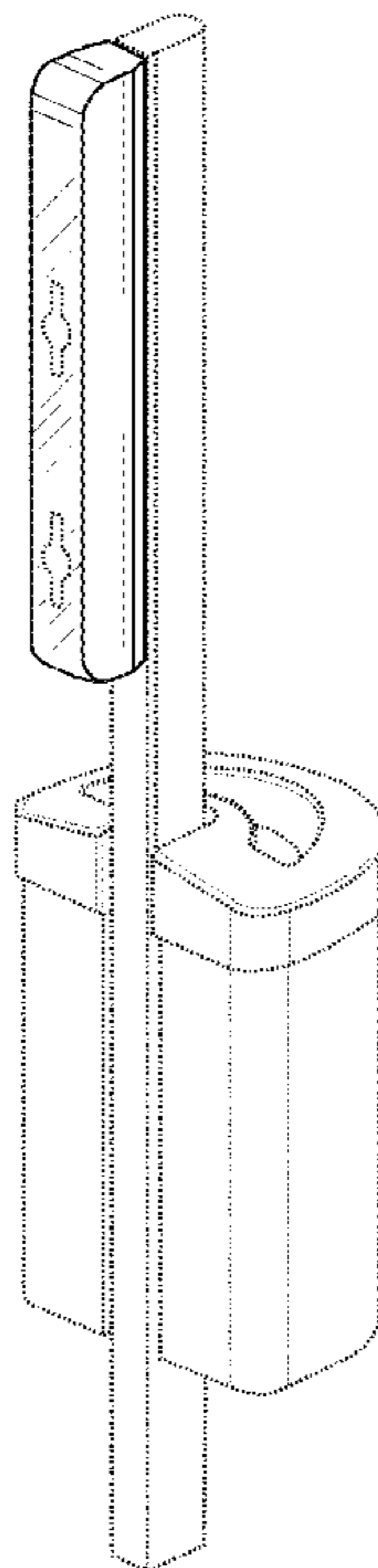
The ornamental design for an animal waste bag dispenser and collection station, as shown and described.

**DESCRIPTION**

FIG. 1 is a perspective view showing an animal waste bag dispenser for an animal waste bag dispenser and collection station according to one embodiment; FIG. 2 is another perspective view; FIG. 3 is a rear view; FIG. 4 is a front view; FIG. 5 is a left side view; FIG. 6 is a right side view; FIG. 7 is a top view; and, FIG. 8 is a bottom view of the animal waste bag dispenser for an animal waste bag dispenser and collection station according to one embodiment.

The ornamental design that is claimed is shown in solid lines in the drawings. Any broken or phantom lines in the drawings form no part of the claimed design. Specifically, the broken lines of FIGS. 1-8 are for the purpose of illustrating one example of possible environmental features of the embodiment illustrated therein.

**1 Claim, 4 Drawing Sheets**



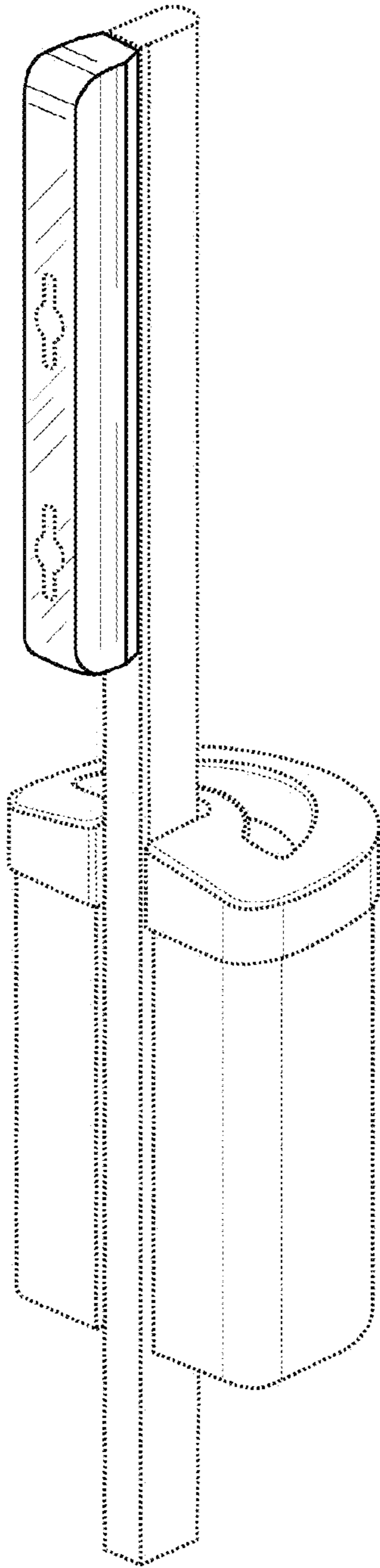


FIG. 1

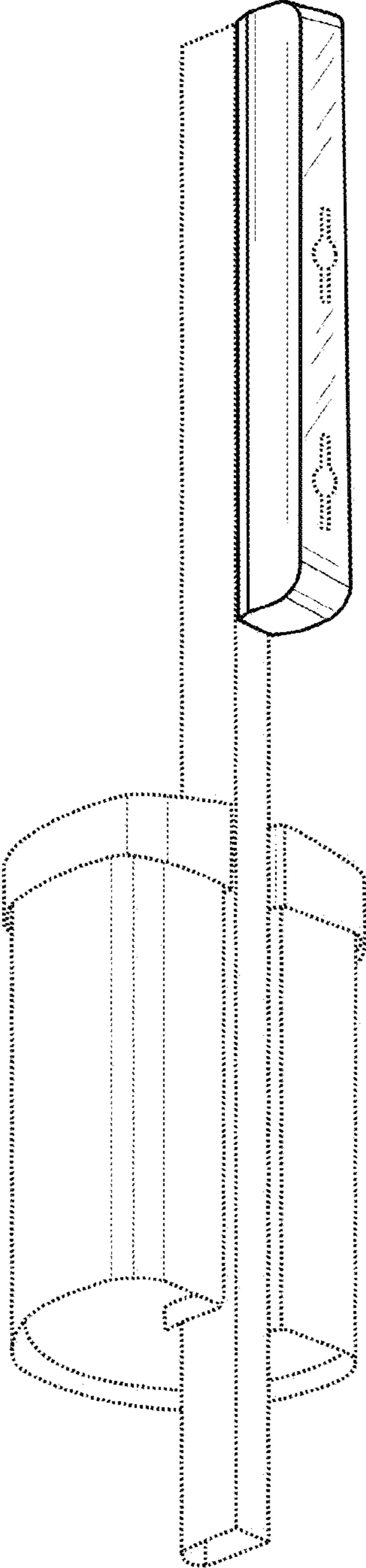


FIG. 2

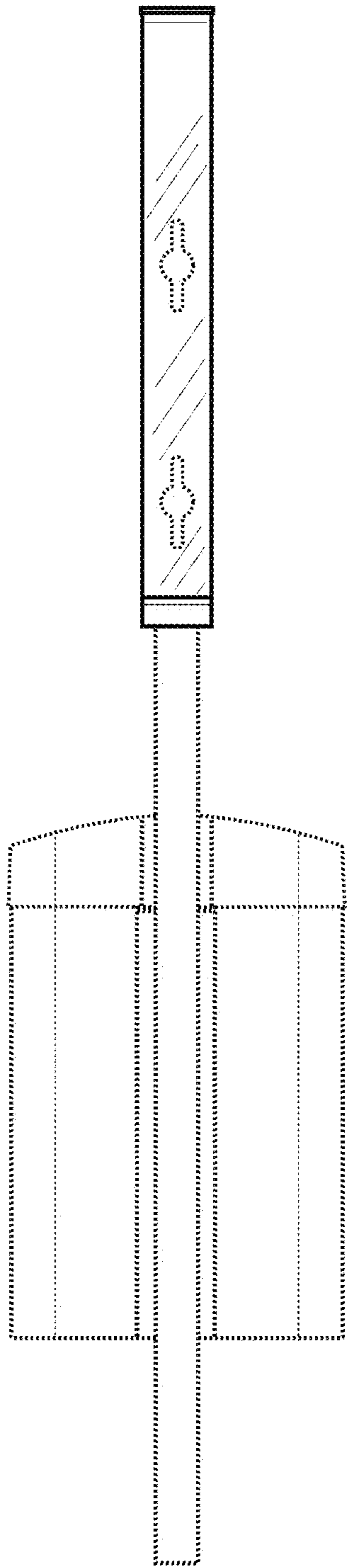


FIG. 3

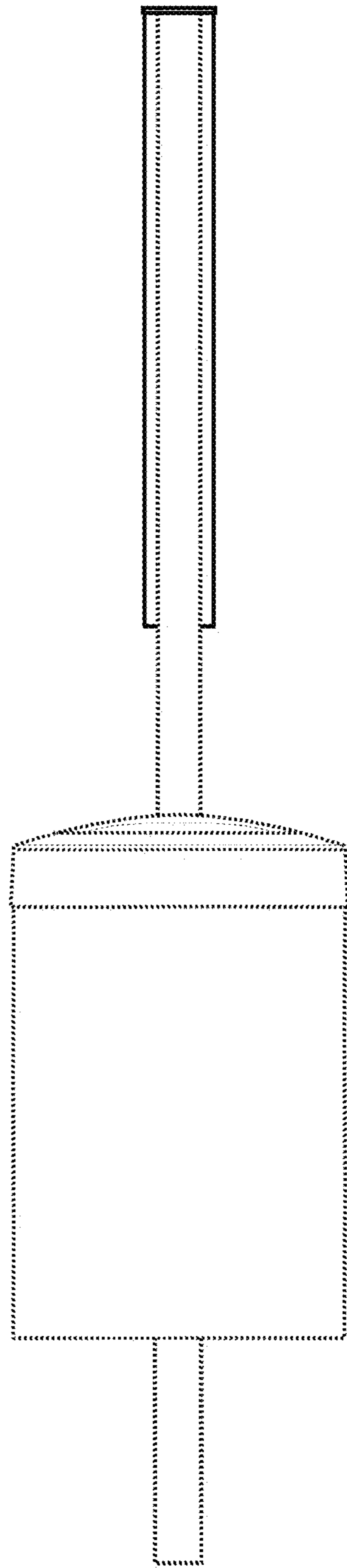


FIG. 4

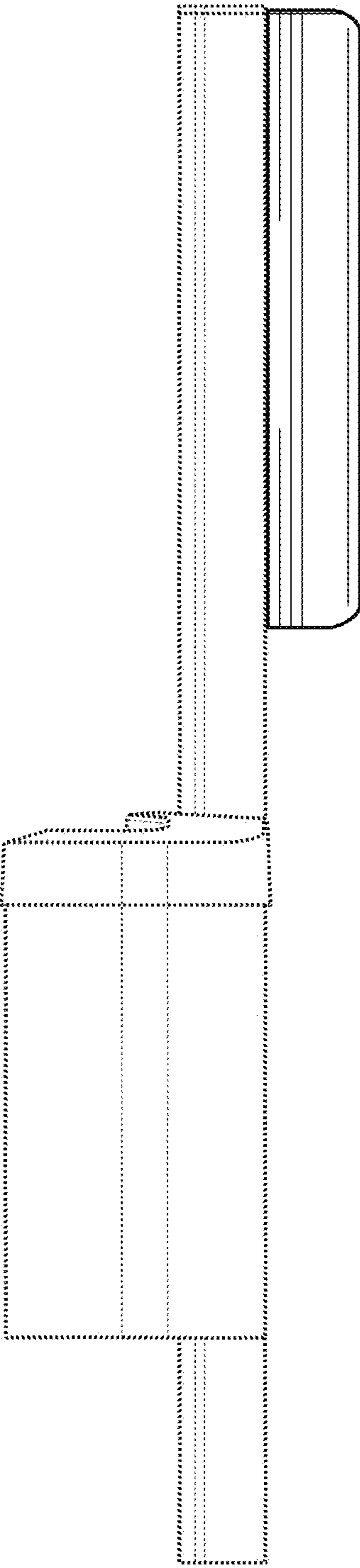


FIG. 5

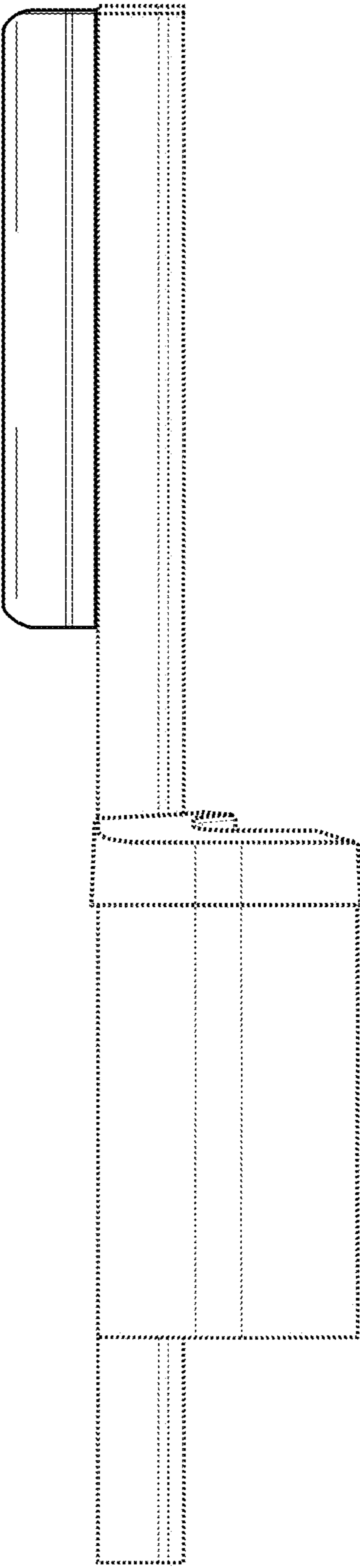


FIG. 6

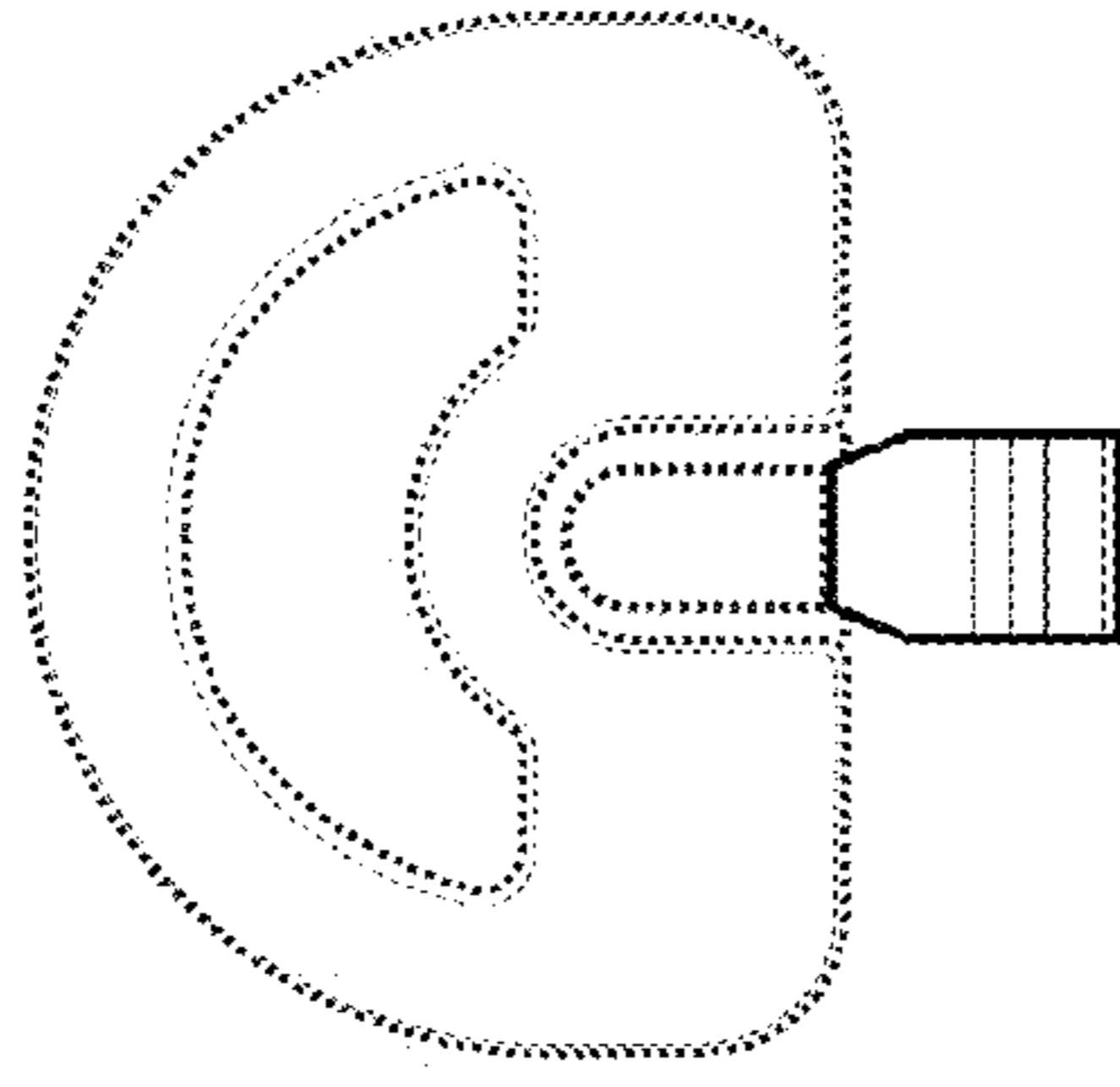


FIG. 7

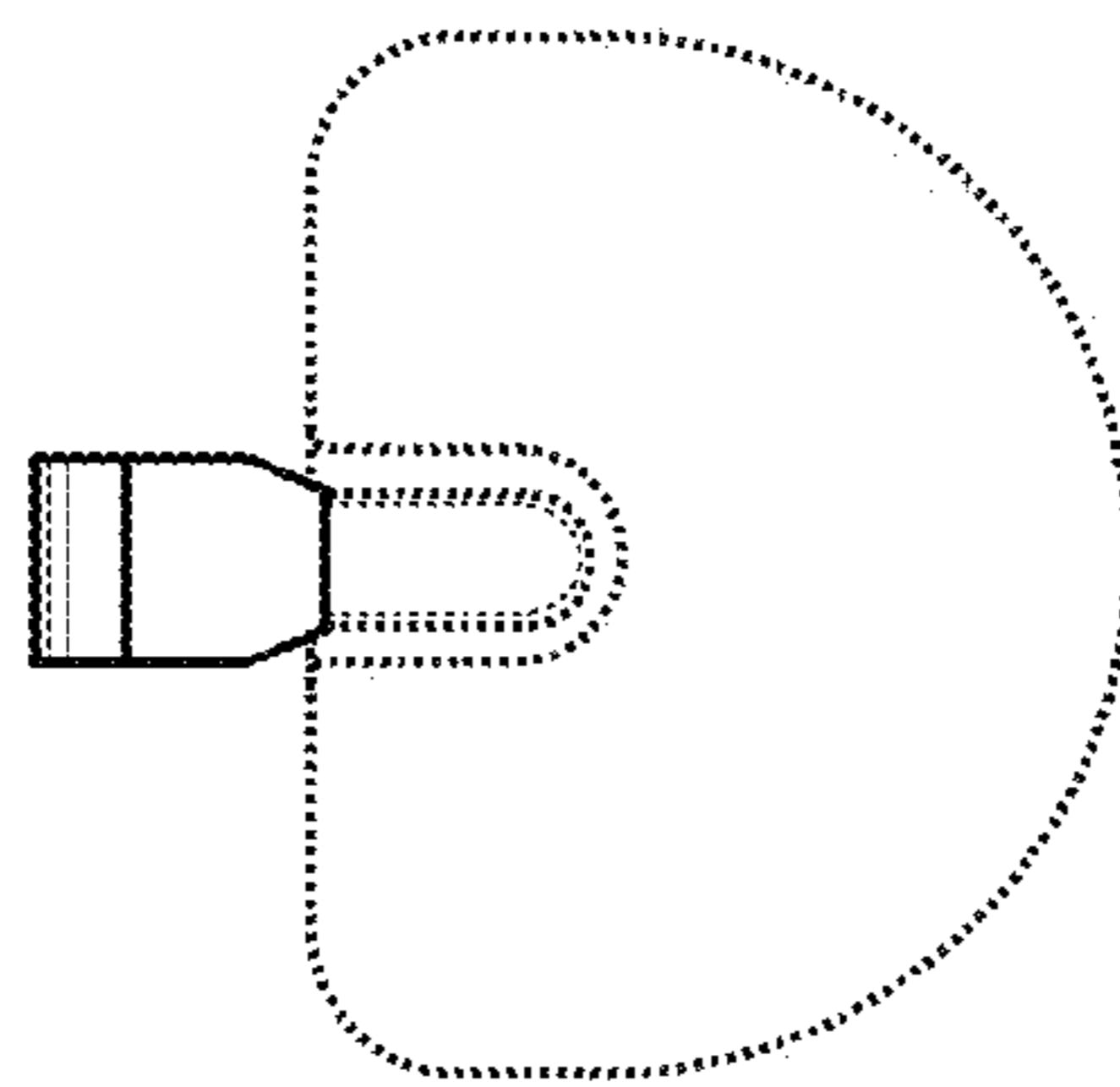


FIG. 8