



US00D716011S

(12) **United States Design Patent**
Jackson et al.

(10) **Patent No.:** **US D716,011 S**
(45) **Date of Patent:** **** Oct. 21, 2014**

(54) **CONTAINER**

(71) Applicant: **Pailpac Proprietary Limited**, New Germany (ZA)

(72) Inventors: **Gavin Wayne Jackson**, Alverstone (ZA); **Theodorus Daniel Moolman**, Salt Rock (ZA)

(73) Assignee: **Pailpac Proprietary Limited**, New Germany (ZA)

(**) Term: **14 Years**

(21) Appl. No.: **29/464,034**

(22) Filed: **Aug. 12, 2013**

(30) **Foreign Application Priority Data**

Feb. 12, 2013 (ZA) A2013/00296
Feb. 12, 2013 (ZA) A2013/00301

(51) **LOC (10) Cl.** **07-07**

(52) **U.S. Cl.**
USPC **D32/53**

(58) **Field of Classification Search**
CPC B65D 1/42; B65D 41/56; B65D 41/48
USPC D32/53, 53.1, 54; 15/260–264; 220/904
See application file for complete search history.

(56) **References Cited**

U.S. PATENT DOCUMENTS

D233,218 S * 10/1974 Lynn D32/53
3,866,791 A * 2/1975 Roper et al. 220/770

(Continued)

Primary Examiner — Robin V Webster

(74) *Attorney, Agent, or Firm* — Osha Liang LLP

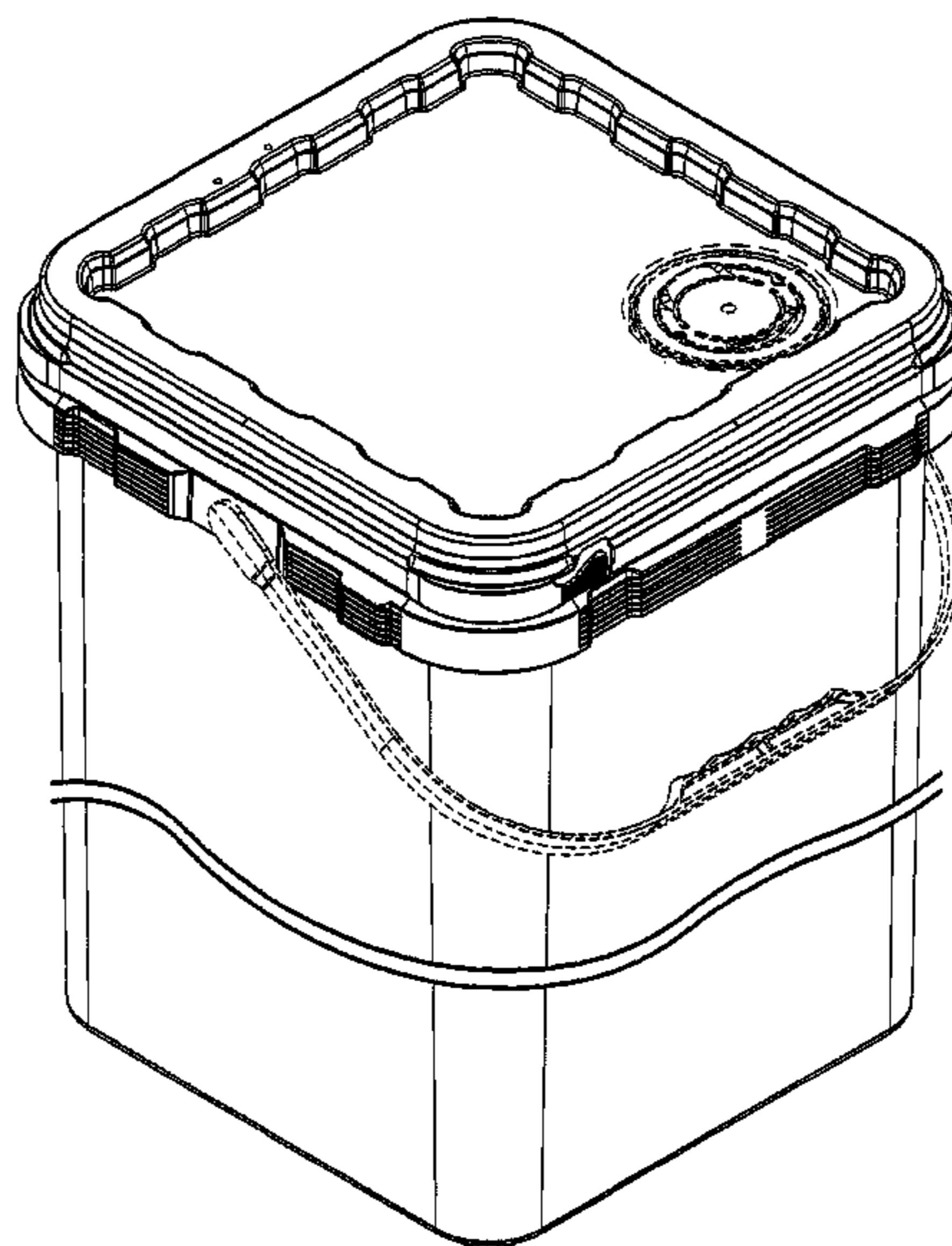
(57) **CLAIM**

The ornamental design for a container, as shown and described.

DESCRIPTION

FIG. 1 is a top perspective view of a container incorporating our ornamental design;
FIG. 2 is a front view of the container incorporating our ornamental design;
FIG. 3 is a rear view of the container incorporating our ornamental design;
FIG. 4 is a side view of the container incorporating our ornamental design;
FIG. 5 is an opposite side view of the container incorporating our ornamental design;
FIG. 6 is a top view of the container incorporating our ornamental design;
FIG. 7 is a bottom view of the container incorporating our ornamental design;
FIG. 8 is a top perspective view of a container incorporating an alternative embodiment of our ornamental design;
FIG. 9 is a front view of the container of FIG. 8;
FIG. 10 is a rear view of the container of FIG. 8;
FIG. 11 is a side view of the container of FIG. 8;
FIG. 12 is an opposite side view of the container of FIG. 8;
FIG. 13 is a top view of the container of FIG. 8;
FIG. 14 is a top perspective view of a container incorporating an alternative embodiment of our ornamental design;
FIG. 15 is a front view of the container of FIG. 14;
FIG. 16 is a rear view of the container of FIG. 14;
FIG. 17 is a side view of the container of FIG. 14;
FIG. 18 is an opposite side view of the container of FIG. 14;
FIG. 19 is a top view of the container of FIG. 14; and
FIG. 20 is a bottom view of the container of FIG. 14.
The broken line showing of a cap, handle and vents is included for the purpose of illustrating environmental structure and forms no part of the claimed design.

1 Claim, 20 Drawing Sheets



US D716,011 S

Page 2

(56)

References Cited

U.S. PATENT DOCUMENTS

D295,093 S * 4/1988 Tapdrup D32/53
D327,555 S * 6/1992 Juergens D34/1

D506,608 S * 6/2005 Dong D3/276
D593,269 S * 5/2009 Weiler D32/53
D608,066 S * 1/2010 Pearl et al. D32/53
D688,018 S * 8/2013 Duquenoy et al. D32/53

* cited by examiner

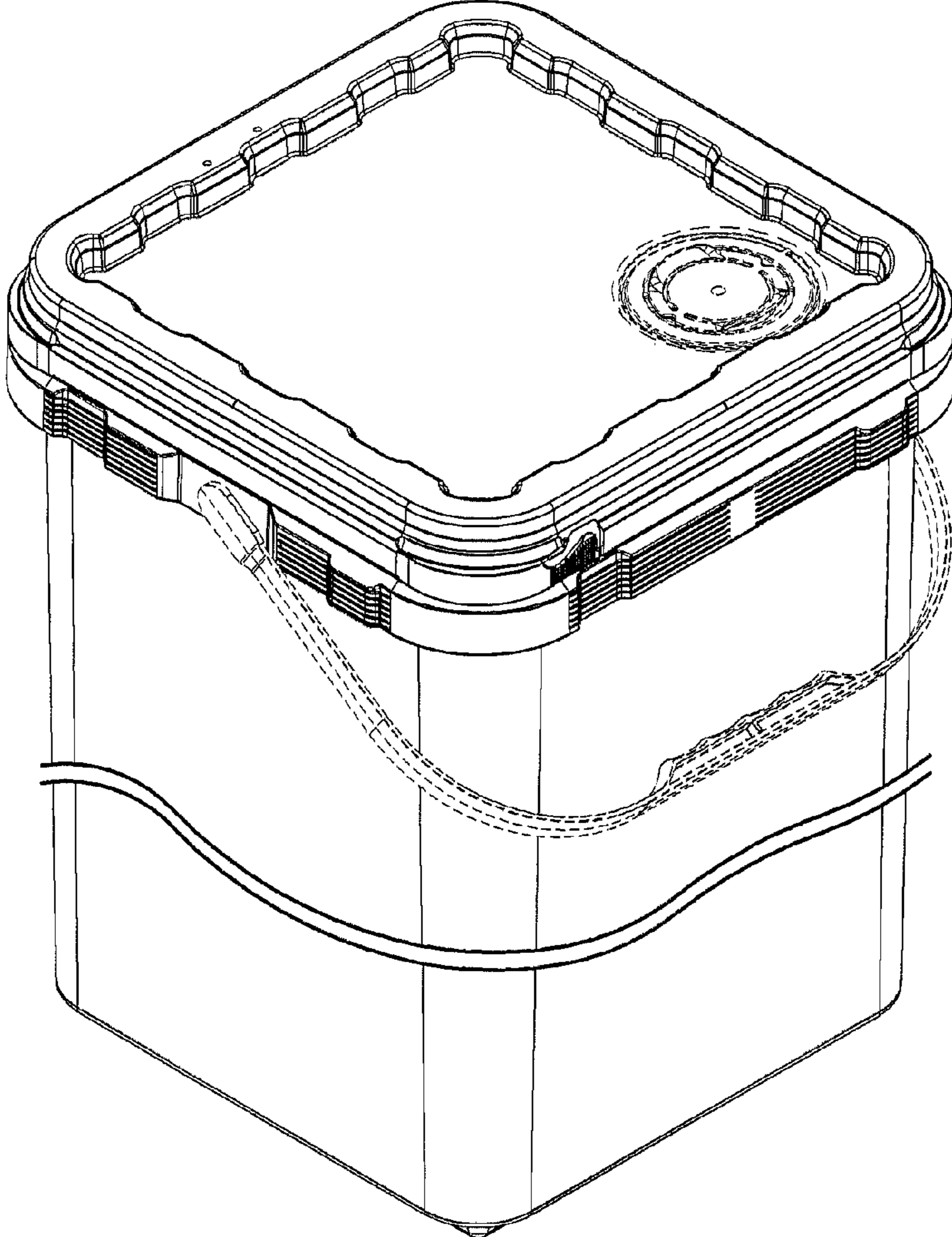


FIG1

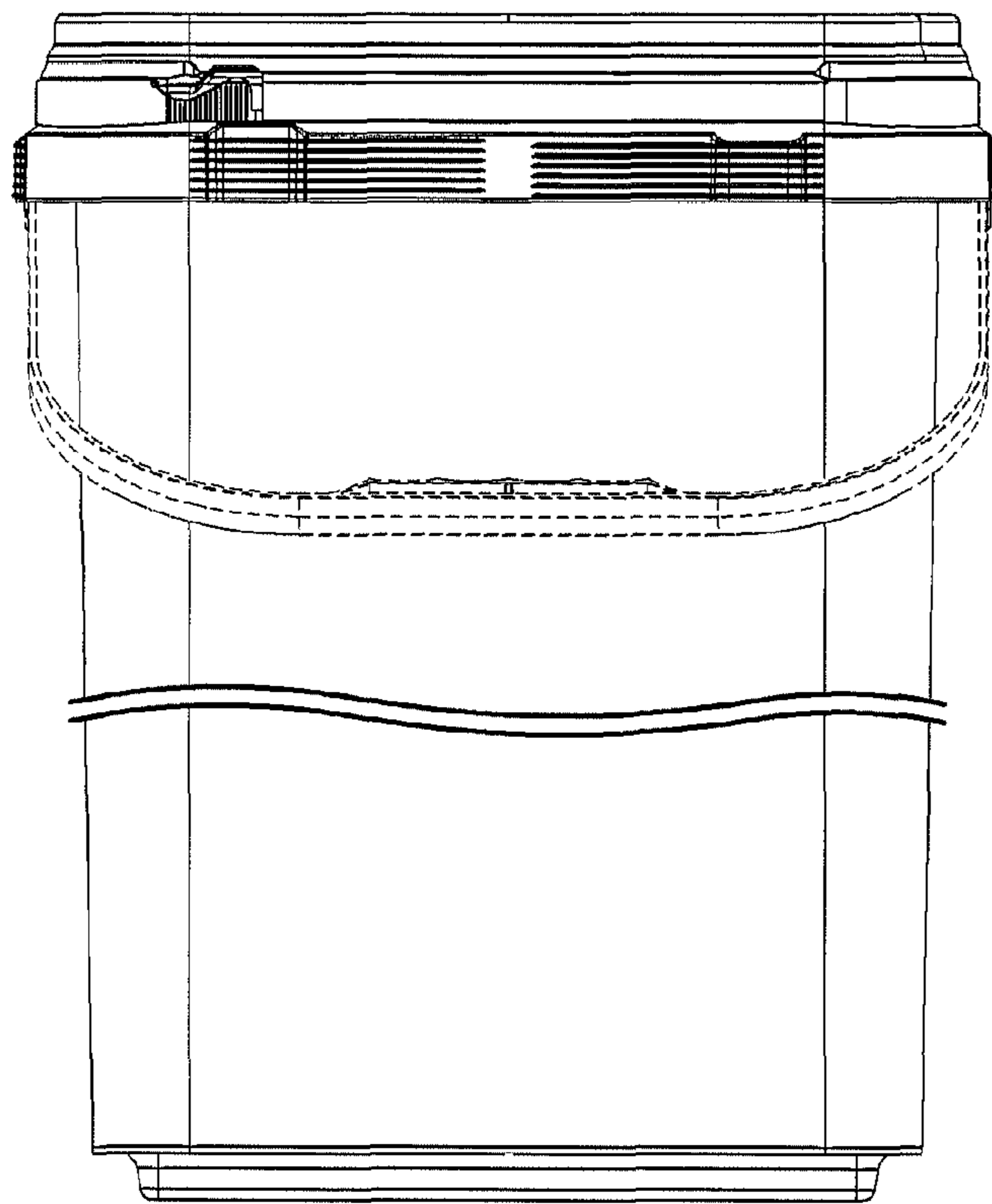


FIG 2

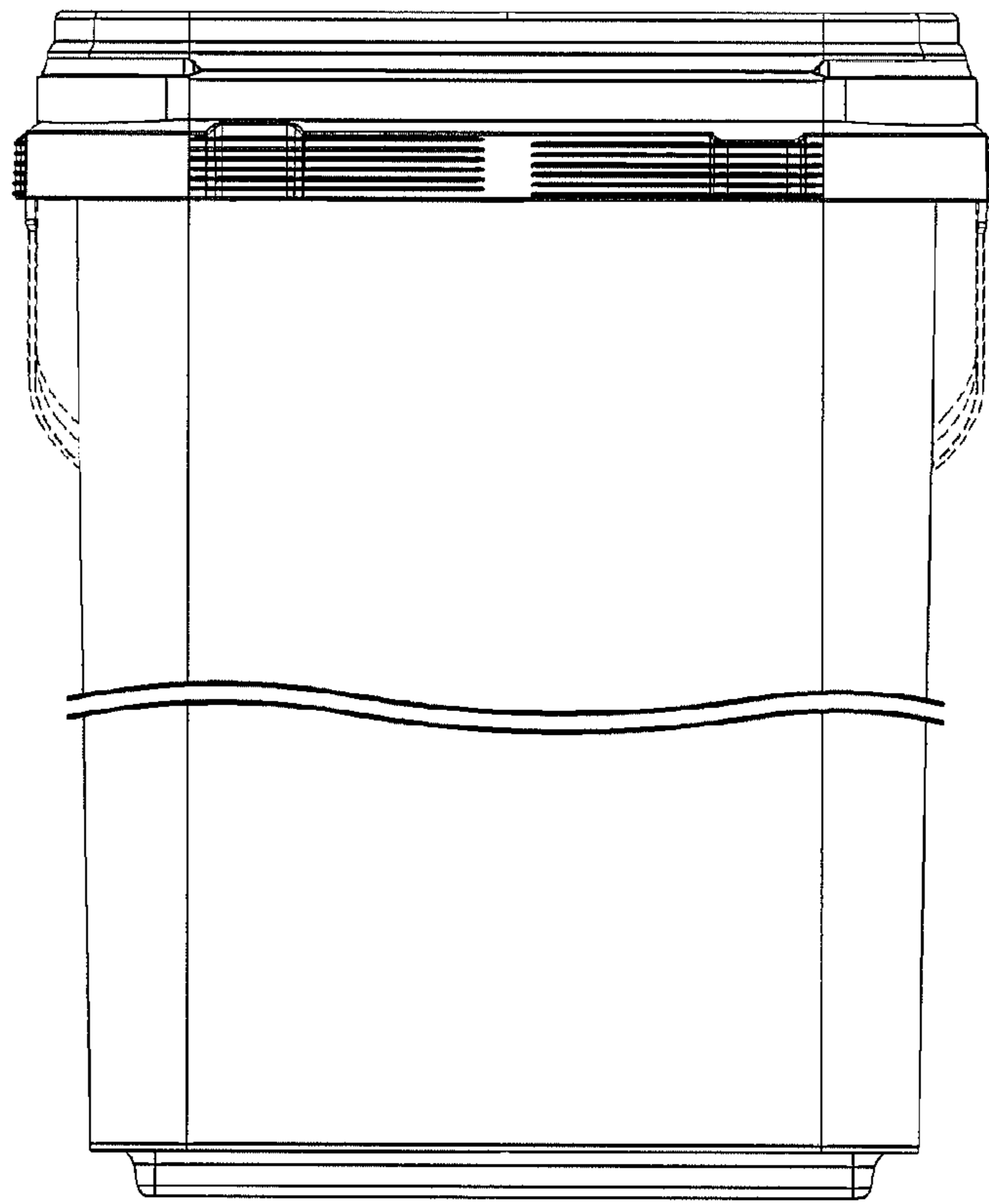


FIG 3

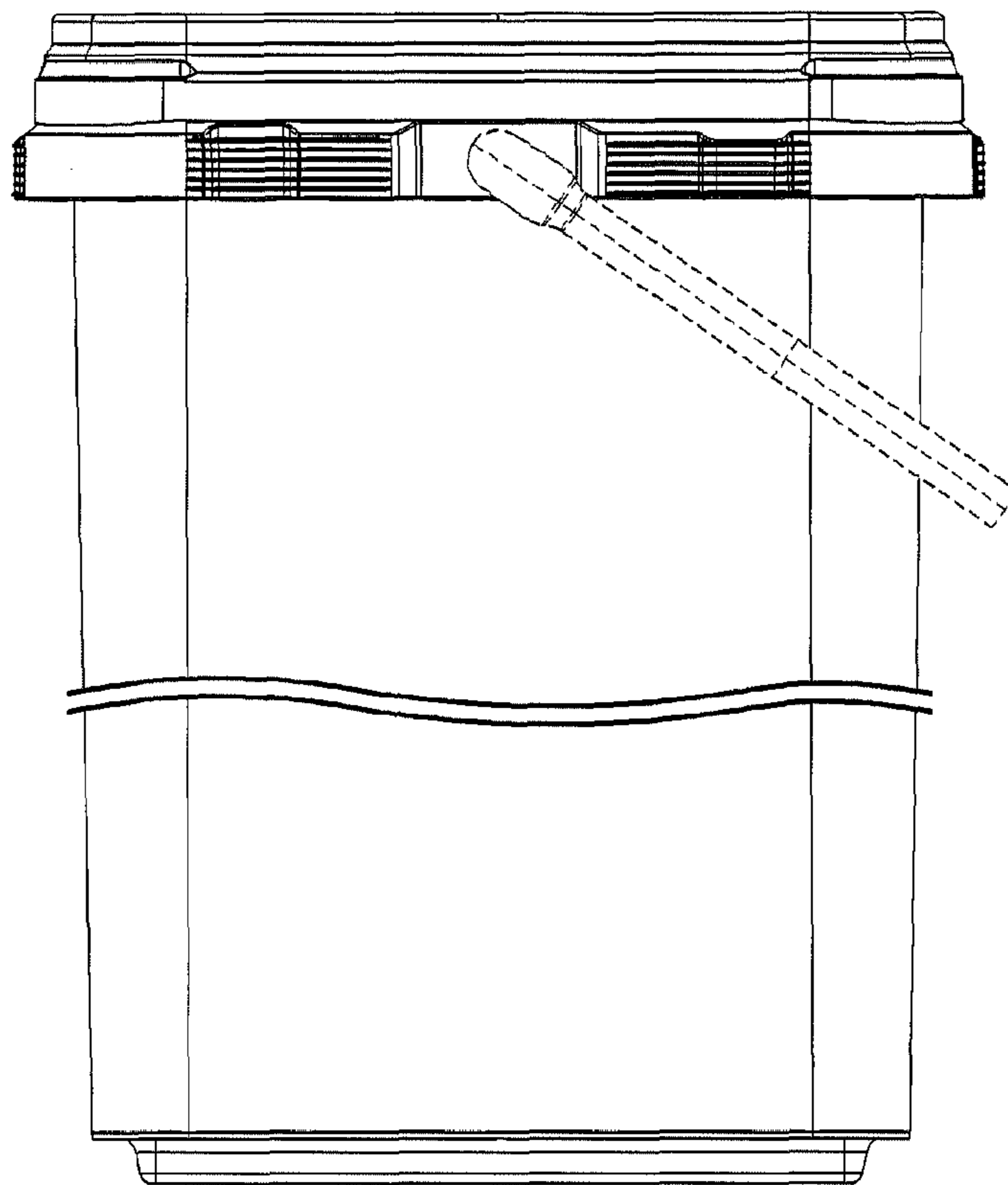


FIG 4

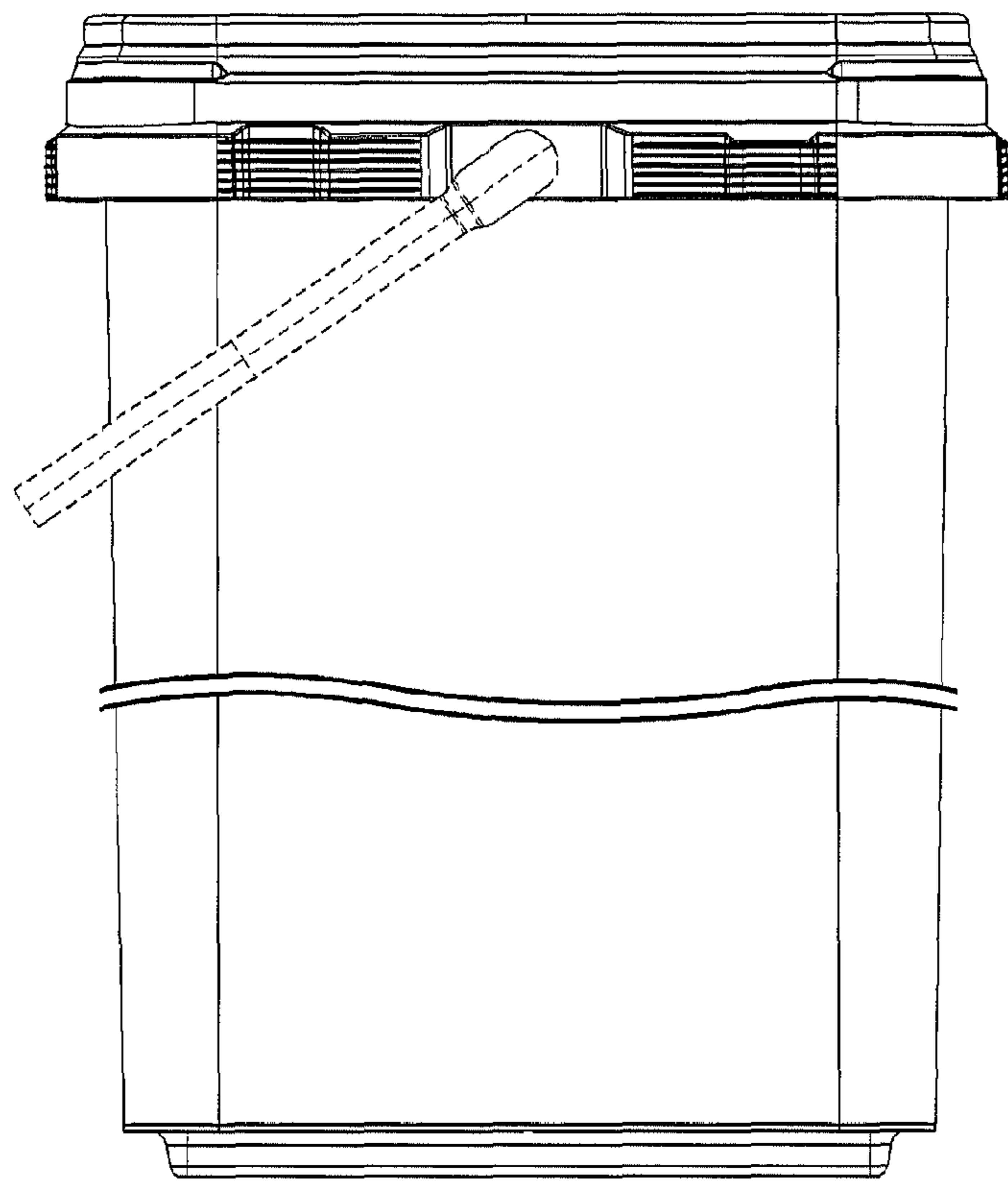


FIG 5

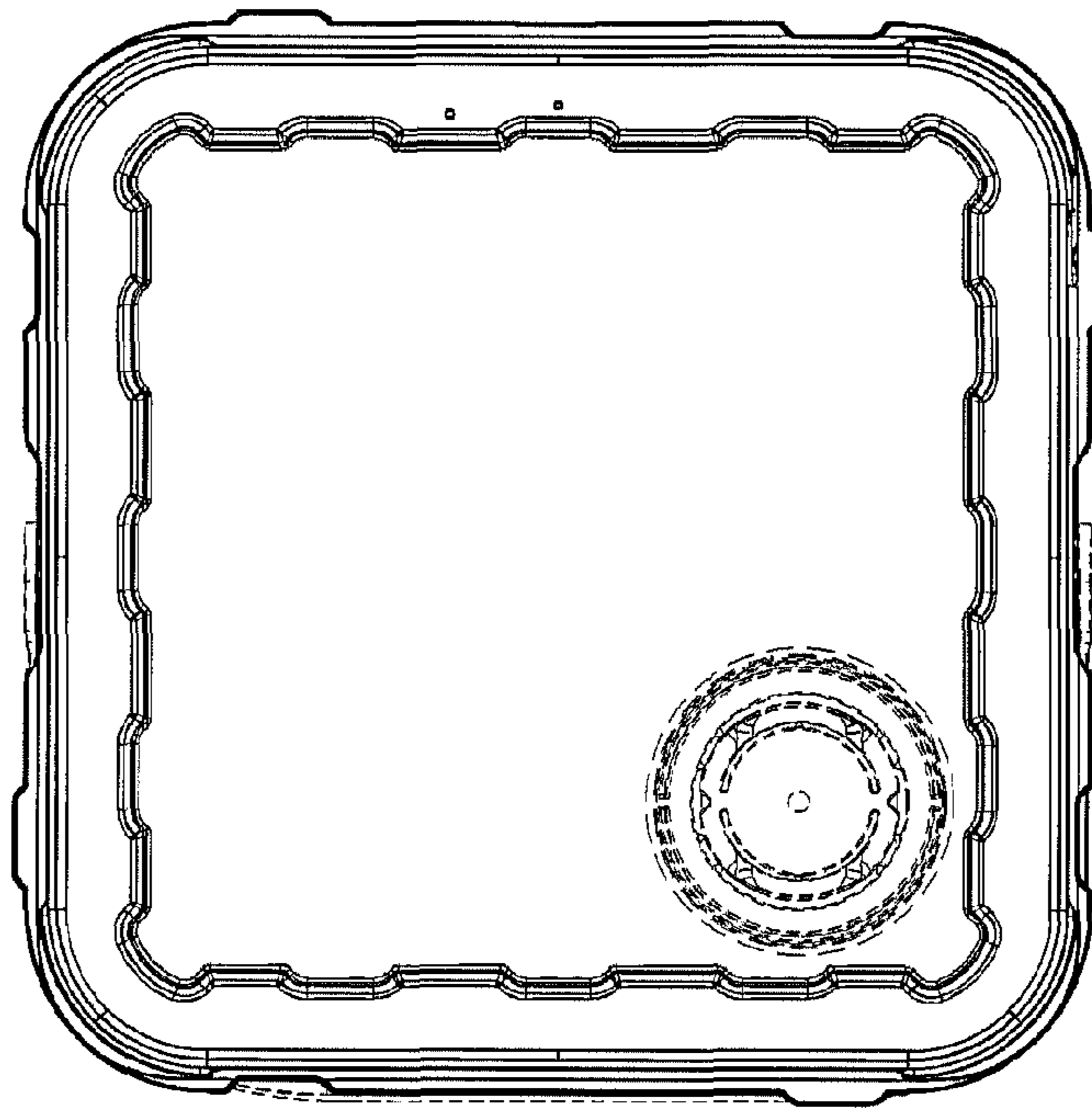


FIG 6

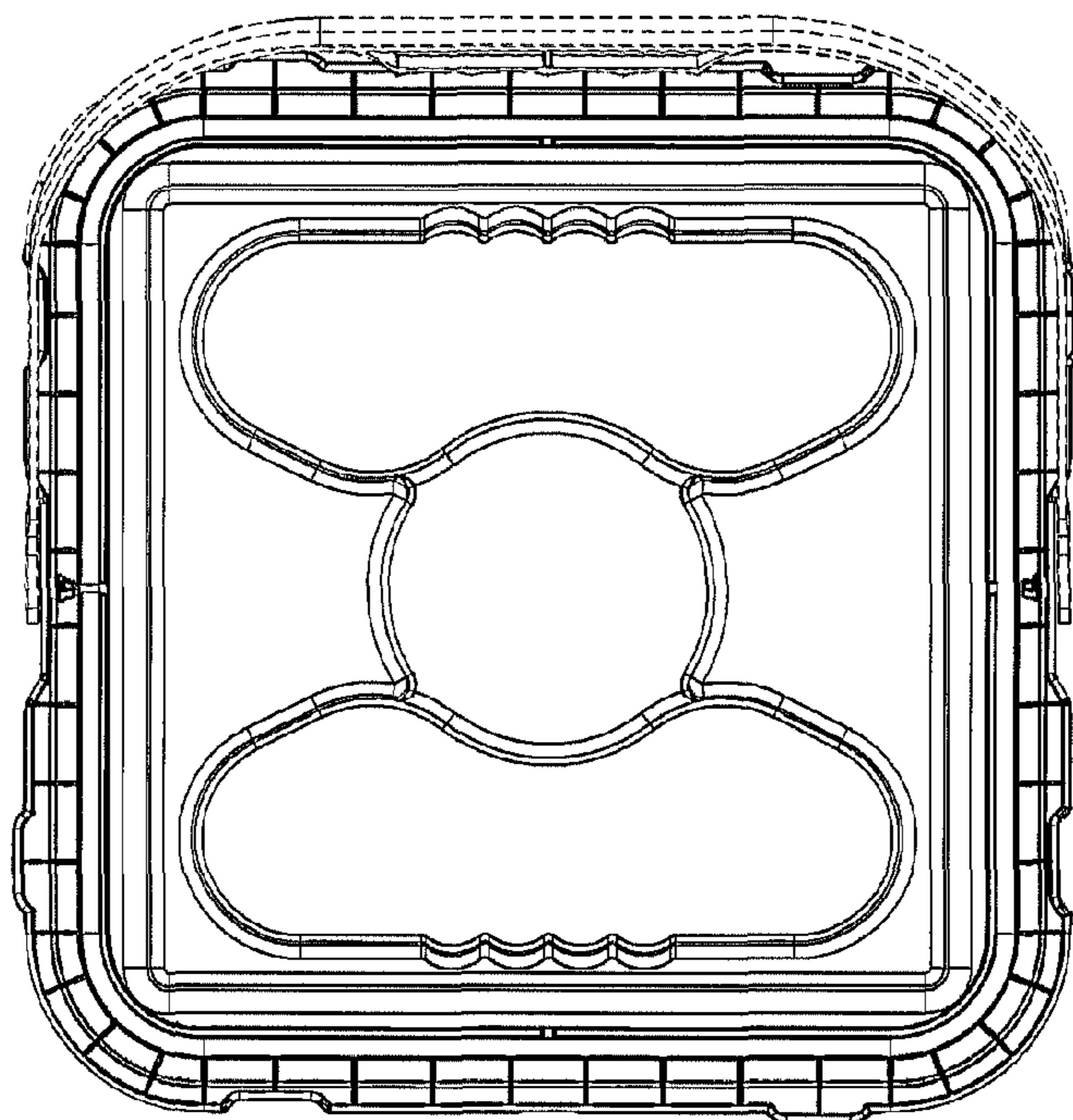


FIG 7

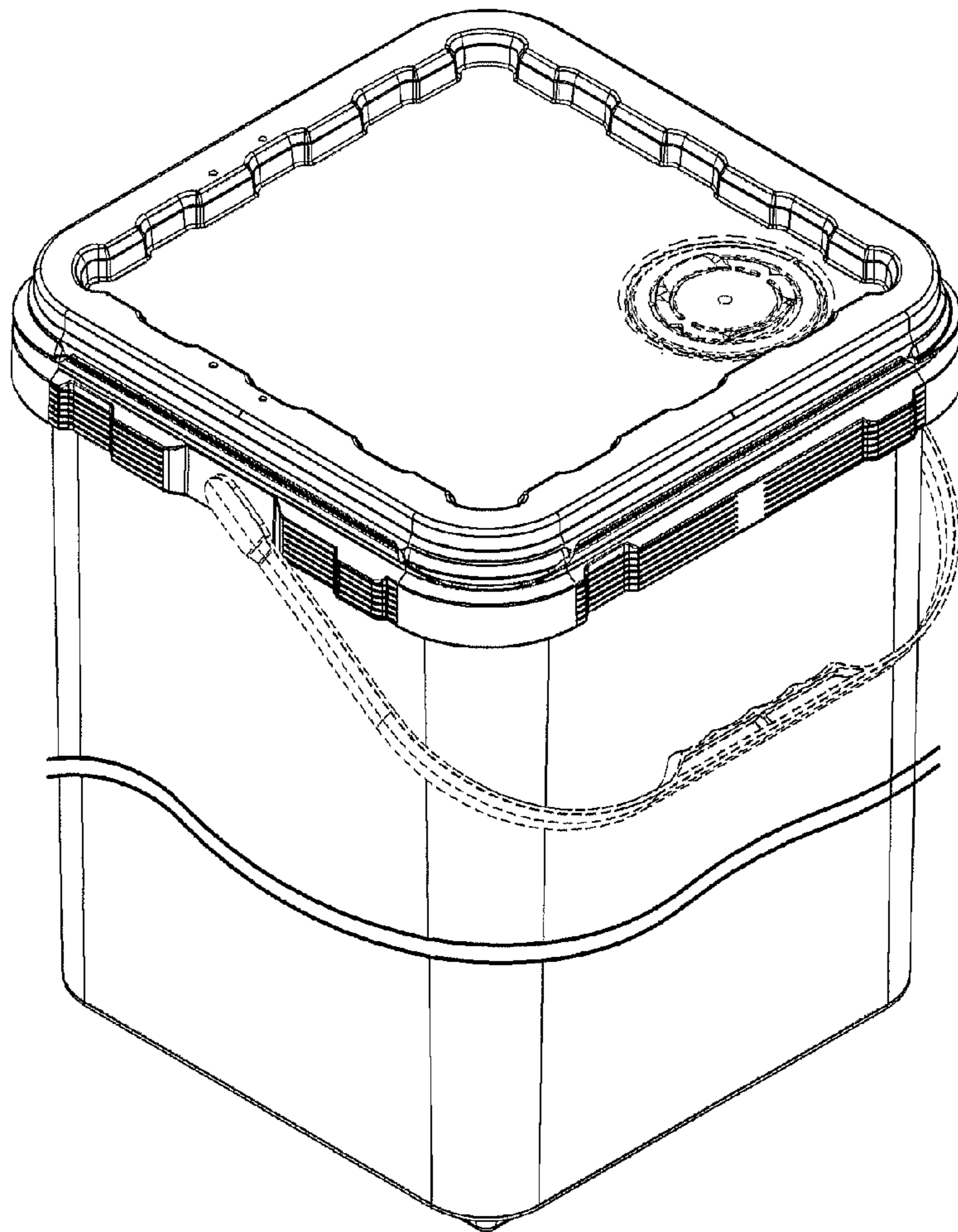


FIG 8

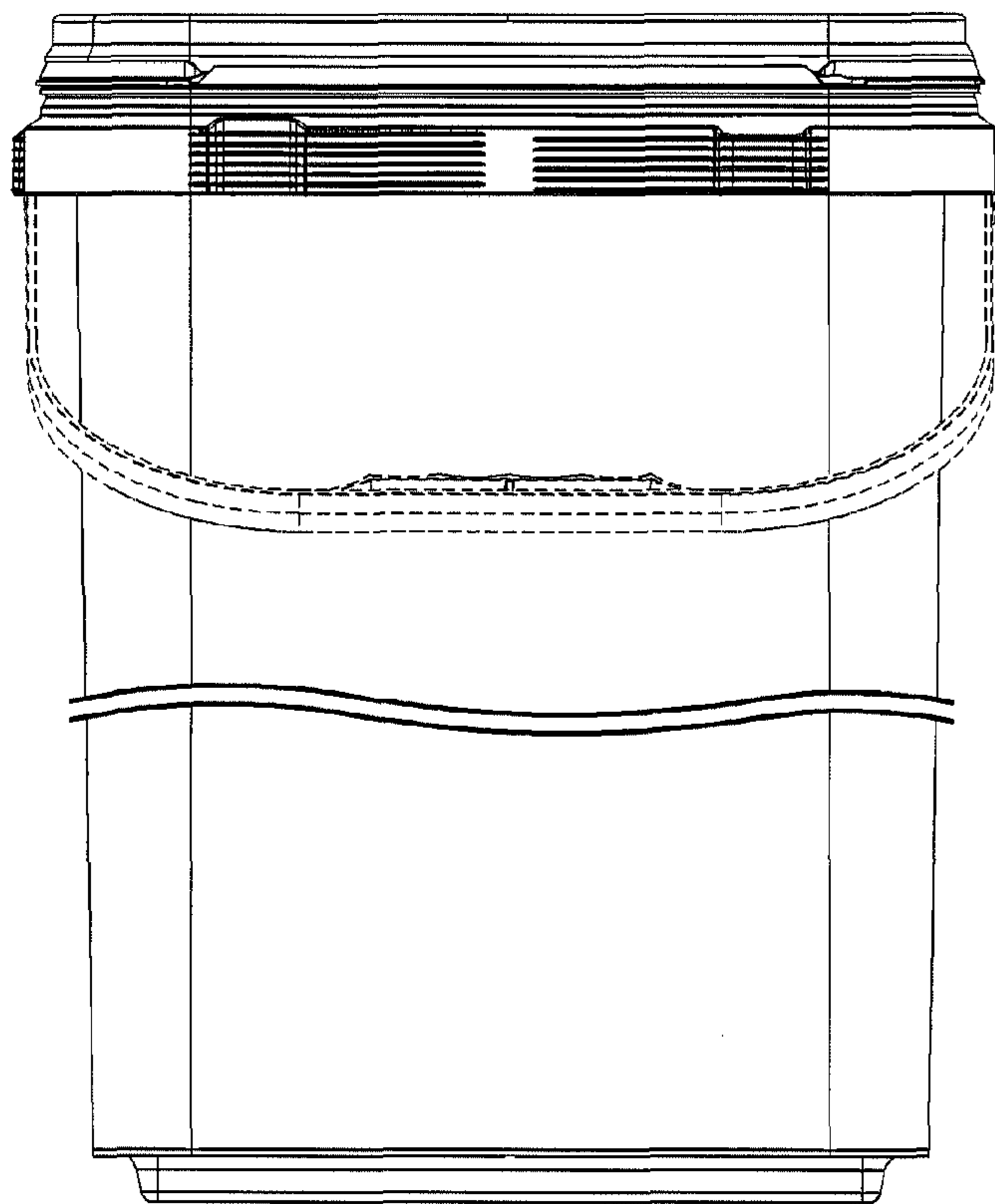


FIG 9

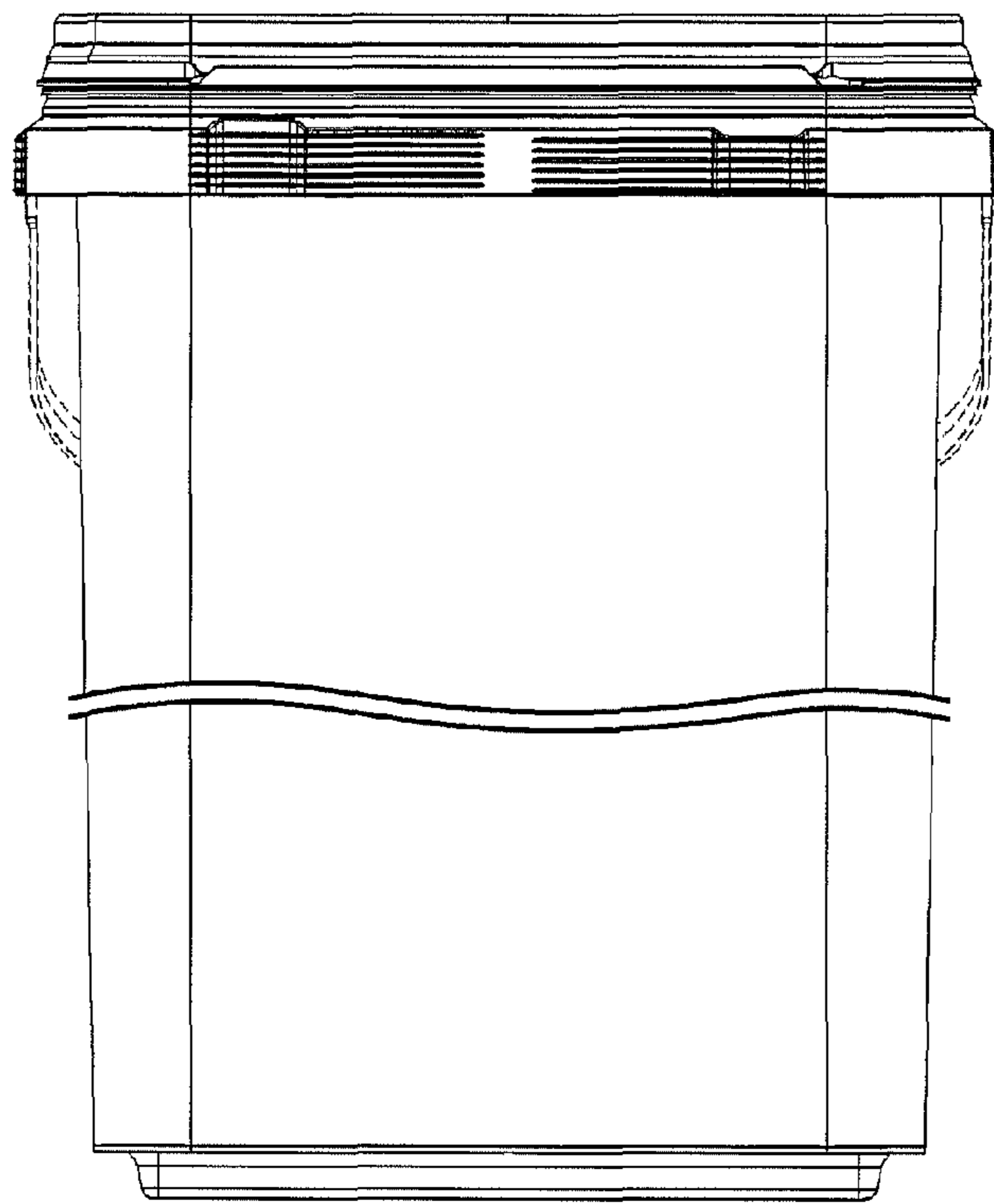


FIG 10

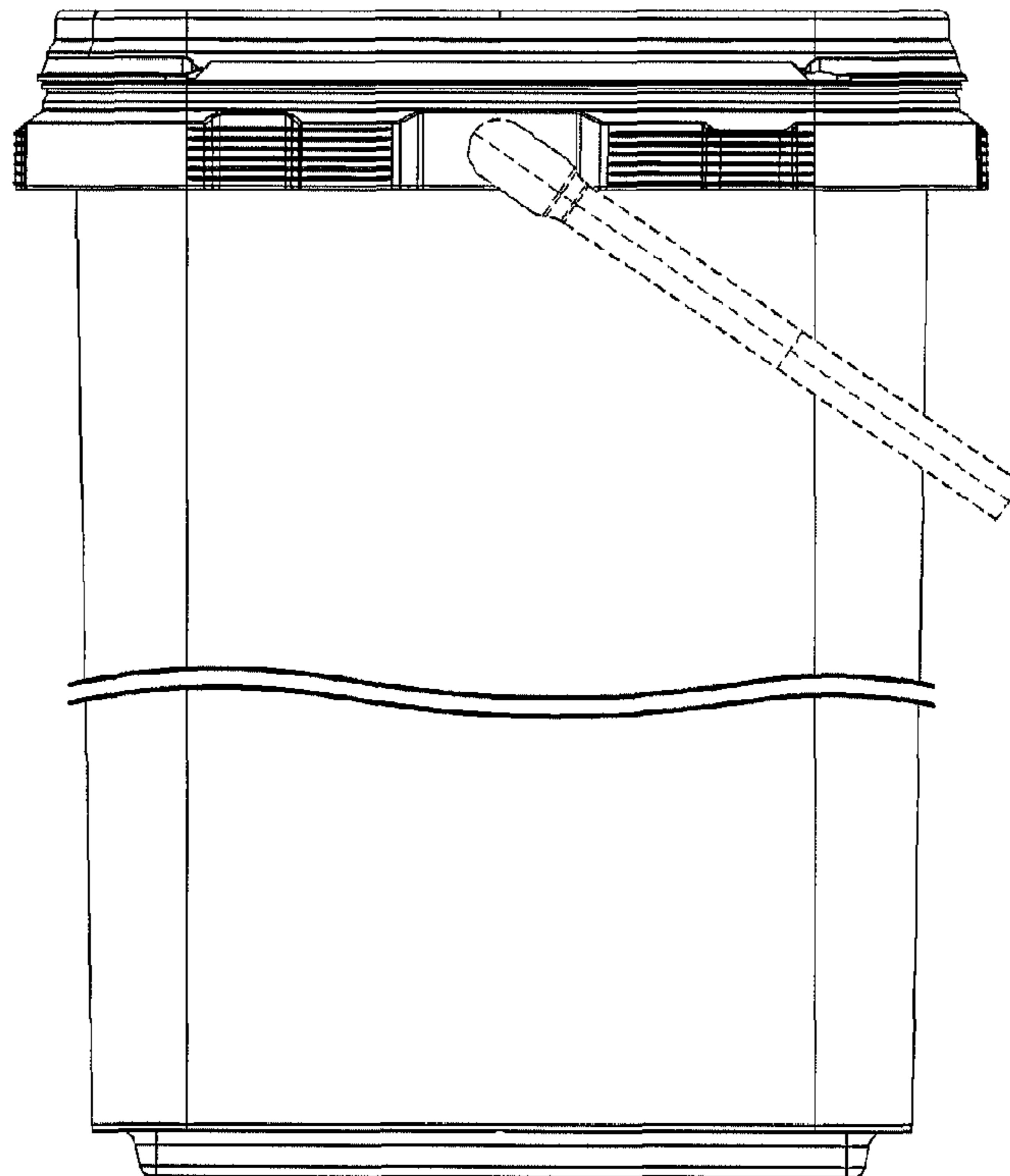


FIG 11

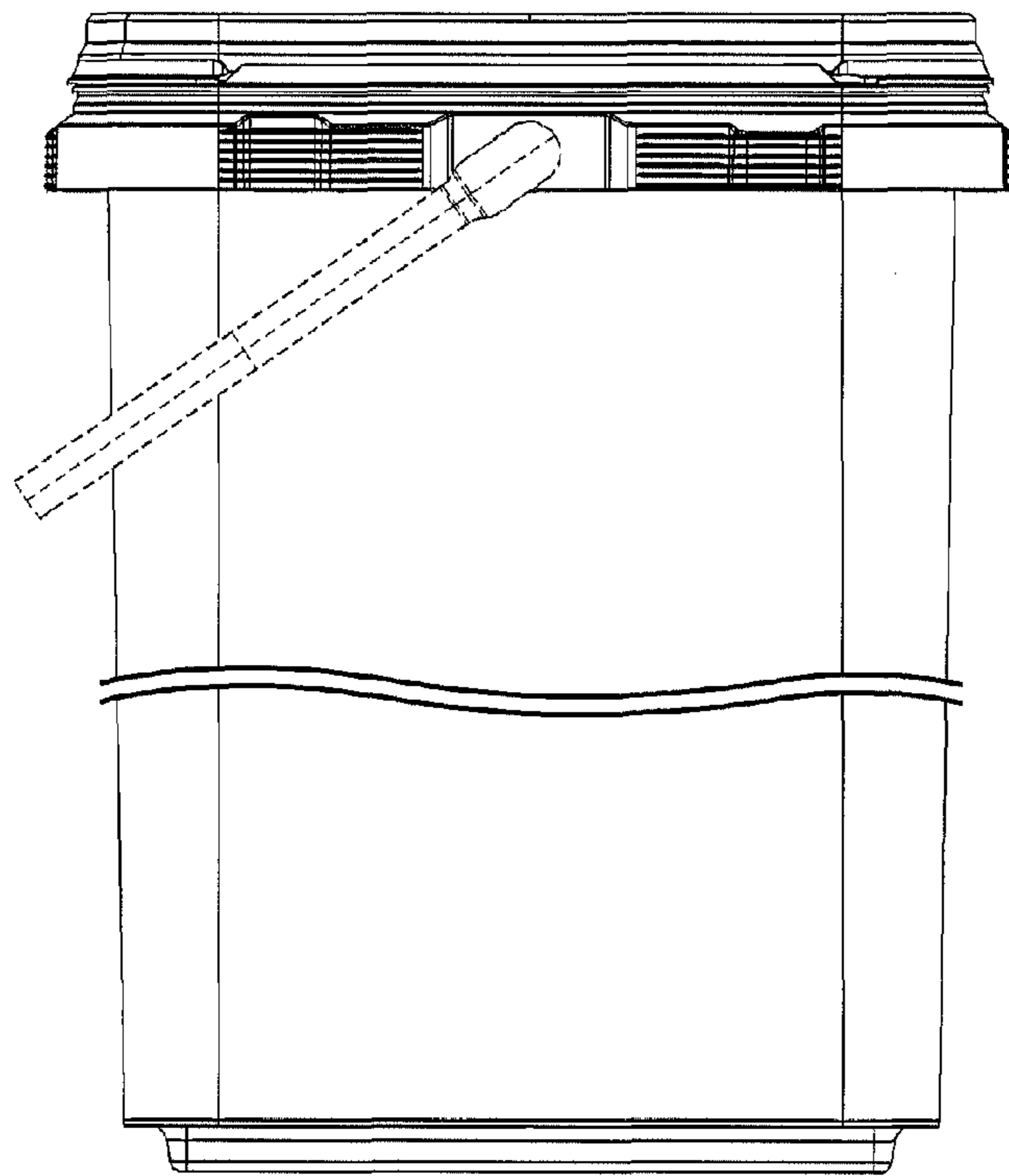


FIG 12

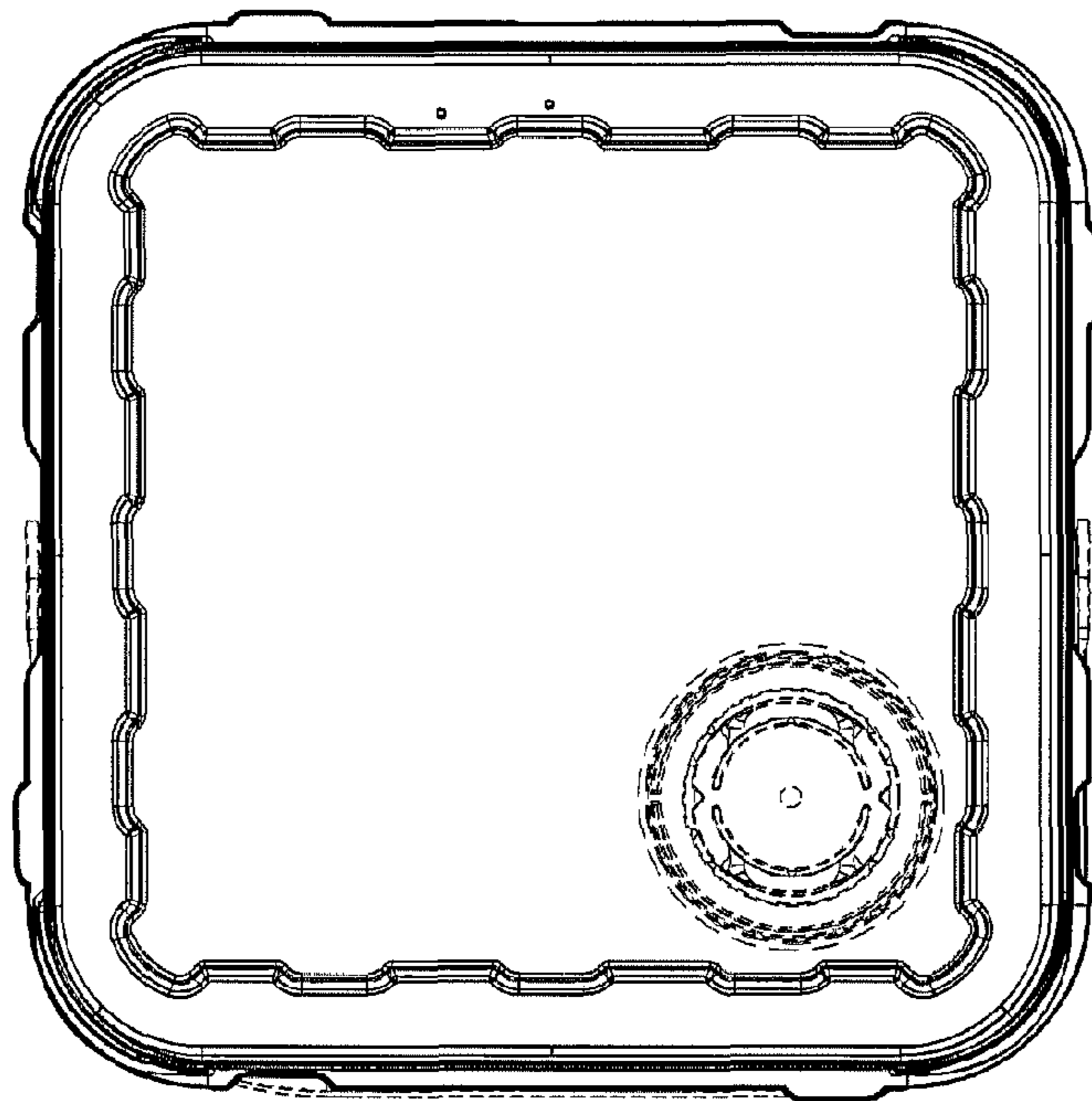


FIG 13

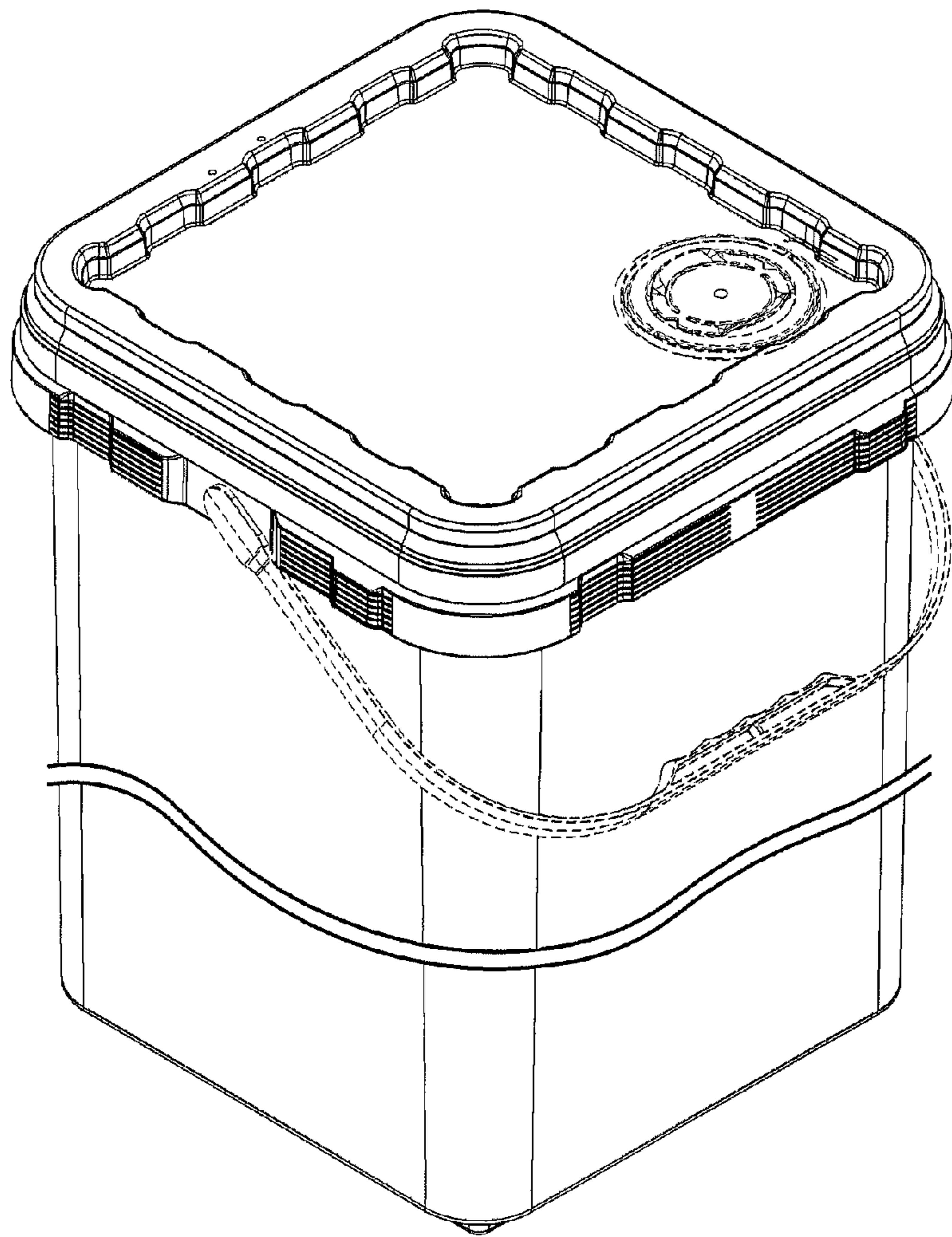


FIG 14

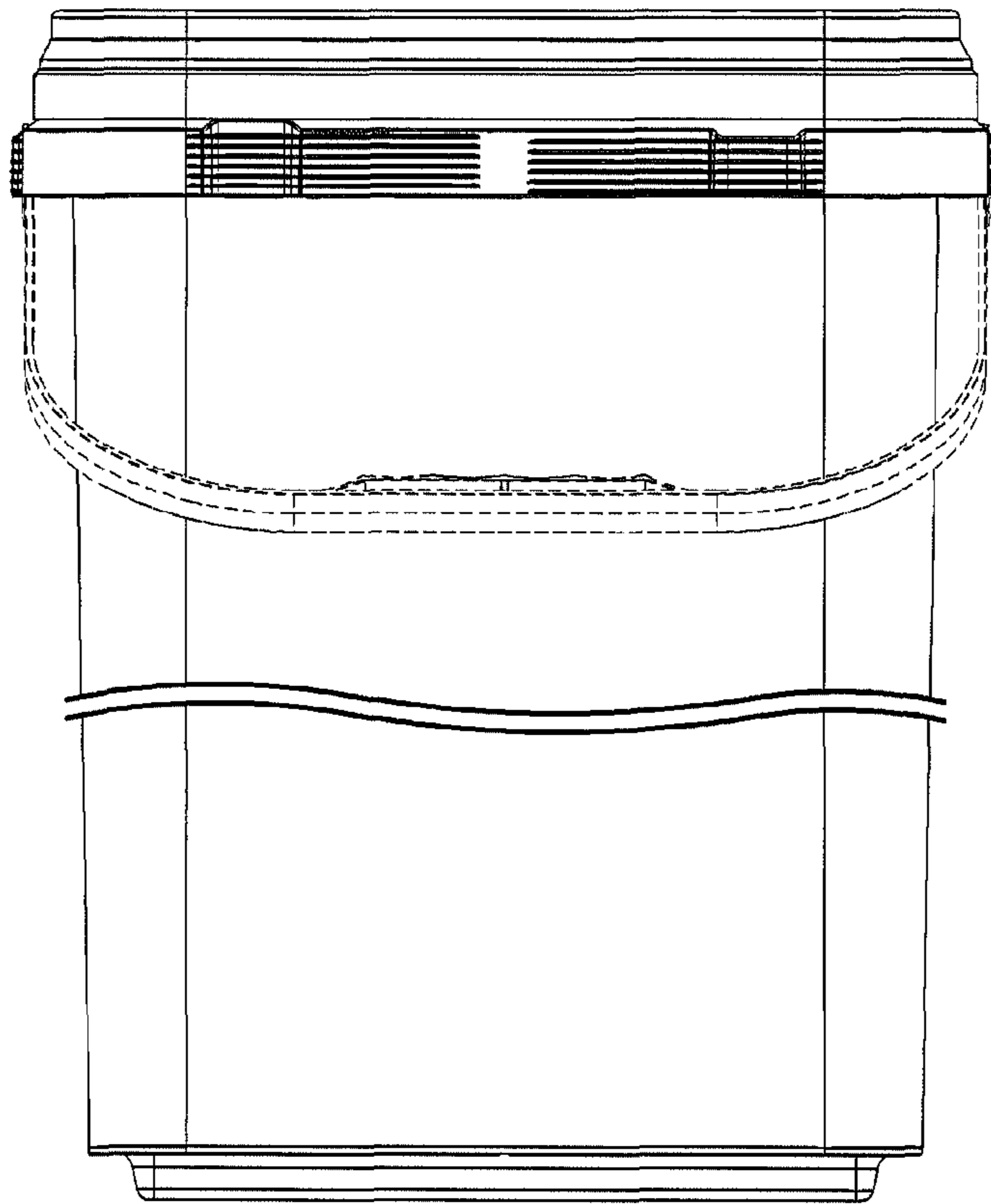


FIG 15

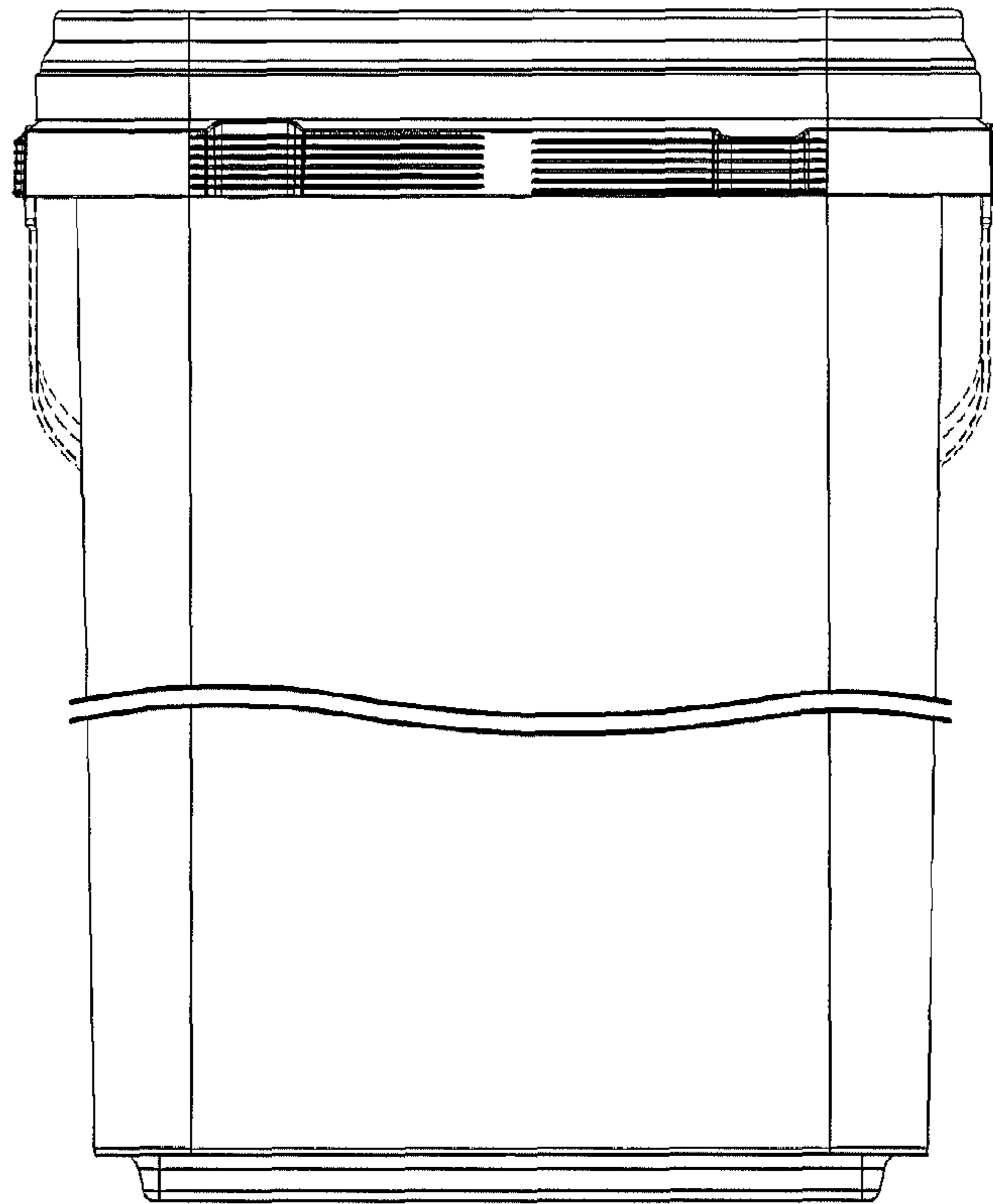


FIG 16

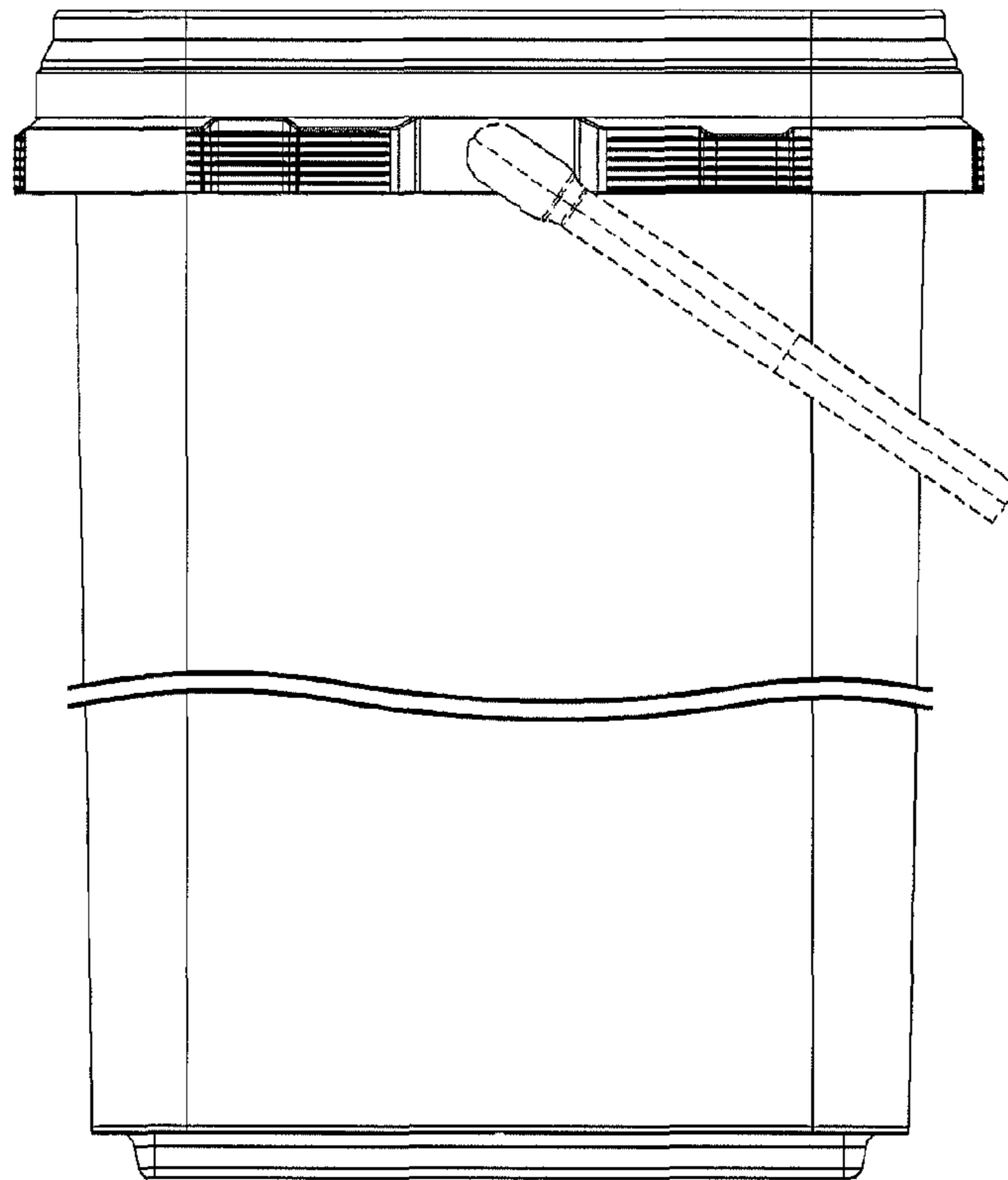


FIG 17

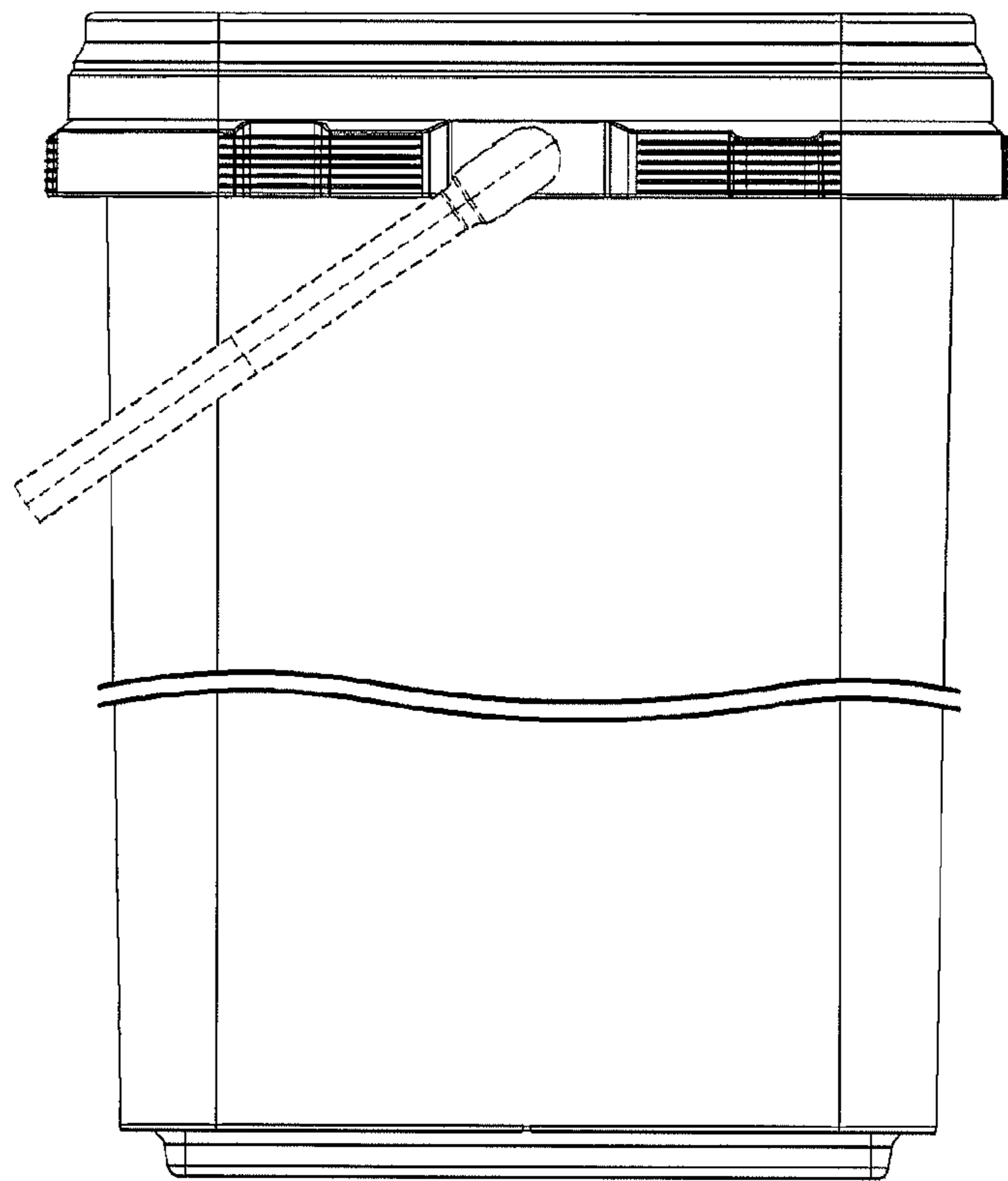


FIG 18

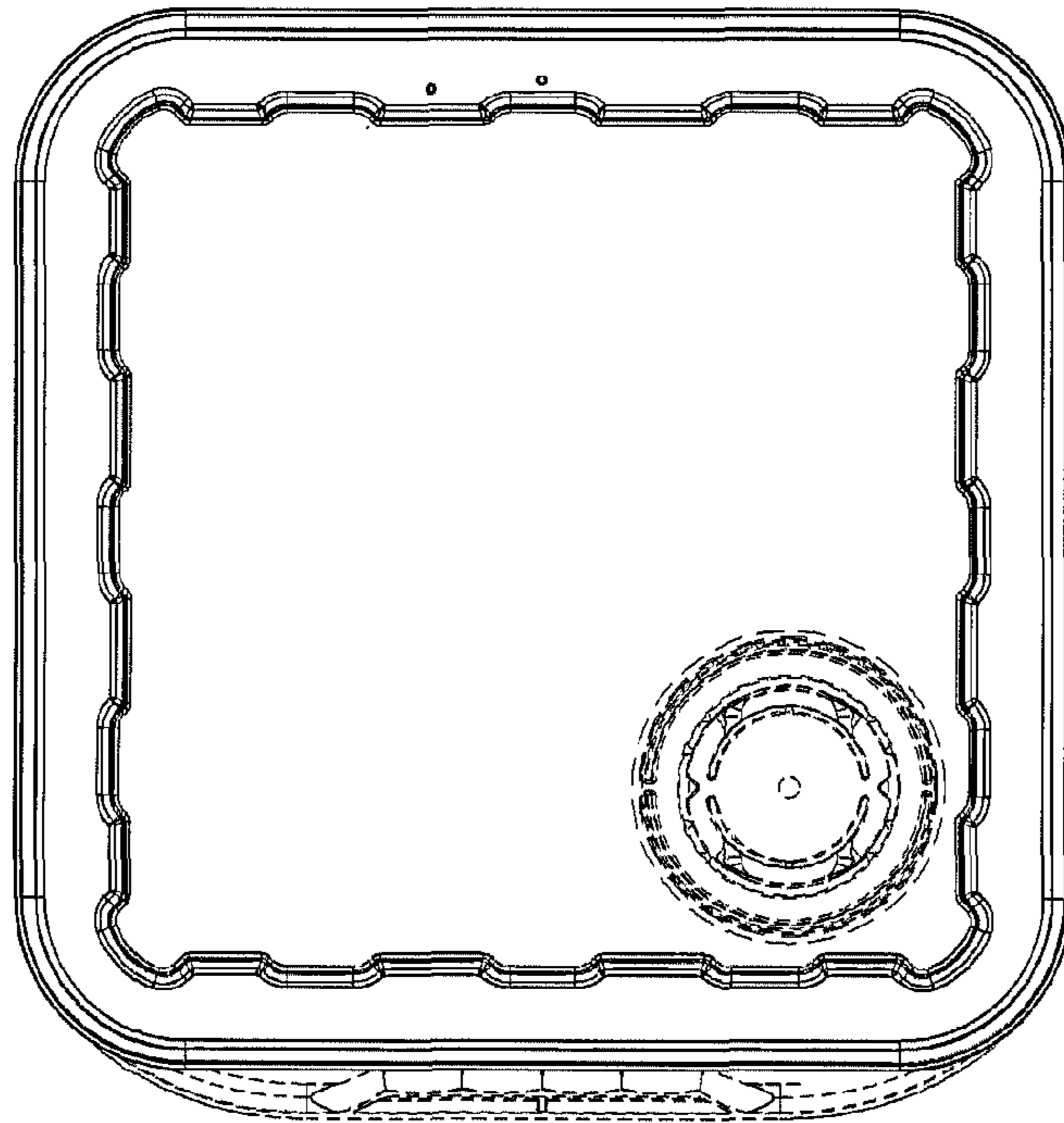


FIG 19

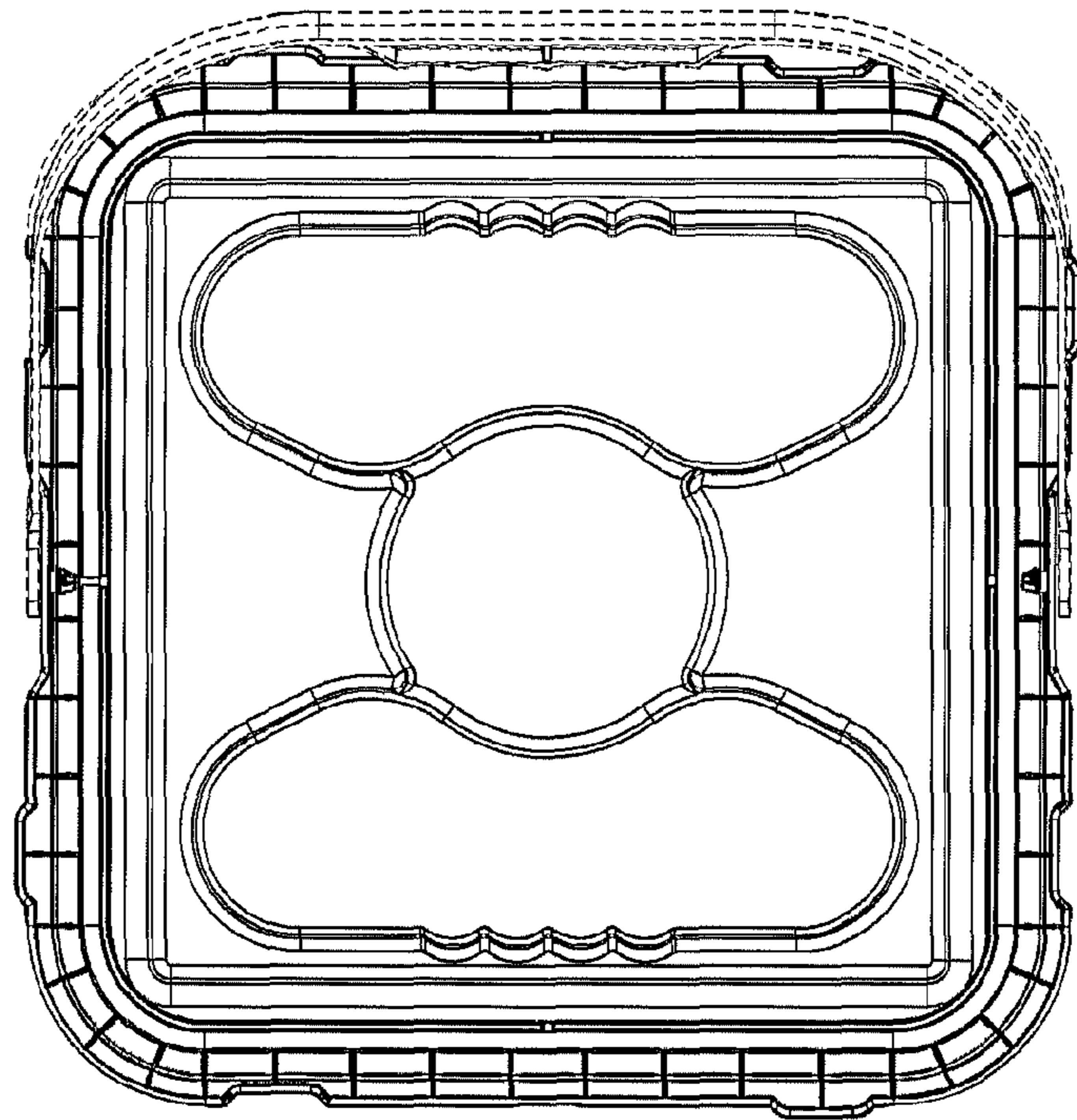


FIG 20