



US00D716010S

(12) **United States Design Patent**  
**Howard**

(10) **Patent No.:** **US D716,010 S**

(45) **Date of Patent:** **\*\* Oct. 21, 2014**

(54) **MOP**

(71) Applicant: **Michael Paul Howard**, Rochdale (GB)

(72) Inventor: **Michael Paul Howard**, Rochdale (GB)

(\*\*) Term: **14 Years**

(21) Appl. No.: **29/467,449**

(22) Filed: **Sep. 19, 2013**

(51) **LOC (10) Cl.** ..... **04-01**

(52) **U.S. Cl.**  
USPC ..... **D32/51**

(58) **Field of Classification Search**  
USPC ..... D32/40-46, 50, 51; 15/119.1, 228,  
15/147.1, 229.8; 401/138-140  
See application file for complete search history.

(56) **References Cited**

**U.S. PATENT DOCUMENTS**

D409,343 S \* 5/1999 Kingry et al. .... D32/50  
D552,315 S \* 10/2007 Harper et al. .... D32/40

D613,013 S \* 3/2010 Renner ..... D32/51  
D680,290 S \* 4/2013 Hsiao ..... D32/50  
D685,969 S \* 7/2013 Smith ..... D32/50  
8,596,896 B2 \* 12/2013 Kimura ..... 401/140

\* cited by examiner

*Primary Examiner* — Robin V Webster

(57) **CLAIM**

The ornamental design for a mop, as shown.

**DESCRIPTION**

FIG. 1 is a front three quarter perspective view of our new design

FIG. 2 is a rear three quarter perspective view thereof

FIG. 3 is a side elevation thereof, opposite side is mirror image

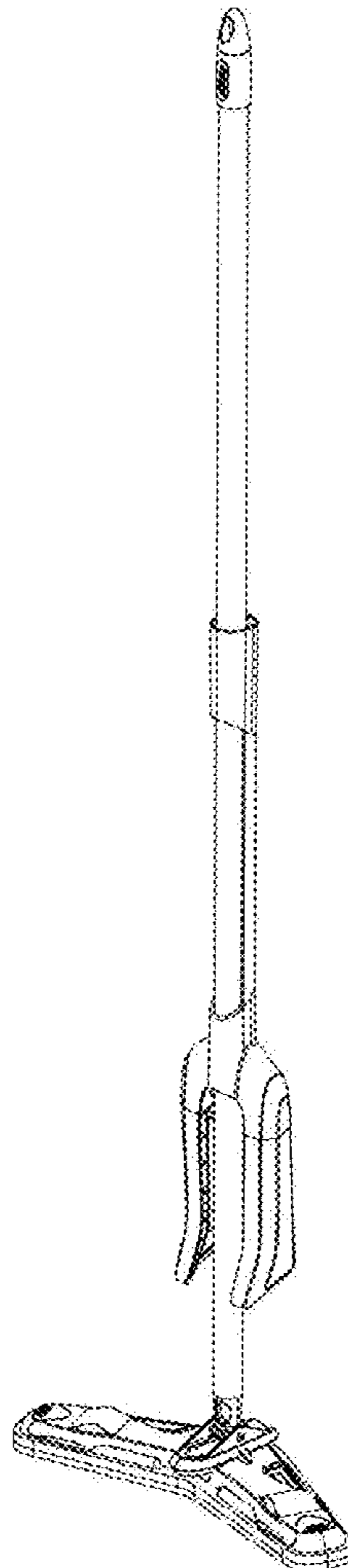
FIG. 4 is a front elevation thereof

FIG. 5 is a rear elevation thereof; and,

FIG. 6 is a top elevation thereof.

Bottom is flat and unornamented.

**1 Claim, 6 Drawing Sheets**



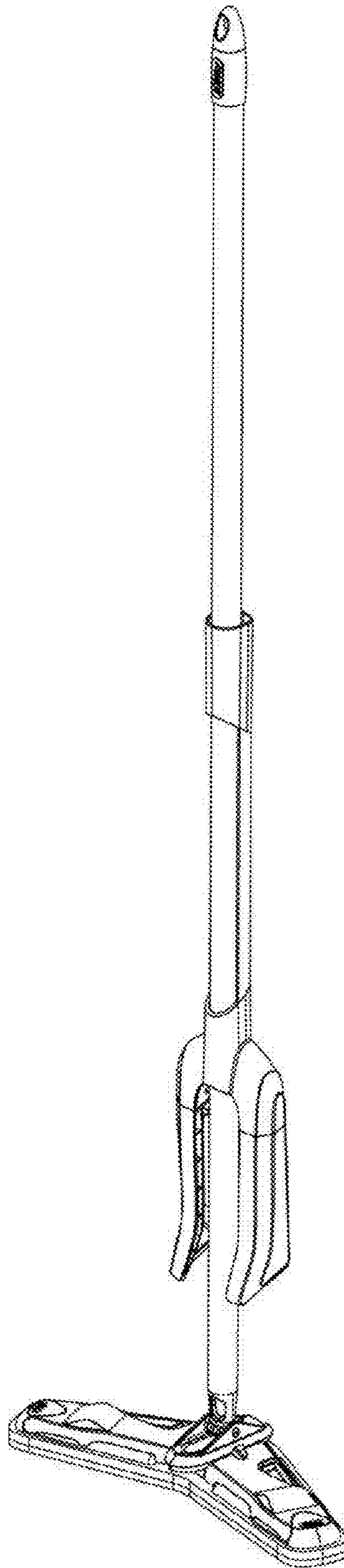


Fig. 1

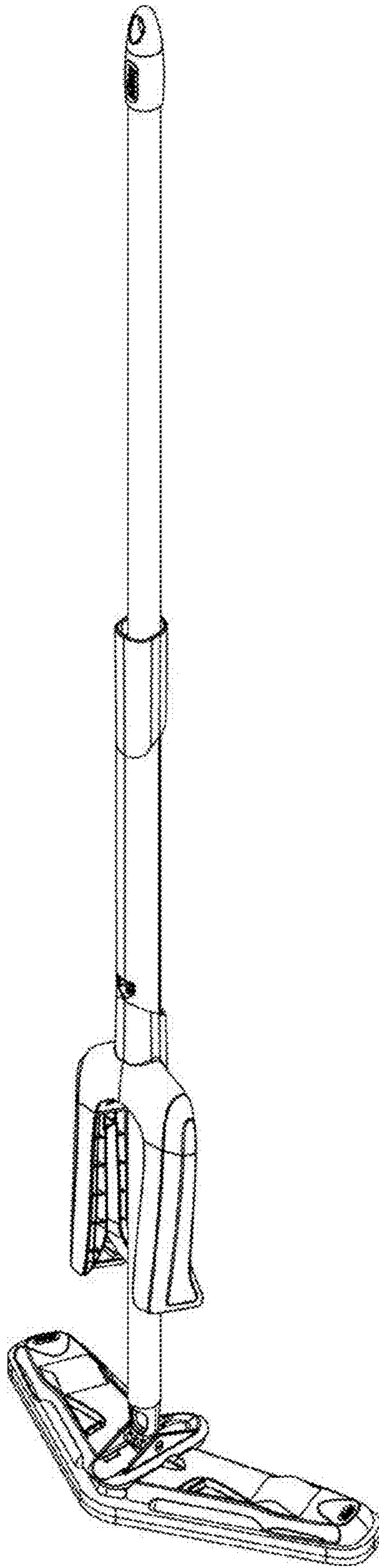


Fig. 2

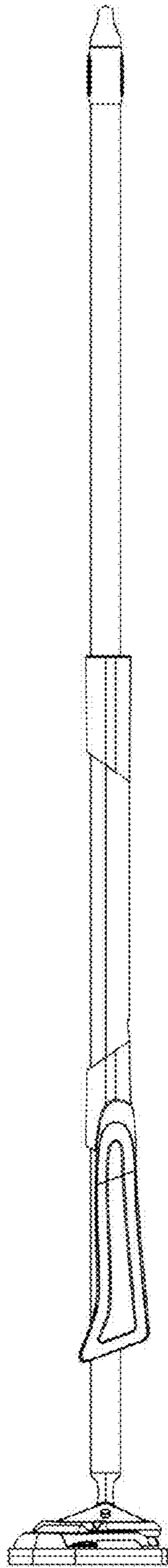


Fig. 3

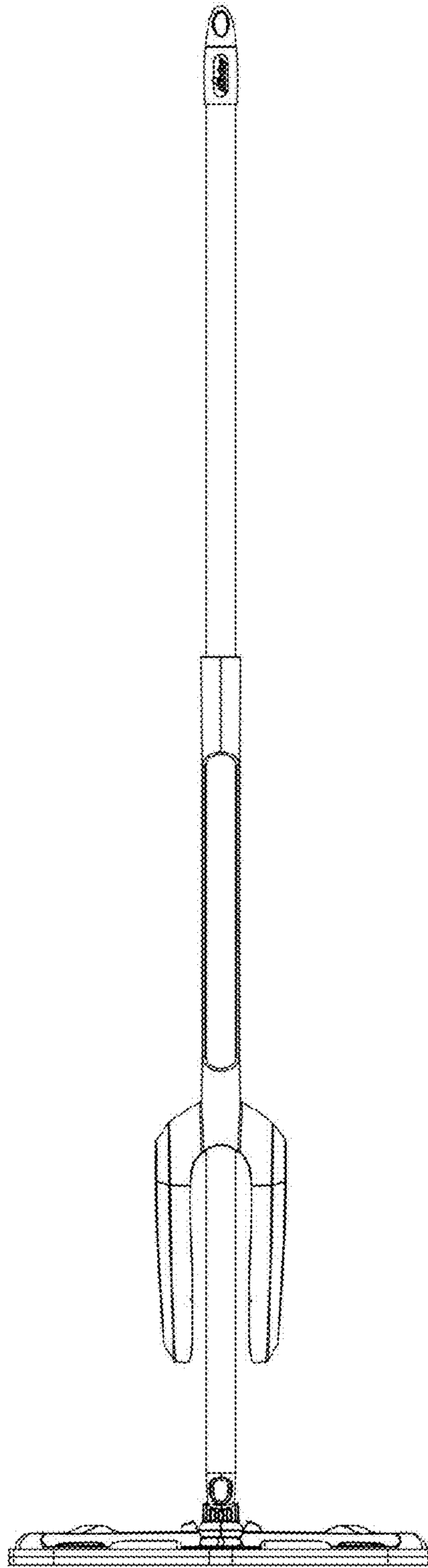


Fig. 4

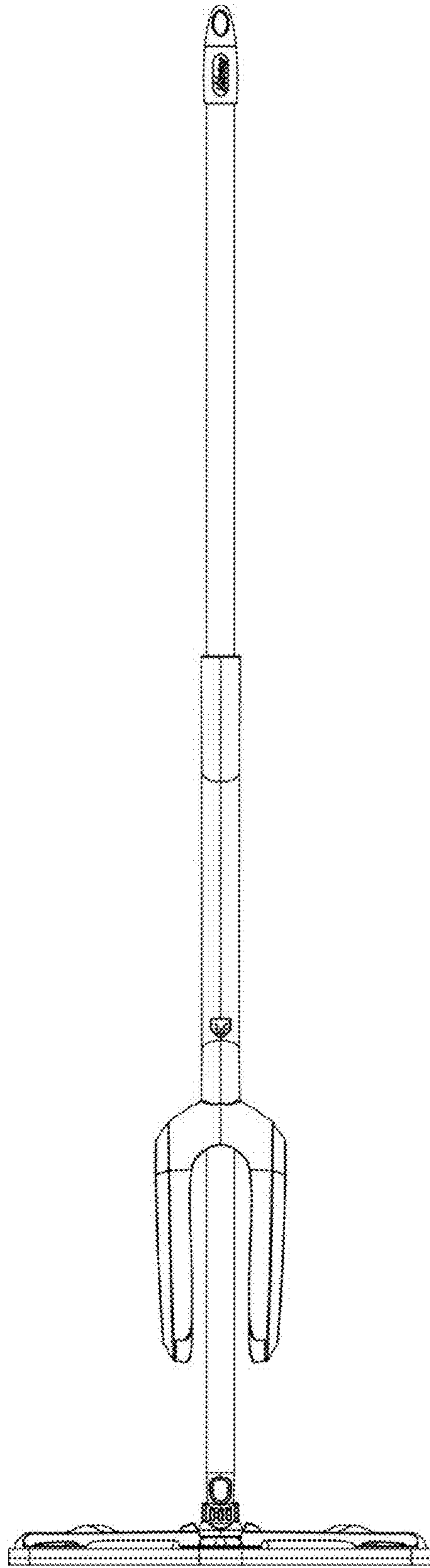


Fig. 5

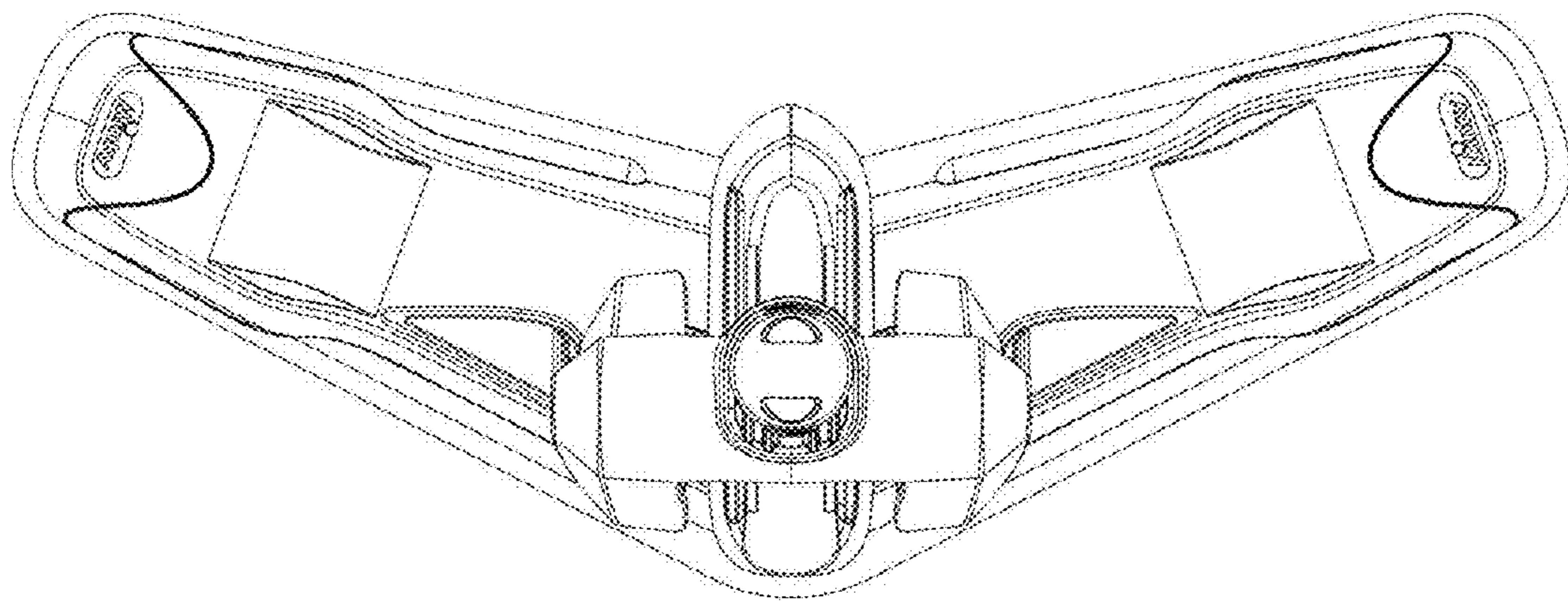


Fig. 6