



US00D716007S

(12) **United States Design Patent**  
**Mangano**

(10) **Patent No.:** **US D716,007 S**  
(45) **Date of Patent:** **\*\* Oct. 21, 2014**

(54) **TRIANGULARLY SHAPED HEAD FOR A STEAMER**

(71) Applicant: **Ingenious Designs LLC**, Ronkonkoma, NY (US)

(72) Inventor: **Joy Mangano**, St. James, NY (US)

(73) Assignee: **Ingenious Designs, LLC**, Ronkonkoma, NY (US)

(\*\*) Term: **14 Years**

(21) Appl. No.: **29/454,793**

(22) Filed: **May 14, 2013**

(51) **LOC (10) Cl.** ..... **15-05**

(52) **U.S. Cl.**  
USPC ..... **D32/17**

(58) **Field of Classification Search**  
USPC ..... D32/17-18, 31-33, 50; 15/344,  
15/320-322, 415.1-422, 422.1;  
392/404-405; 134/198; 38/69, 77.83;  
68/5 R, 5 A, 222; 239/583

See application file for complete search history.

(56) **References Cited**

**U.S. PATENT DOCUMENTS**

D229,016	S	*	11/1973	Plasko	.....	D32/17
D307,341	S	*	4/1990	Tsuji et al.	.....	D32/17
D465,309	S	*	11/2002	Foersterling	.....	D32/35
D473,987	S	*	4/2003	Foersterling	.....	D32/35
D481,183	S	*	10/2003	Mangano	.....	D32/35
6,886,373	B2	*	5/2005	Carrubba et al.	.....	68/222
7,155,117	B2	*	12/2006	Leung et al.	.....	392/404
7,162,769	B2	*	1/2007	Tratter	.....	15/321
D563,063	S		2/2008	Mangano		
D576,363	S	*	9/2008	Reiner	.....	D32/17

D587,866	S	*	3/2009	Mangano	.....	D32/17
D592,365	S	*	5/2009	Massip et al.	.....	D32/17
D592,366	S		5/2009	Mangano		
D595,461	S	*	6/2009	Massip et al.	.....	D32/17
D595,964	S	*	7/2009	Choi	.....	D4/114
D598,614	S	*	8/2009	Lam	.....	D32/17
D611,208	S	*	3/2010	Lam	.....	D32/17
D620,208	S	*	7/2010	Mangano	.....	D32/17
D620,651	S	*	7/2010	Enervold	.....	D32/17
D646,029	S	*	9/2011	Choi	.....	D32/17
D646,445	S	*	10/2011	Choi	.....	D32/17
D663,909	S	*	7/2012	Andreesen	.....	D32/17
D674,564	S	*	1/2013	Mangano	.....	D32/17
2008/0034813	A1	*	2/2008	Tobias	.....	68/222
2009/0255302	A1	*	10/2009	Haan	.....	68/222
2010/0024492	A1	*	2/2010	Leung	.....	68/222
2011/0030249	A1	*	2/2011	Rosenzweig et al.	.....	38/141

\* cited by examiner

*Primary Examiner* — Ruth McNroy

(74) *Attorney, Agent, or Firm* — Kenyon & Kenyon, LLP

(57) **CLAIM**

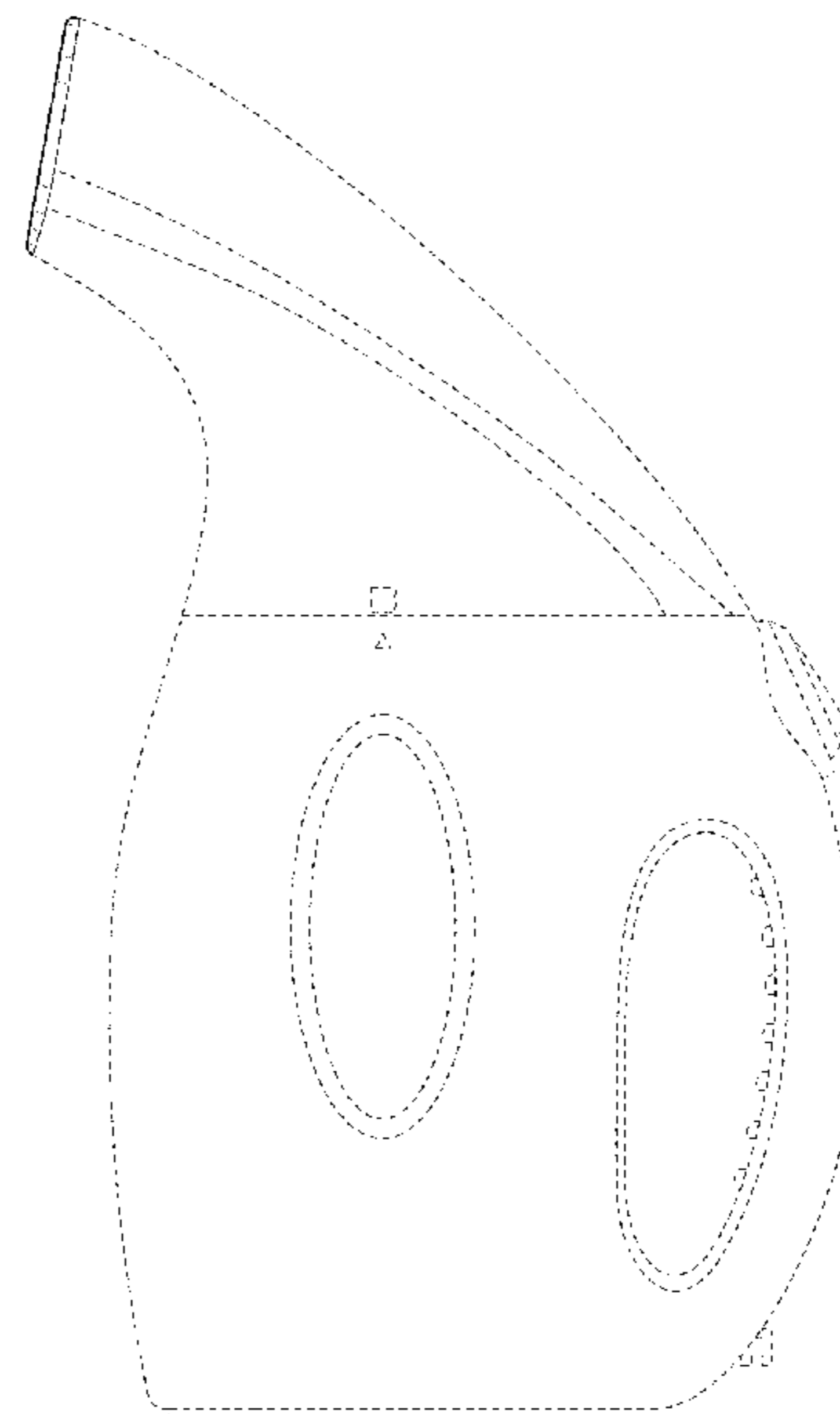
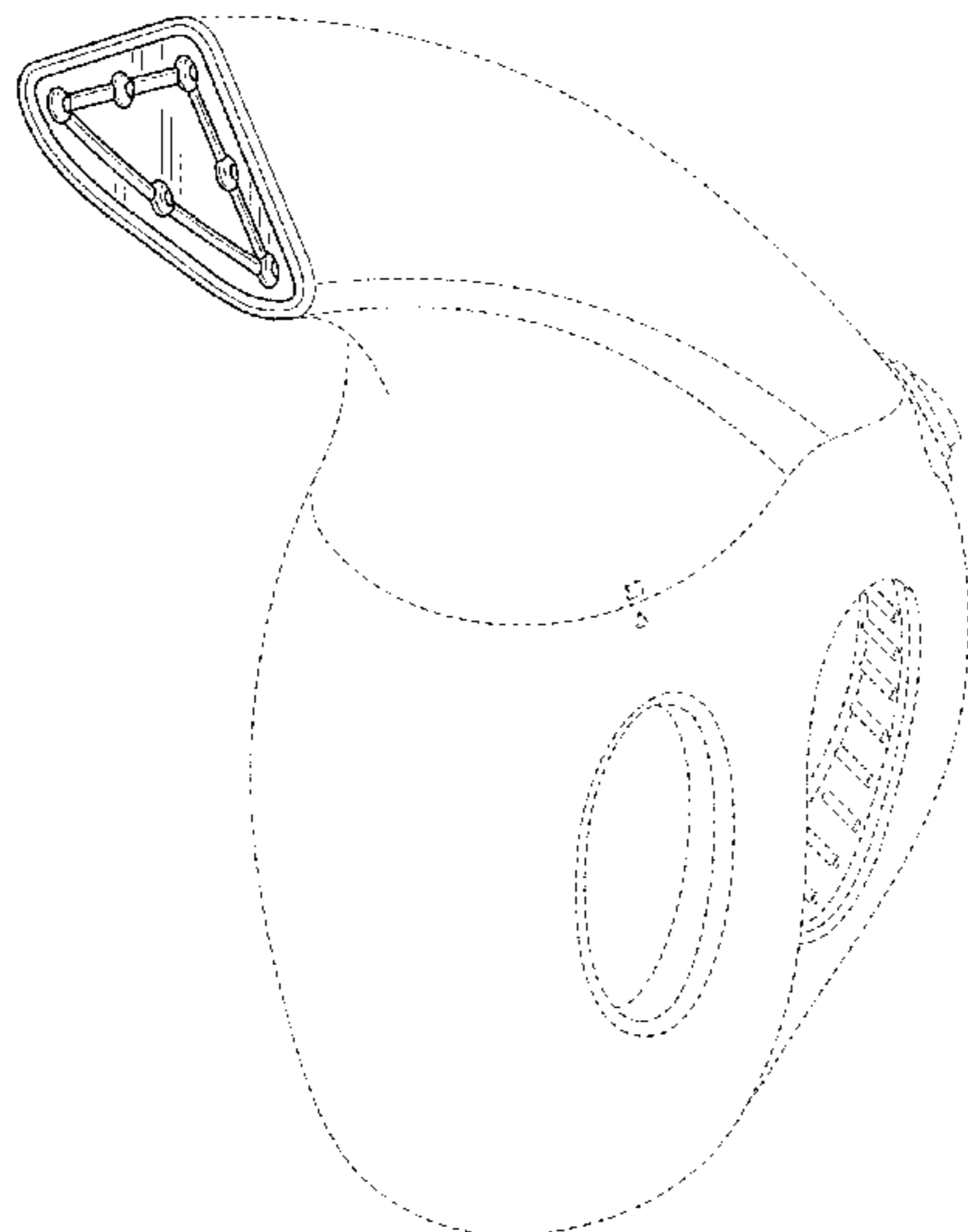
The ornamental design for a triangularly shaped head for a steamer, as shown and described.

**DESCRIPTION**

FIG. 1 is a perspective view of a triangular shaped head for a steamer showing our new design;  
FIG. 2 is a front view thereof;  
FIG. 3 is a rear view thereof;  
FIG. 4 is a right side view thereof;  
FIG. 5 is a left side view thereof;  
FIG. 6 is a top view thereof; and,  
FIG. 7 is a bottom view thereof.

The broken lines shown are for illustrative purposes only and form no part of the claimed design.

**1 Claim, 5 Drawing Sheets**



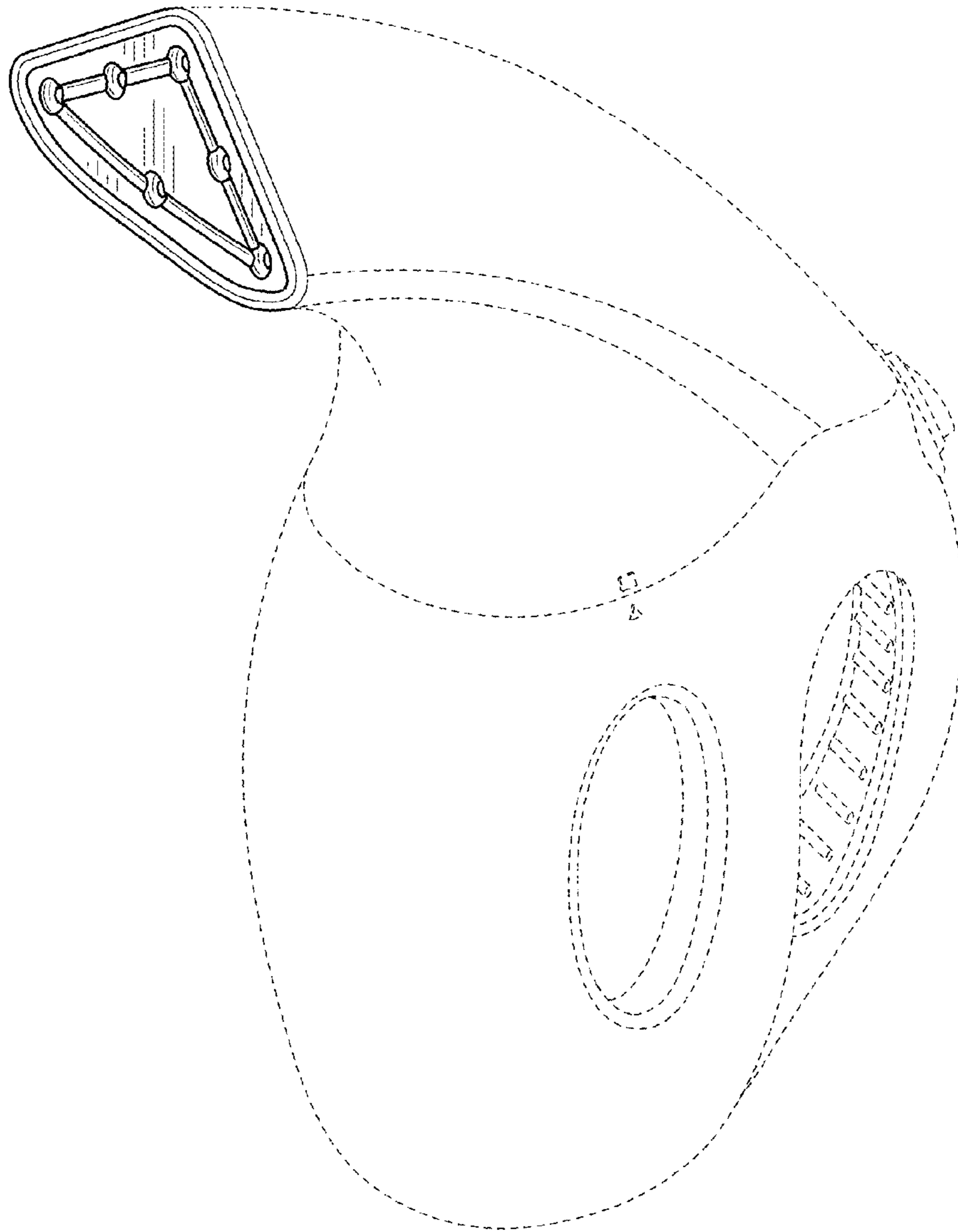


FIG. 1

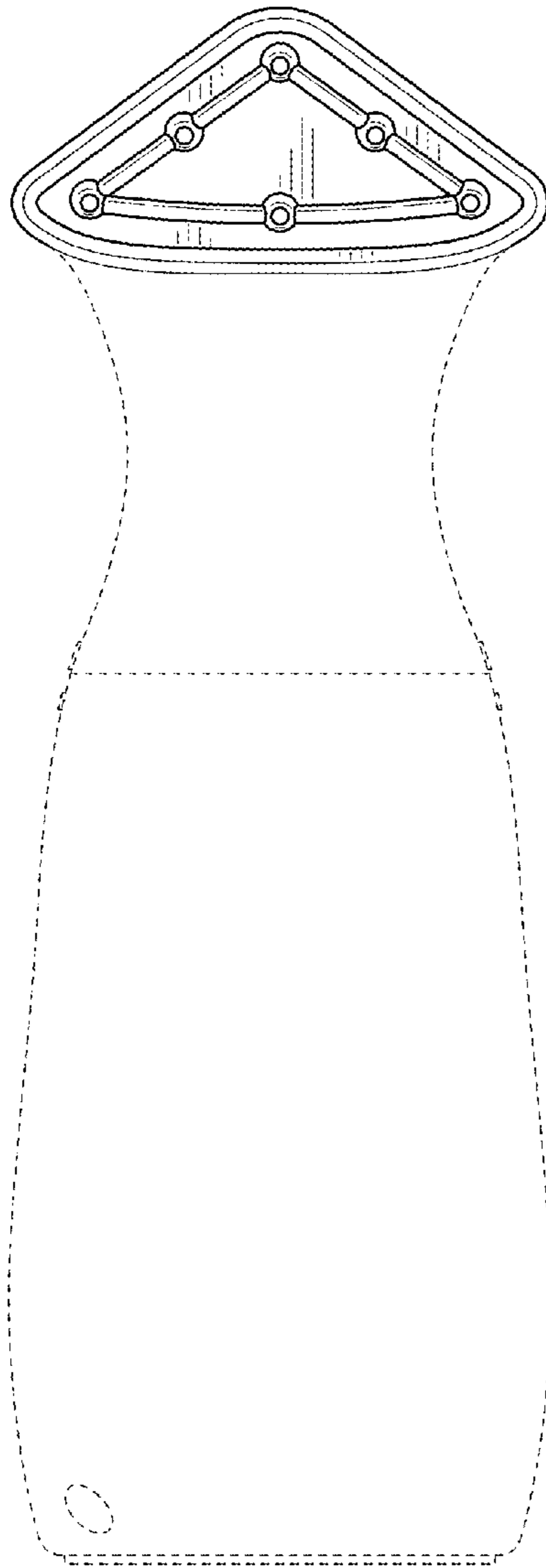


FIG. 2

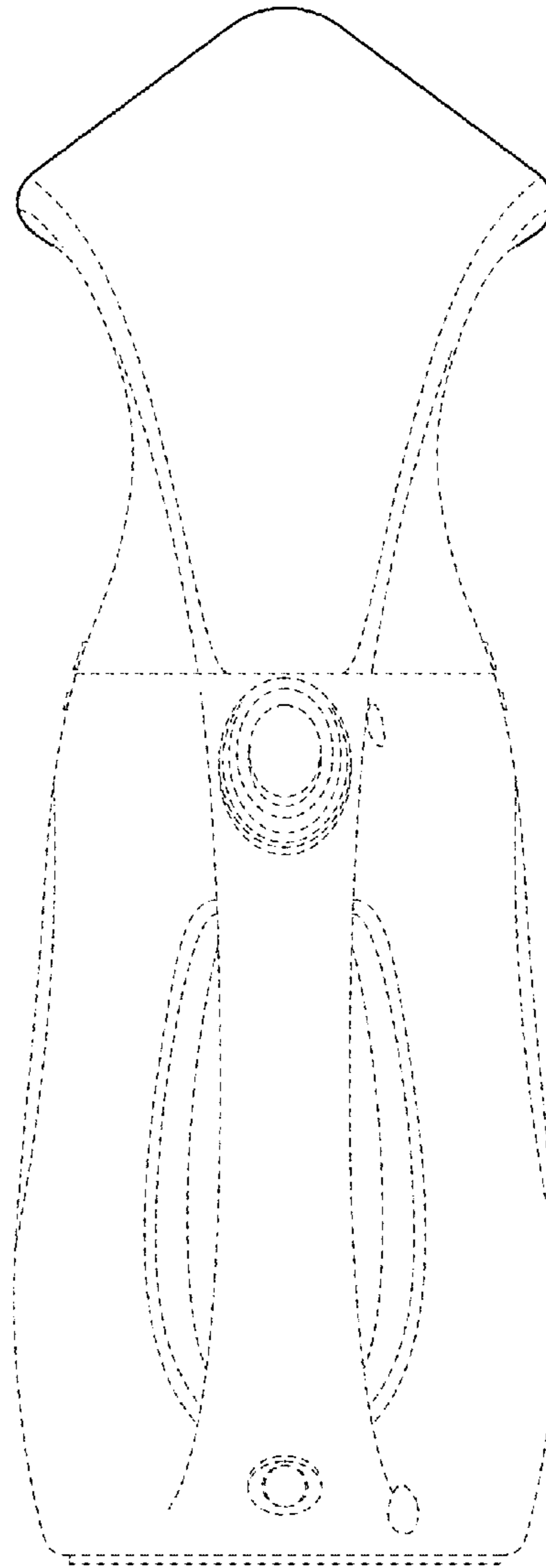


FIG. 3

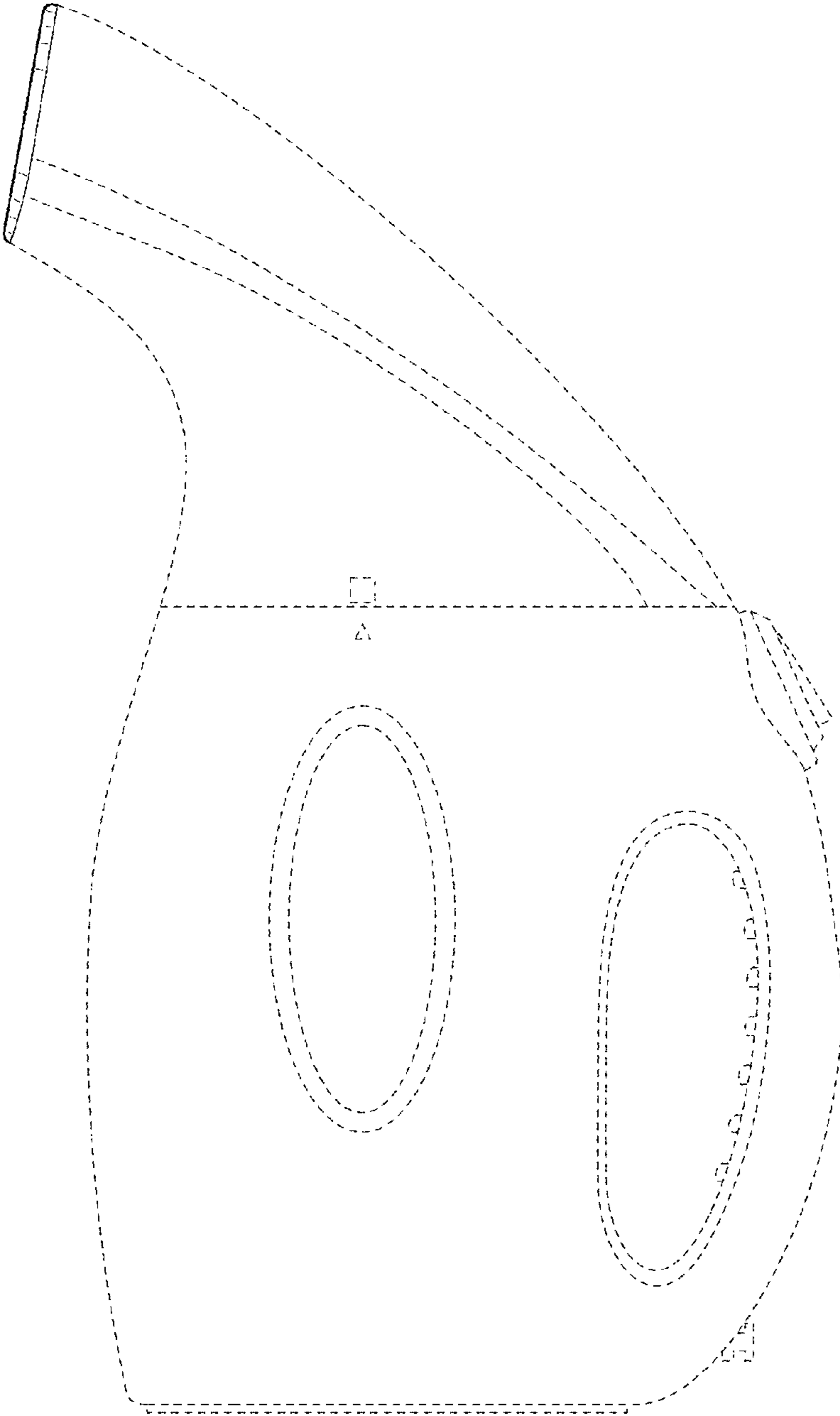


FIG. 4

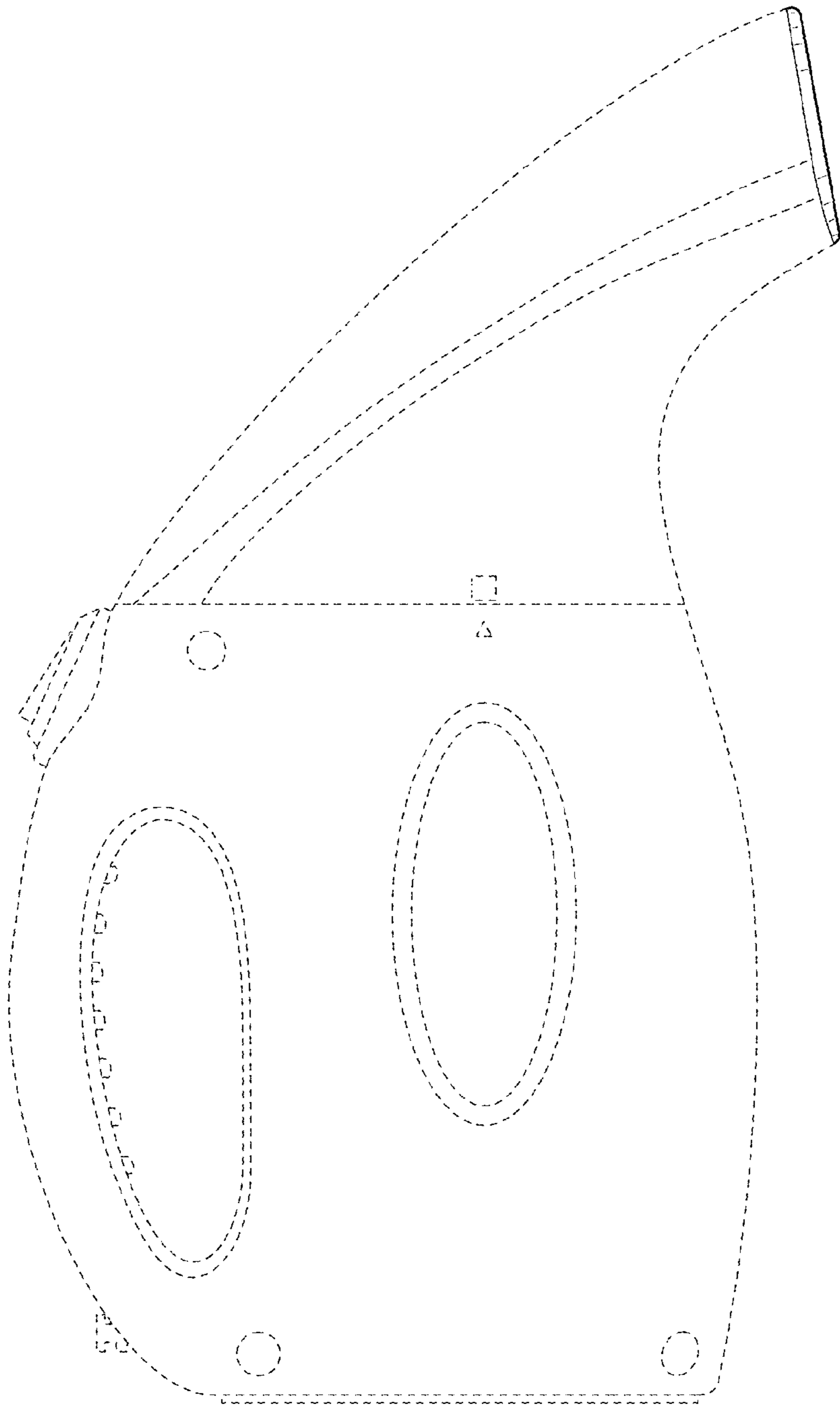


FIG. 5

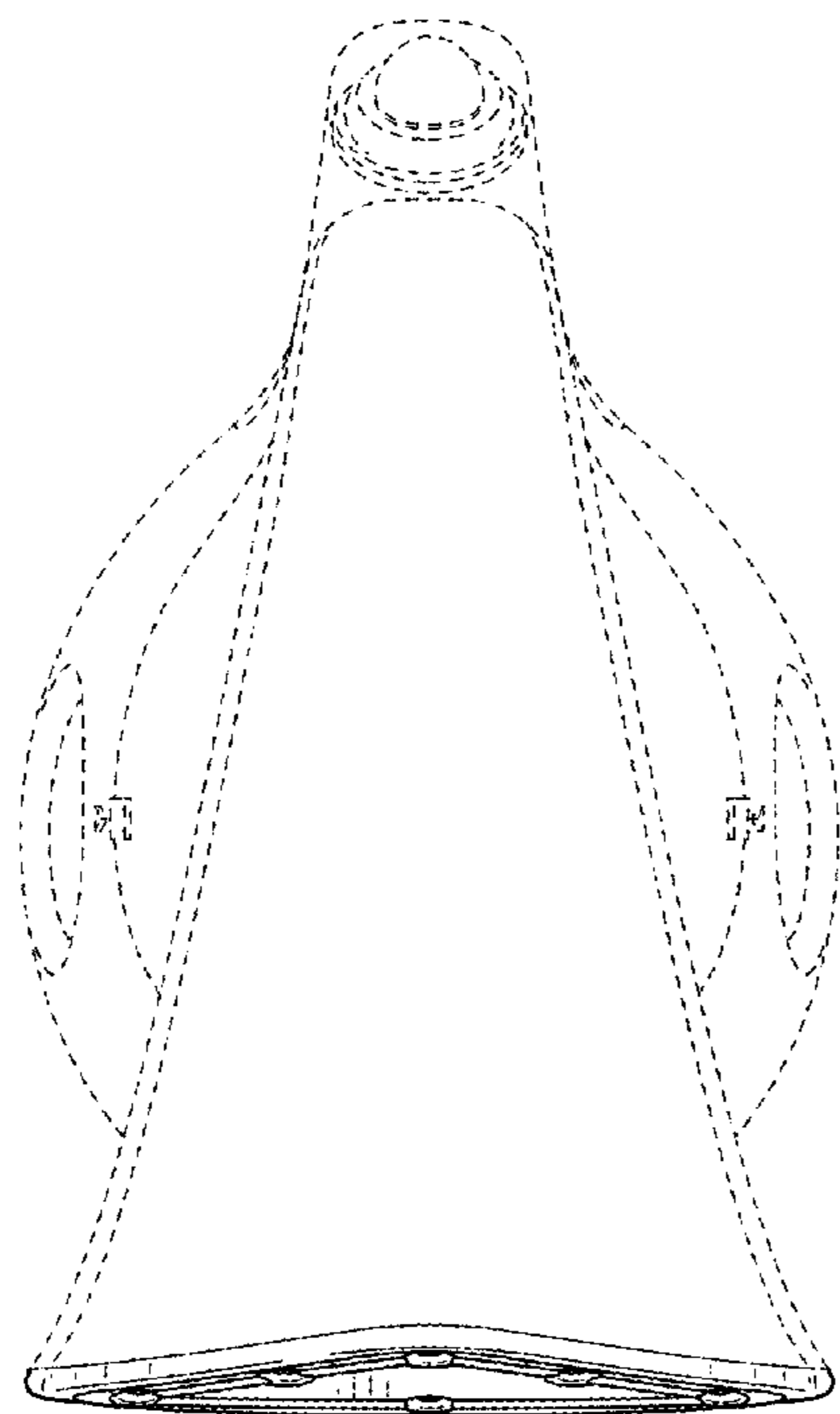


FIG. 6

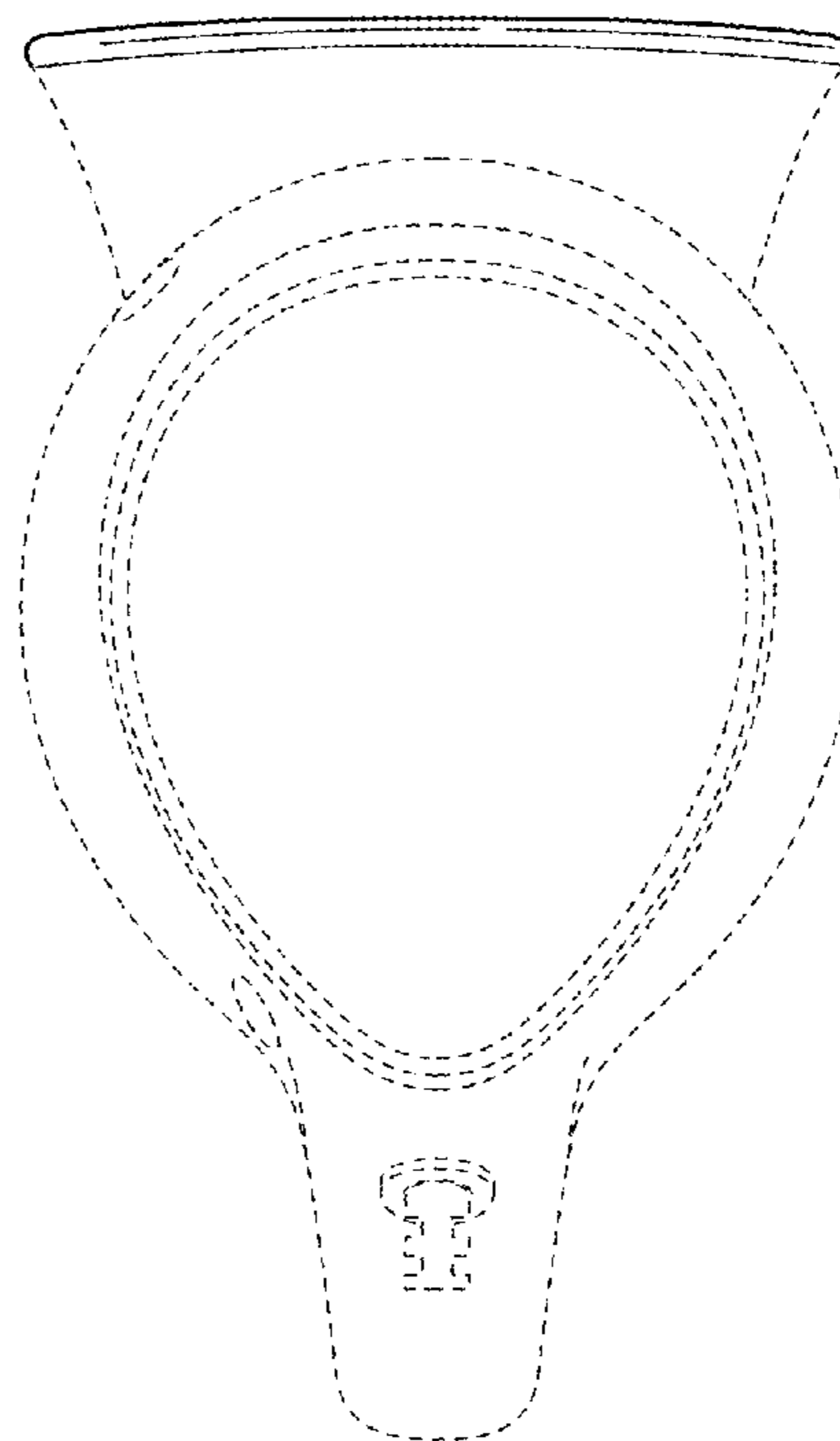


FIG. 7