



US00D716004S

(12) **United States Design Patent**
Bowen

(10) **Patent No.:** **US D716,004 S**

(45) **Date of Patent:** **** *Oct. 21, 2014**

- (54) **SHELL OF A PET CHASE TOY**
- (71) Applicant: **Go Go Dog Pals LLC**, Solana Beach, CA (US)
- (72) Inventor: **William Bowen**, Solana Beach, CA (US)
- (73) Assignee: **Go Go Dog Pals LLC**, San Diego, CA (US)
- (*) Notice: This patent is subject to a terminal disclaimer.
- (**) Term: **14 Years**
- (21) Appl. No.: **29/437,959**
- (22) Filed: **Nov. 21, 2012**
- (51) **LOC (10) Cl.** **30-99**
- (52) **U.S. Cl.**
USPC **D30/160; D21/592**
- (58) **Field of Classification Search**
USPC **D30/160; 119/702, 706-711; D21/592; 446/269, 279-280, 289-290**
See application file for complete search history.

D338,410 S *	8/1993	Peersmann	D10/8
D353,854 S *	12/1994	Miyazawa	D21/578
D363,938 S *	11/1995	Kahng	D15/14
D373,662 S *	9/1996	Box	D30/160
D467,983 S *	12/2002	Yamazaki	D30/160
D544,929 S *	6/2007	Crane et al.	D21/592
D569,052 S *	5/2008	Lamstein	D30/160
D592,257 S *	5/2009	Tang	D21/578
D614,251 S *	4/2010	Chung	D21/578
D640,348 S *	6/2011	Oedekoven et al.	D23/215
8,066,544 B2 *	11/2011	Hedeen, Jr.	446/437
8,210,897 B2 *	7/2012	Hornsby et al.	446/280
2007/0017454 A1 *	1/2007	Rowe	119/707

* cited by examiner

Primary Examiner — Cathy A MacCormac
(74) *Attorney, Agent, or Firm* — Liu & Liu

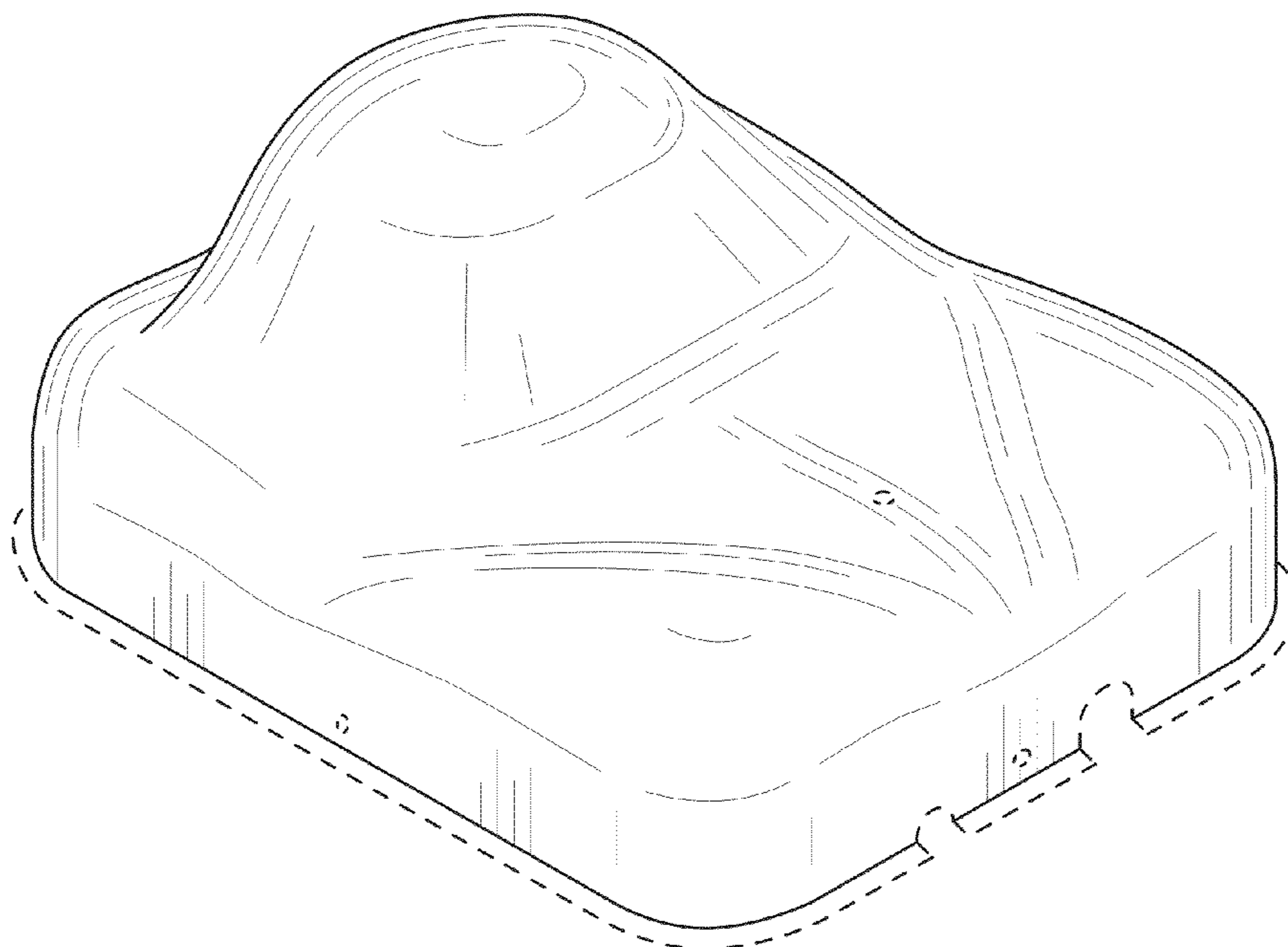
(57) **CLAIM**
The ornamental design for a shell of a pet chase toy, as shown and described.

DESCRIPTION

FIG. 1 is a front perspective view of the shell of a pet chase toy in accordance with the present invention;
FIG. 2 is a rear perspective view thereof;
FIG. 3 is a front view thereof;
FIG. 4 is a rear view thereof;
FIG. 5 is a right side view thereof (the left side view is a mirror image thereof); and,
FIG. 6 is a top view thereof.
The portions of the drawings shown in broken lines are for illustration only and depict features forming no part of the claimed design.

1 Claim, 3 Drawing Sheets

- (56) **References Cited**
U.S. PATENT DOCUMENTS
- | | | | | |
|---------------|---------|-----------------|-------|---------|
| D180,717 S * | 7/1957 | Jones et al. | | D21/592 |
| 3,197,918 A * | 8/1965 | Coggeshall | | 446/290 |
| D241,461 S * | 9/1976 | Lambert | | D21/592 |
| 4,031,659 A * | 6/1977 | Keller et al. | | 446/427 |
| 4,171,133 A * | 10/1979 | Morrison et al. | | 446/289 |
| D273,215 S * | 3/1984 | Sahler | | D21/592 |
| D314,593 S * | 2/1991 | Crist et al. | | D21/592 |



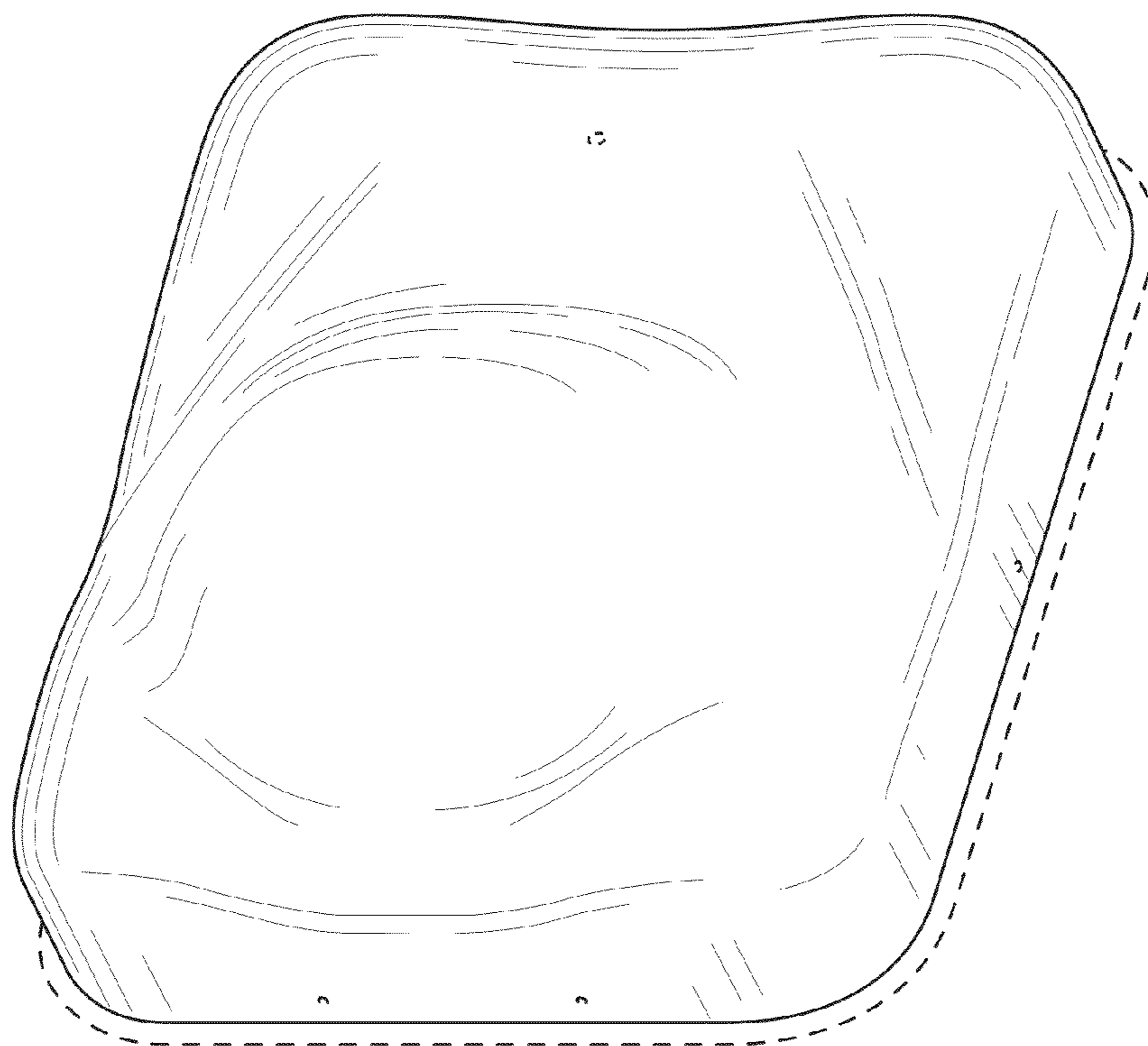


FIG. 1

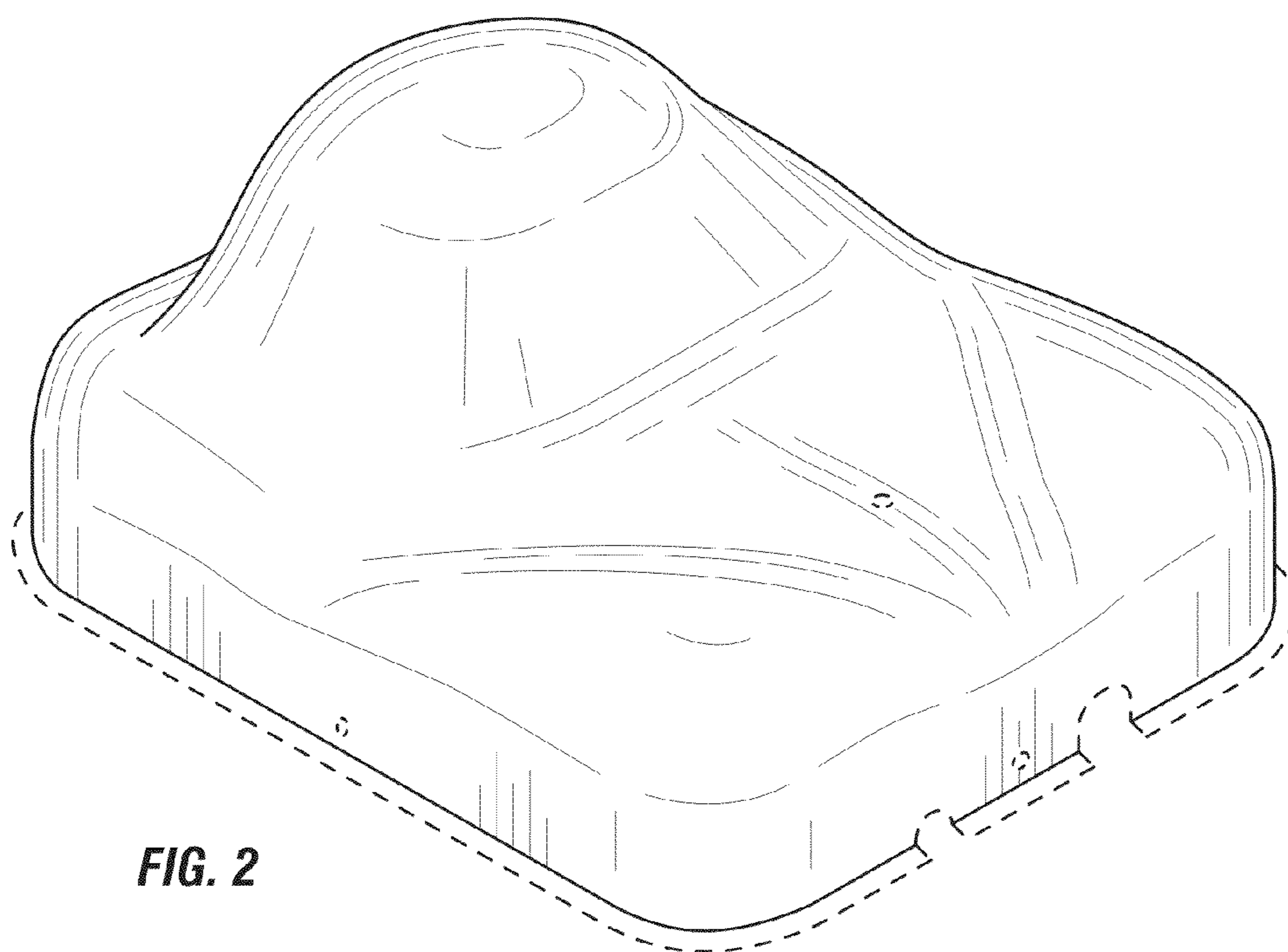


FIG. 2

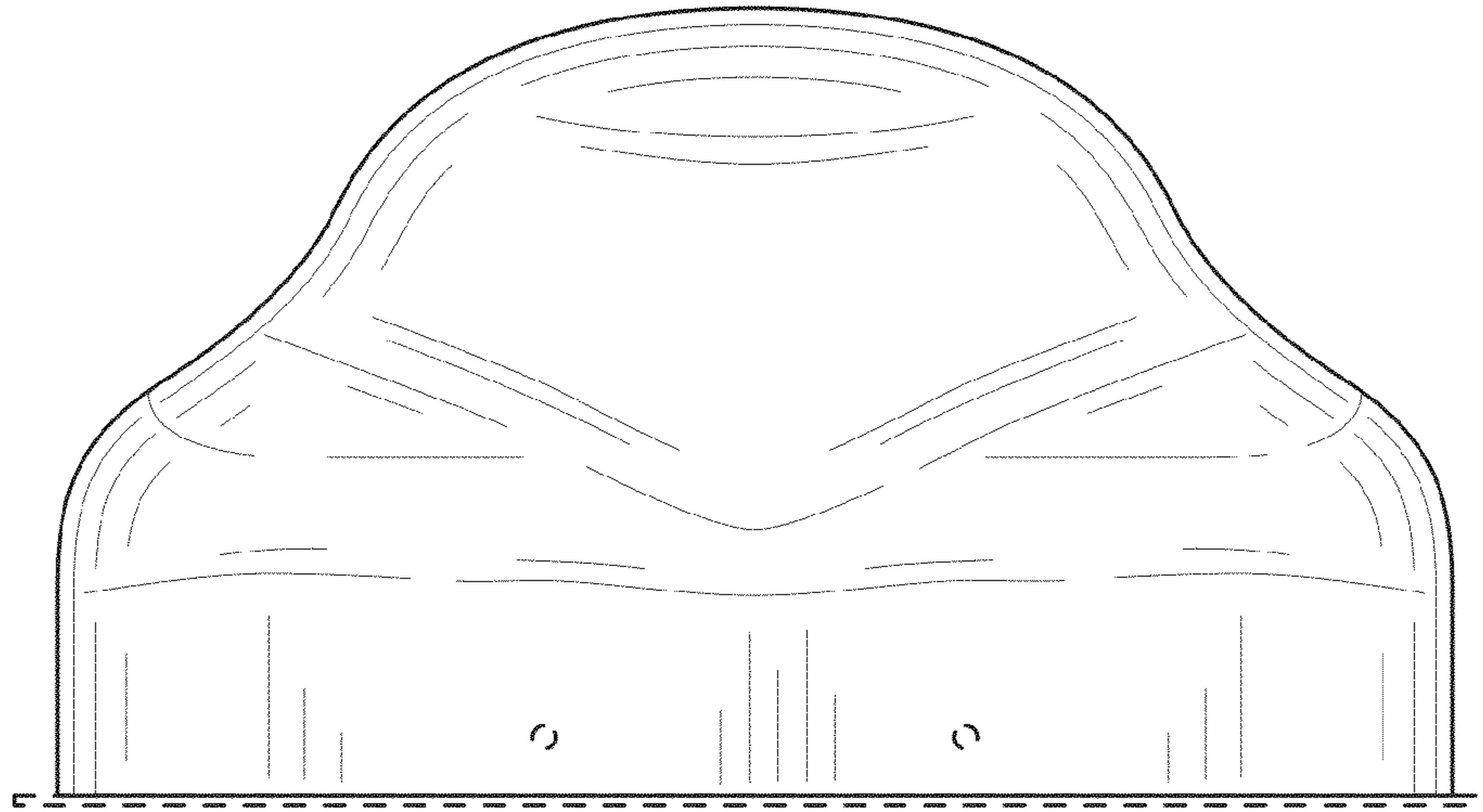


FIG. 3

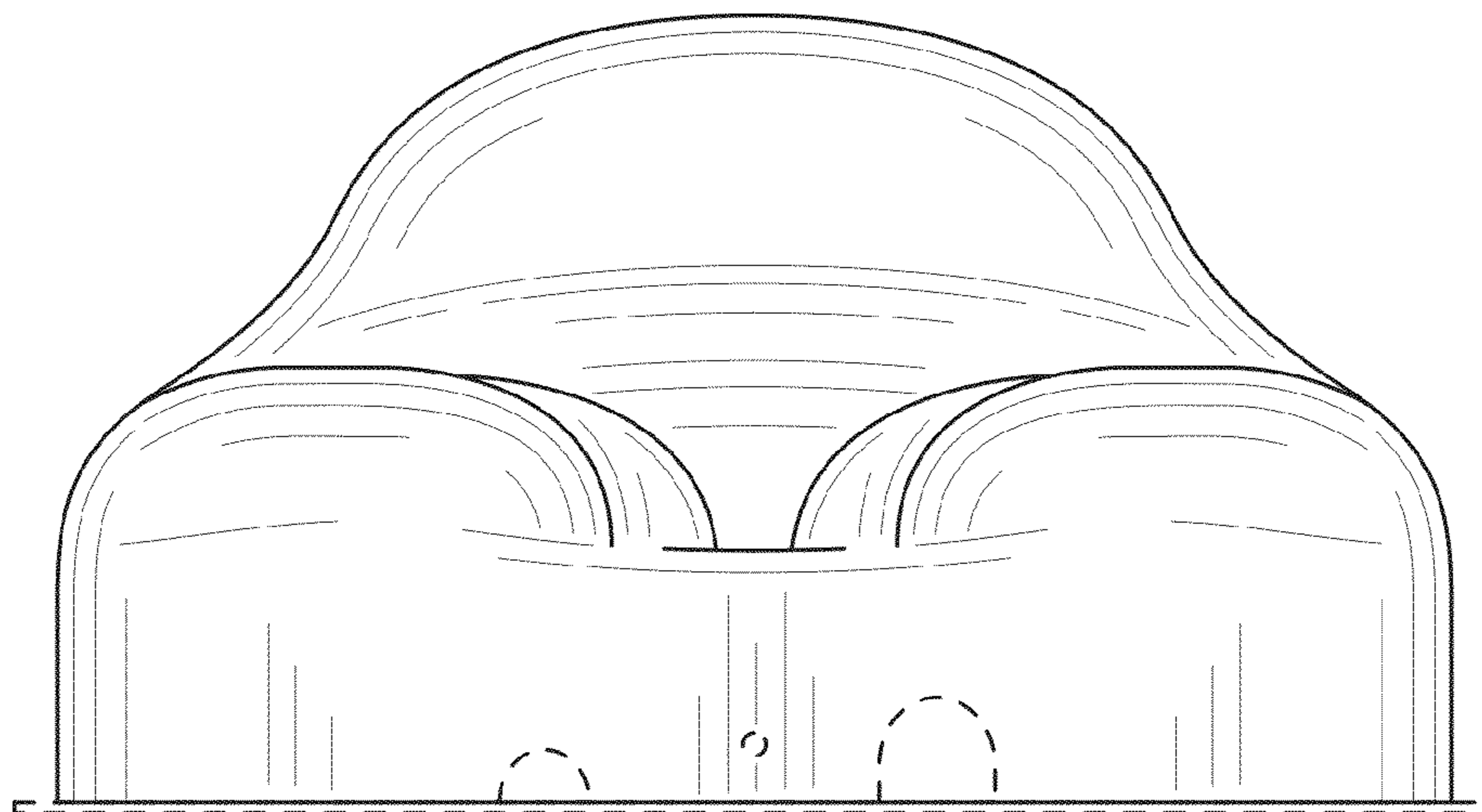


FIG. 4

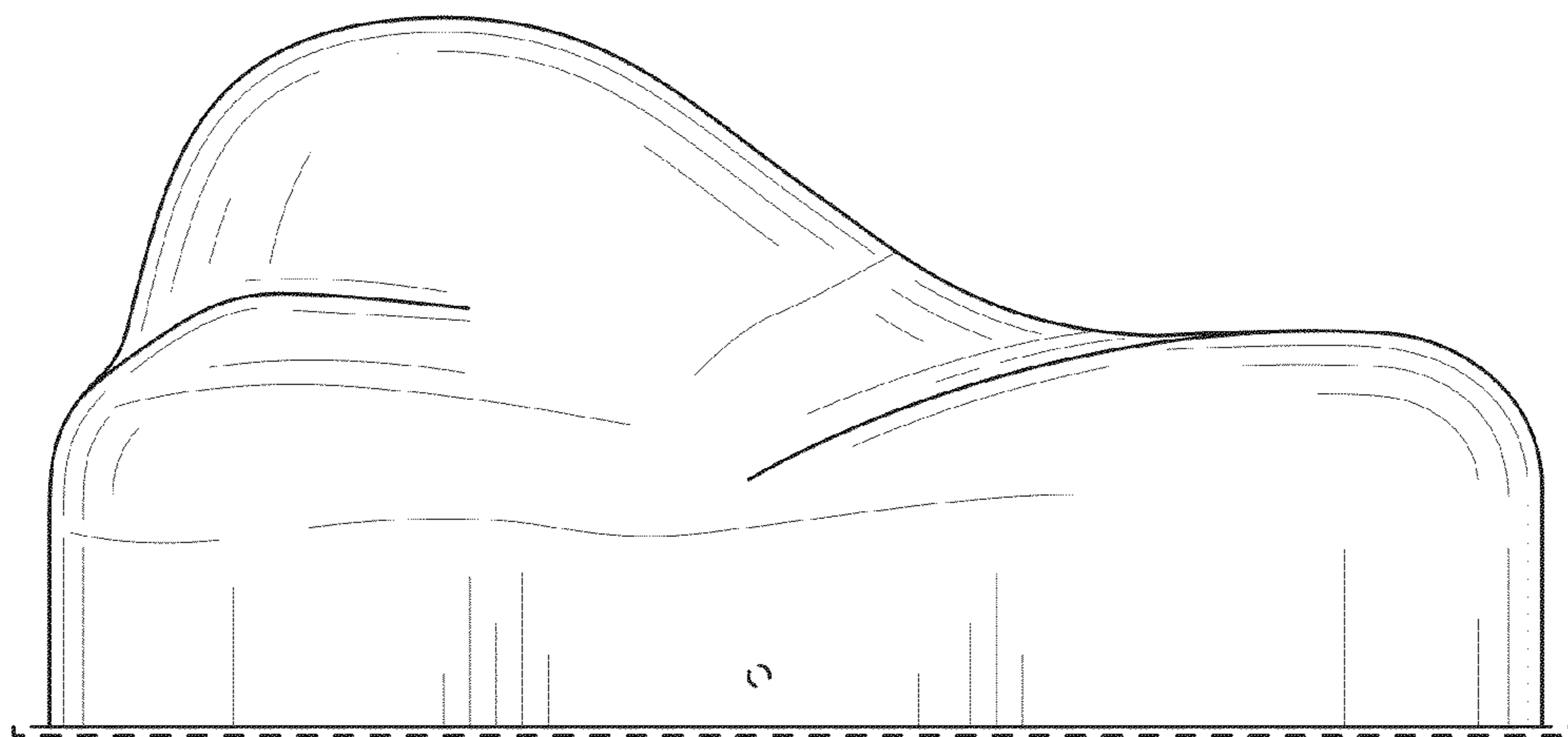


FIG. 5

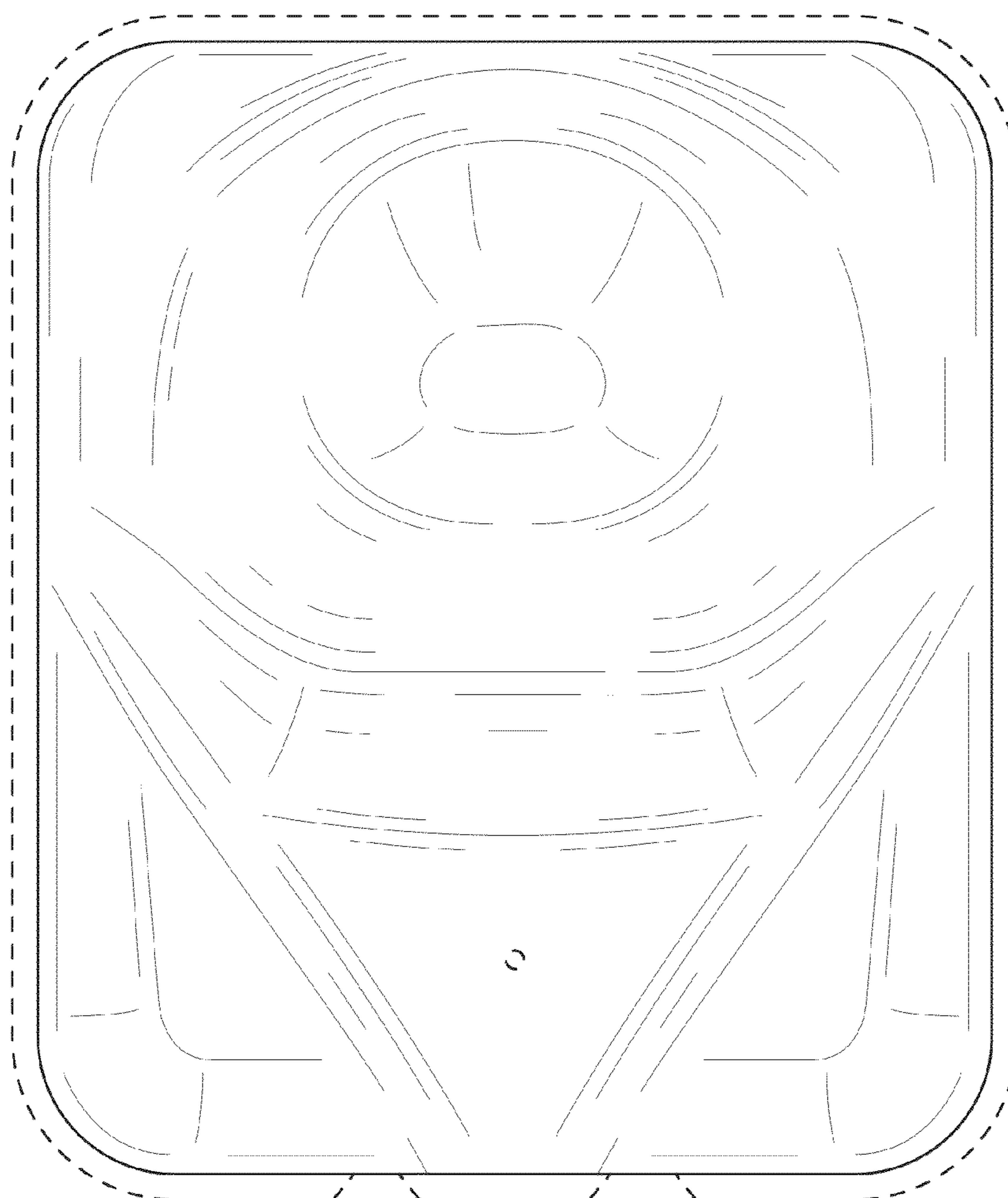


FIG. 6