



US00D716003S

(12) **United States Design Patent**
Brown

(10) **Patent No.:** **US D716,003 S**
(45) **Date of Patent:** **** Oct. 21, 2014**

(54) **BOWL COMPRISED OF A TOP BOWL,
MIDDLE INSERT, AND BOTTOM**

(76) Inventor: **Jeffrey Brown**, San Clemente, CA (US)

(**) Term: **14 Years**

(21) Appl. No.: **29/416,293**

(22) Filed: **Mar. 20, 2012**

(51) **LOC (10) Cl.** **30-30**

(52) **U.S. Cl.**
USPC **D30/129; D7/587**

(58) **Field of Classification Search**
USPC D7/501, 505, 538, 543, 545, 500, 590,
D7/360, 600.2, 553.6, 392.1, 601, 354,
D7/555, 557, 566, 620, 629, 552.1, 587,
D7/602, 361, 586, 562, 561, 560, 504, 565,
D7/539, 667; D9/743, 745, 643; 220/751,
220/23.4, 574; D3/306; D1/122; D30/130,
D30/129; 215/382, 400

See application file for complete search history.

(56) **References Cited**

U.S. PATENT DOCUMENTS

2,053,949	A *	9/1936	Emery	220/574
D244,216	S *	5/1977	Gerber	D30/129
4,798,173	A	1/1989	Wilgren	
D318,596	S *	7/1991	Watts	D7/505
5,088,301	A *	2/1992	Piepenbrink	62/457.6
D383,646	S *	9/1997	Jeppesen et al.	D7/584
6,230,653	B1	5/2001	Tobin	
D448,127	S *	9/2001	Zelinger	D30/129
D468,168	S *	1/2003	Gruenberg, Sr.	D7/667
D473,752	S *	4/2003	Kerr	D7/505
6,647,741	B2 *	11/2003	Pechous et al.	62/457.6
7,021,202	B2 *	4/2006	Sizer	99/415
D564,710	S *	3/2008	Modi et al.	D30/129
D568,102	S *	5/2008	Ruiz de Az a	D7/505

(Continued)

Primary Examiner — Cynthia Underwood

(74) *Attorney, Agent, or Firm* — Marc E. Hankin; Kevin Schraven; Jimmy Sauz

(57) **CLAIM**

I claim the ornamental design for a bowl comprised of a top bowl, middle insert, and bottom, as shown.

DESCRIPTION

This application claims priority from U.S. patent application Ser. No. 13/368,214, filed on Feb. 7, 2012, by Jeffrey Brown, entitled Pet Bowl, the contents of which are expressly incorporated herein by this reference as though set forth in its entirety.

FIG. 1 is an enlarged view of a front-perspective view of the bowl comprised of a top bowl, middle insert, and bottom;

FIG. 2 is a front-perspective exploded view of the bowl comprised of a top bowl, middle insert, and bottom;

FIG. 3 is an enlarged cross-sectional view of the bowl comprised of a top bowl, middle insert, and bottom taken along line 3-3 of FIG. 1;

FIG. 4 is a side elevational exploded view of the bowl comprised of a top bowl, middle insert, and bottom;

FIG. 5 is a top elevational view of the top bowl of the bowl comprised of a top bowl, middle insert, and bottom shown separated from the middle insert and bottom;

FIG. 6 is a bottom elevational view of the top bowl of the bowl comprised of a top bowl, middle insert, and bottom shown separated from the middle insert and bottom;

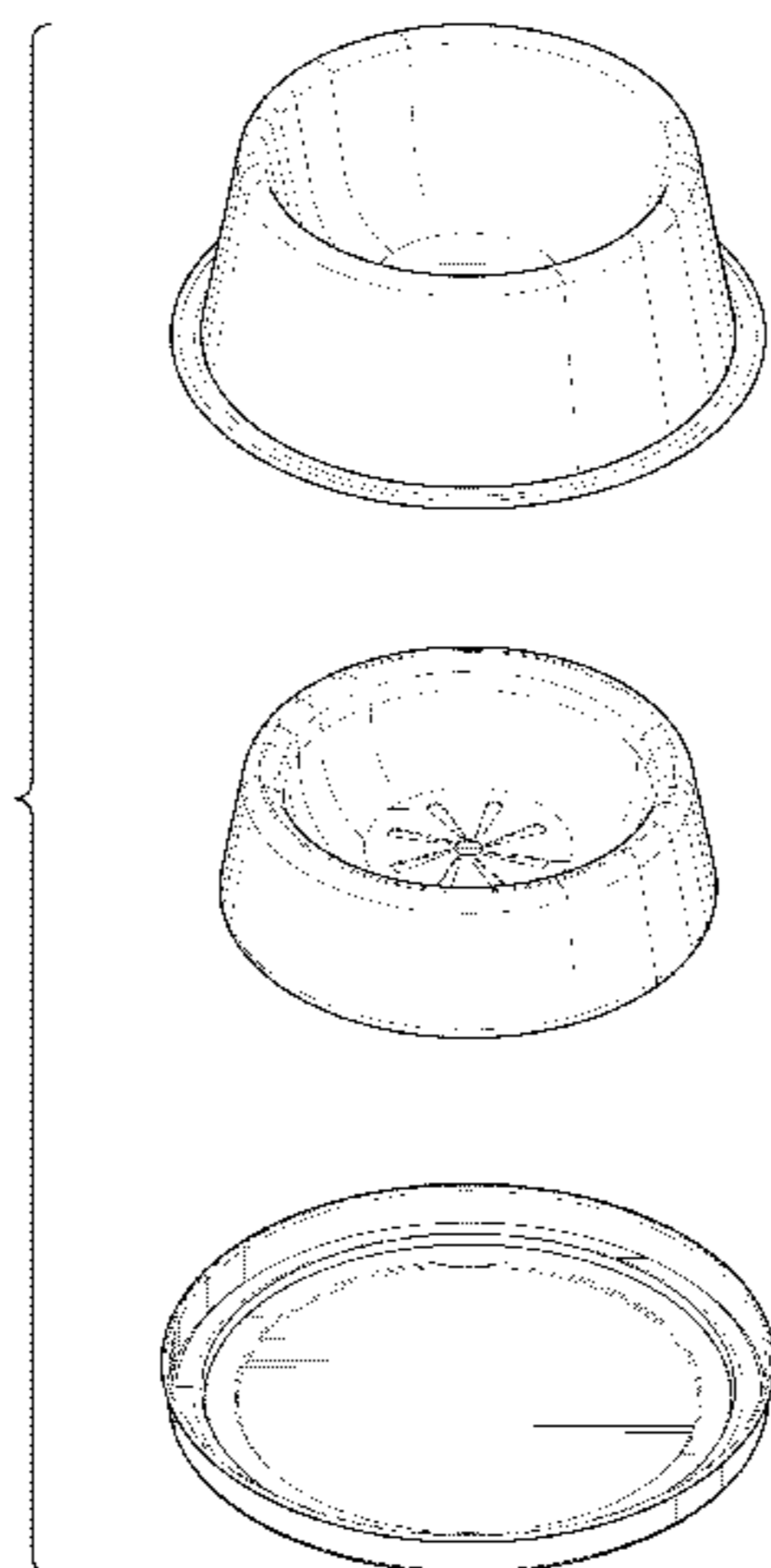
FIG. 7 is a top elevational view of the middle insert of the bowl comprised of a top bowl, middle insert, and bottom shown separated from the top bowl and bottom;

FIG. 8 is a bottom elevational view of the middle insert of the bowl comprised of a top bowl, middle insert, and bottom shown separated from the top bowl and bottom;

FIG. 9 is a top elevational view of the bottom of the bowl comprised of a top bowl, middle insert, and bottom shown separated from the top bowl and middle insert; and,

FIG. 10 is a bottom elevational view of the bottom of the bowl comprised of a top bowl, middle insert, and bottom shown separated from the top bowl and middle insert.

1 Claim, 7 Drawing Sheets



US D716,003 S

Page 2

(56)

References Cited

U.S. PATENT DOCUMENTS

7,380,412 B2 *	6/2008	Roth et al.	62/457.2	8,006,513 B2 *	8/2011	Roth et al.	62/457.2
D590,551 S *	4/2009	Sperbeck	D30/129	8,011,205 B2 *	9/2011	Roth et al.	62/457.6
D626,791 S *	11/2010	Sierra	D7/587	D653,917 S *	2/2012	Ehrenhaus	D7/667
					D659,296 S *	5/2012	Anderson	D30/129
					8,720,223 B2 *	5/2014	Roth et al.	62/457.6

* cited by examiner

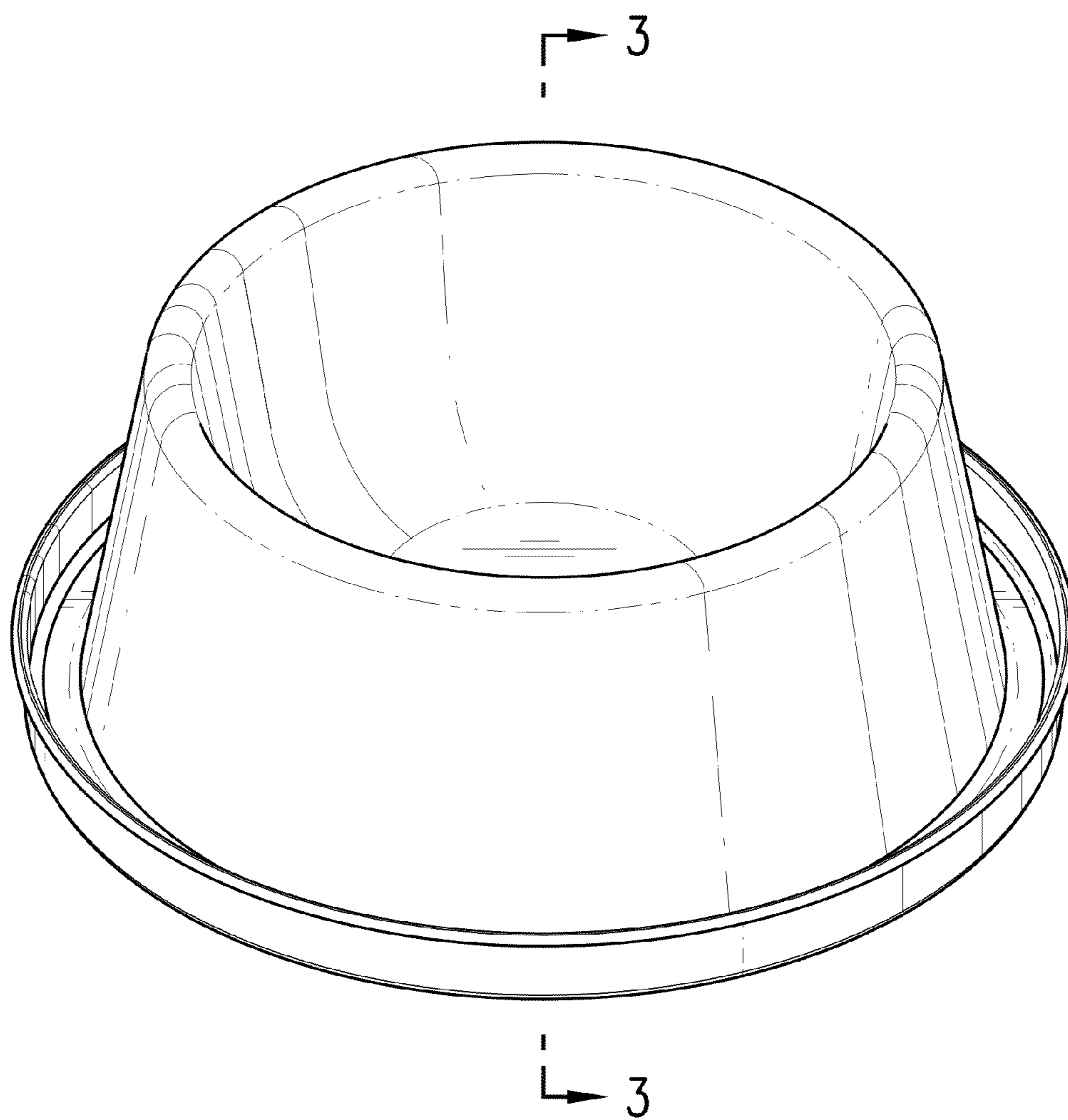


FIG. 1

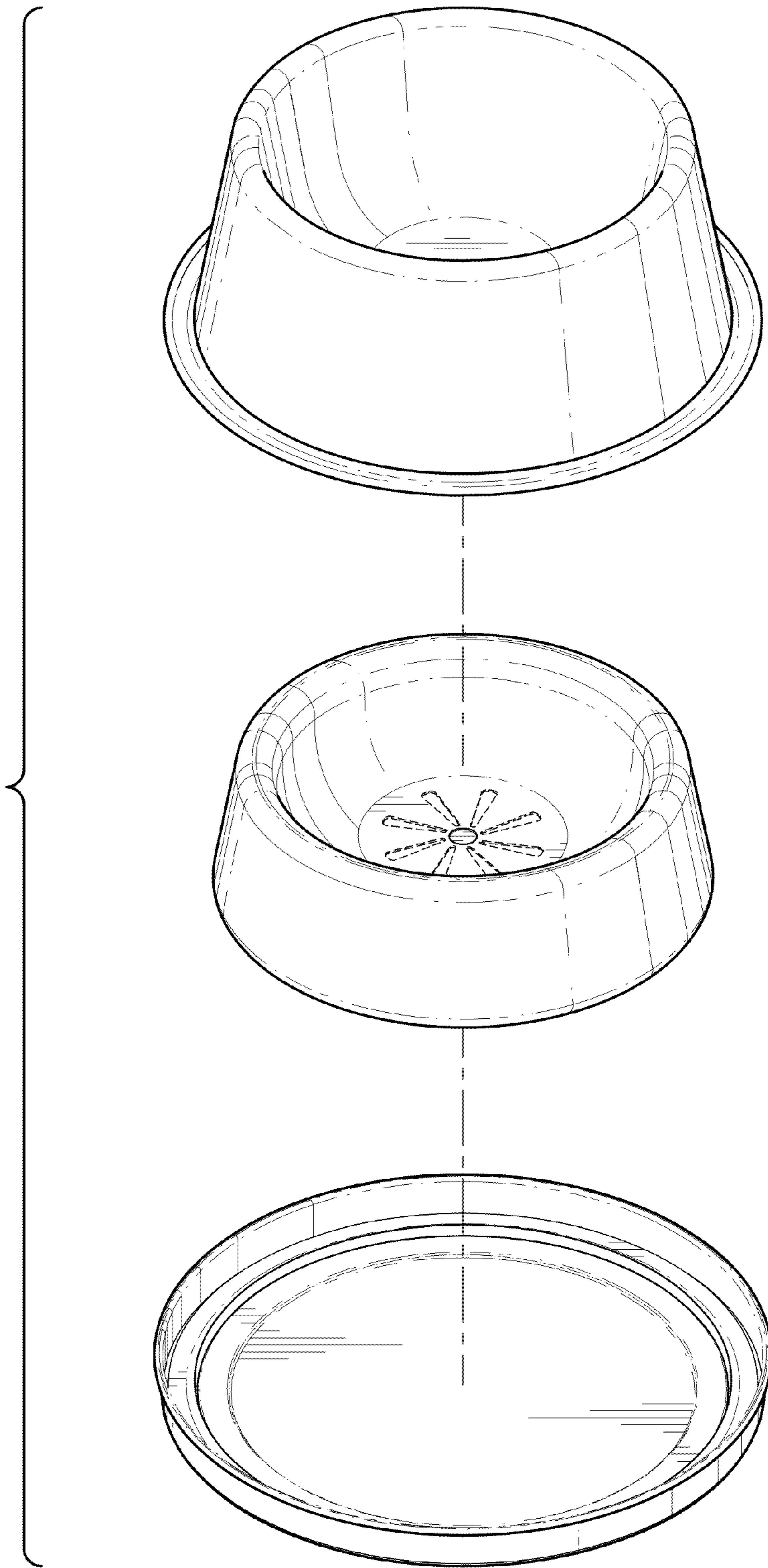


FIG. 2

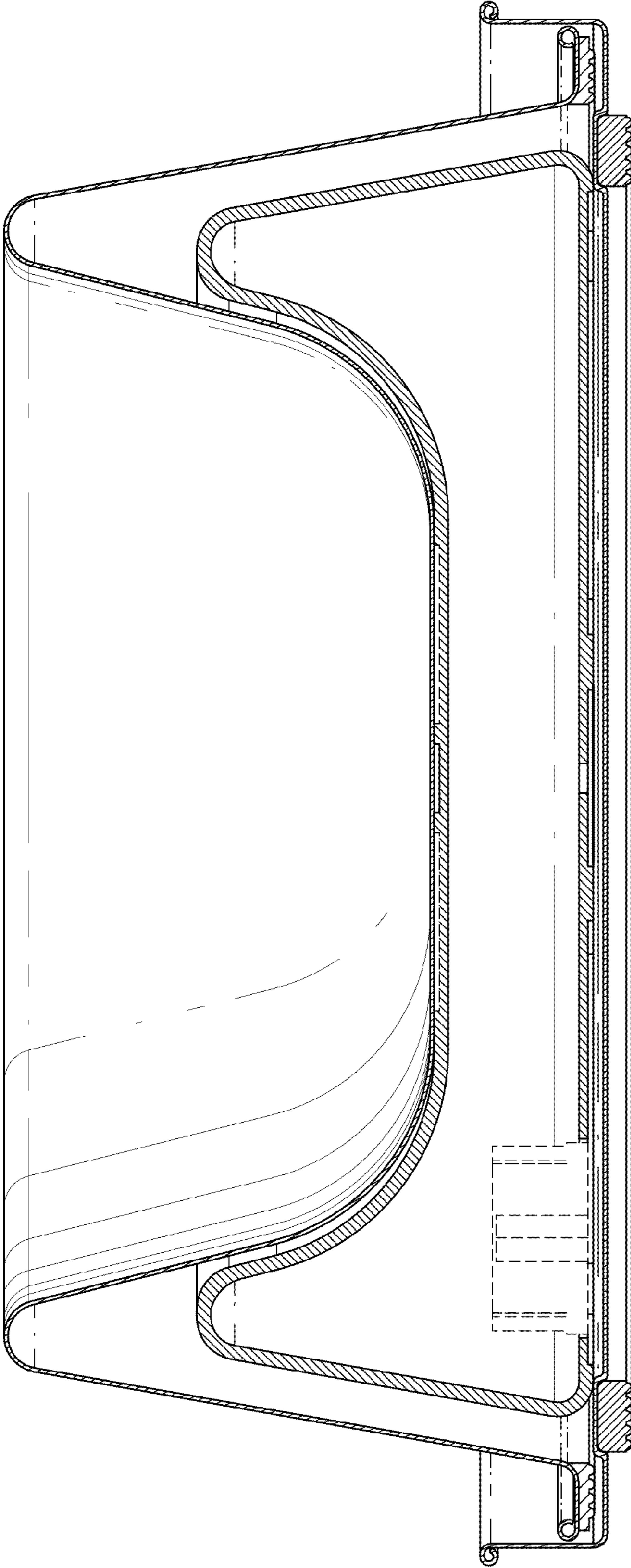


FIG. 3

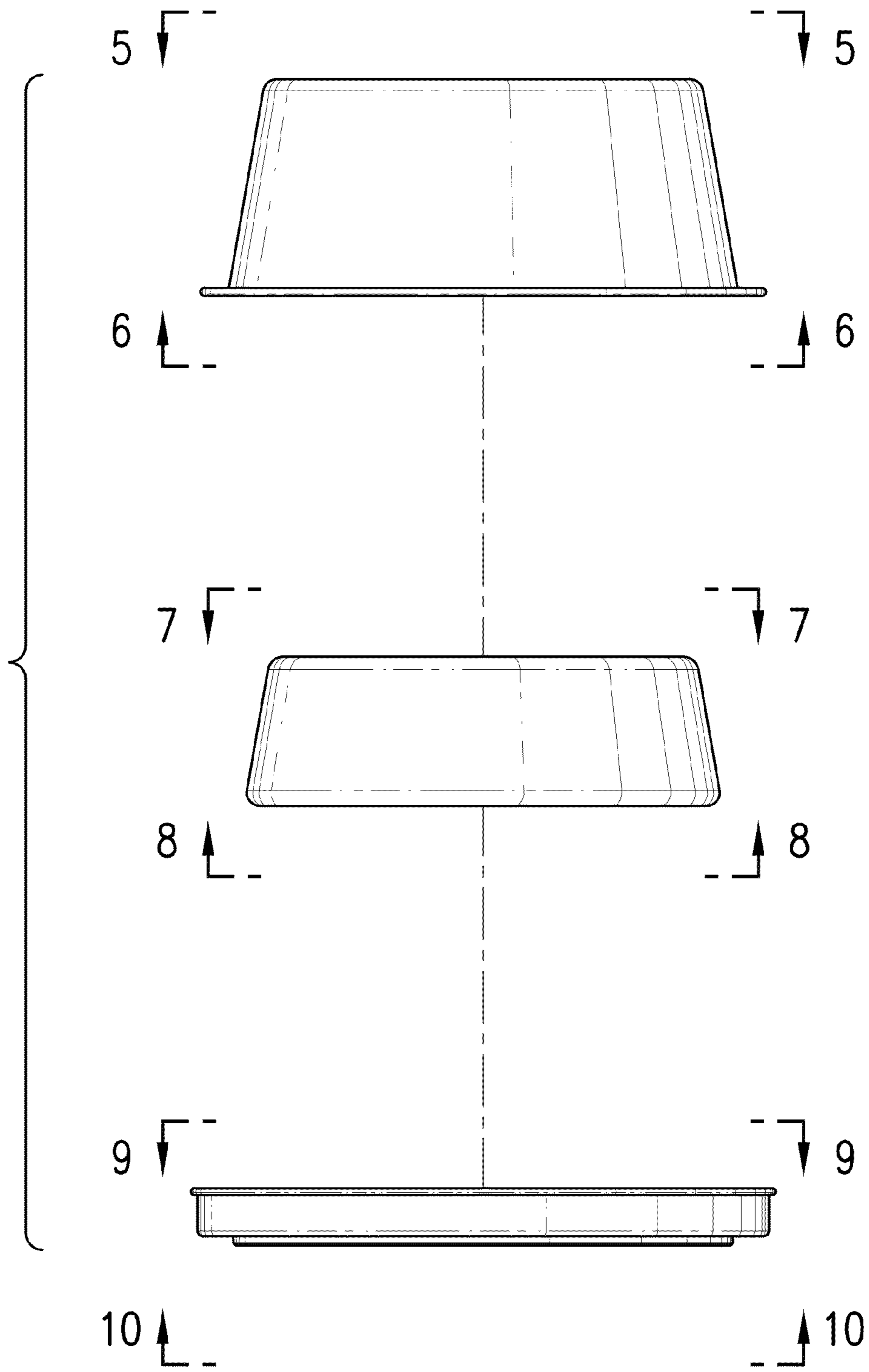


FIG. 4

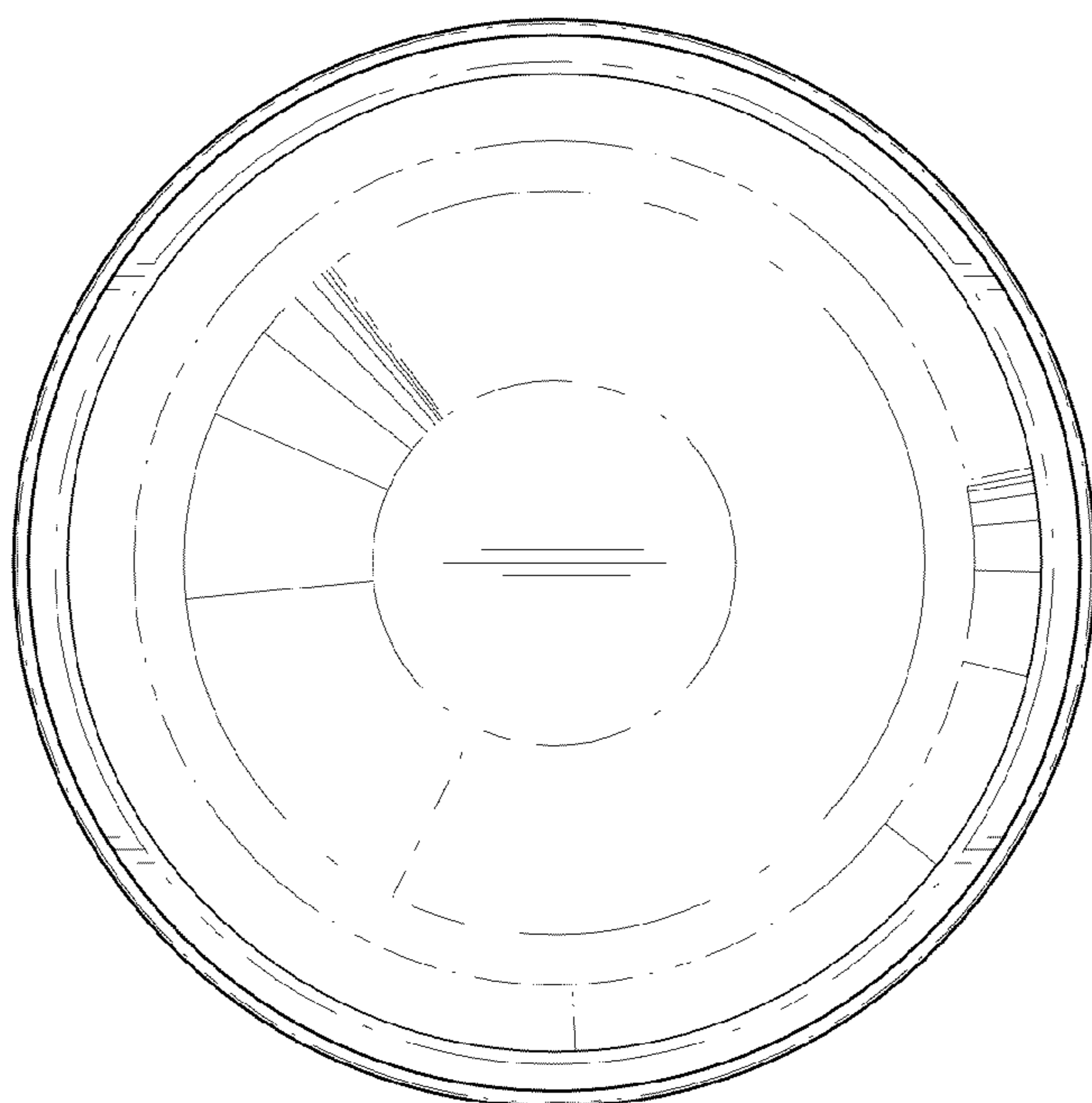


FIG. 5

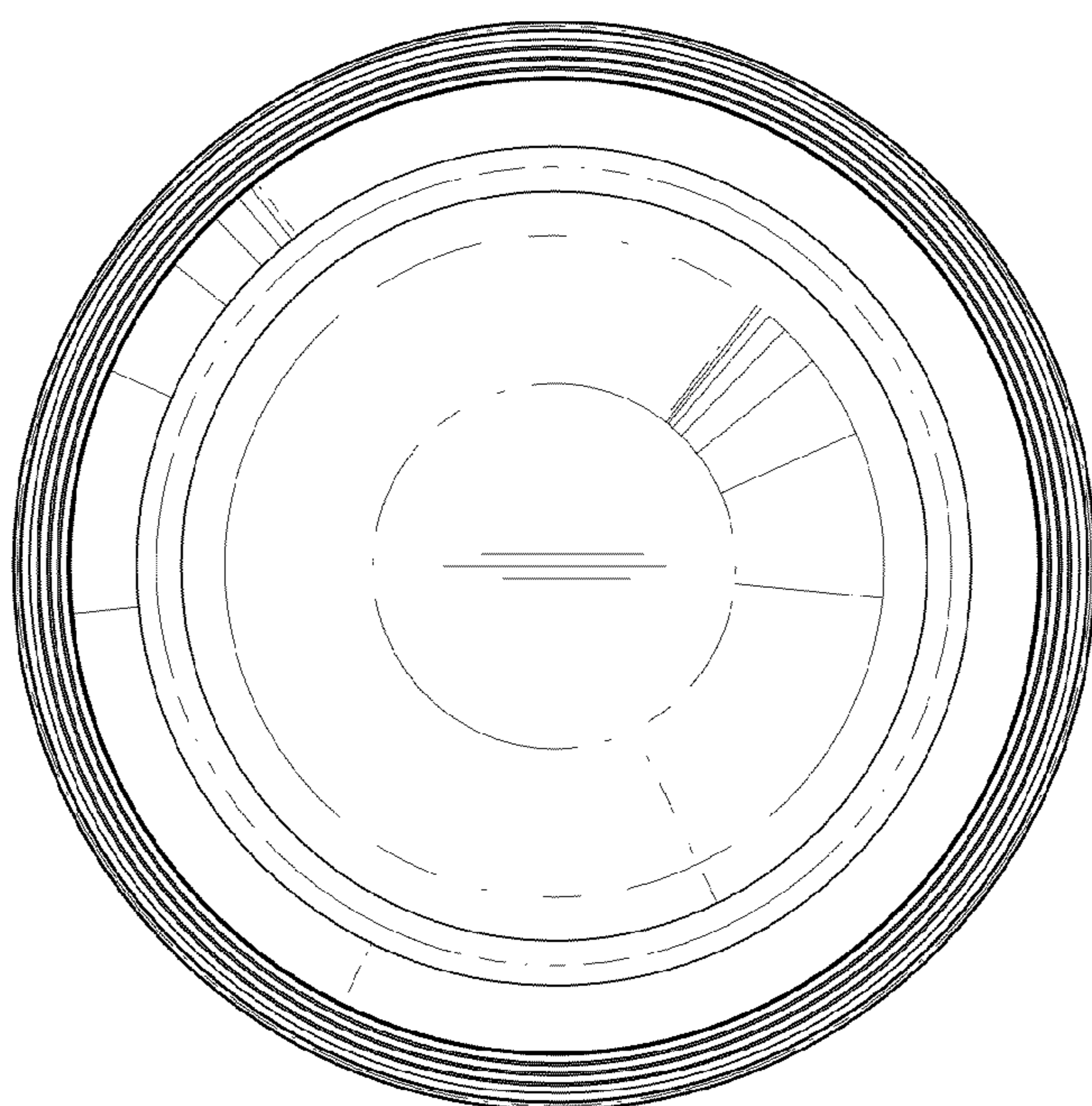


FIG. 6

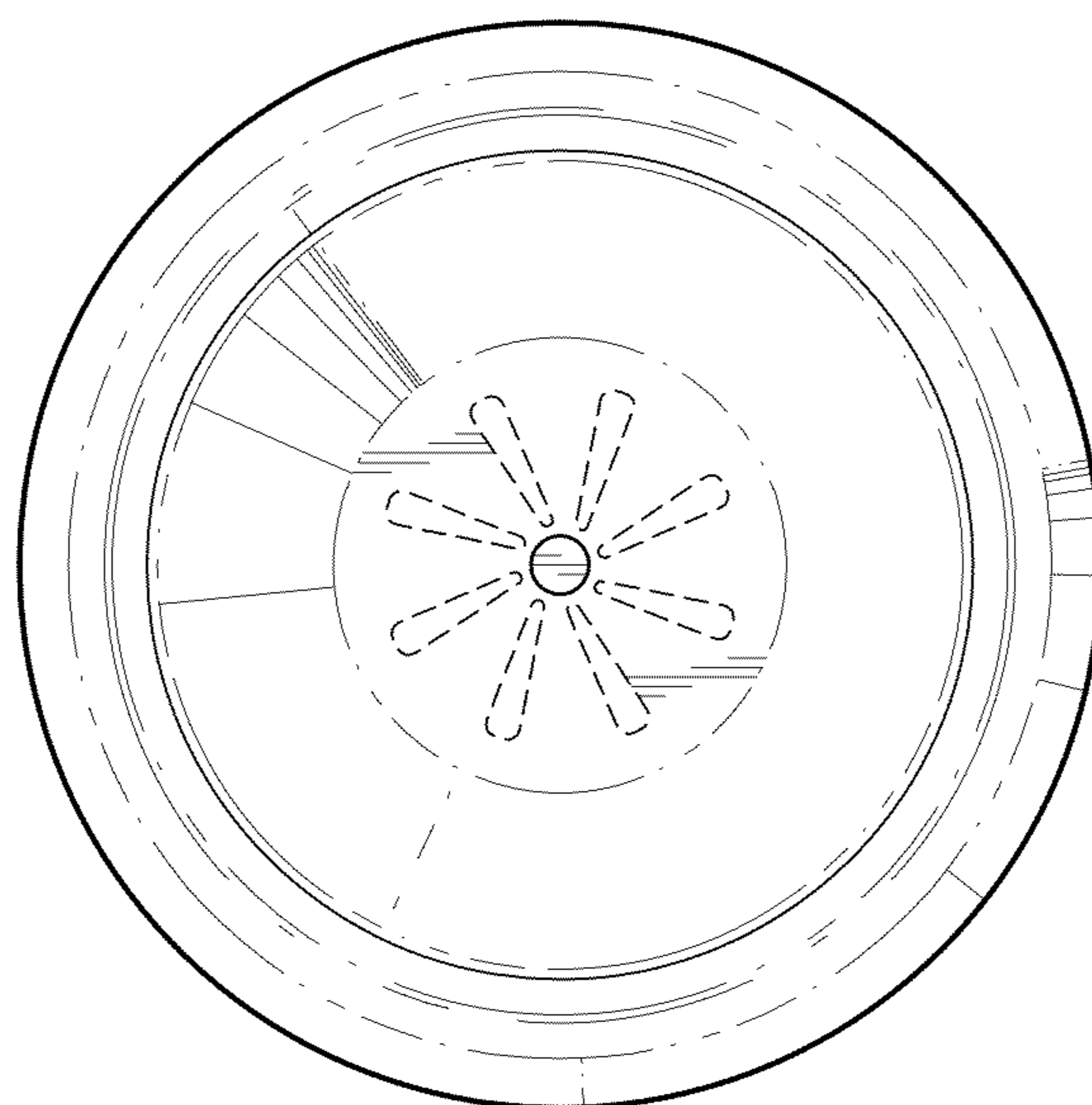


FIG. 7

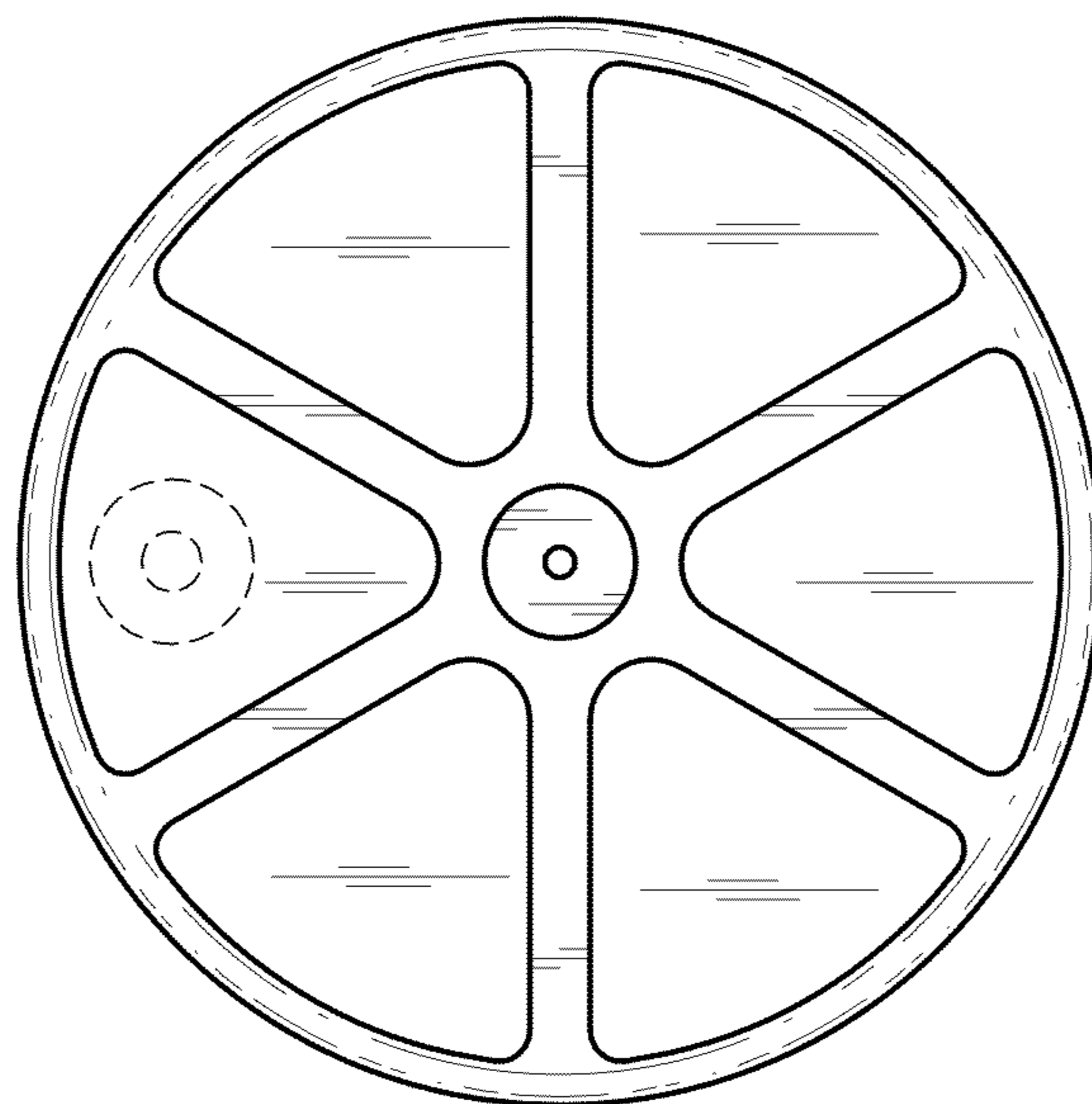


FIG. 8

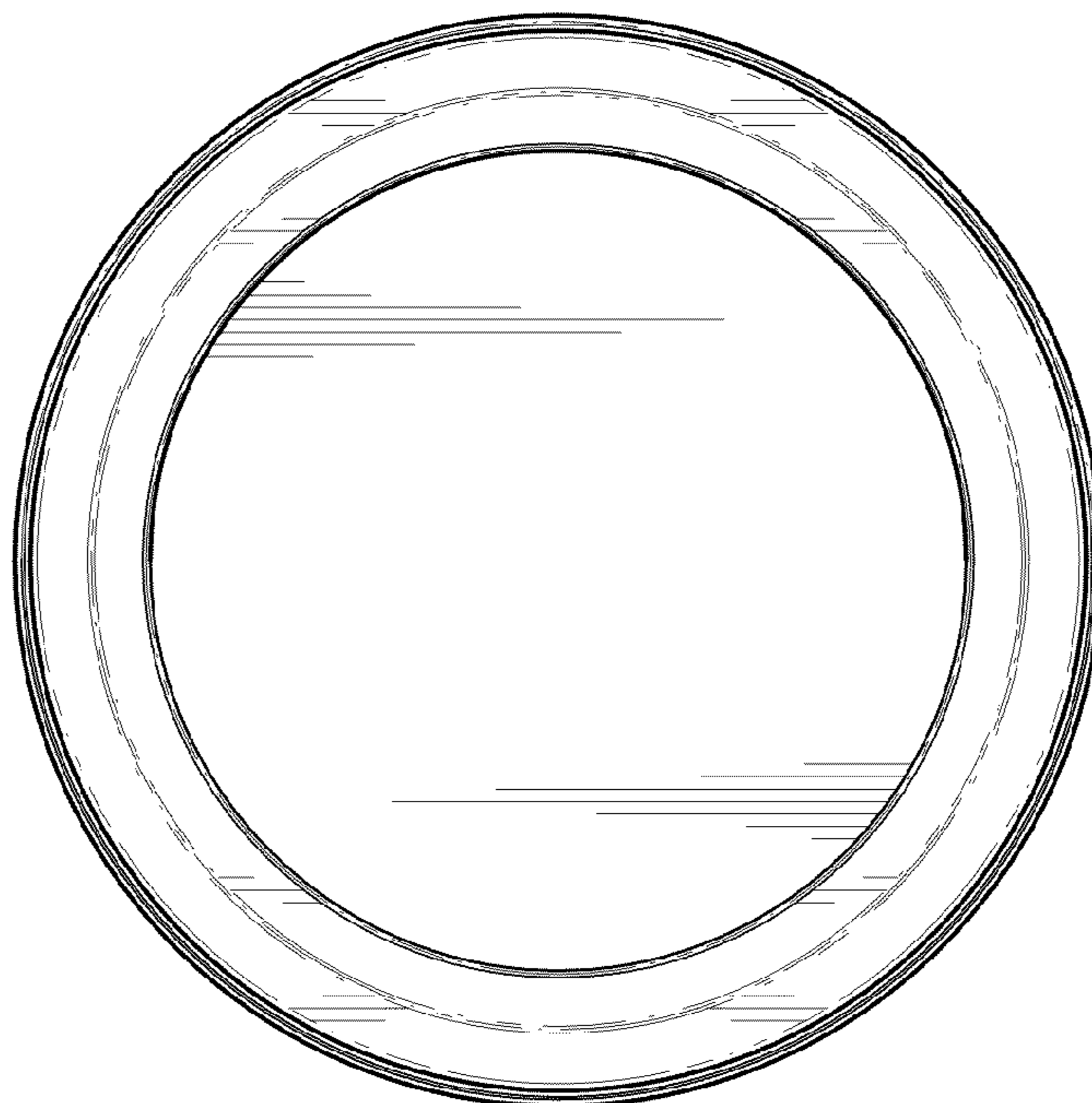


FIG. 9

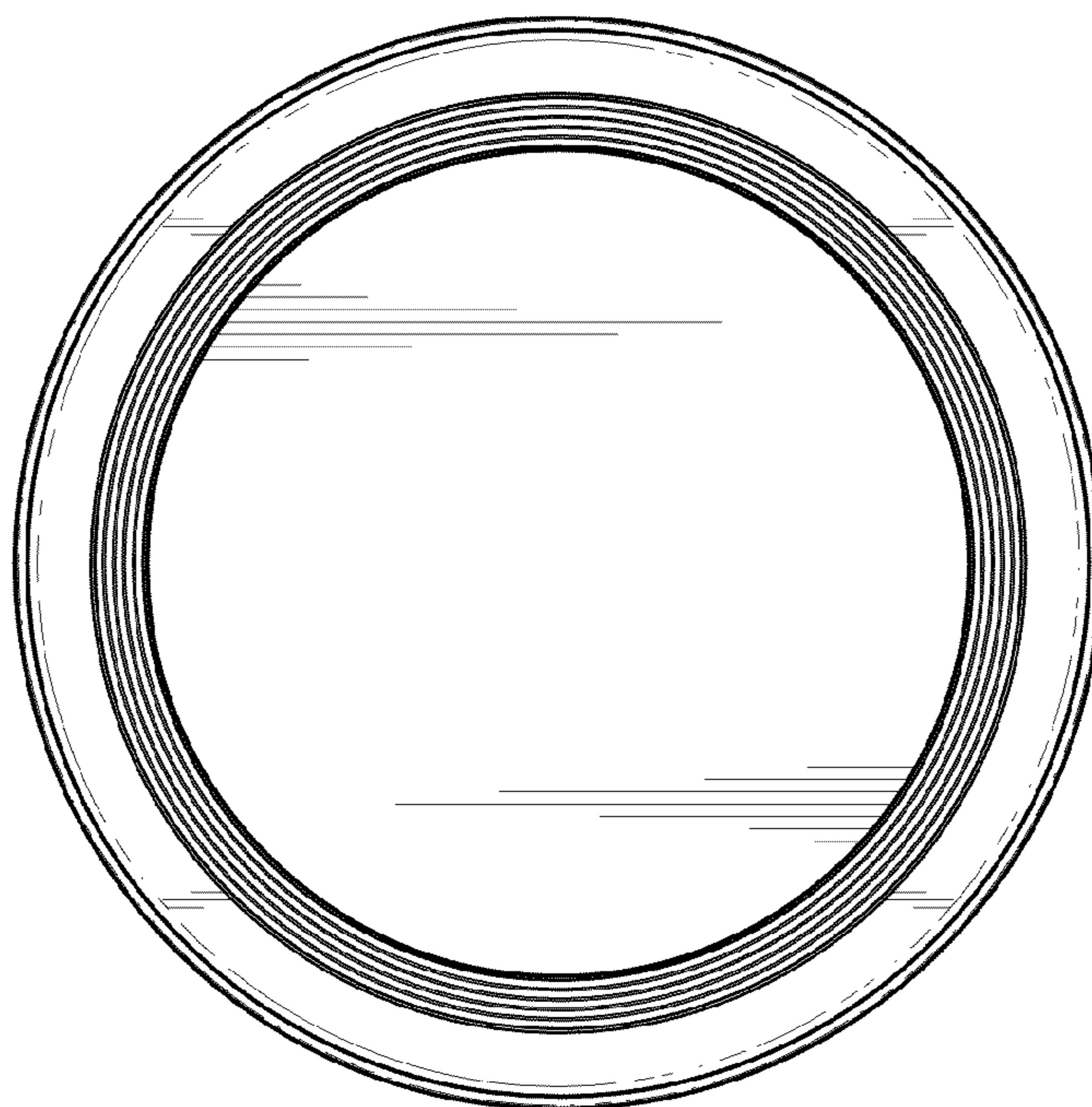


FIG. 10